



US00D804842S

(12) **United States Design Patent**
Guichard

(10) **Patent No.:** **US D804,842 S**

(45) **Date of Patent:** **** Dec. 12, 2017**

(54) **CHAIR**

(71) Applicant: **REVOLOGY SA**, Luxembourg (LU)

(72) Inventor: **Alexandre Guichard**, La Chapelle du Mont du Chat (FR)

(73) Assignee: **REVOLOGY SA**, Luxembourg (LU)

(**) Term: **15 Years**

(21) Appl. No.: **29/574,491**

(22) Filed: **Aug. 16, 2016**

(51) **LOC (10) Cl.** **06-01**

(52) **U.S. Cl.**
USPC **D6/380**

(58) **Field of Classification Search**
USPC D6/334-336, 374, 375, 376, 379, 380,
D6/716, 716.1, 716.2, 716.3, 716.4
CPC A47C 3/04; A47C 4/02; A47C 4/03; A47C
5/04; A47C 5/06; A47C 7/54
See application file for complete search history.

(56) **References Cited**

U.S. PATENT DOCUMENTS

D144,991 S *	6/1946	Spence	297/297
D149,652 S *	5/1948	Kipp	D6/372
D169,930 S *	6/1953	Chapman	D6/374
D233,101 S *	10/1974	Kaboda	D6/380
D363,829 S *	11/1995	Berlic	D6/374
D367,370 S *	2/1996	Berry, Jr.	D6/374
D374,131 S *	10/1996	Muller	D6/380
D386,912 S *	12/1997	Diaz-Azcuy	D6/369
D411,694 S *	6/1999	Bartlmae	D6/380
D429,911 S *	8/2000	Bartlmae	D6/380
D448,190 S *	9/2001	Chang	D6/374
D469,969 S *	2/2003	Glass	D6/374
D515,330 S *	2/2006	Lucci	D6/380

D543,718 S *	6/2007	Muller	D6/380
D544,229 S *	6/2007	Bartlmae	D6/374
D544,236 S *	6/2007	Swy	D6/374
D590,620 S *	4/2009	Ziliani	D6/374
D616,660 S *	6/2010	Kubryk	D6/380
D651,019 S *	12/2011	Ciani	D6/380
D673,787 S *	1/2013	Bartlmae	D6/380
D674,208 S *	1/2013	Bartlmae	D6/370
D699,459 S *	2/2014	Manea	D6/370
D716,566 S *	11/2014	Harrison	D6/334
D724,342 S *	3/2015	Pesso	D6/374
D753,407 S *	4/2016	Kubryk	D6/380
D787,218 S *	5/2017	Barcelo	D6/380

OTHER PUBLICATIONS

Revology website, The chair, Apr. 16, 2016, <http://revology.com/the-chair/>.*

* cited by examiner

Primary Examiner — David G Muller
Assistant Examiner — Nathan M Johnston
(74) *Attorney, Agent, or Firm* — Im IP Law; C. Andrew Im

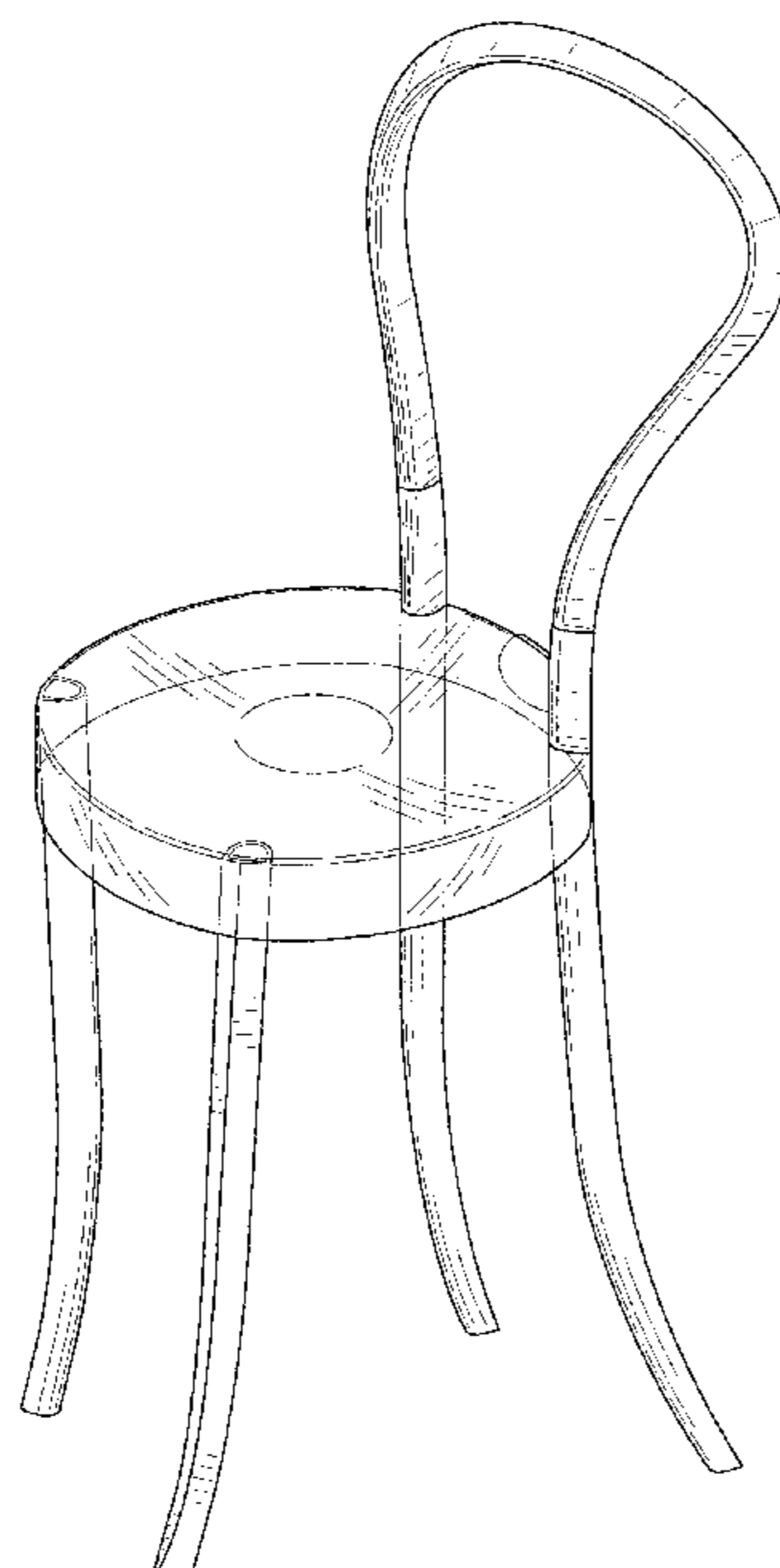
(57) **CLAIM**

The ornamental design for a chair, as shown and described.

DESCRIPTION

FIG. 1 is a front perspective view of a chair showing my new design;
FIG. 2 is a front elevation view thereof;
FIG. 3 is a rear elevation view air thereof;
FIG. 4 is a left side elevation view thereof;
FIG. 5 is a right side elevation view thereof;
FIG. 6 is a top plan view thereof; and,
FIG. 7 is a bottom plan view thereof.

1 Claim, 6 Drawing Sheets



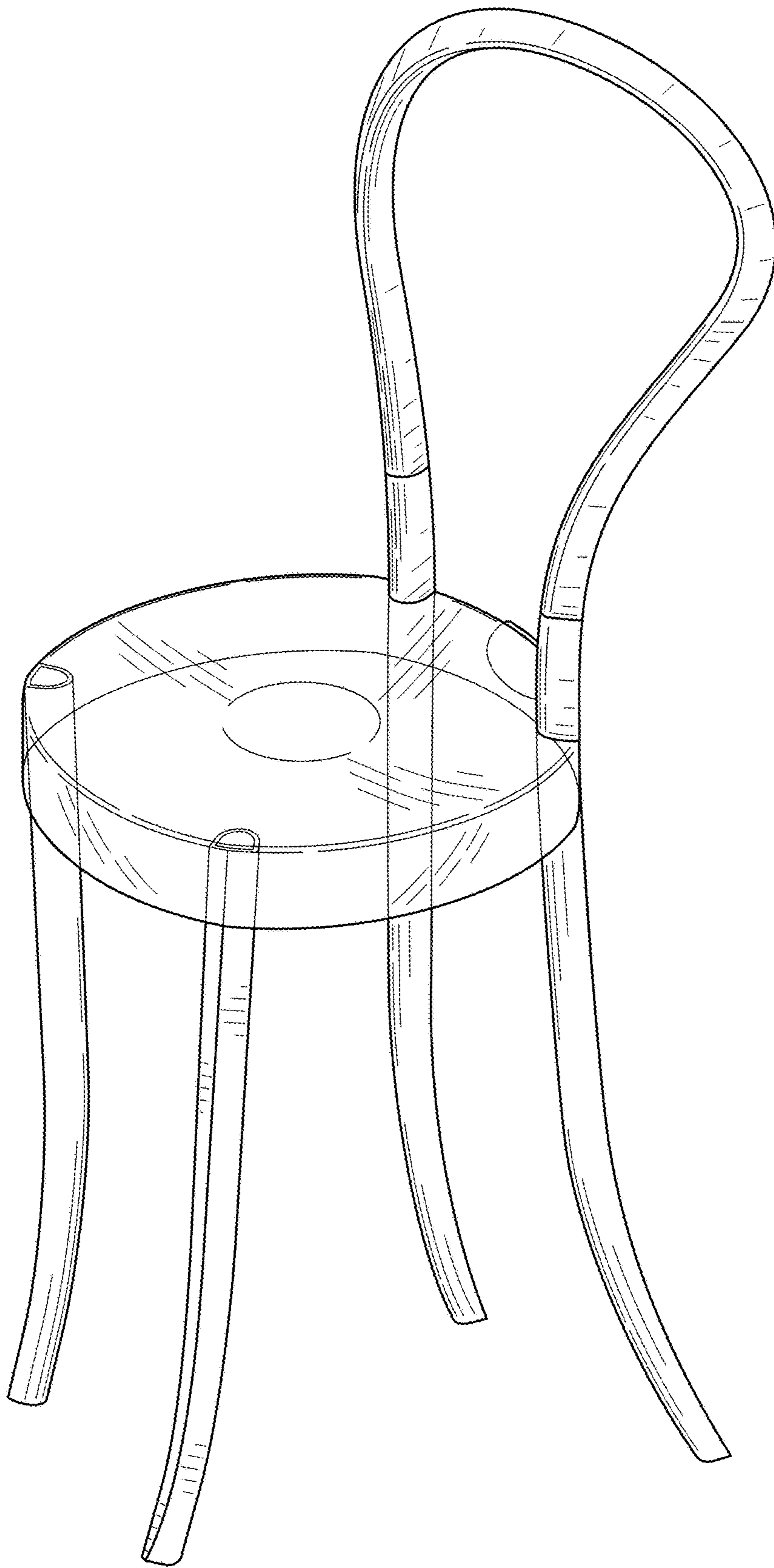


FIG. 1

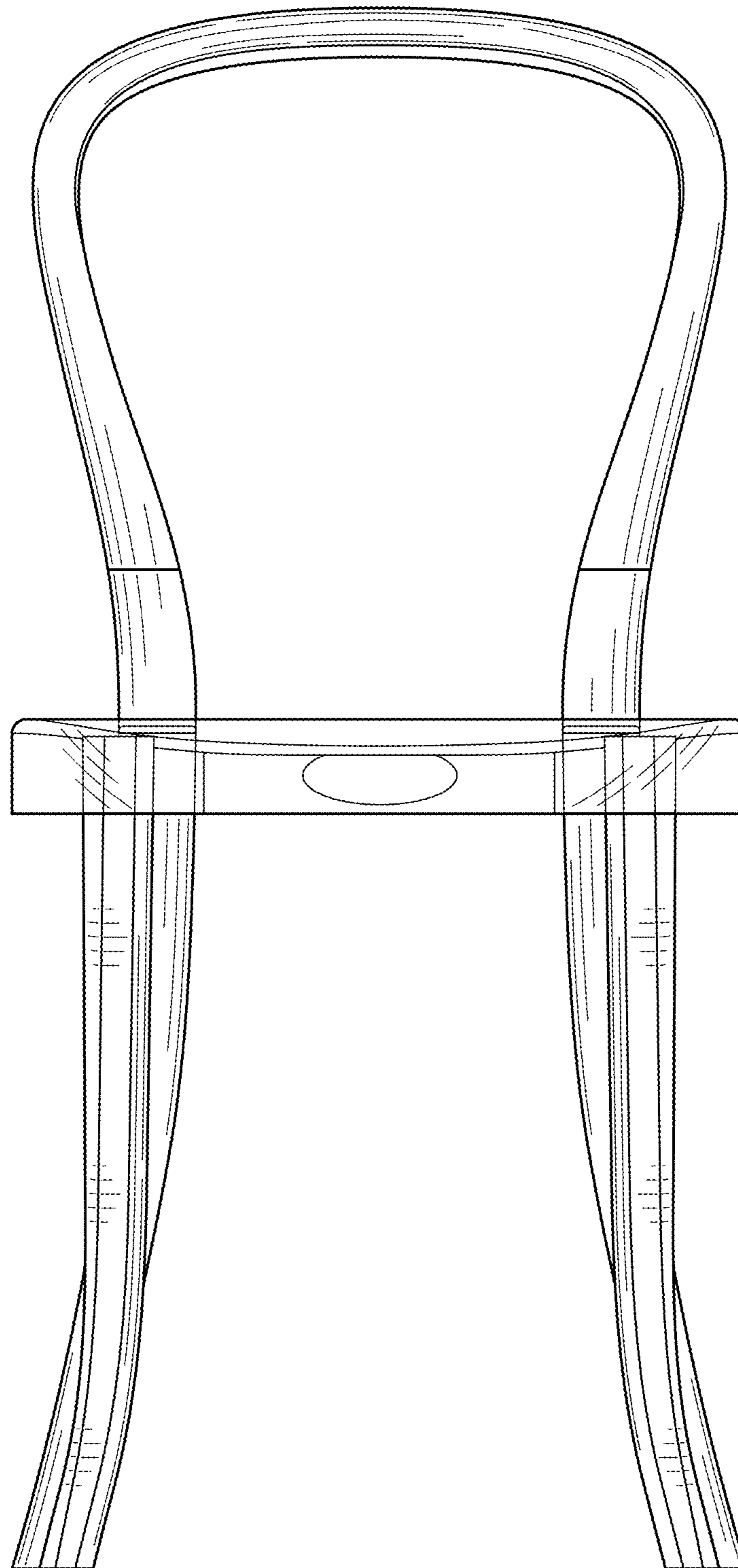


FIG. 2

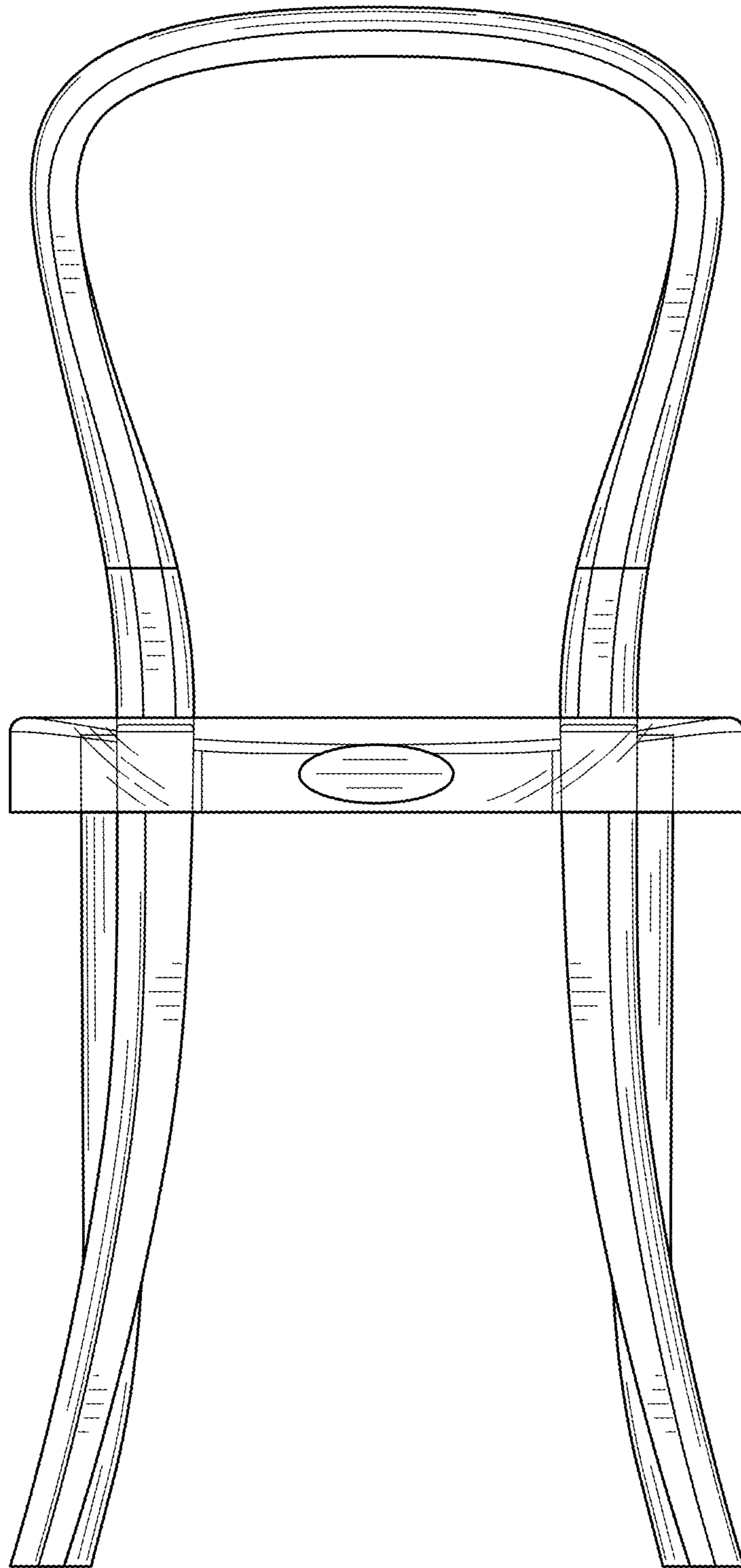


FIG. 3

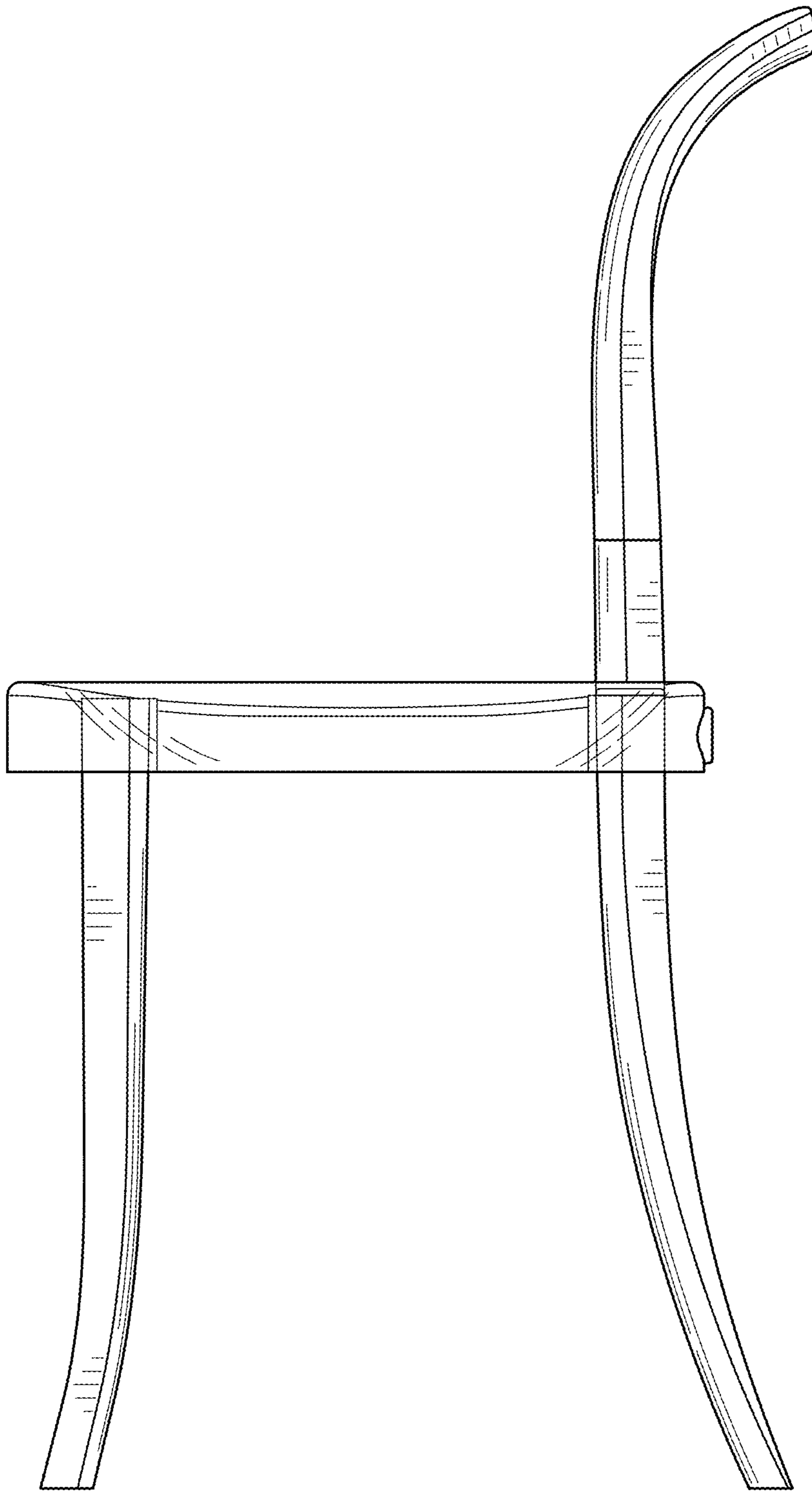


FIG. 4

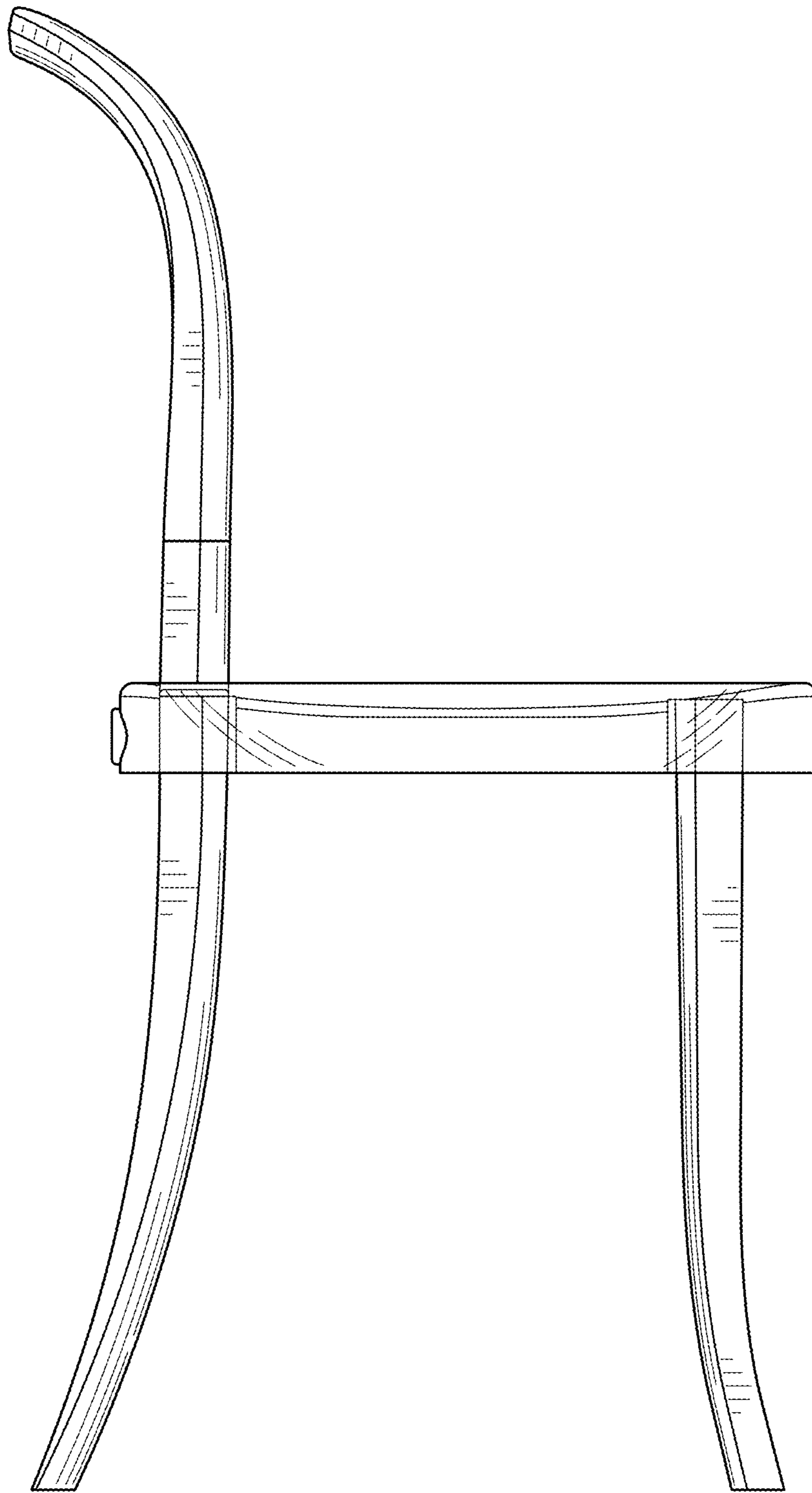


FIG. 5

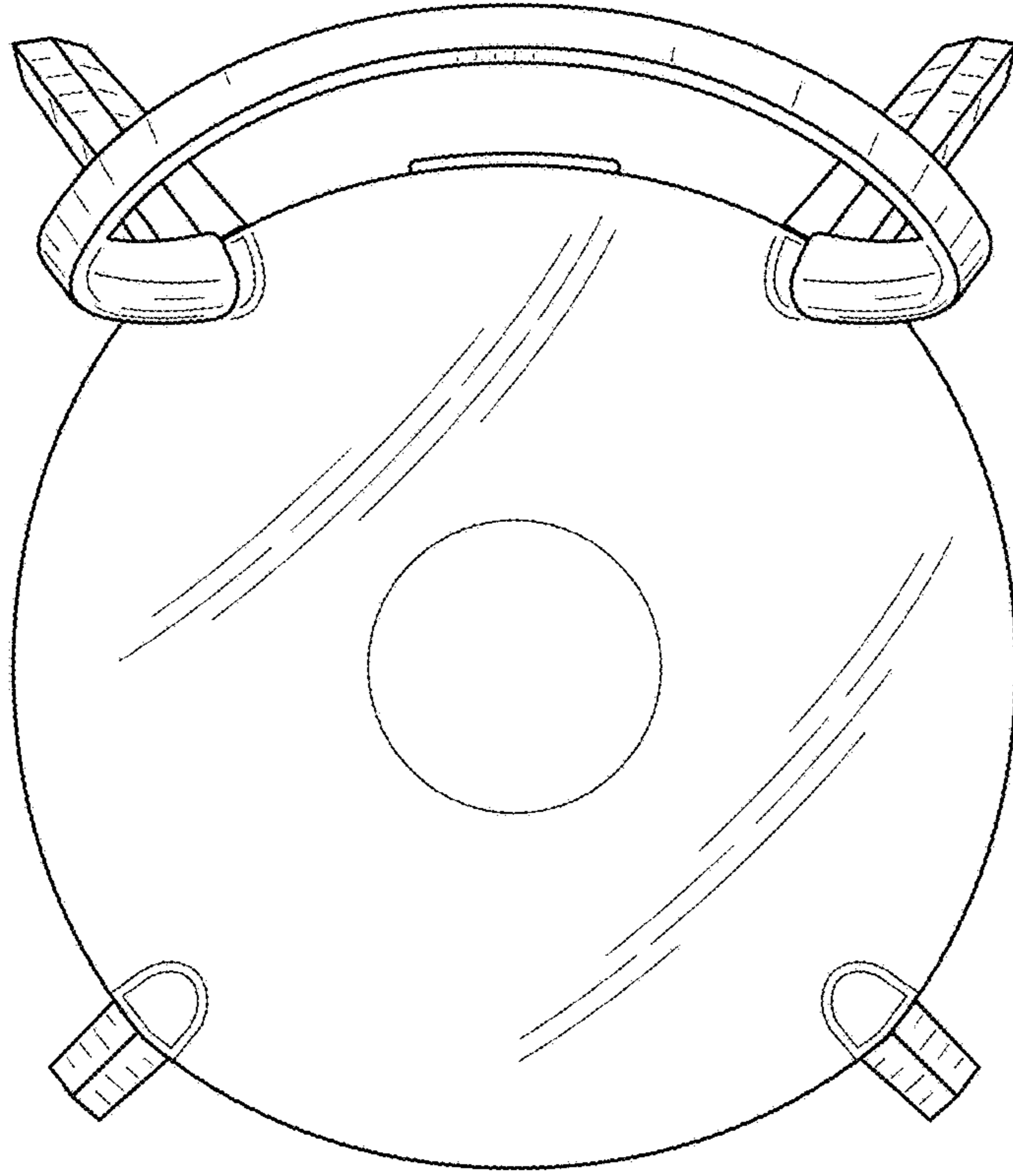


FIG. 6

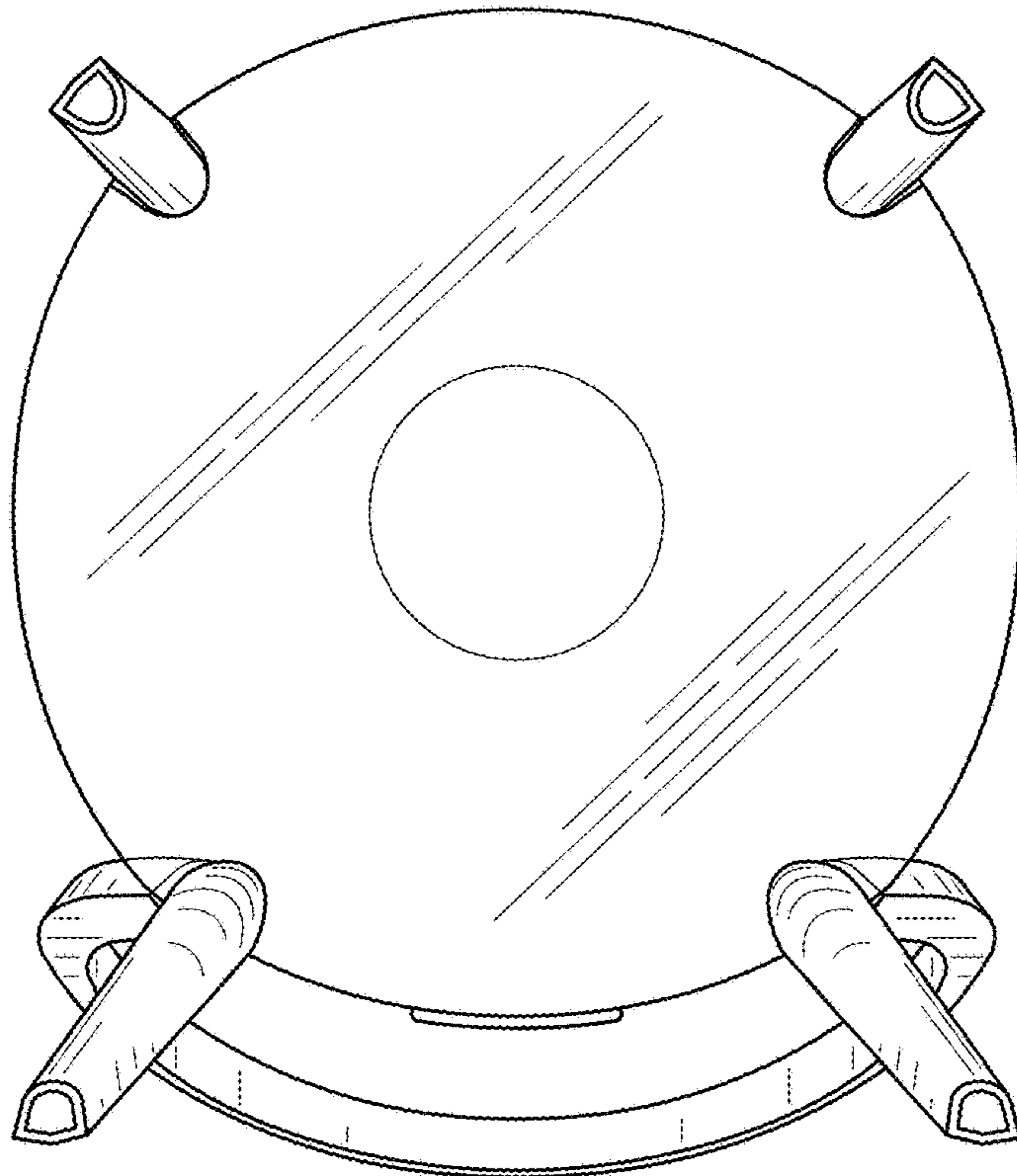


FIG. 7