

US00D804840S

(12) **United States Design Patent** (10) **Patent No.:** **US D804,840 S**  
**Ludwig et al.** (45) **Date of Patent:** **\*\* Dec. 12, 2017**

(54) **CHAIR**  
 (71) Applicant: **Steelcase Inc.**, Grand Rapids, MI (US)  
 (72) Inventors: **James Nolan Ludwig**, Grand Rapids, MI (US); **Bruce Michael Smith**, East Grand Rapids, MI (US); **Mark William Spoelhof**, Grand Rapids, MI (US); **Kurt Heidmann**, Grand Rapids, MI (US); **Nickolaus William Charles Deevers**, Holland, MI (US)  
 (73) Assignee: **Steelcase Inc.**, Grand Rapids, MI (US)  
 (\*\*) Term: **15 Years**

(21) Appl. No.: **29/560,964**  
 (22) Filed: **Apr. 12, 2016**  
 (51) **LOC (10) Cl.** ..... **06-01**  
 (52) **U.S. Cl.**  
 USPC ..... **D6/366**  
 (58) **Field of Classification Search**  
 USPC ..... D6/334-336, 364, 365, 366, 371, 372, D6/373, 375, 379, 716, 716.1, 716.2, D6/716.3, 716.4  
 CPC .. A47C 3/12; A47C 5/12; A47C 7/004; A47C 7/022; A47C 7/16; A47C 7/40  
 See application file for complete search history.

(56) **References Cited**  
 U.S. PATENT DOCUMENTS

1,961,641 A	6/1934	Ollis
2,217,893 A	10/1940	Dunajeff
2,799,323 A	7/1957	Berg
2,993,733 A	7/1961	Pinkham
3,080,195 A	3/1963	Berg
D197,643 S	3/1964	Kramer
3,133,765 A	5/1964	Kramer
3,201,172 A	8/1965	Bliss
3,463,547 A	8/1969	Brennan et al.

D220,388 S *	4/1971	Kramer	.....	D6/366
3,583,759 A	6/1971	Kramer		
3,601,176 A	8/1971	Savickas		
3,669,499 A	6/1972	Semplonius et al.		
3,740,096 A	6/1973	Bridger		
3,823,980 A	7/1974	Harnick		
3,827,750 A	8/1974	Fantoni		
D233,808 S *	12/1974	Ruf	.....	D6/366
3,883,176 A	5/1975	Morton		
D236,173 S *	8/1975	Ruf	.....	D6/366
3,942,836 A	3/1976	Baker		
D244,892 S *	7/1977	Koepke	.....	D6/366
4,047,757 A	9/1977	Eames et al.		
D255,183 S	6/1980	Locher		
D255,184 S	6/1980	Locher		
D255,185 S	6/1980	Locher		
4,418,958 A	12/1983	Watkin		
4,498,702 A	2/1985	Raferly		

(Continued)

FOREIGN PATENT DOCUMENTS

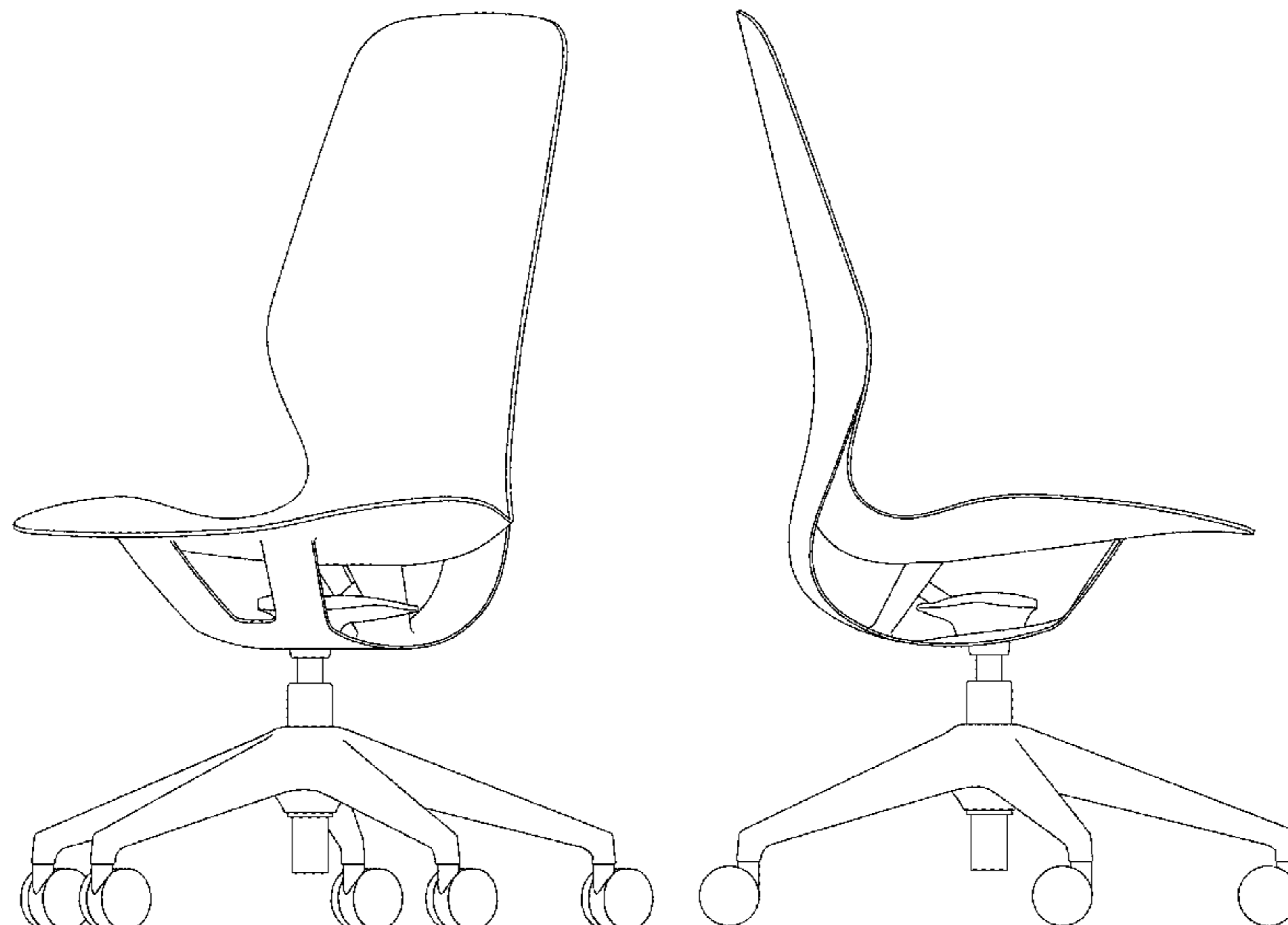
DE 202007010030 9/2007  
*Primary Examiner* — Mimosa De  
 (74) *Attorney, Agent, or Firm* — Price Heneveld LLP

(57) **CLAIM**  
 The ornamental design for the chair, as shown.

DESCRIPTION

FIG. 1 is a top perspective view of a chair embodying the present invention;  
 FIG. 2 is a front perspective view of the chair;  
 FIG. 3 is a rear perspective view of the chair;  
 FIG. 4 is a front elevational view of the chair;  
 FIG. 5 is a rear elevational view of the chair;  
 FIG. 6 is a first side elevational view of the chair;  
 FIG. 7 is a second side elevational view of the chair;  
 FIG. 8 is a top plan view of the chair; and,  
 FIG. 9 is a bottom plan view of the chair.

1 Claim, 9 Drawing Sheets



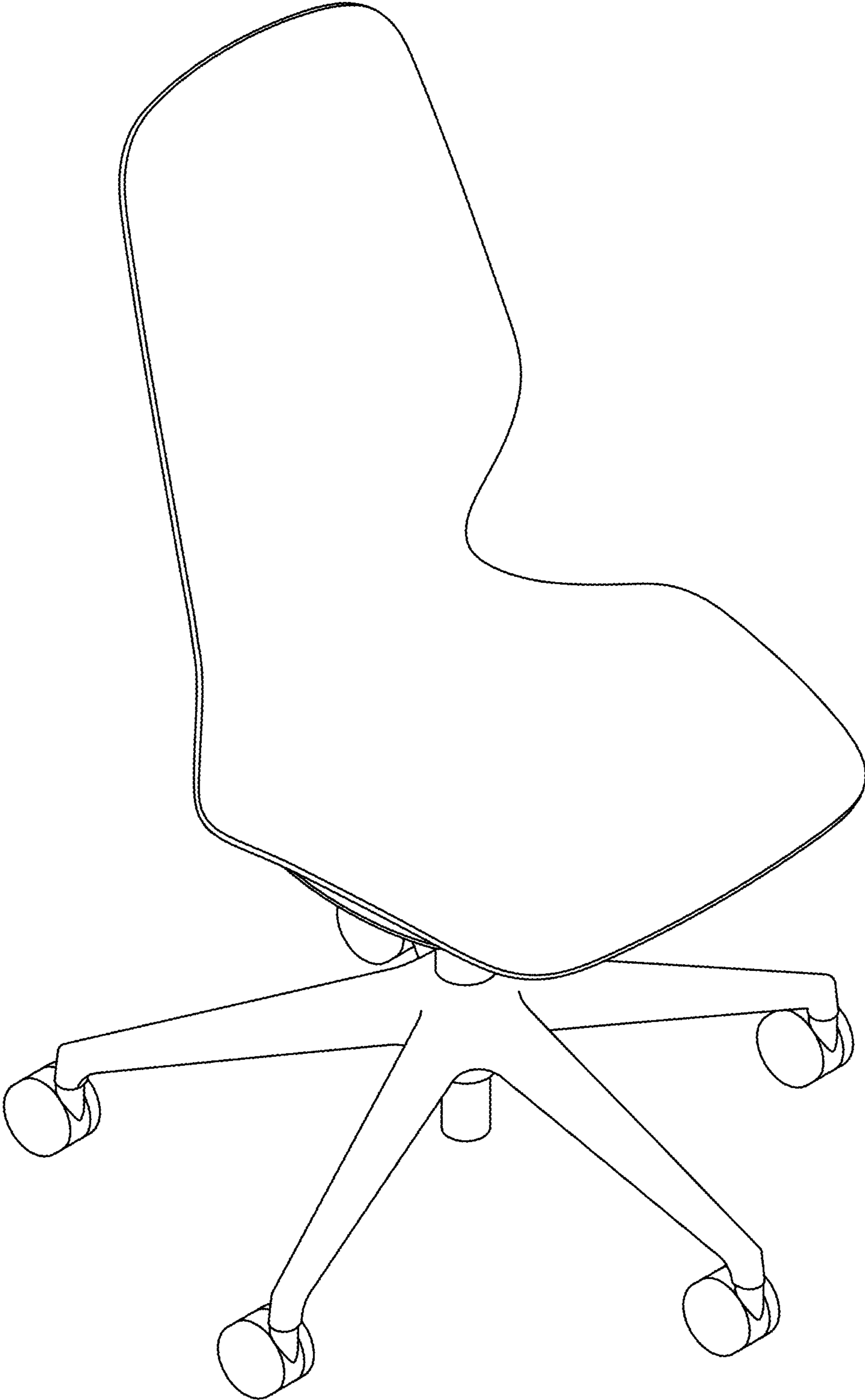
(56)

## References Cited

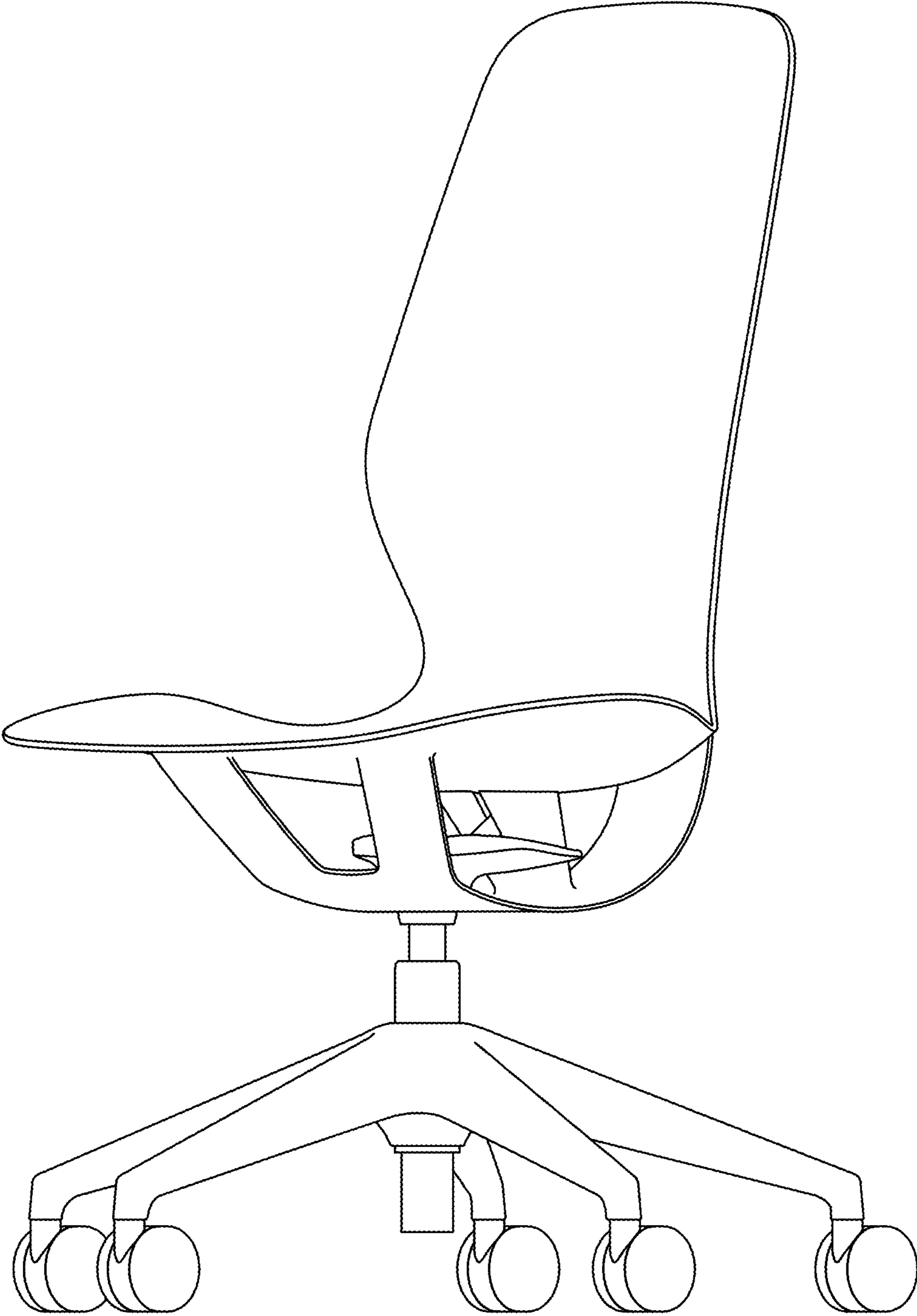
## U.S. PATENT DOCUMENTS

4,500,137	A	2/1985	Morehouse		
4,529,247	A	7/1985	Stumpf et al.		
4,556,254	A	12/1985	Roberts		
D284,144	S	6/1986	Pedersen		
D289,120	S	4/1987	Chadwick et al.		
4,668,015	A	5/1987	Kjersem		
4,744,603	A	5/1988	Knoblock		
4,856,846	A	8/1989	Lohmeyer		
4,892,356	A	1/1990	Pittman et al.		
D307,221	S	4/1990	Mudge		
4,938,530	A	7/1990	Snyder et al.		
D312,003	S	* 11/1990	Muller-Deisig	.....	D6/716
D312,536	S	* 12/1990	Muller-Deisig	.....	D6/366
4,979,778	A	12/1990	Shields		
D318,184	S	* 7/1991	Muller-Deisig	.....	D6/366
5,050,931	A	9/1991	Knoblock		
5,067,772	A	11/1991	Koa		
5,076,646	A	12/1991	Matte		
5,102,196	A	4/1992	Kaneda et al.		
D326,370	S	* 5/1992	Buchacz	.....	D6/366
D328,980	S	* 9/1992	Buchacz	.....	D6/366
D346,909	S	5/1994	Obata et al.		
5,314,240	A	5/1994	Ishi et al.		
D348,571	S	* 7/1994	Obata	.....	D6/366
5,333,934	A	8/1994	Knoblock		
5,338,099	A	8/1994	Ishi et al.		
5,352,022	A	10/1994	Knoblock		
D353,718	S	12/1994	Olson		
5,411,316	A	5/1995	Lovegrove et al.		
5,499,413	A	3/1996	Van Hekken		
5,538,326	A	7/1996	Lorbiecki		
5,567,012	A	10/1996	Knoblock		
5,577,811	A	11/1996	Ogg		
D381,525	S	7/1997	James		
D390,384	S	2/1998	Schultz et al.		
5,713,632	A	2/1998	Su		
D393,968	S	5/1998	Pennington et al.		
D394,961	S	6/1998	Fancelli		
5,791,736	A	8/1998	Herbert		
5,957,534	A	9/1999	Wilkerson et al.		
D417,558	S	12/1999	Staubach et al.		
5,997,094	A	12/1999	Cvek		
6,079,782	A	6/2000	Berg et al.		
D433,834	S	11/2000	Neil		
D437,497	S	2/2001	Bräuning		
6,217,121	B1	4/2001	Mollet		
D444,307	S	7/2001	Minami		
D445,613	S	7/2001	Ginat		
D451,723	S	12/2001	Grove		
D456,625	S	5/2002	Frenkler et al.		
6,409,268	B1	6/2002	Cvek		
D470,320	S	2/2003	Schloss		
D473,407	S	4/2003	Ross		
6,634,717	B2	10/2003	Kown		
6,722,735	B2	4/2004	Lucci et al.		
6,786,548	B2	9/2004	Pearce et al.		
D498,070	S	11/2004	Sauer		
6,817,667	B2	11/2004	Pennington et al.		
D507,437	S	7/2005	Klaasen et al.		
D507,909	S	8/2005	Grove		
6,935,690	B2	8/2005	Lucci et al.		
D510,668	S	10/2005	Eldøy		
D513,911	S	1/2006	Glass et al.		
D514,339	S	2/2006	Glass et al.		
D516,831	S	3/2006	Eldøy		
D519,294	S	4/2006	Frenkler et al.		
D522,265	S	6/2006	Glass et al.		
D525,057	S	7/2006	Koch et al.		
D526,134	S	8/2006	Glass et al.		
D542,553	S	5/2007	Peitz et al.		
7,213,886	B2	5/2007	Schmitz et al.		
D544,230	S	6/2007	Glass et al.		
7,226,130	B2	6/2007	Tubergen et al.		
D549,018	S	8/2007	Glass et al.		
D553,380	S	10/2007	Natuzzi		
D557,532	S	12/2007	True et al.		
D561,499	S	2/2008	Schweikarth et al.		
D566,979	S	4/2008	Cox et al.		
D572,049	S	7/2008	Kerr		
7,396,077	B2	7/2008	Boulva		
D597,758	S	8/2009	Barrett et al.		
7,600,820	B2	10/2009	Bouche et al.		
D609,036	S	2/2010	Miller et al.		
D628,831	S	12/2010	Schmitz et al.		
7,926,879	B2	4/2011	Schmitz et al.		
D637,017	S	5/2011	Aoki		
7,992,936	B2	8/2011	Schmitz et al.		
D646,088	S	10/2011	Ballendat		
D646,511	S	10/2011	Ballendat		
D654,280	S	2/2012	Fujita		
D654,291	S	2/2012	Pearson et al.		
D660,056	S	5/2012	Difrient		
D661,915	S	6/2012	Greutmann		
D663,129	S	7/2012	Greutmann		
D663,132	S	7/2012	Morrison		
D669,279	S	10/2012	Eldøy		
D669,701	S	10/2012	Starck		
8,282,169	B2	10/2012	Schmitz et al.		
8,282,172	B2	10/2012	Schmitz et al.		
D670,099	S	11/2012	Olivares		
D678,690	S	* 3/2013	Eldoy	.....	D6/366
D680,765	S	4/2013	Ballendat		
8,414,073	B2	4/2013	Schmitz et al.		
D683,558	S	6/2013	Rada et al.		
D683,979	S	* 6/2013	Miller	.....	D6/366
8,616,640	B2	12/2013	van Hekken		
8,657,374	B2	2/2014	Higgs		
D701,053	S	3/2014	Smith et al.		
D705,560	S	5/2014	Sato		
D707,461	S	6/2014	Rada et al.		
D715,573	S	10/2014	Lloyd et al.		
D723,826	S	3/2015	Kaloustian et al.		
D729,538	S	5/2015	Kotilainen		
9,049,936	B2	6/2015	Leone et al.		
D733,445	S	7/2015	Izawa et al.		
D742,153	S	11/2015	Hui et al.		
D743,180	S	11/2015	Mehaffey et al.		
D759,414	S	6/2016	Mehaffey et al.		
D761,579	S	* 7/2016	Lievore	.....	D6/366
2007/0205648	A1	9/2007	Huang		
2009/0261644	A1	10/2009	Piretti		
2012/0228911	A1	9/2012	Piretti		
2013/0099548	A1	4/2013	Schmitz et al.		
2014/0077573	A1	3/2014	Schneider et al.		

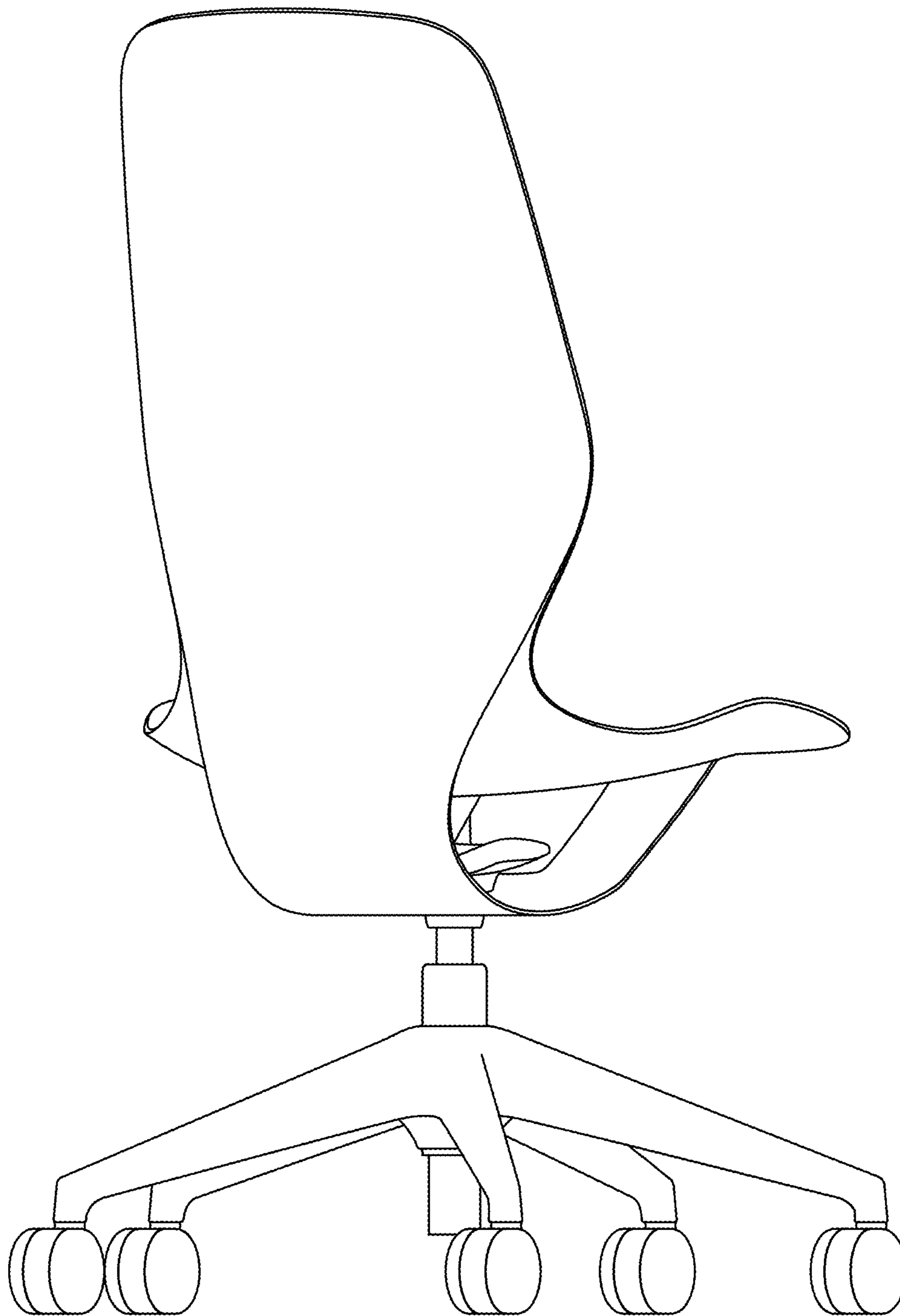
\* cited by examiner



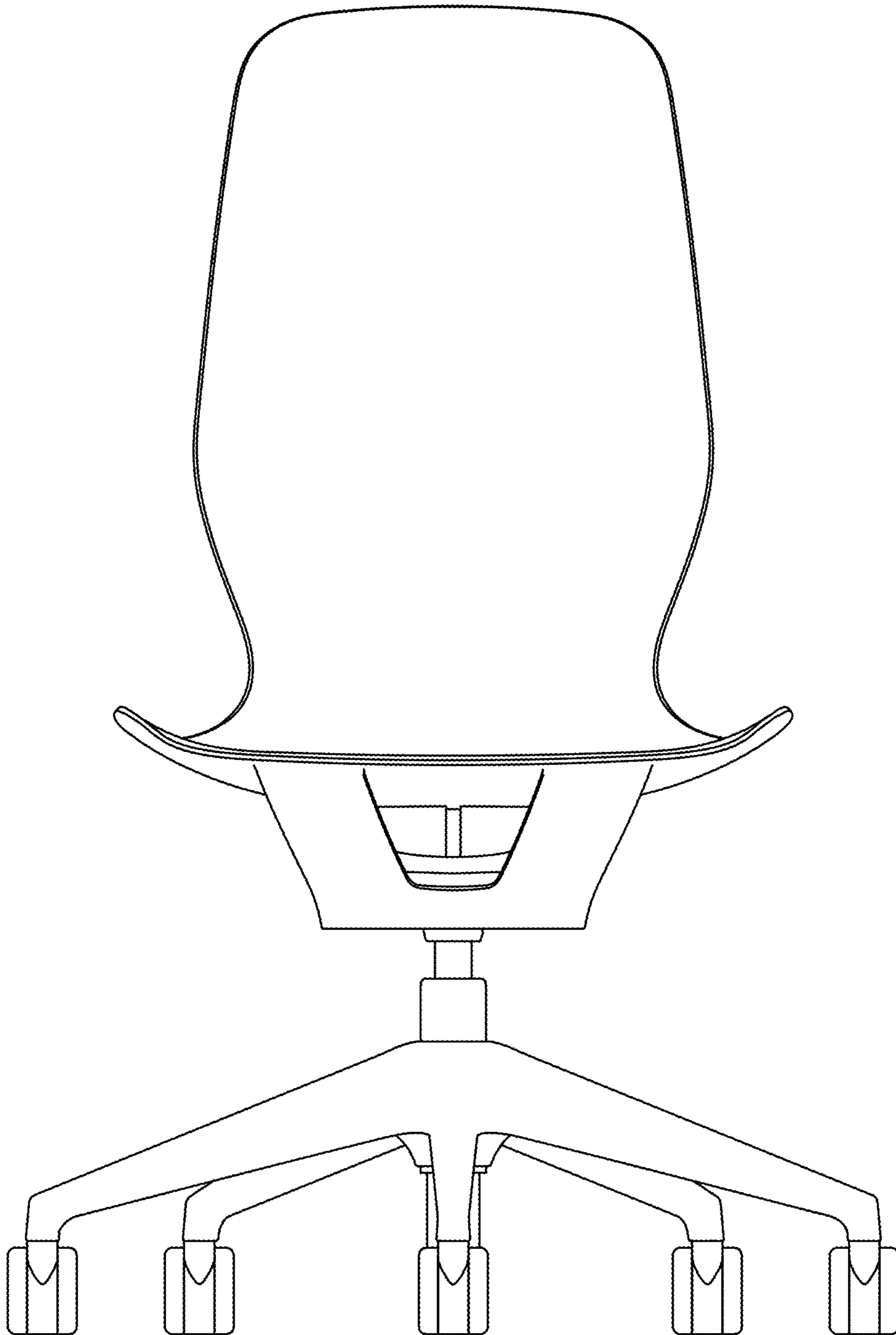
**FIG. 1**



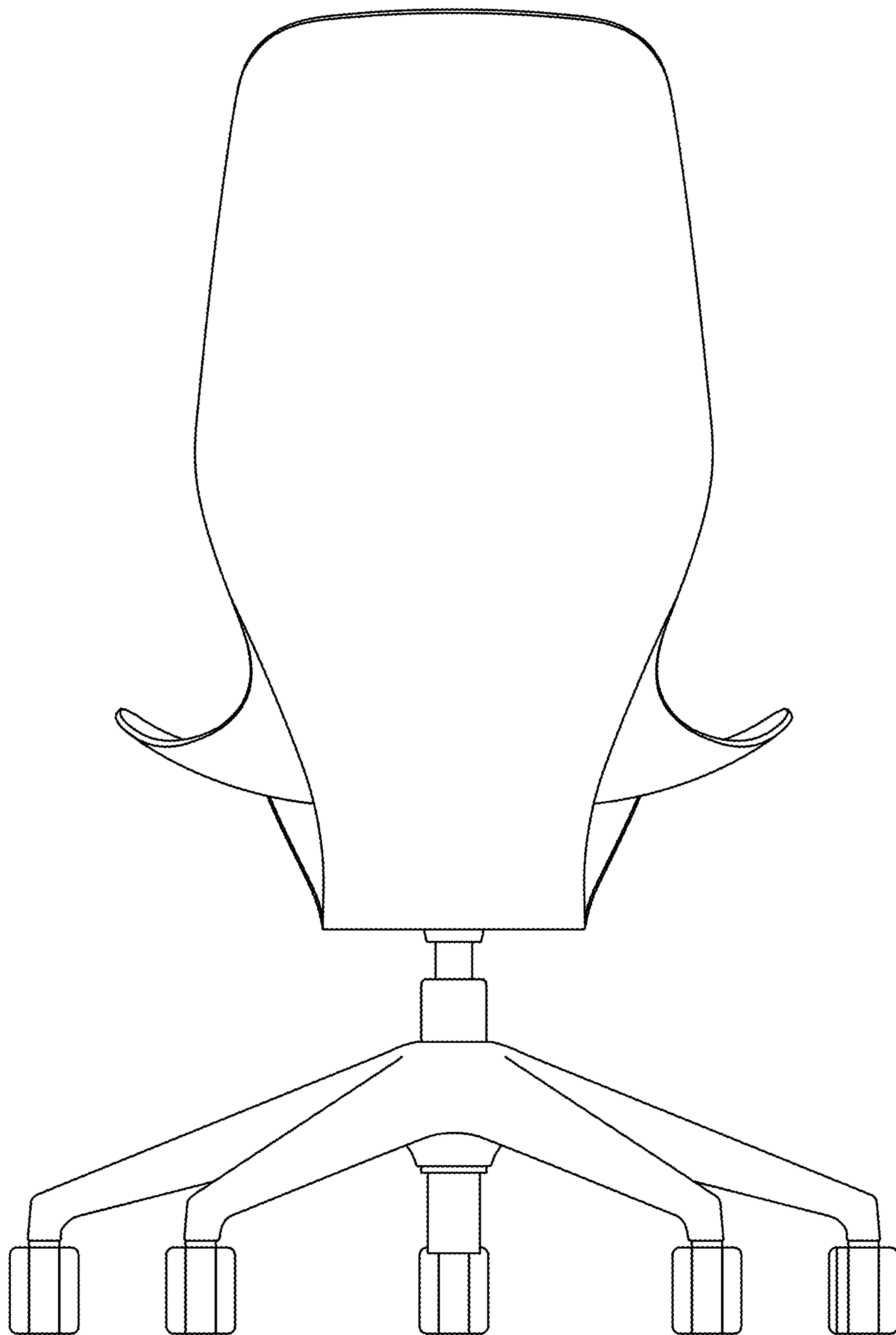
**FIG. 2**



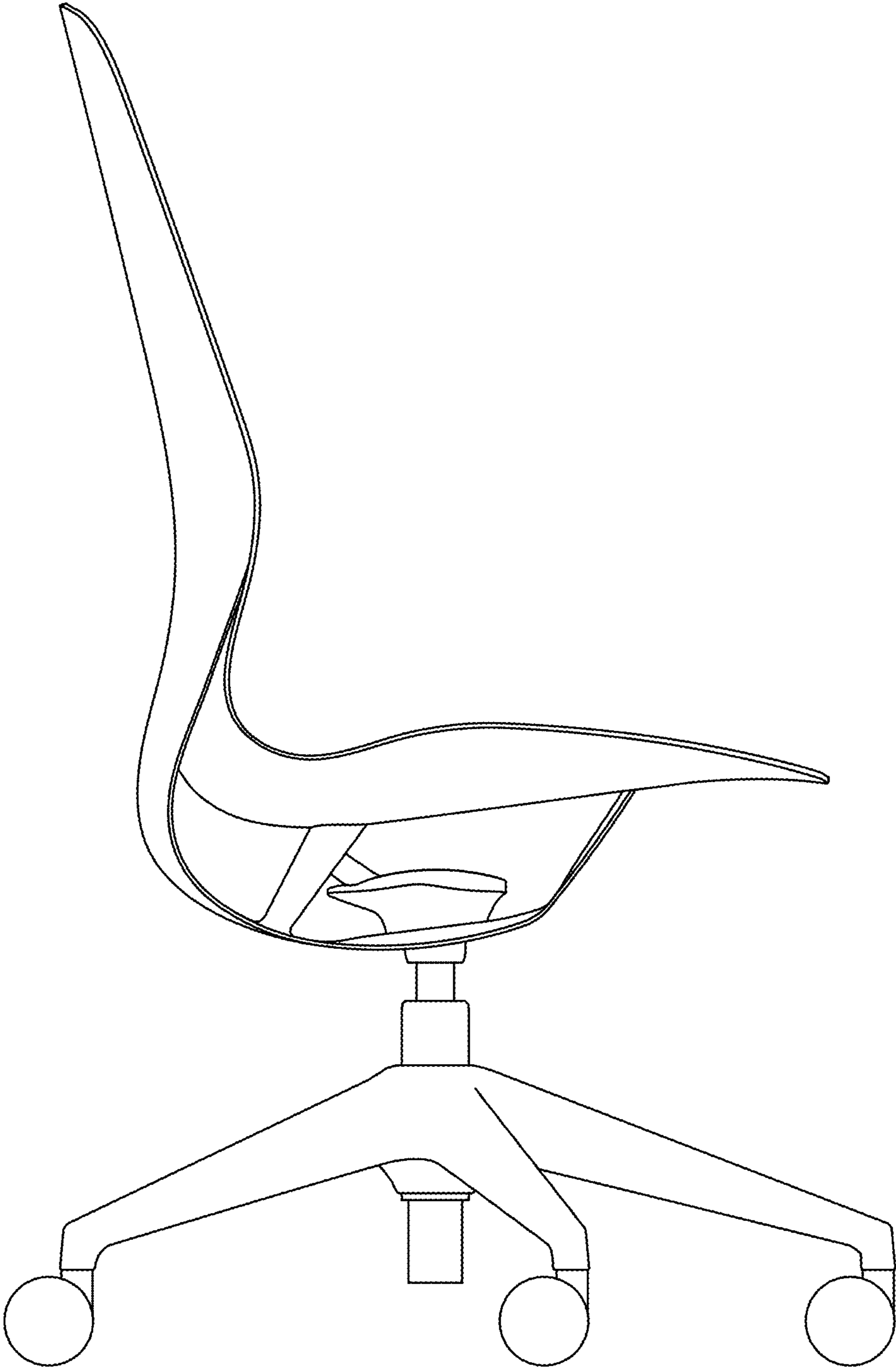
**FIG. 3**



**FIG. 4**

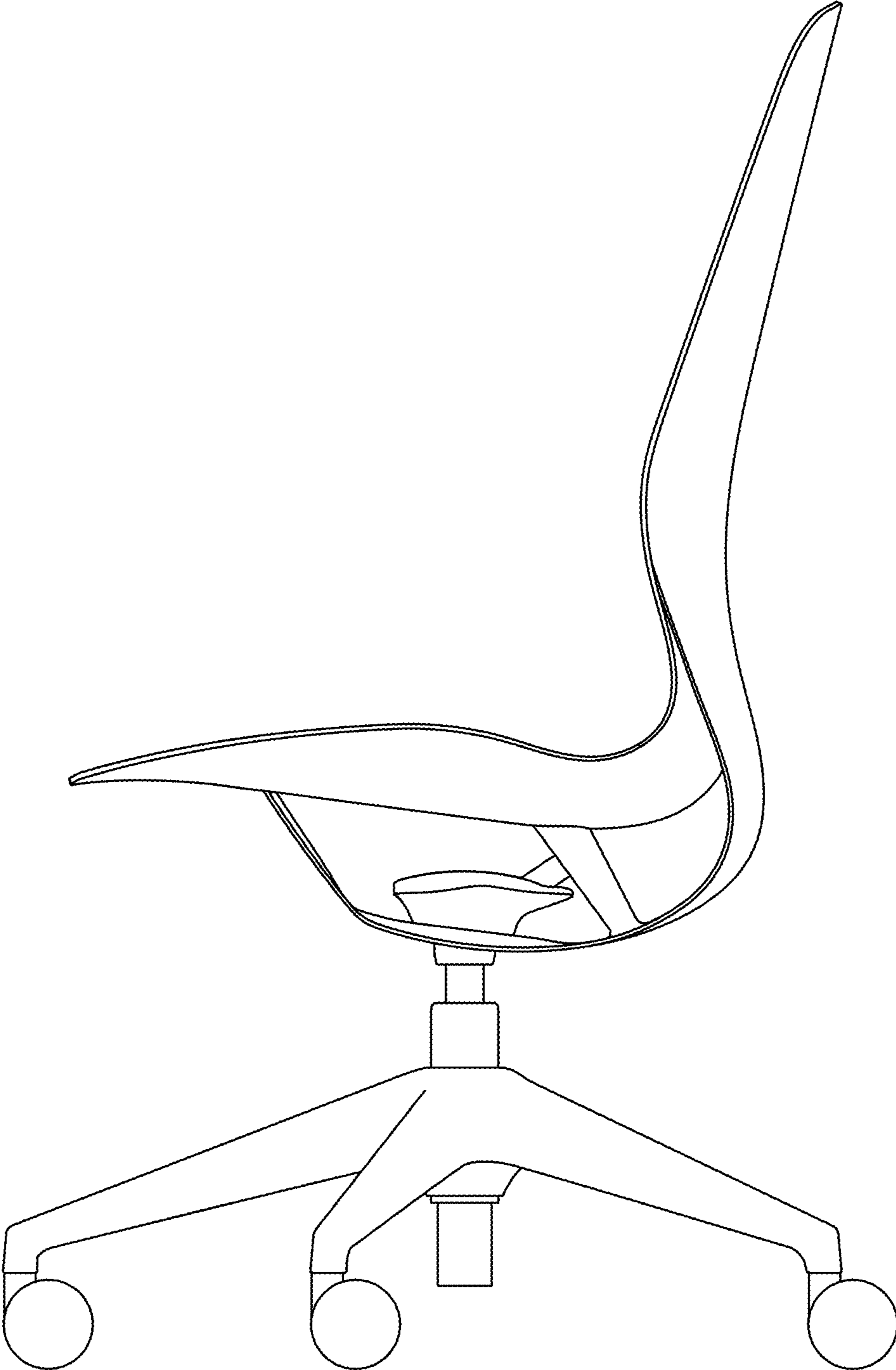


**FIG. 5**

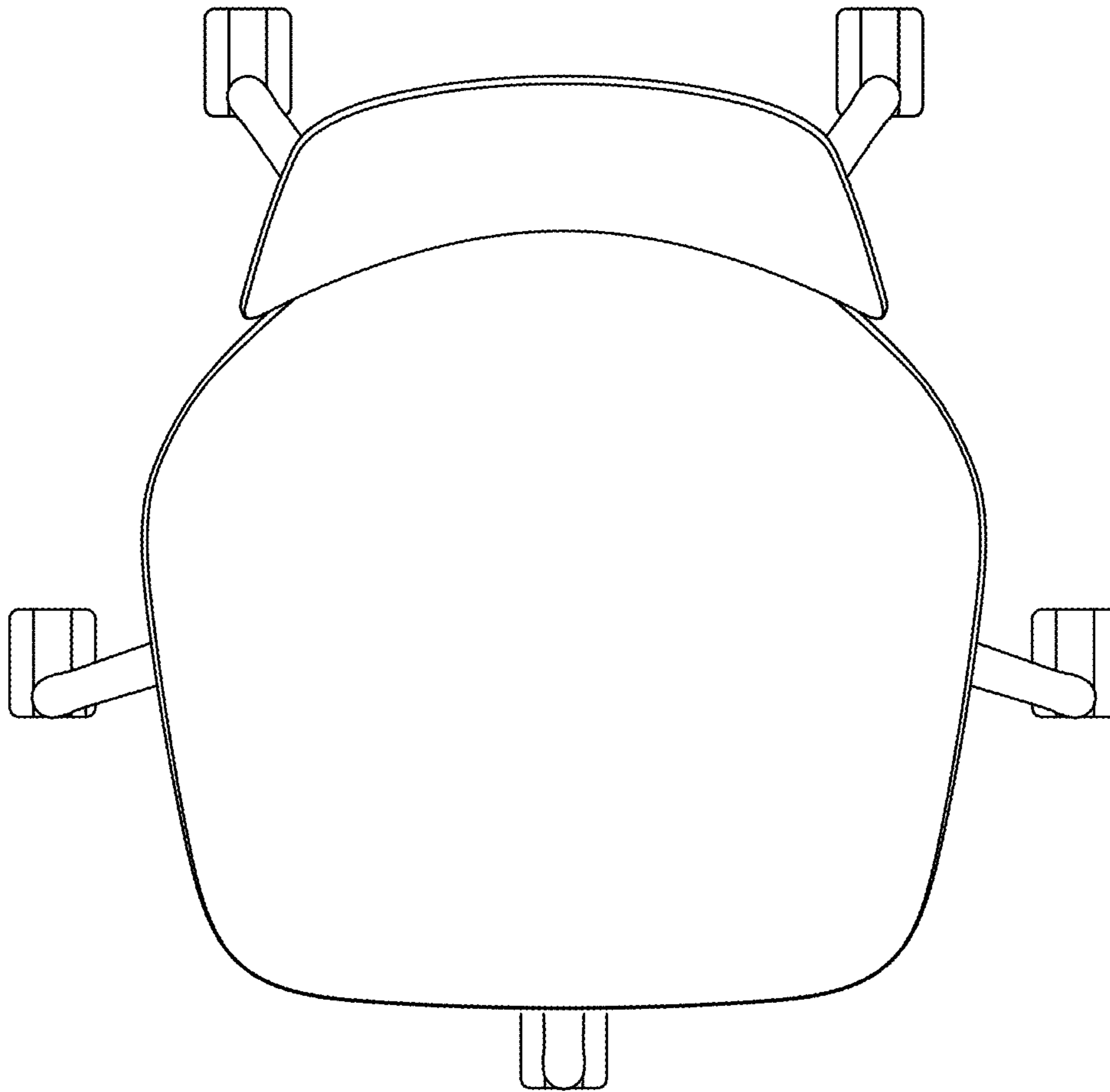


**FIG. 6**

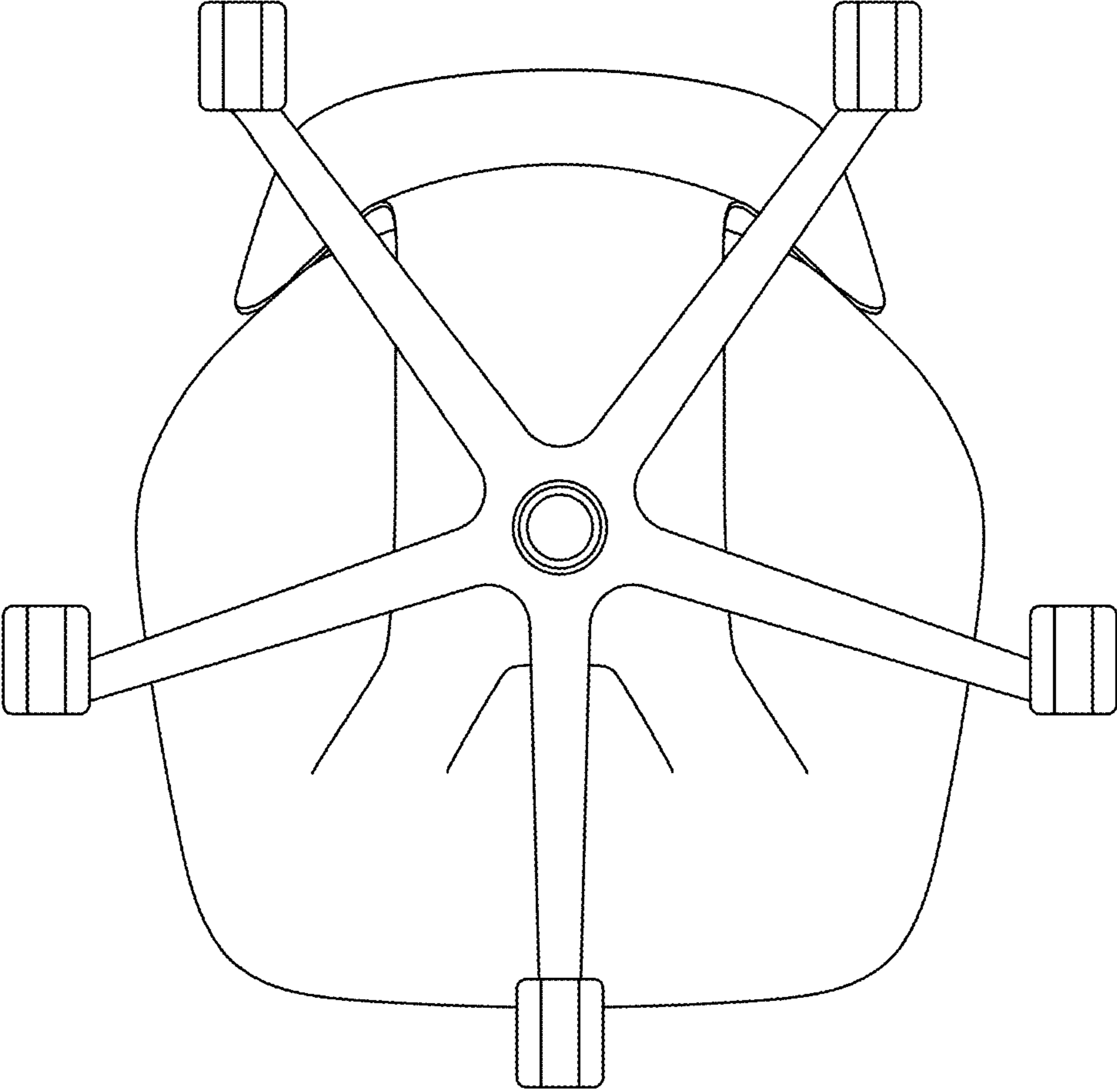




**FIG. 7**



**FIG. 8**



**FIG. 9**