



US00D804837S

(12) **United States Design Patent** (10) **Patent No.:** **US D804,837 S**
Cohen (45) **Date of Patent:** **** Dec. 12, 2017**

(54) **BENCH**

(71) Applicant: **Cohen Concepts, Inc.**, Palm Bay, FL (US)

(72) Inventor: **Howard Cohen**, Indialantic, FL (US)

(**) Term: **15 Years**

(21) Appl. No.: **29/565,350**

(22) Filed: **May 19, 2016**

(51) **LOC (10) Cl.** **06-01**

(52) **U.S. Cl.**

USPC **D6/349**

(58) **Field of Classification Search**

USPC D6/334, 349-355, 363, 360, 368, 374,
D6/403, 405, 657, 675.4, 685, 688.17,
D6/690, 691.9, 693-693.3, 695, 708,
D6/708.15-708.25, 709.11; D25/62-65

CPC A47C 9/00-9/105; A47C 7/00-7/02; A47C
16/00-16/04; A47B 7/00-7/02; A47B
3/00; A47B 3/02; A47B 3/04; A47B 3/12

See application file for complete search history.

(56) **References Cited**

U.S. PATENT DOCUMENTS

D251,639 S *	4/1979	Colby	D6/353
D252,426 S *	7/1979	Brelsford	D6/349
D394,960 S *	6/1998	Lewis	D6/349
D455,277 S *	4/2002	Hutton	D6/349
D504,578 S *	5/2005	Moser	D6/349
D555,919 S *	11/2007	Baade	D6/349
D704,974 S *	5/2014	Lee	D6/349
D717,053 S *	11/2014	Gelman	D6/349
D770,192 S *	11/2016	Cohen	D6/349

OTHER PUBLICATIONS

Plantation Teak Folding Camp Stool With Canvas Seat. [online] Retrieved Jul. 11, 2017 from URL: <https://www.houzz.com/photos/9597241/Plantation-Teak-Folding-Camp-Stool-With-Canvas-Seat-Khaki-transitional-outdoor-folding-chairs>.*

Poul Hundevad Canvas Safari Chair and Ottoman. [online] Retrieved Jul. 11, 2017 from URL: http://www.amsterdammodern.com/search-product/3275-Poul-Hundevad-Canvas-Safari-Chair-and-Ottoman?page=17&s=tubular+chair&show_sold=true.*

Regatta Mesh Dining Chair. [online] Retrieved Jul. 31, 2017 from URL: <https://www.crateandbarrel.com/regattameshdiningchair/s595837>.*

* cited by examiner

Primary Examiner — Vy N Koenig

(74) *Attorney, Agent, or Firm* — Stephen C. Thomas

(57) **CLAIM**

The ornamental design for a bench, as shown.

DESCRIPTION

FIG. 1 depicts a top perspective view of the bench of the invention.

FIG. 2 depicts a bottom perspective view of the bench of the invention.

FIG. 3 depicts a front orthogonal view of the bench of the invention.

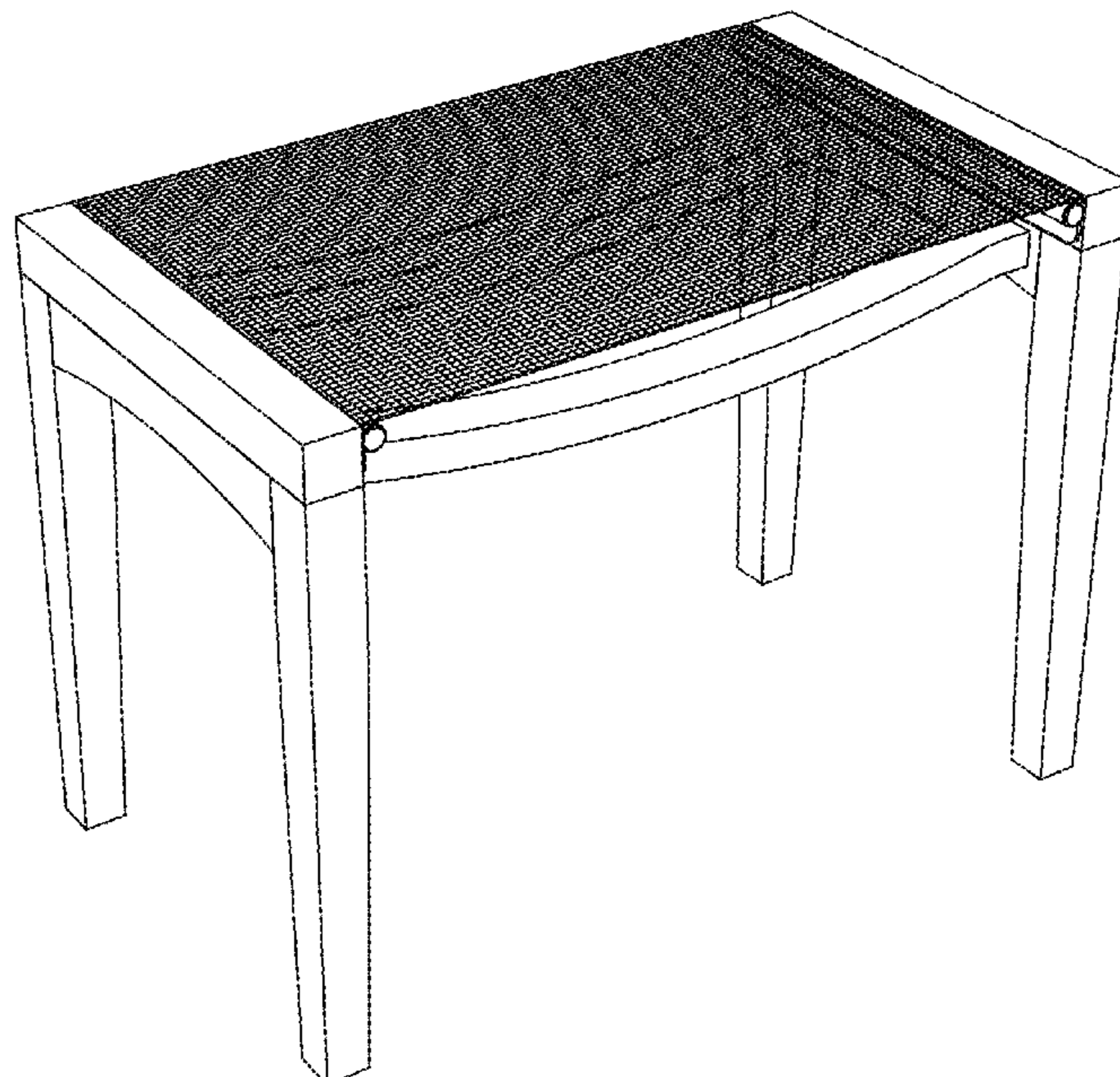
FIG. 4 depicts an orthogonal left side view of the bench of the invention.

FIG. 5 depicts an orthogonal right side view of the bench of the invention.

FIG. 6 depicts an orthogonal top view of the bench of the invention; and,

FIG. 7 depicts an orthogonal bottom view of the bench of the invention.

1 Claim, 7 Drawing Sheets



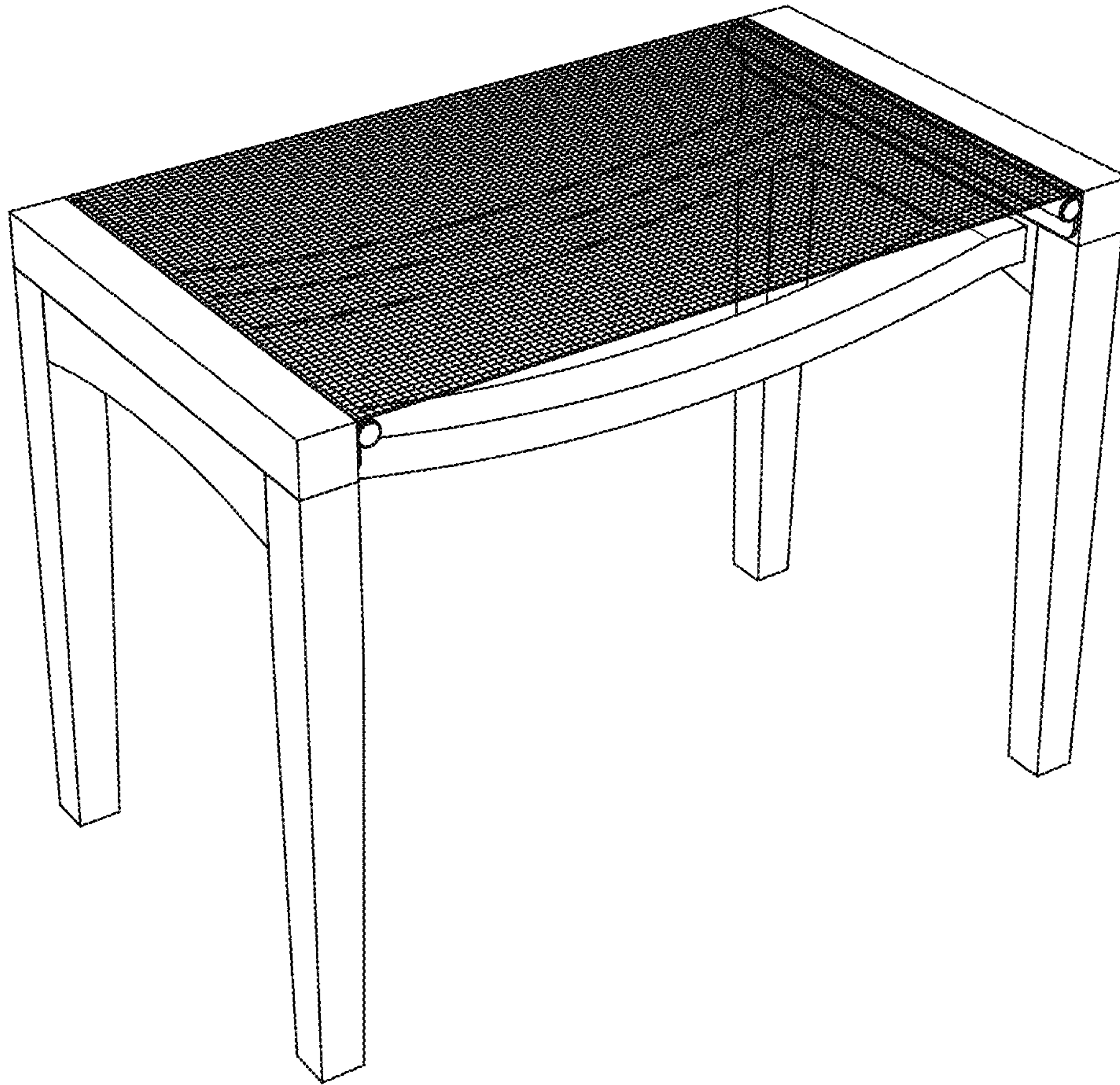


Fig. 1

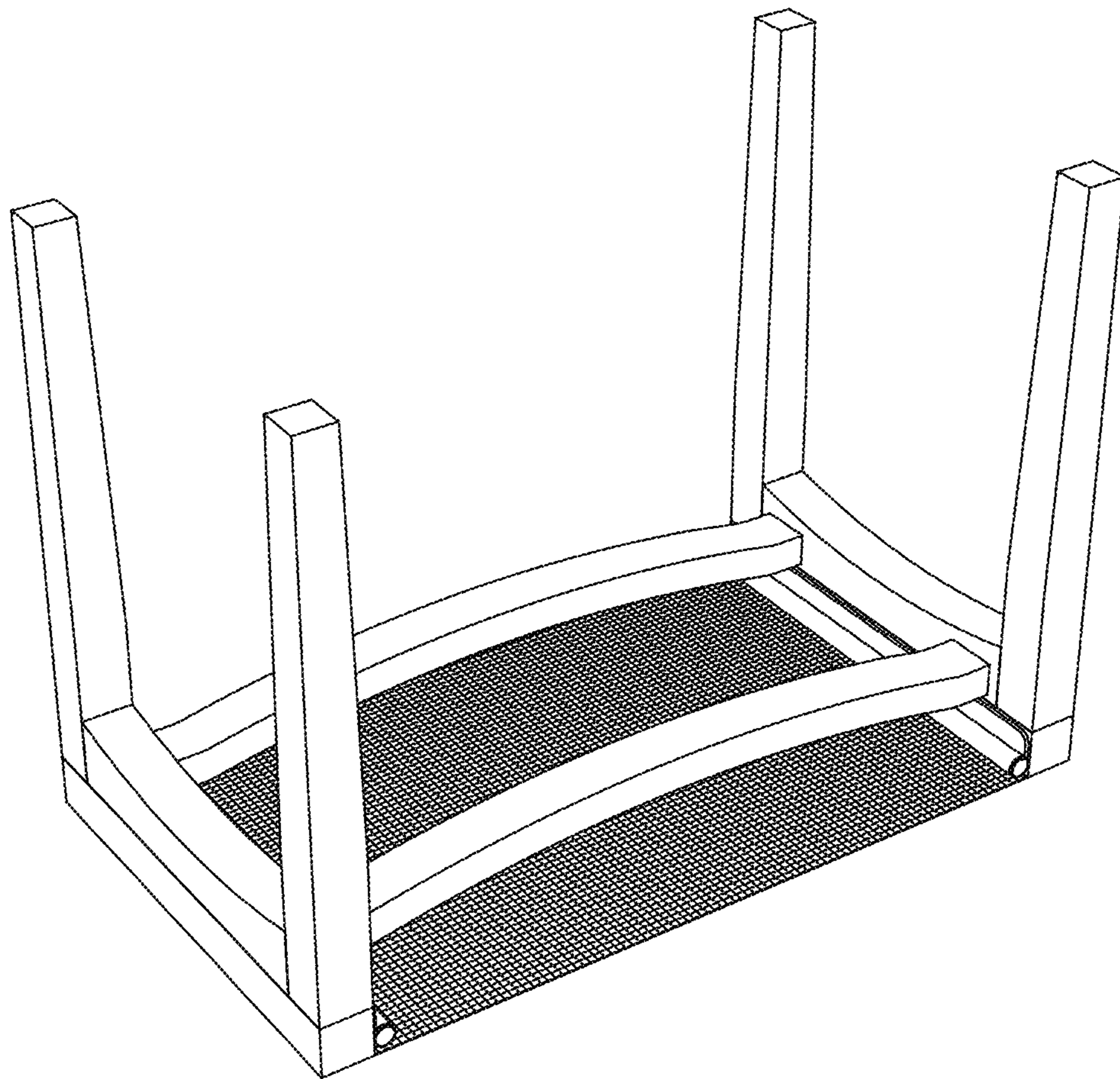


Fig. 2

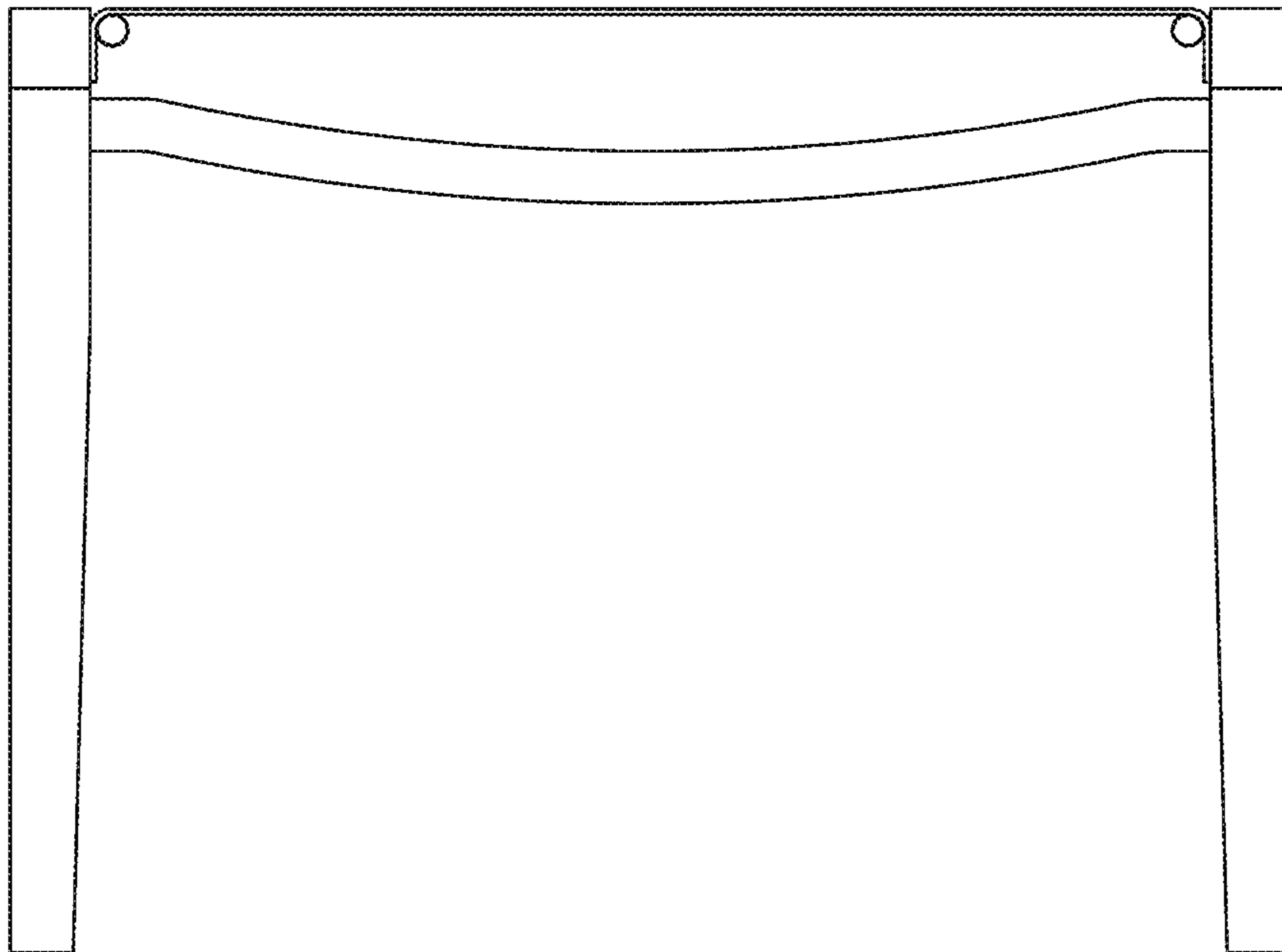


Fig. 3

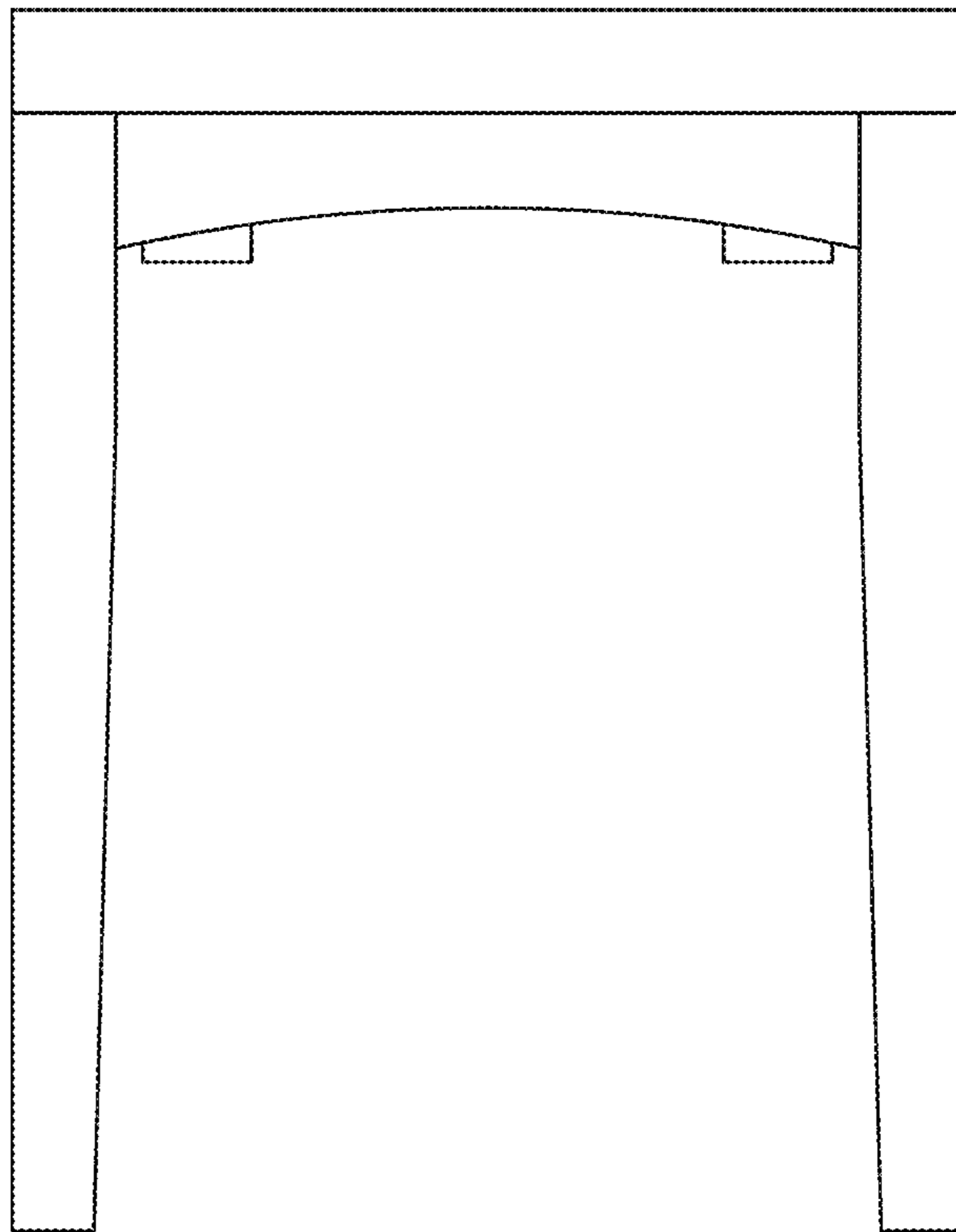


Fig. 4

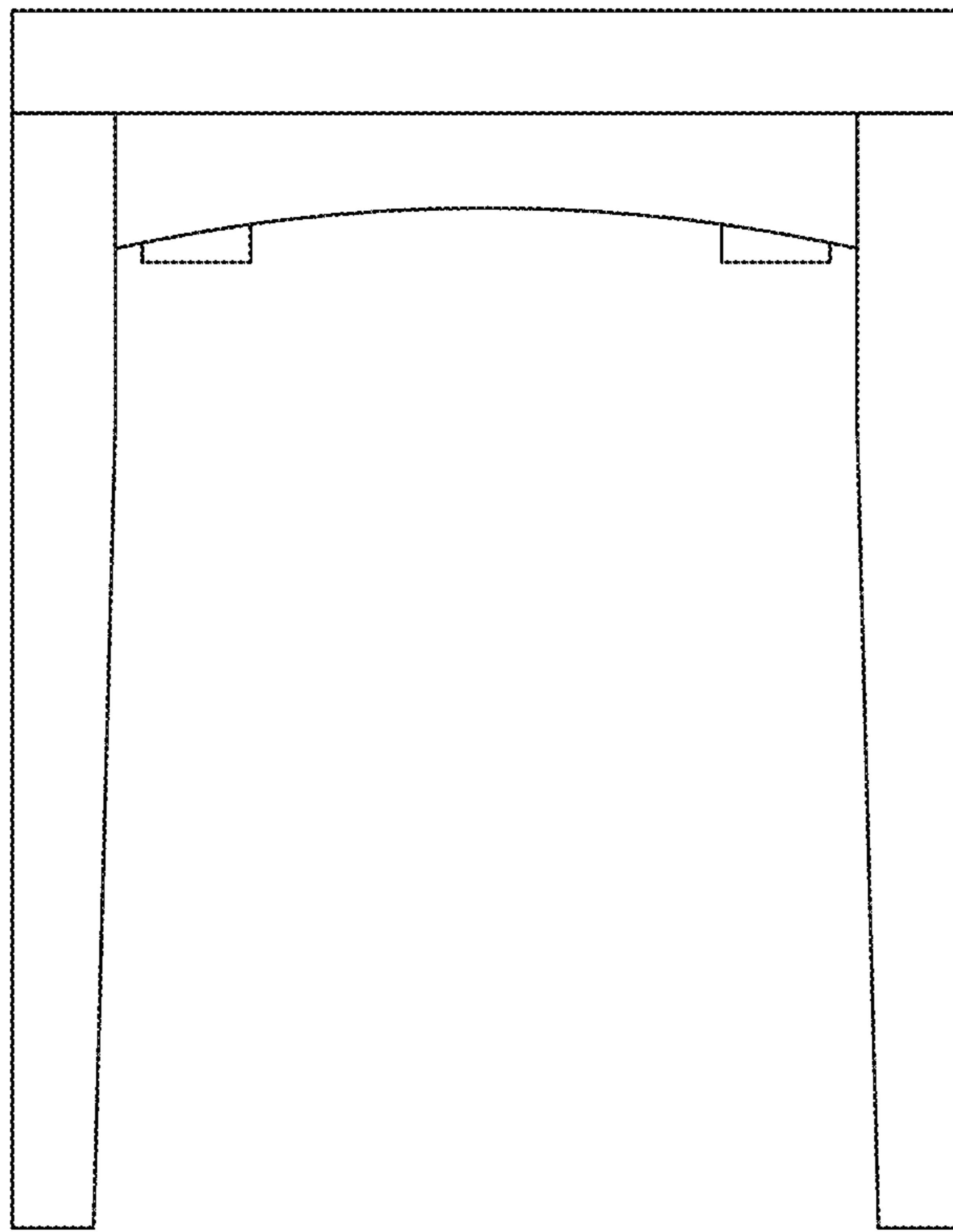


Fig. 5

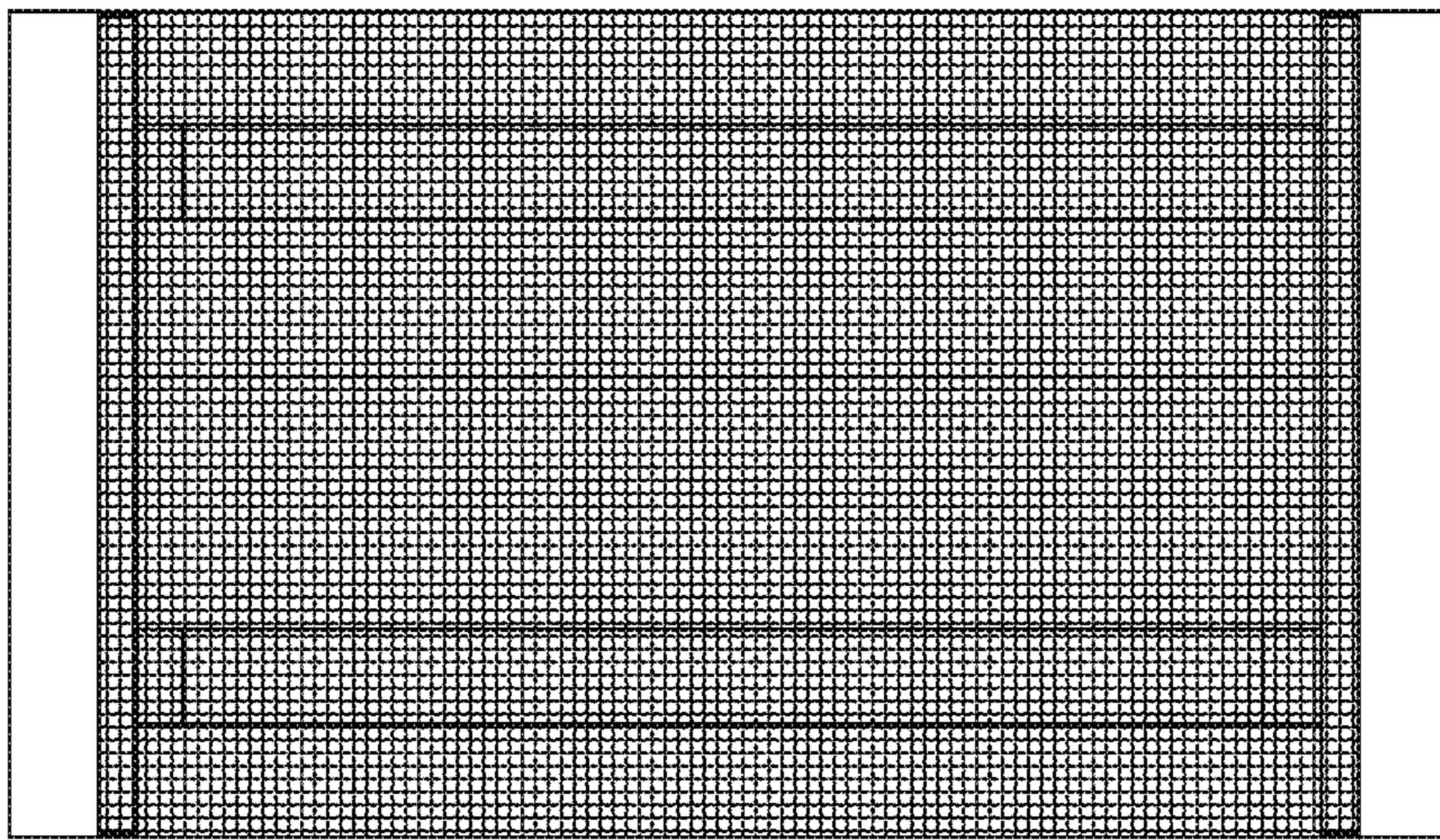


Fig. 6

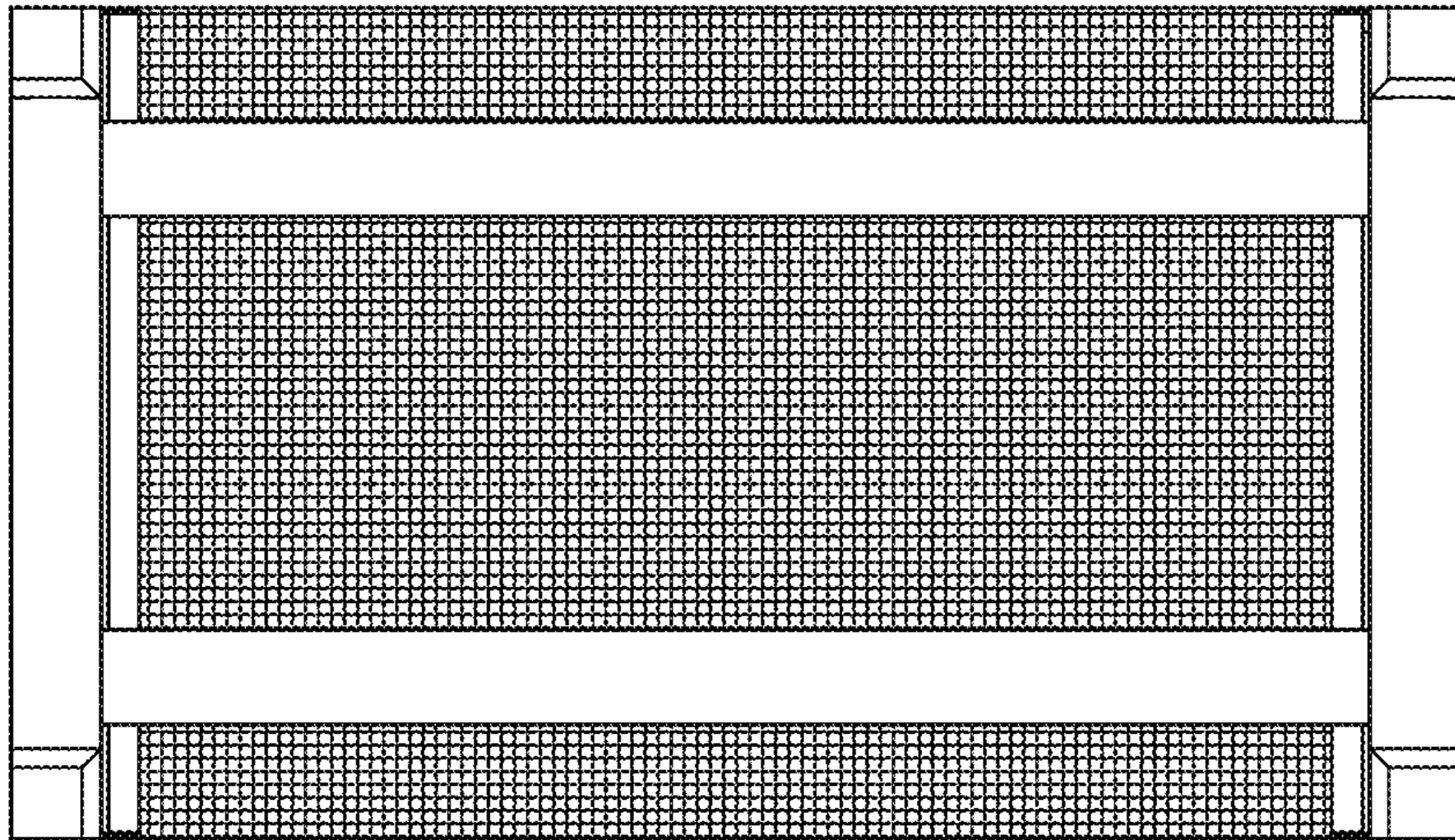


Fig. 7