



US00D804836S

(12) **United States Design Patent** (10) **Patent No.:** **US D804,836 S**  
**Lieberman et al.** (45) **Date of Patent:** **\*\* Dec. 12, 2017**

(54) **CANOPY SWING CHAIR**

OTHER PUBLICATIONS

- (71) Applicant: **Francesco Lieberman**, Sarasota, FL (US)
- (72) Inventors: **Francesco Lieberman**, Sarasota, FL (US); **Jan S. Gross**, Sarasota, FL (US)
- (73) Assignee: **Francesco Lieberman**, Sarasota, FL (US)
- (\*\*) Term: **15 Years**
- (21) Appl. No.: **29/585,687**
- (22) Filed: **Nov. 28, 2016**

“David Frank Design” webiste, www.davidfrankdesign.com, printed to PDF on Dec. 27, 2016.

*Primary Examiner* — Mimoso De  
(74) *Attorney, Agent, or Firm* — Jeffrey B. Fabian; Shumaker, Loop & Kendrick, LLP

**Related U.S. Application Data**

- (63) Continuation of application No. 15/268,301, filed on Sep. 16, 2016, now abandoned, and a continuation of application No. 15/268,393, filed on Sep. 16, 2016, now Pat. No. 9,670,033.
- (51) **LOC (10) Cl.** ..... **06-01**
- (52) **U.S. Cl.**  
USPC ..... **D6/347**
- (58) **Field of Classification Search**  
USPC ..... D6/334–336, 344, 347, 348, 361, 375,  
D6/389, 716, 716.1, 716.2, 716.3, 716.4,  
D6/716.8  
CPC ..... A47C 3/02; A47C 3/0255; A47C 4/08;  
A47C 5/04; A63G 9/00; A63G 9/02;  
A63G

(Continued)

(56) **References Cited**

U.S. PATENT DOCUMENTS

- 1,583,300 A 5/1926 McTernen
- 3,081,131 A 3/1963 Brueder
- 3,228,724 A 1/1966 Resar

(Continued)

(57) **CLAIM**

The ornamental design for a canopy swing chair, as shown and described.

**DESCRIPTION**

FIG. 1 is a front, diagonal, perspective view of a canopy swing chair showing our new design. The broken lines are for illustrative purposes only and form no part of the claimed design.

FIG. 2 is a top, perspective view of a canopy swing chair showing our new design. The broken lines are for illustrative purposes only and form no part of the claimed design.

FIG. 3 is a bottom, perspective view of a canopy swing chair showing our new design. The broken lines are for illustrative purposes only and form no part of the claimed design.

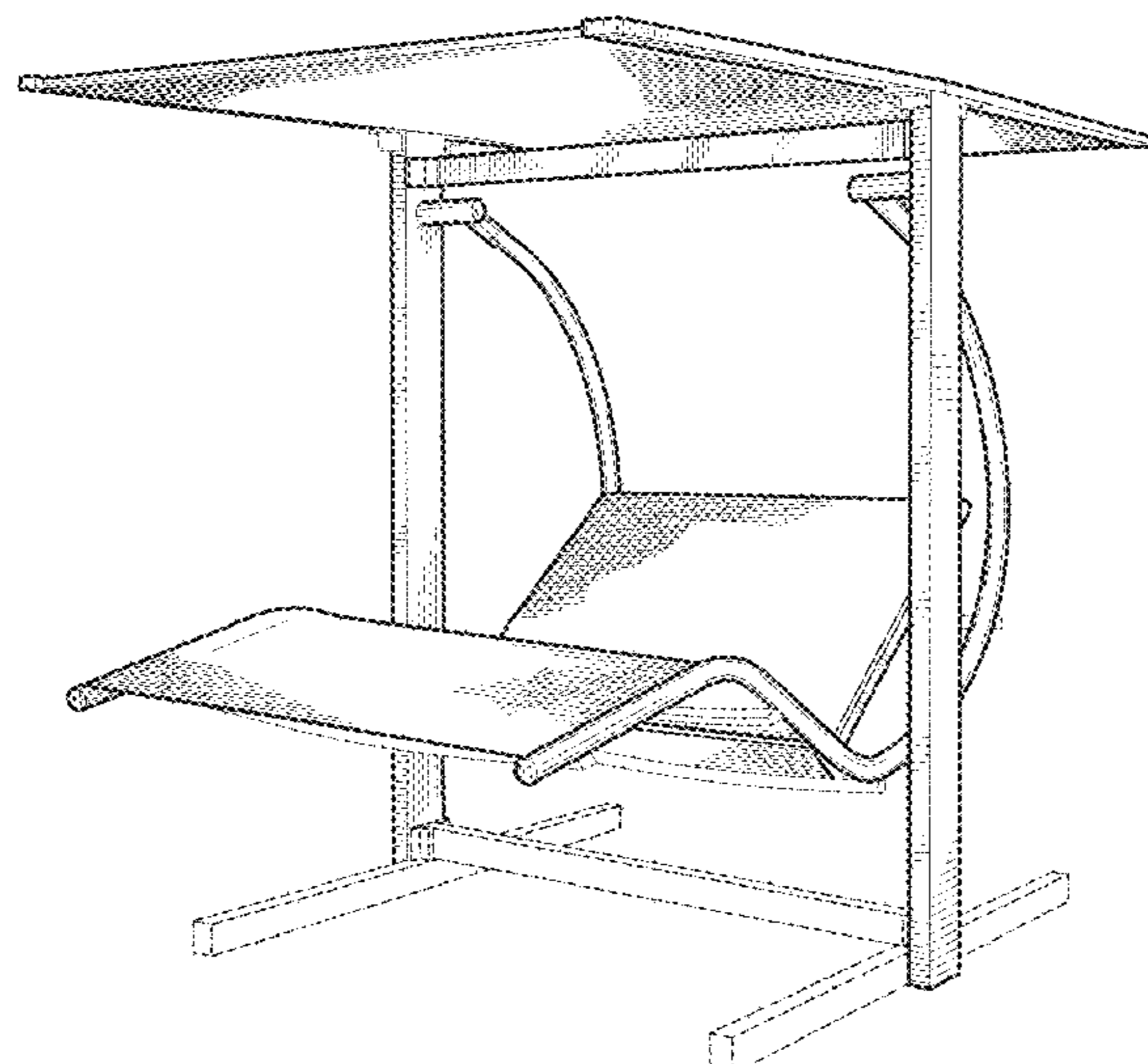
FIG. 4 is a first side, perspective view of a canopy swing chair showing our new design. The broken lines are for illustrative purposes only and form no part of the claimed design.

FIG. 5 is a second side, perspective view of a canopy swing chair showing our new design. The broken lines are for illustrative purposes only and form no part of the claimed design.

FIG. 6 is a front, perspective view of a canopy swing chair showing our new design. The broken lines are for illustrative purposes only and form no part of the claimed design; and,

FIG. 7 is a rear, perspective view of a canopy swing chair showing our new design. The broken lines are for illustrative purposes only and form no part of the claimed design.

**1 Claim, 7 Drawing Sheets**



**US D804,836 S**

|   |   |
|---|---|
| <p>(58) <b>Field of Classification Search</b><br/>                 CPC .. 9/04; A45F 3/24; A45F 3/26; E04F 10/0633<br/>                 See application file for complete search history.</p> | <p>6,789,844 B1 9/2004 Dennis<br/>                 6,857,701 B1 2/2005 Liu<br/>                 6,935,962 B1 * 8/2005 Tseng ..... A63G 9/00<br/>                 297/423.2</p>  |
| <p>(56) <b>References Cited</b><br/><br/>                 U.S. PATENT DOCUMENTS</p>   | <p>6,949,027 B1 9/2005 Habing<br/>                 6,951,369 B1 10/2005 Wang<br/>                 7,008,021 B2 3/2006 Schultz<br/>                 7,118,176 B2 10/2006 Erker<br/>                 7,240,961 B2 7/2007 Grace<br/>                 D548,472 S 8/2007 Habing et al.<br/>                 7,367,895 B2 * 5/2008 Tseng ..... A47C 3/0255<br/>                 472/118</p> |

|   |   |
|---|---|
| <p>3,825,299 A 7/1974 Gaucher<br/>                 3,952,758 A 4/1976 Addison<br/>                 4,243,263 A 1/1981 Thiboutot<br/>                 4,351,524 A 9/1982 Gomes<br/>                 4,522,444 A 6/1985 Pollock<br/>                 4,645,260 A 2/1987 Harty<br/>                 4,673,019 A 6/1987 Silverthorne<br/>                 4,724,882 A 2/1988 Wang<br/>                 4,917,378 A 4/1990 Girecky<br/>                 5,058,950 A 10/1991 Mann<br/>                 5,318,348 A 6/1994 Hess<br/>                 5,415,455 A 5/1995 Geldbaugh<br/>                 5,507,563 A 4/1996 Arthur, Jr.<br/>                 5,564,987 A 10/1996 Ayrolles<br/>                 D379,270 S * 5/1997 Voyce ..... D6/347<br/>                 5,685,354 A 11/1997 Kim<br/>                 5,716,101 A 2/1998 Frinier<br/>                 5,735,578 A 4/1998 Penley<br/>                 5,762,403 A 6/1998 Robinson<br/>                 5,769,500 A 6/1998 Holbrook<br/>                 5,911,478 A 6/1999 Goodman<br/>                 D417,791 S * 12/1999 Liu ..... D6/347<br/>                 6,036,605 A 3/2000 Tseng<br/>                 D423,802 S * 5/2000 Tseng ..... D6/344<br/>                 6,068,008 A 5/2000 Caldwell<br/>                 6,113,186 A 9/2000 Holmes<br/>                 6,293,624 B1 9/2001 Gaylord<br/>                 D455,908 S * 4/2002 Liu ..... D6/347<br/>                 6,383,085 B1 * 5/2002 Tseng ..... A47C 3/0255<br/>                 297/184.15</p> | <p>7,413,000 B2 8/2008 Lin<br/>                 7,556,317 B2 7/2009 Bottemiller<br/>                 7,568,768 B1 8/2009 Tsai<br/>                 7,607,724 B2 10/2009 Dickie<br/>                 7,614,694 B2 11/2009 Forgatsch<br/>                 7,699,711 B2 4/2010 Tseng<br/>                 7,740,320 B2 6/2010 Chiang<br/>                 8,292,361 B2 10/2012 Chen<br/>                 8,322,784 B2 12/2012 Ayre<br/>                 D677,914 S * 3/2013 Cardenas ..... D6/347<br/>                 8,523,283 B2 9/2013 Lee<br/>                 8,646,844 B2 2/2014 Blind<br/>                 8,887,789 B2 11/2014 Tremaine, III et al.<br/>                 8,991,920 B2 3/2015 Oren<br/>                 D728,949 S * 5/2015 Fang ..... D6/348<br/>                 D728,950 S * 5/2015 Fang ..... D6/348<br/>                 9,212,497 B2 12/2015 Chlapaty<br/>                 D751,833 S * 3/2016 Lv ..... D6/348<br/>                 9,370,247 B1 6/2016 Caldwell<br/>                 9,670,033 B1 * 6/2017 Lieberman ..... E04F 10/0633</p> |
|---|---|

|   |   |
|---|---|
| <p>6,402,233 B1 6/2002 Tseng<br/>                 6,517,161 B2 2/2003 Lo<br/>                 6,560,827 B1 5/2003 Gross<br/>                 6,672,665 B1 1/2004 Tseng<br/>                 6,767,056 B2 7/2004 Tseng<br/>                 6,779,849 B1 8/2004 Harper<br/>                 6,786,544 B1 9/2004 Muraishi</p> | <p>2003/0025362 A1 2/2003 Liu<br/>                 2003/0042776 A1 3/2003 Tseng<br/>                 2003/0071499 A1 4/2003 Tseng<br/>                 2003/0160495 A1 8/2003 Tarnay<br/>                 2004/0012240 A1 1/2004 Hall, Jr.<br/>                 2004/0245839 A1 12/2004 Bodnar<br/>                 2006/0261652 A1 11/2006 Tseng<br/>                 2007/0284926 A1 12/2007 Tseng<br/>                 2012/0013161 A1 1/2012 Adams<br/>                 2013/0105096 A1 5/2013 Hsieh<br/>                 2015/0115671 A1 4/2015 Chen</p> |
|---|---|

\* cited by examiner



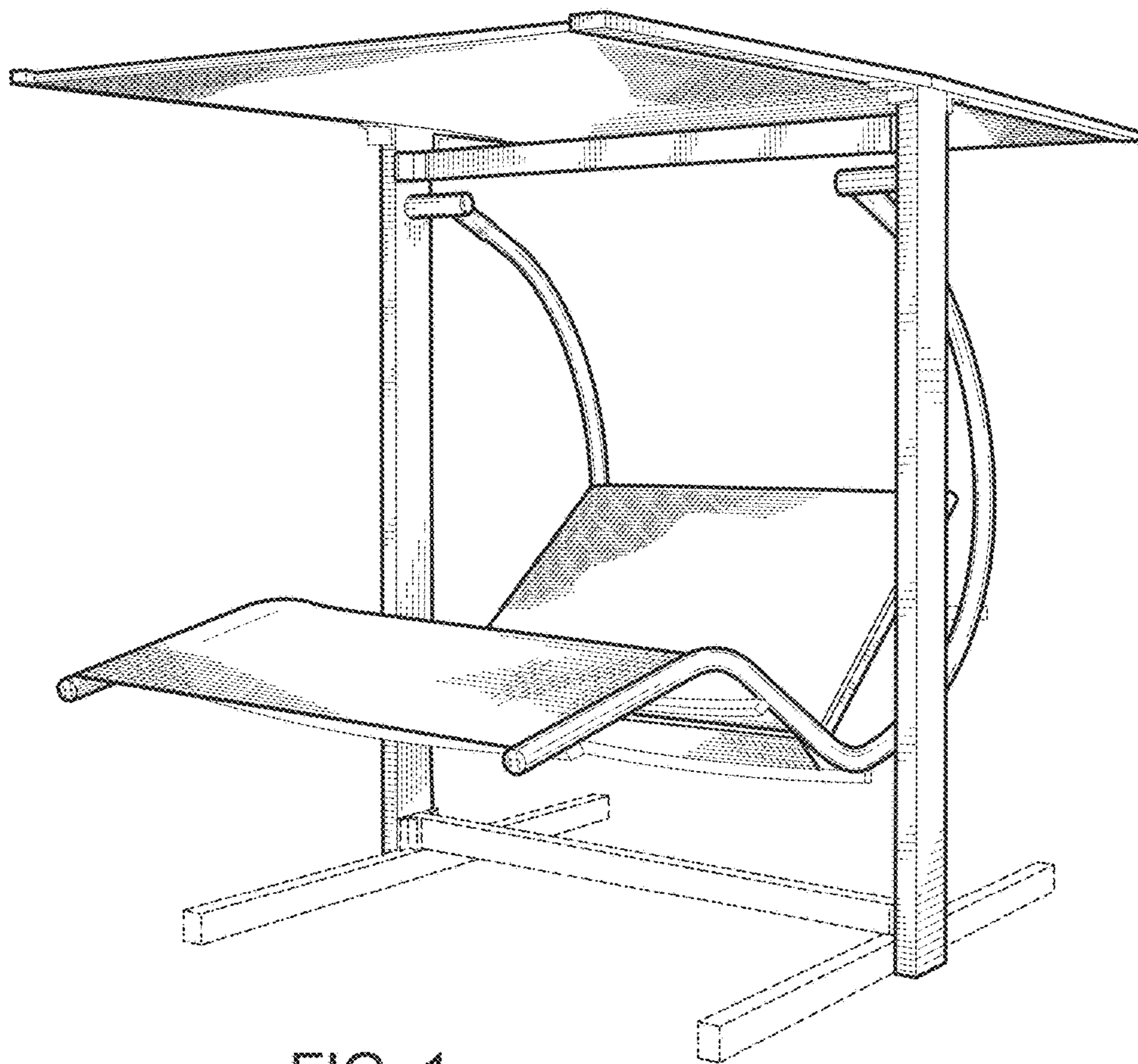


FIG. 1

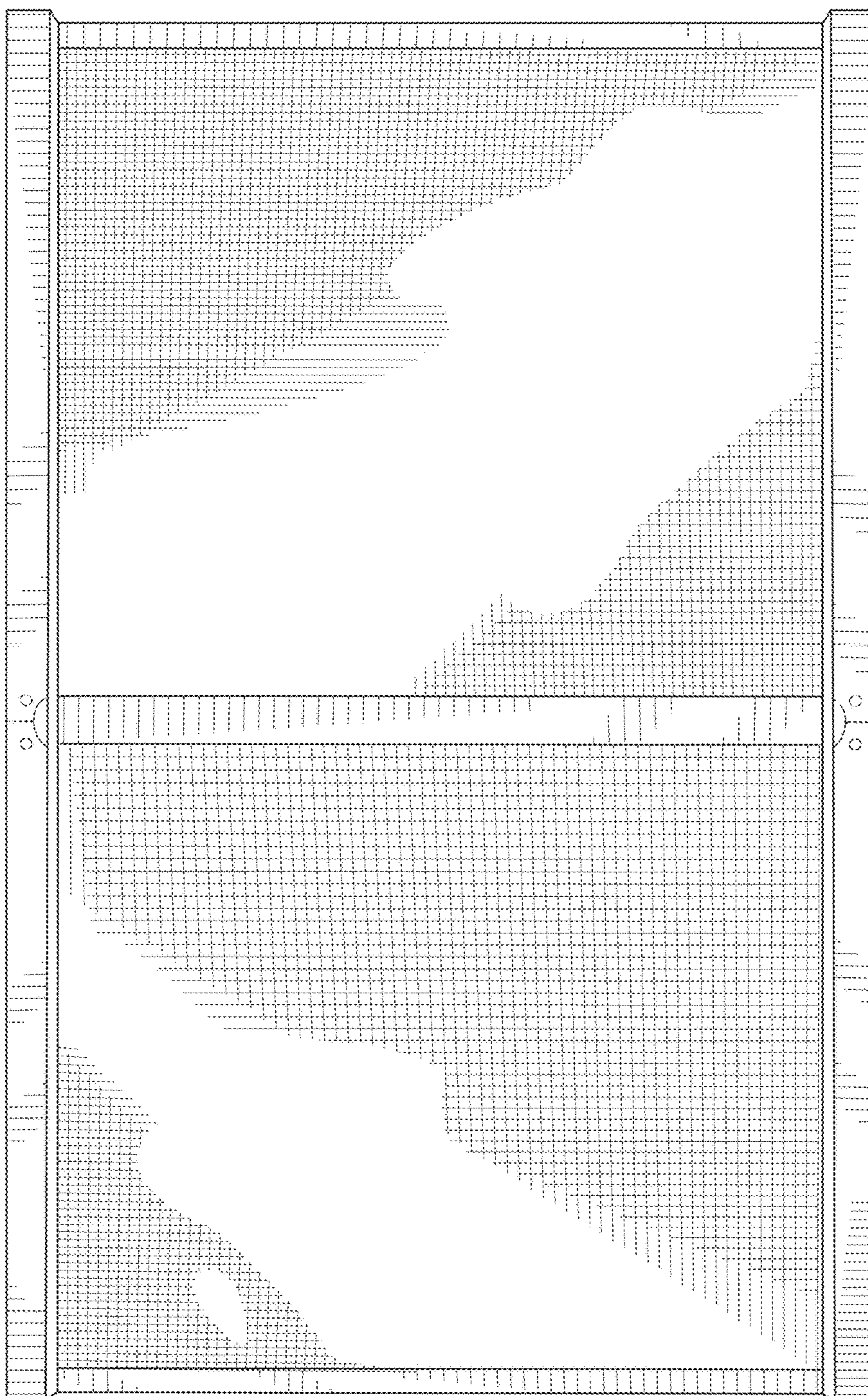


FIG. 2



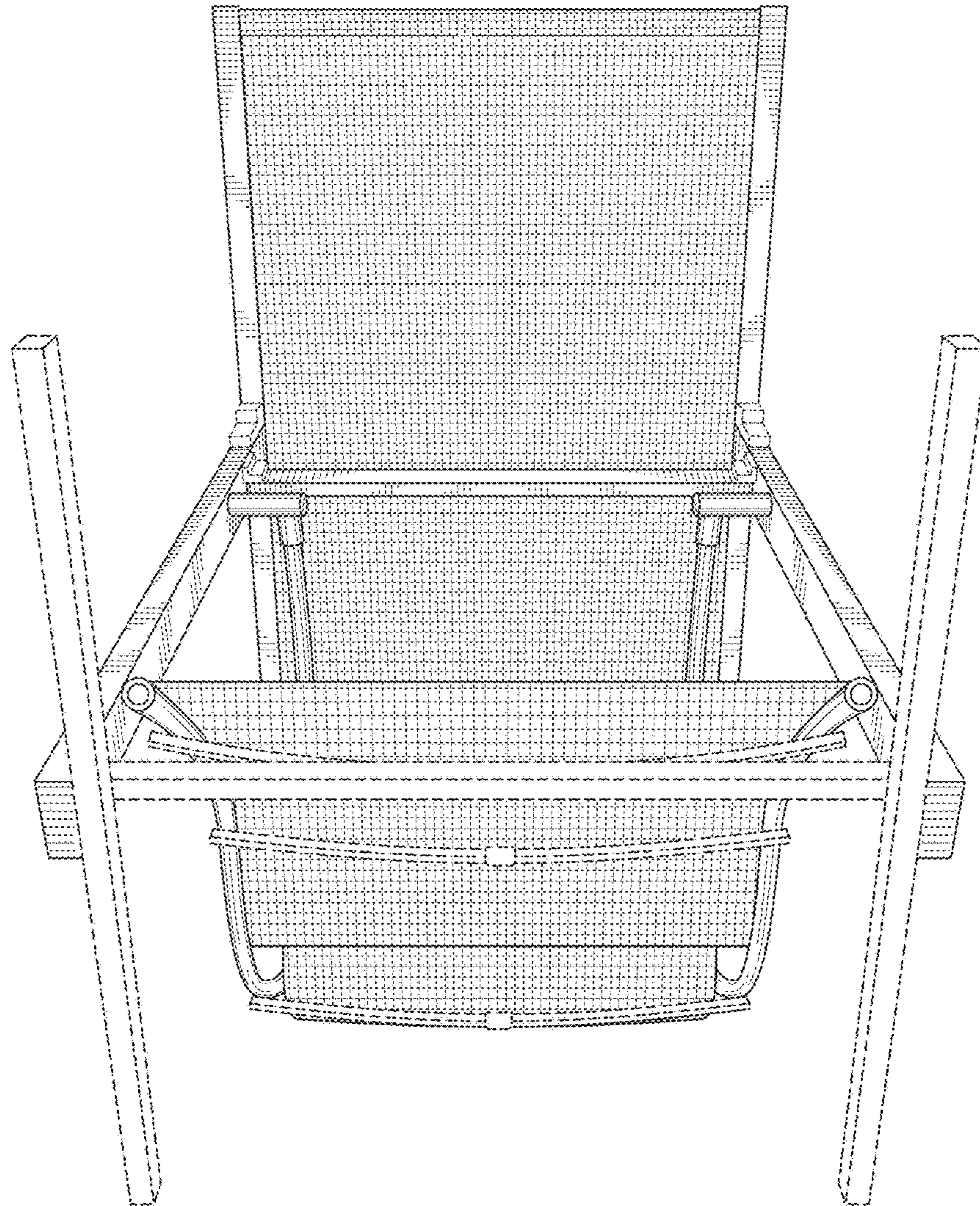


FIG. 3

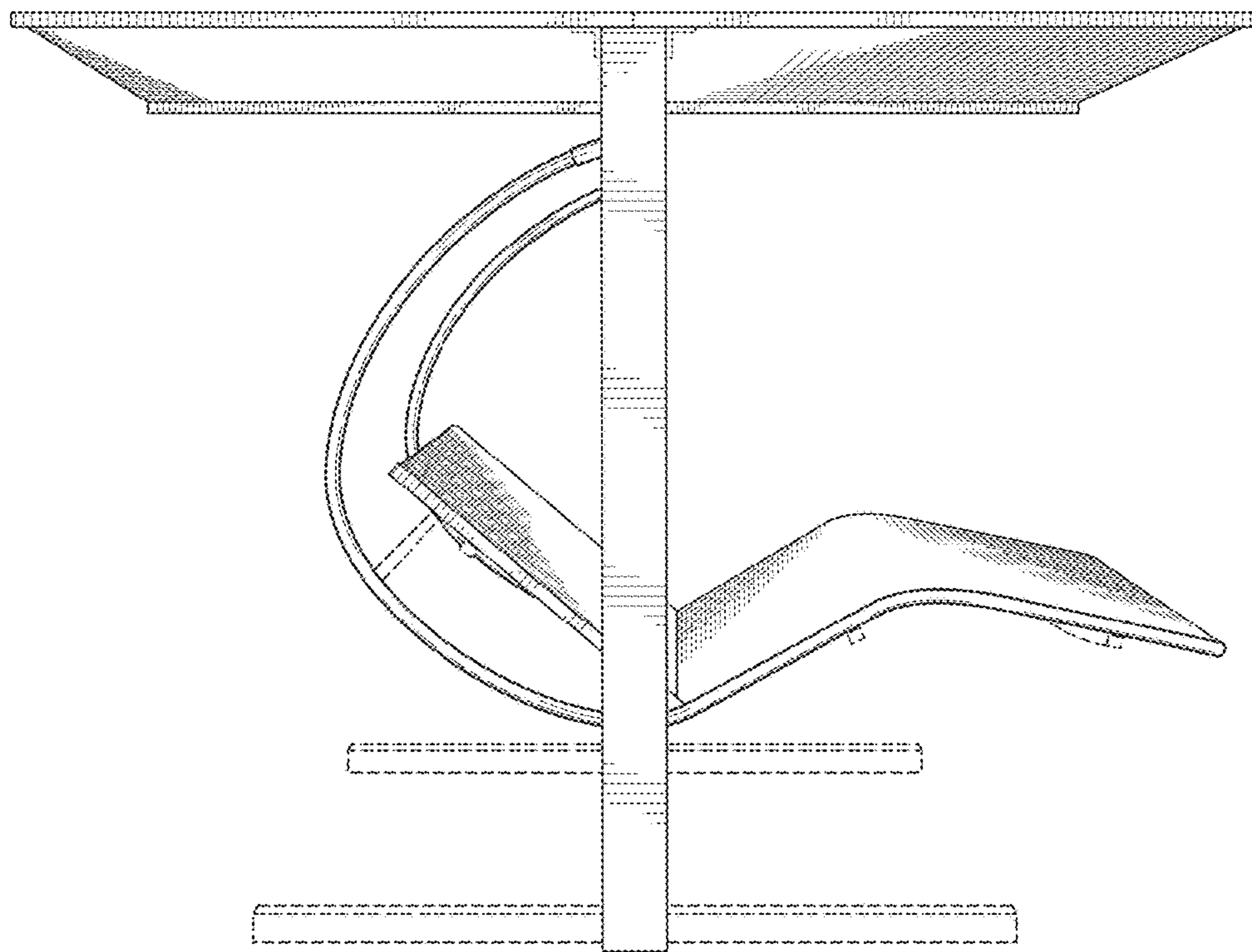


FIG. 4

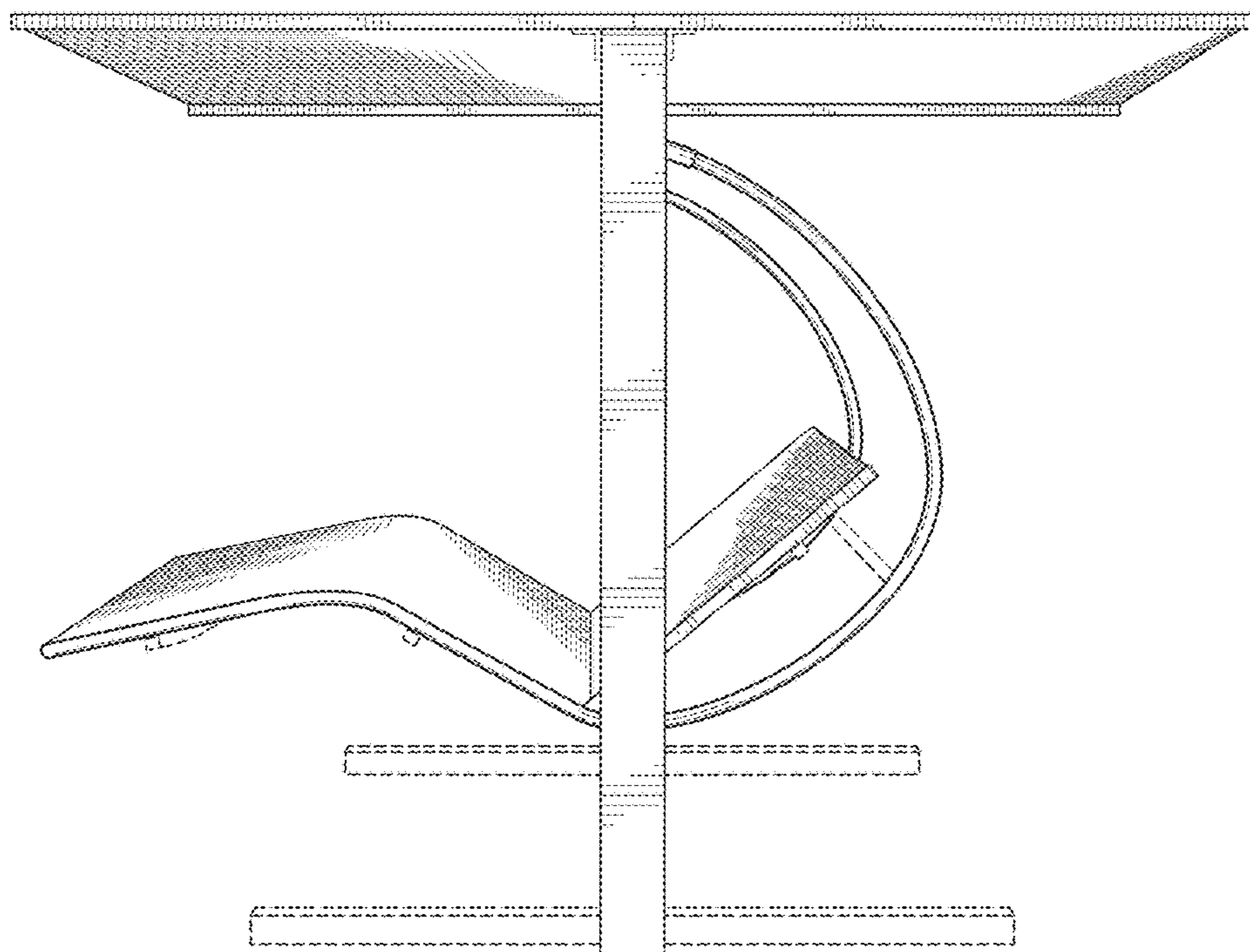


FIG. 5



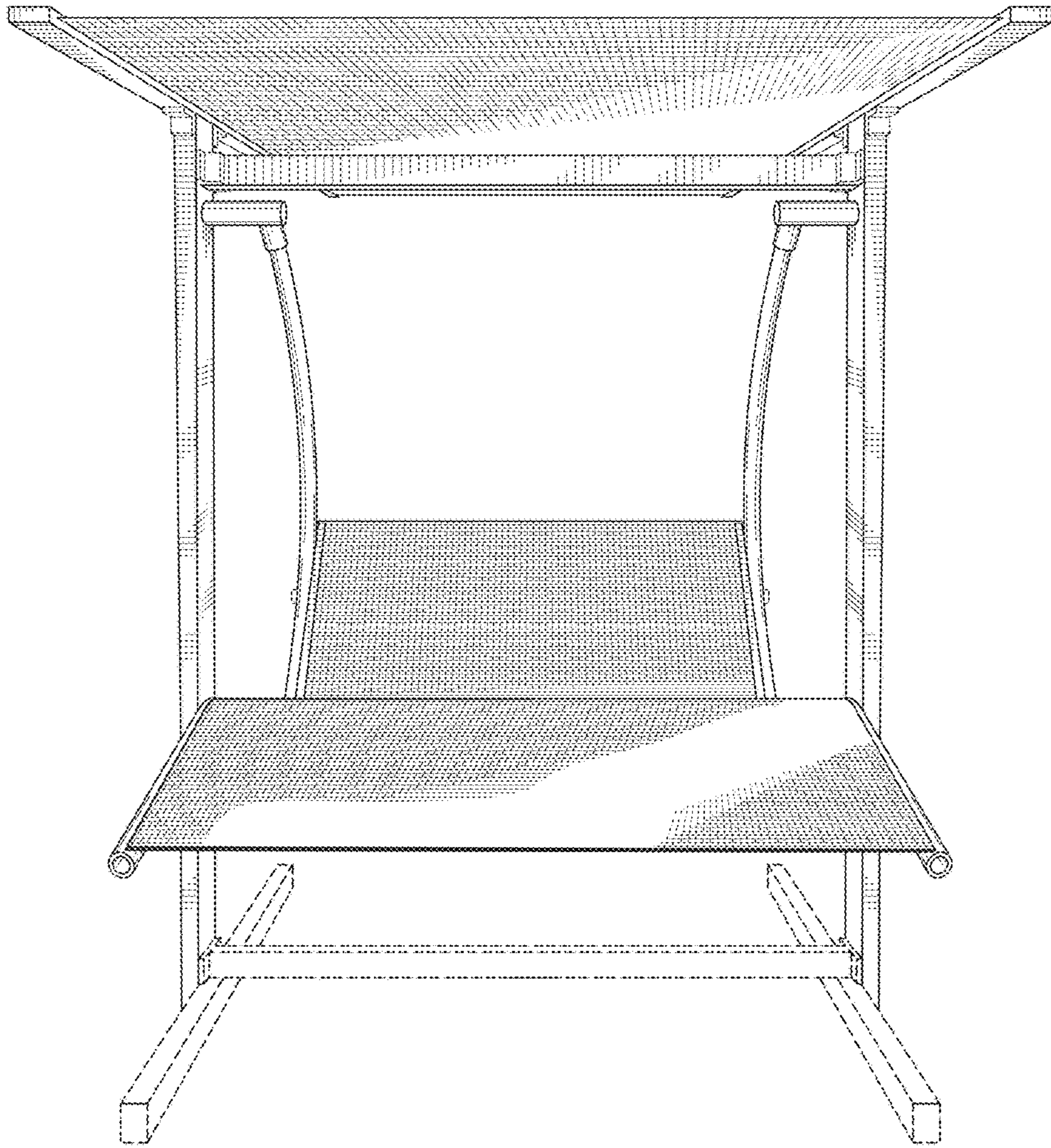


FIG. 6



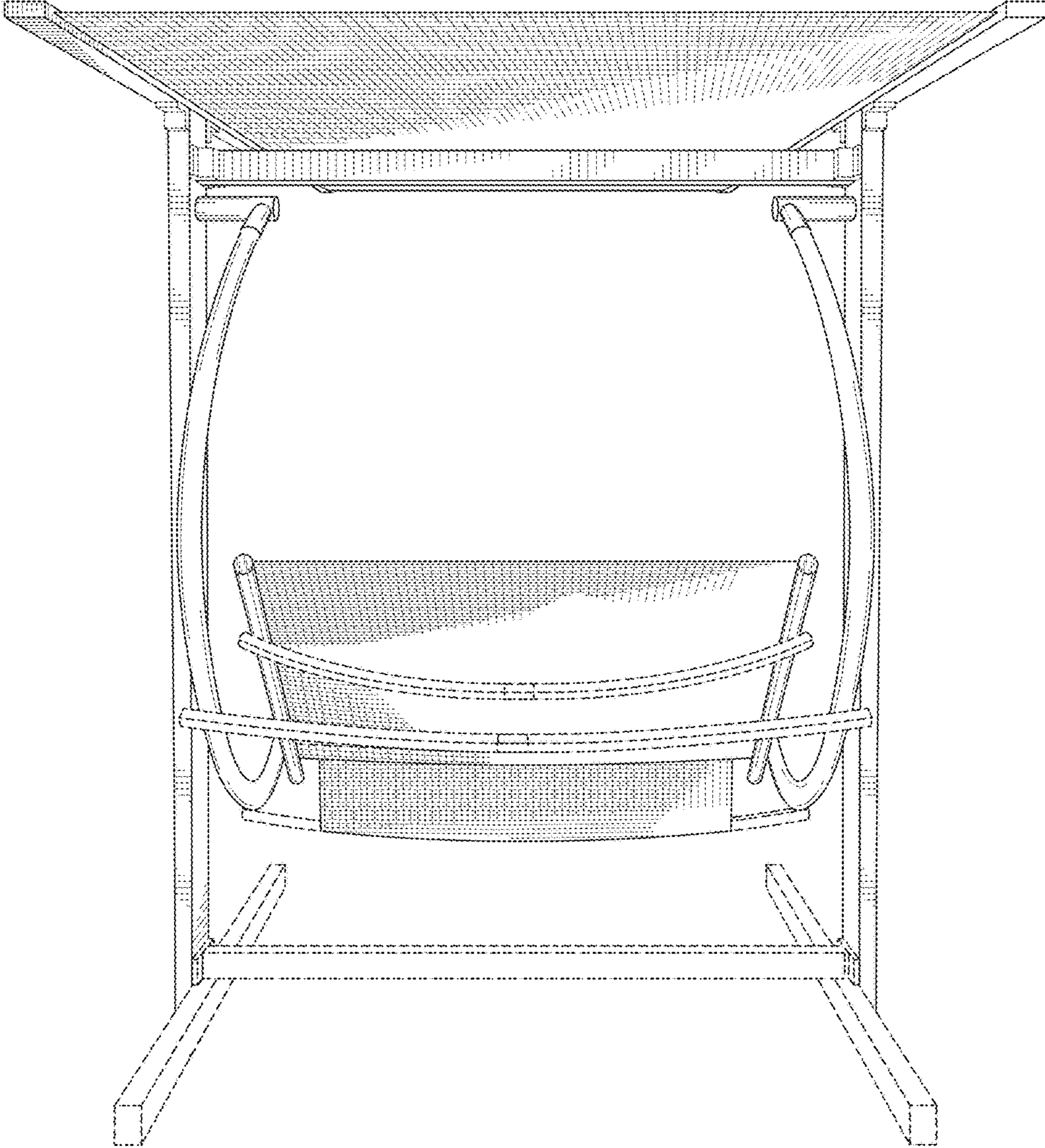


FIG. 7