

US00D804833S

(12) **United States Design Patent** (10) **Patent No.:** **US D804,833 S**  
**Hecht et al.** (45) **Date of Patent:** **\*\* Dec. 12, 2017**

- (54) **CHAIR**
- (71) Applicant: **Herman Miller, Inc.**, Zeeland, MI (US)
- (72) Inventors: **Sam Hecht**, London (GB); **Kimberlee Colin**, London (GB); **Philipp Von Lintel**, London (GB); **Ippei Matsumoto**, London (GB)
- (73) Assignee: **Herman Miller, Inc.**, Zeeland, MI (US)
- (\*\*) Term: **15 Years**
- (21) Appl. No.: **29/557,760**
- (22) Filed: **Mar. 11, 2016**
- (51) **LOC (10) Cl.** ..... **06-01**
- (52) **U.S. Cl.**  
USPC ..... **D6/334**
- (58) **Field of Classification Search**  
USPC ..... D6/334, 335, 336, 360, 361, 367, 368,  
D6/371-375, 379-381, 716, 716.1-716.8  
CPC .... A47C 7/00; A47C 7/62; A47C 7/18; A47C  
7/54; A47C 4/00; A47C 4/028; A47C  
4/28; A47C 3/16; A47C 3/04; A47C 3/12;  
A47C 1/02; A47C 1/14  
See application file for complete search history.

D354,633 S *	1/1995	Frinier	.....	D6/369
D367,365 S *	2/1996	Hutton	.....	D6/334
D465,360 S *	11/2002	Ratza	.....	D6/716
D485,996 S *	2/2004	Stanton	.....	D6/334
D505,277 S *	5/2005	Tapinassi	.....	D6/334
D508,787 S *	8/2005	Natuzzi	.....	D6/364
D509,370 S *	9/2005	Natuzzi	.....	D6/334
D530,527 S *	10/2006	Jourdan	.....	D6/334
D549,471 S *	8/2007	Bauchet	.....	D6/344
D549,971 S *	9/2007	Jourdan	.....	D6/344
D550,464 S *	9/2007	Bauchet	.....	D6/334
D579,224 S *	10/2008	Fancelli	.....	D6/372
D678,691 S *	3/2013	Frinier	.....	D6/369
D684,785 S *	6/2013	Hwangbo	.....	D6/367
D730,670 S *	6/2015	Kubryk	.....	D6/716
D766,006 S *	9/2016	Lewis	.....	D6/381
D766,640 S *	9/2016	Kubryk	.....	D6/716
D767,318 S *	9/2016	Kubryk	.....	D6/716

\* cited by examiner

*Primary Examiner* — Deanna L Pratt  
(74) *Attorney, Agent, or Firm* — Michael Best & Friedrich LLP

(57) **CLAIM**

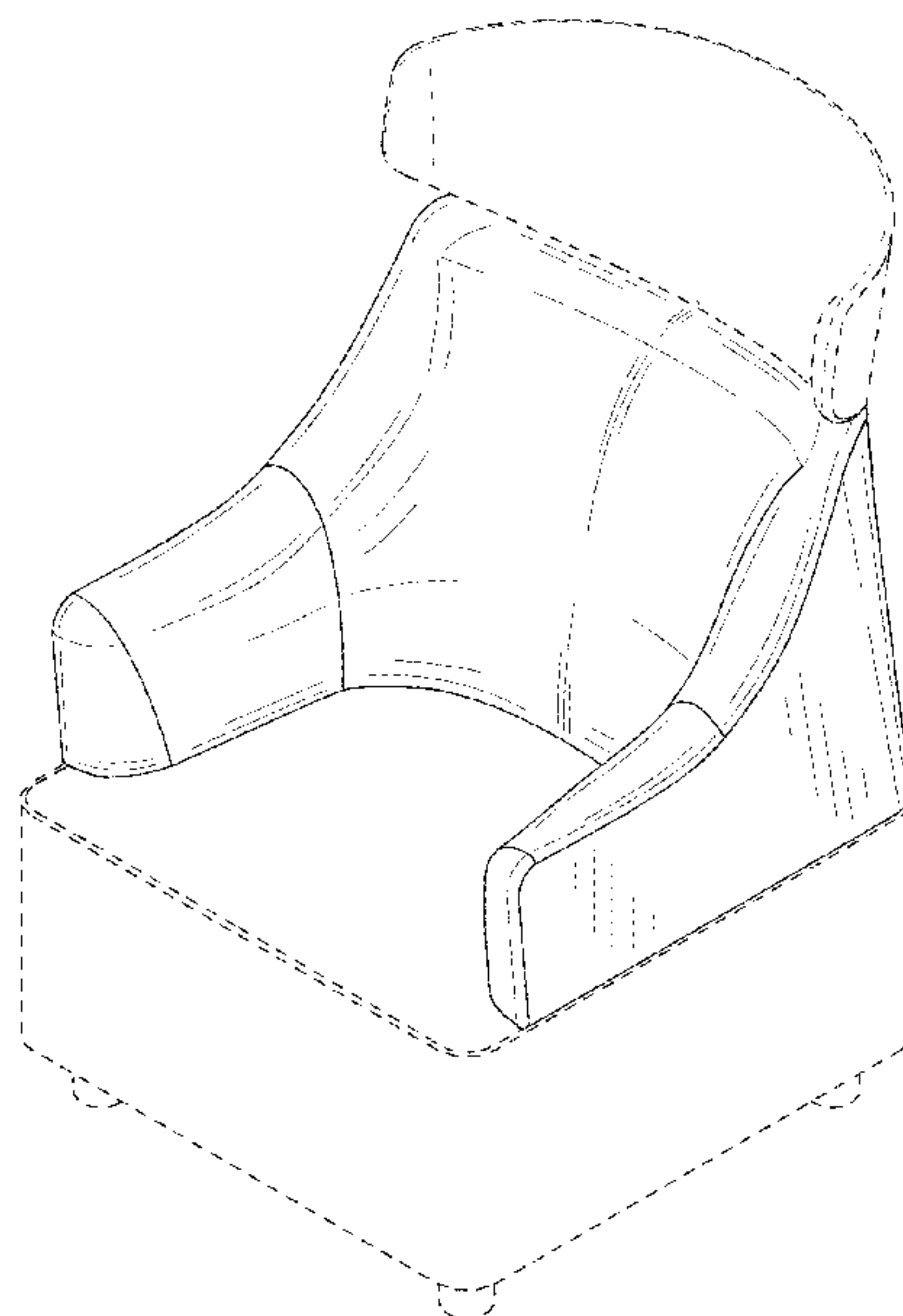
We claim the ornamental design for a chair, as shown and described.

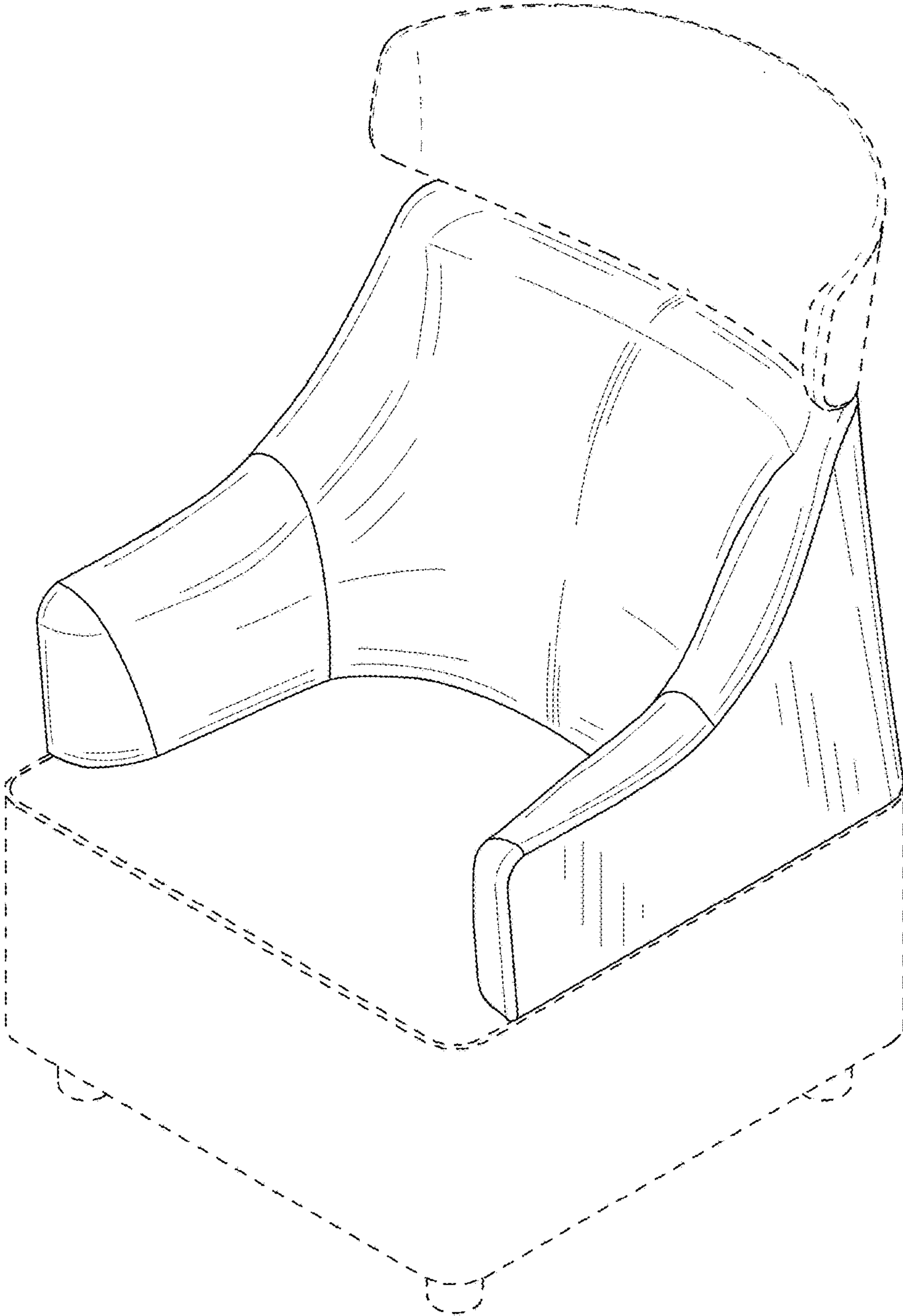
**DESCRIPTION**

FIG. 1 is a perspective view of a chair embodying the invention.  
FIG. 2 is a front view of the chair of FIG. 1.  
FIG. 3 is a rear view of the chair of FIG. 1.  
FIG. 4 is a first side view of the chair of FIG. 1.  
FIG. 5 is a second side view of the chair of FIG. 1; and,  
FIG. 6 is a top view of the chair of FIG. 1.  
Portions of the chair shown in broken lines form no part of the claimed design.

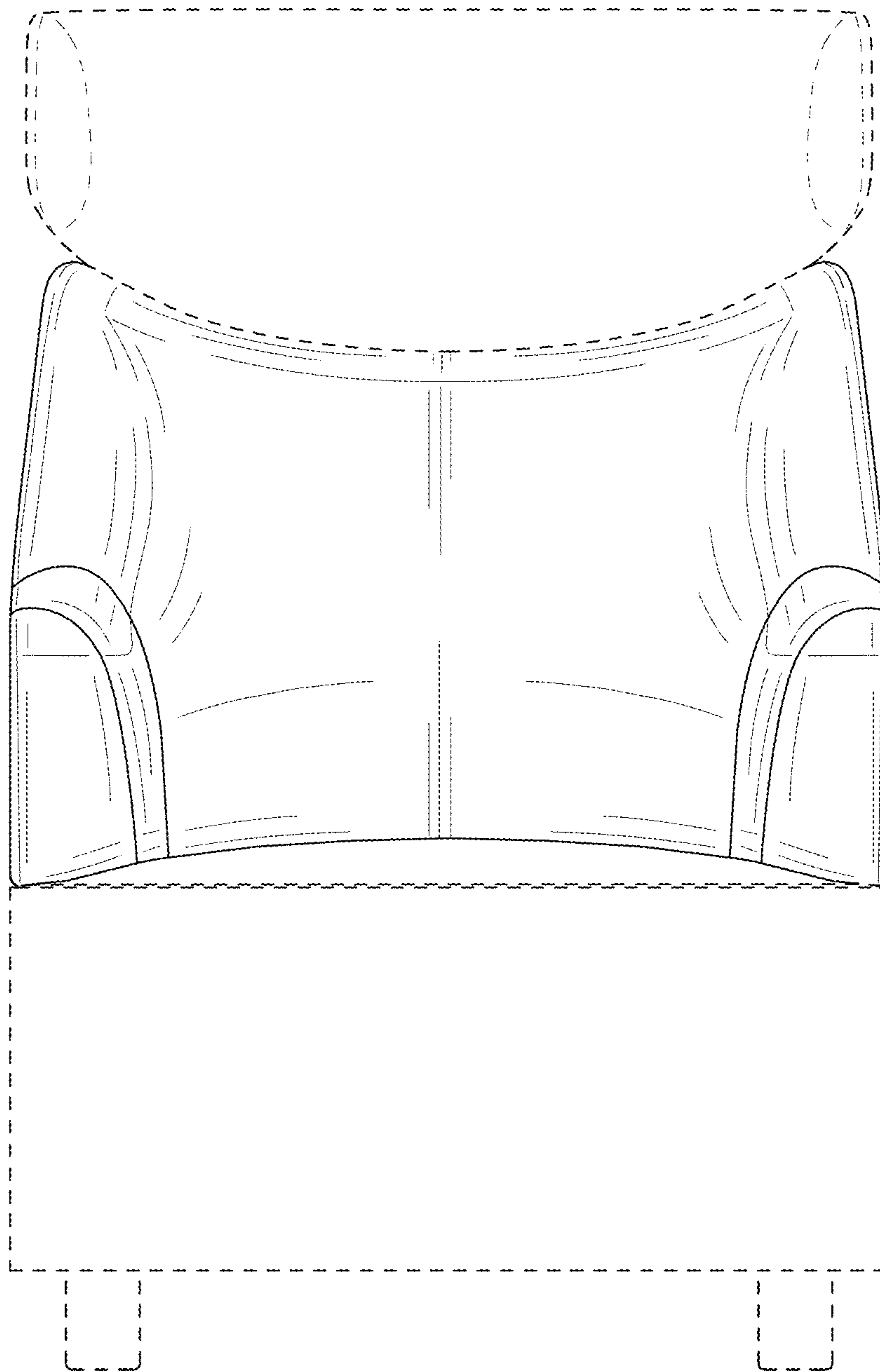
**1 Claim, 6 Drawing Sheets**

- (56) **References Cited**  
U.S. PATENT DOCUMENTS
- |              |         |           |       |        |
|--------------|---------|-----------|-------|--------|
| D181,945 S * | 1/1958  | Saارين    | ..... | D6/365 |
| D257,301 S * | 10/1980 | Nash      | ..... | D6/381 |
| D264,403 S * | 5/1982  | Webb      | ..... | D6/334 |
| D278,581 S * | 4/1985  | Melchior  | ..... | D6/334 |
| D288,506 S * | 3/1987  | Ochsner   | ..... | D6/375 |
| D327,583 S * | 7/1992  | Dettinger | ..... | D6/334 |
| D335,779 S * | 5/1993  | Newhouse  | ..... | D6/334 |
| D337,450 S * | 7/1993  | Dettinger | ..... | D6/334 |
| D338,112 S * | 8/1993  | Hutton    | ..... | D6/334 |

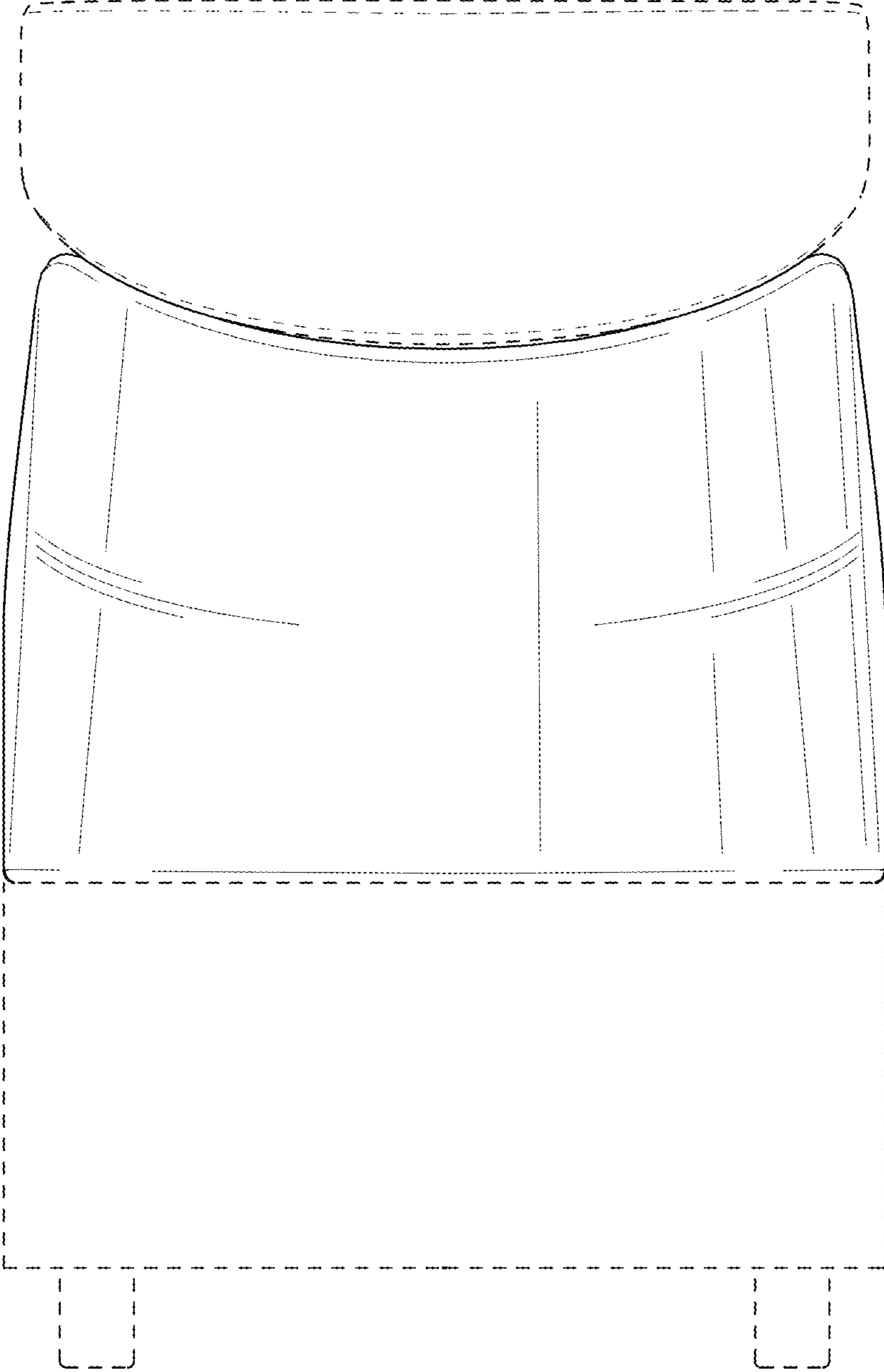




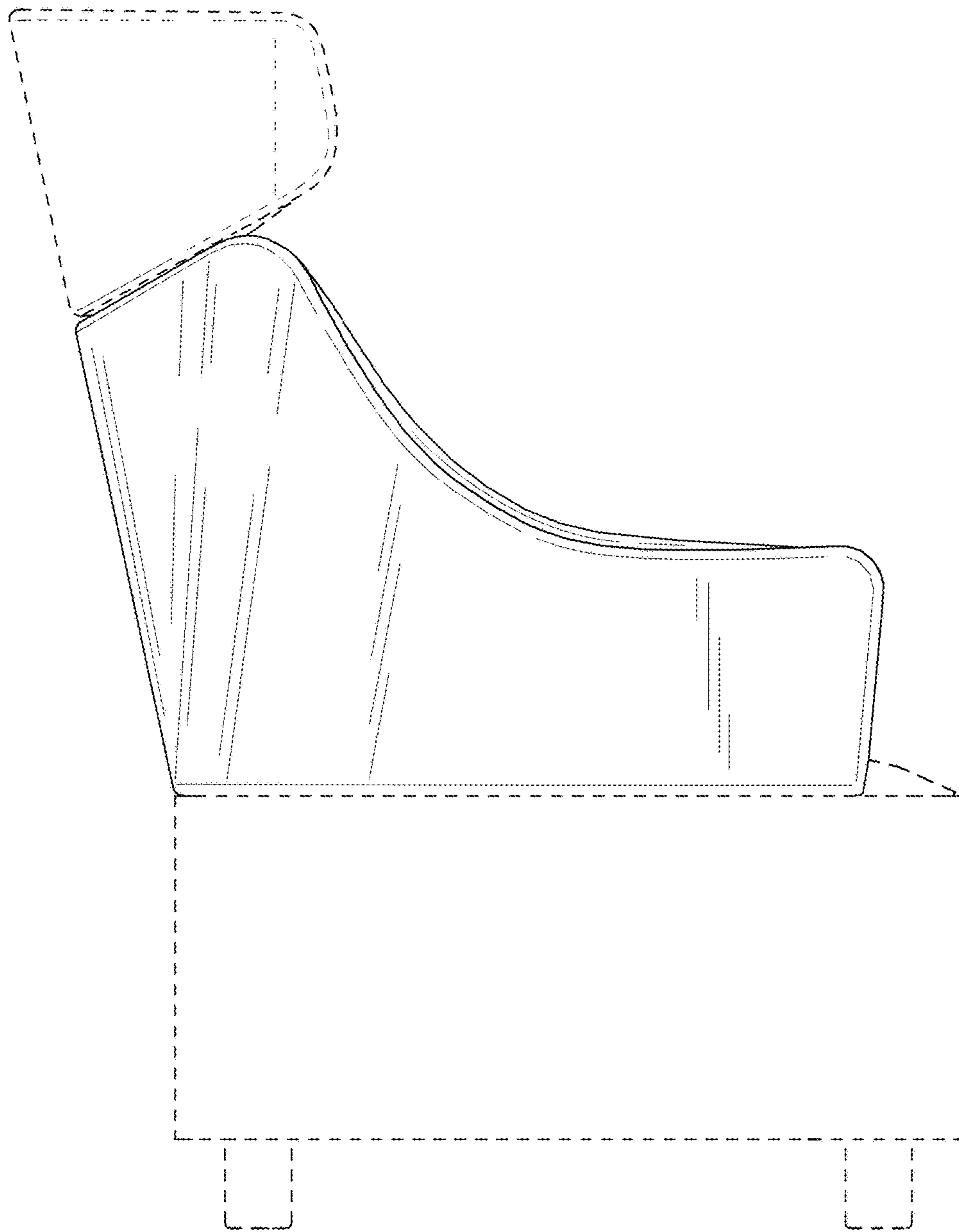
**FIG. 1**



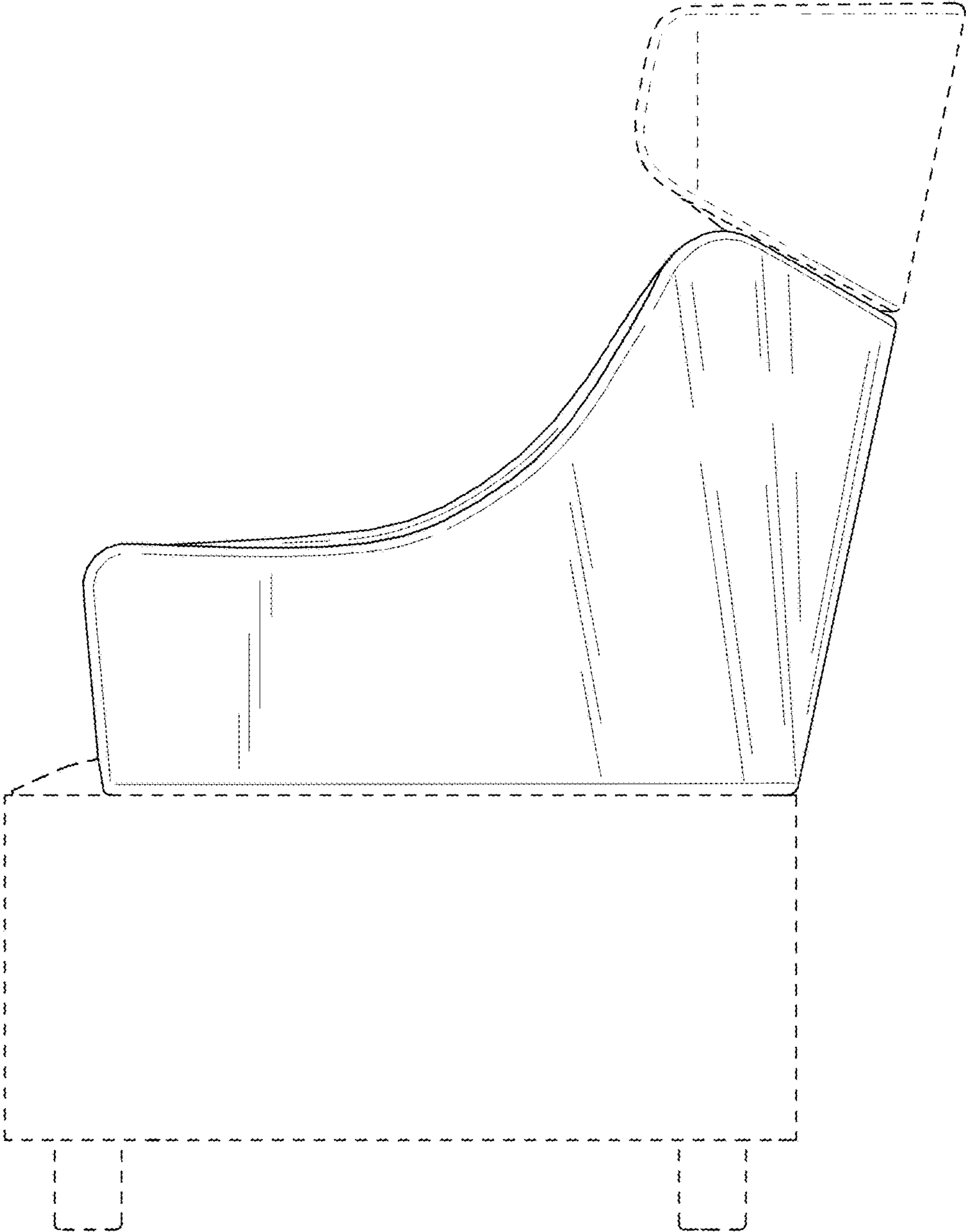
**FIG. 2**



**FIG. 3**

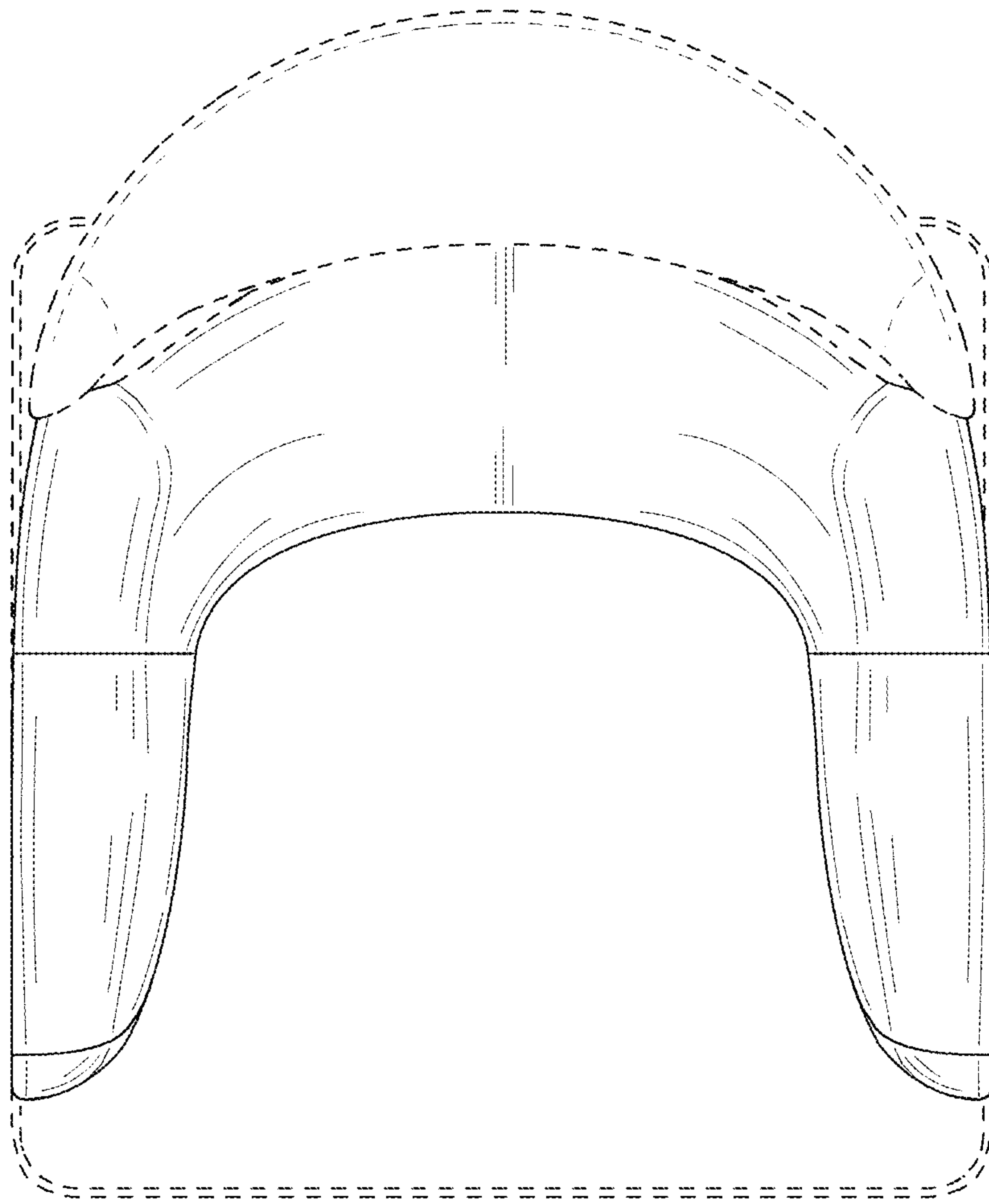


**FIG. 4**



**FIG. 5**





**FIG. 6**