



US00D804831S

(12) **United States Design Patent**
Neri et al.

(10) **Patent No.:** **US D804,831 S**

(45) **Date of Patent:** **** Dec. 12, 2017**

(54) **MIRROR STAND**

(71) Applicant: **POLTRONA FRAU S.p.A.**, Meda (IT)

(72) Inventors: **Lyndon Neri**, Shanghai (CN); **Rossana Hu**, Shanghai (CN)

(73) Assignee: **POLTRONA FRAU S.P.A.**, Meda (IT)

(**) Term: **15 Years**

(21) Appl. No.: **29/582,434**

(22) Filed: **Oct. 27, 2016**

(30) **Foreign Application Priority Data**

May 9, 2016 (EP) 003117480-0003

(51) **LOC (10) Cl.** **06-07**

(52) **U.S. Cl.**

USPC **D6/309**; D6/321

(58) **Field of Classification Search**

USPC D6/300-314, 673, 681

CPC .. A47G 1/00; A47G 1/02; A47B 43/00; A47B 83/00

See application file for complete search history.

(56) **References Cited**

U.S. PATENT DOCUMENTS

799,253 A * 9/1905 Nichols A47B 67/02
312/204

D302,767 S * 8/1989 Morrozzi D6/300

D329,753 S * 9/1992 Delafield D6/311
5,681,100 A * 10/1997 Powell A47B 67/005
248/474

D407,906 S * 4/1999 Warshawsky D6/309
6,053,618 A * 4/2000 Arpin A61G 7/05
248/474

D669,703 S * 10/2012 Wu D6/310
9,103,980 B2 * 8/2015 Gipson A47G 1/02

* cited by examiner

Primary Examiner — Deanna L Pratt

(74) *Attorney, Agent, or Firm* — Hogan Lovells US LLP

(57) **CLAIM**

The ornamental design for a mirror stand, as shown and described.

DESCRIPTION

FIG. 1 is a perspective view of a mirror stand showing the design;

FIG. 2 is a front view thereof;

FIG. 3 is a rear view thereof;

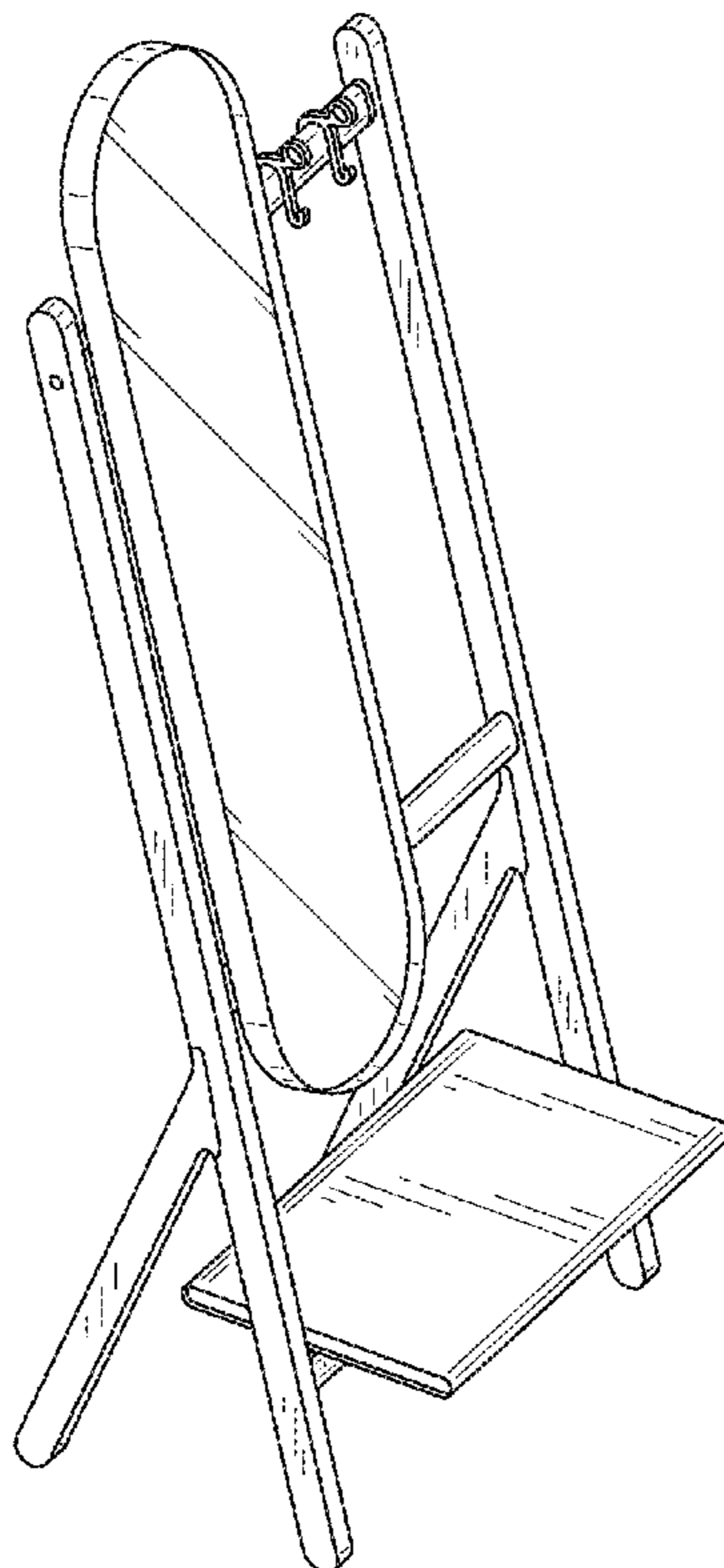
FIG. 4 is a left side view thereof;

FIG. 5 is a right side view thereof;

FIG. 6 is a top view thereof; and,

FIG. 7 is a bottom view thereof.

1 Claim, 5 Drawing Sheets



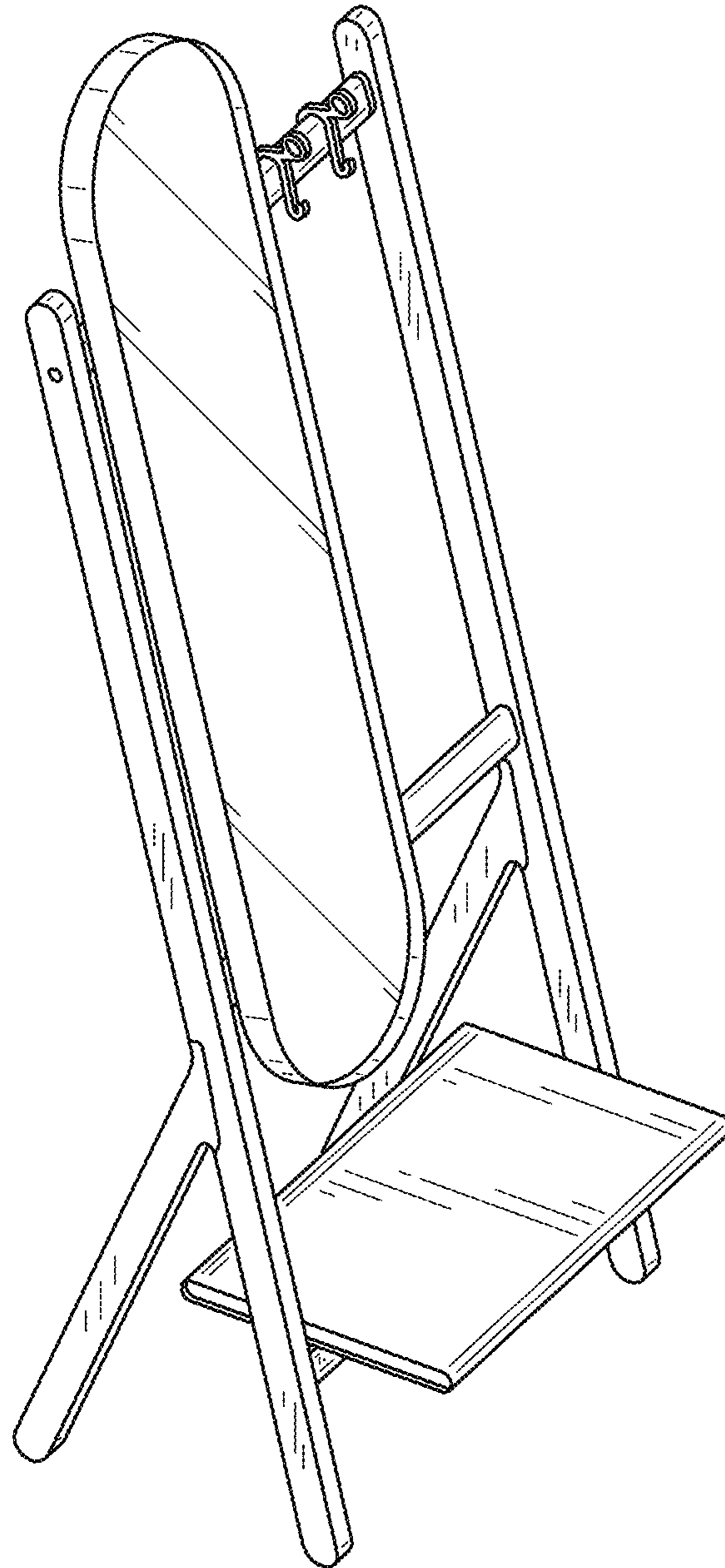


FIG.1

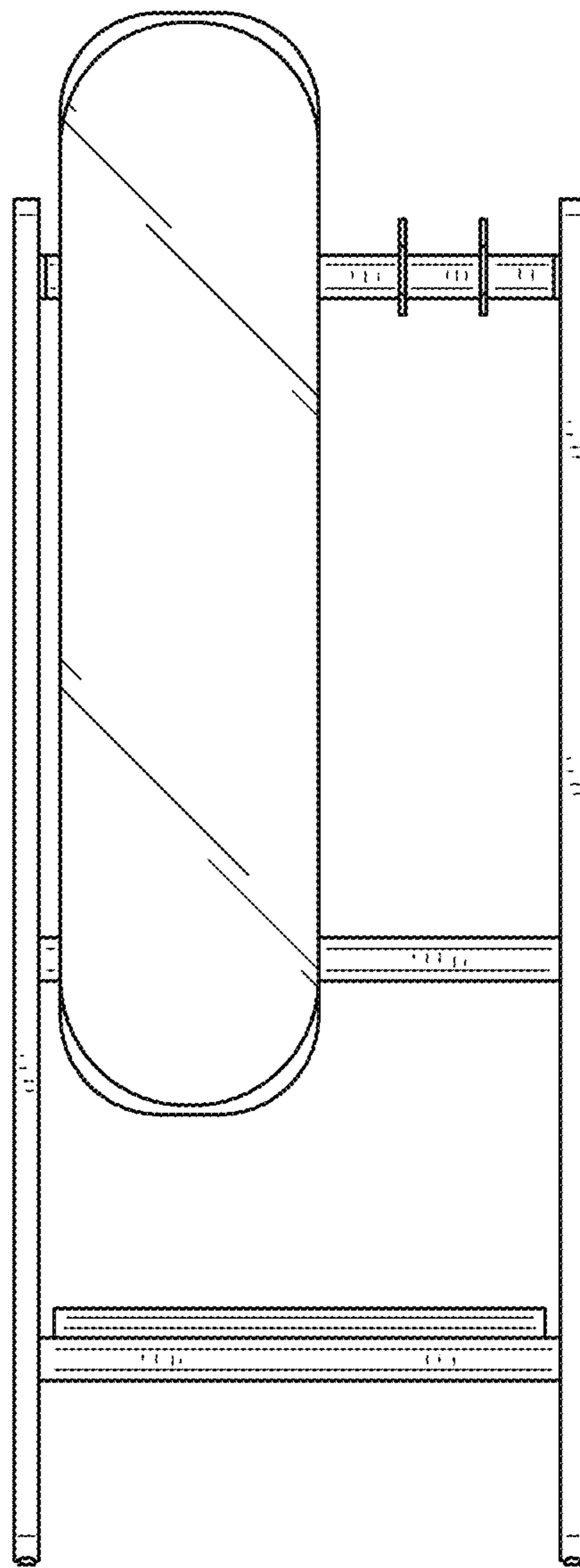


FIG.2

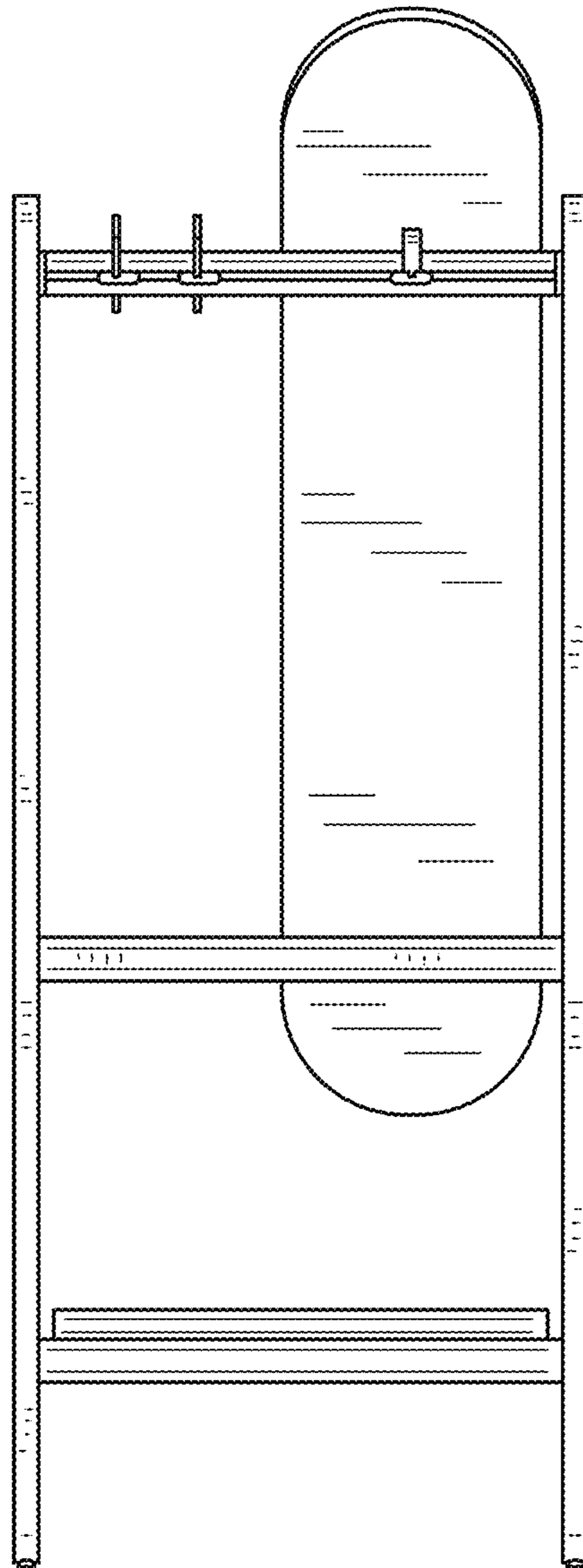


FIG.3

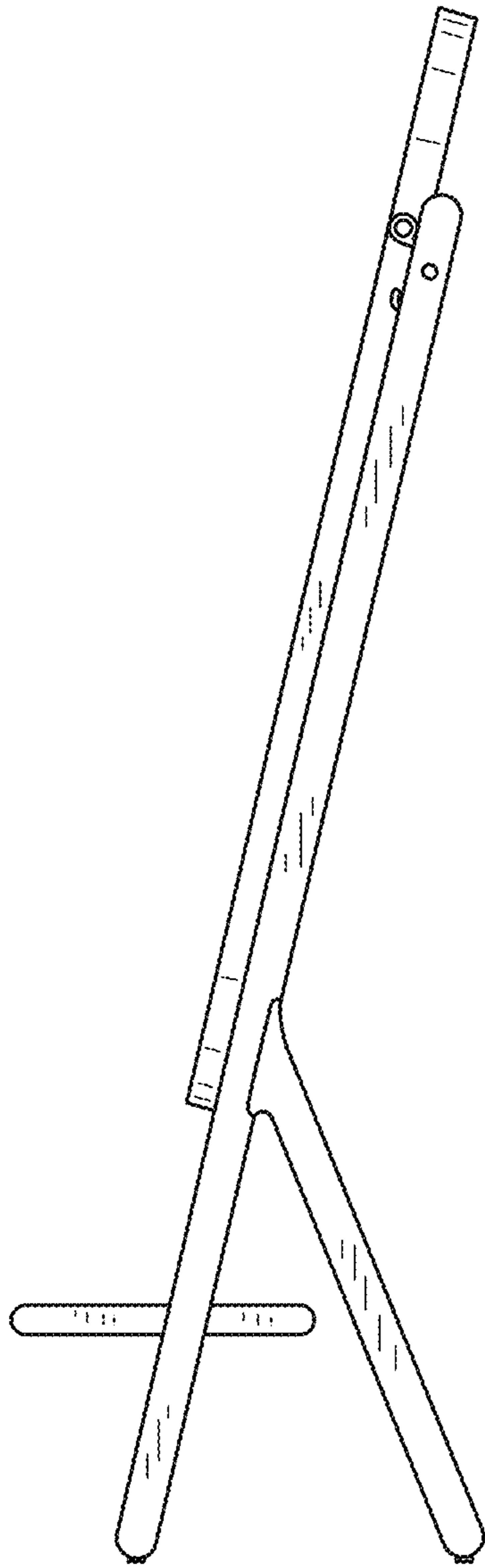


FIG. 4

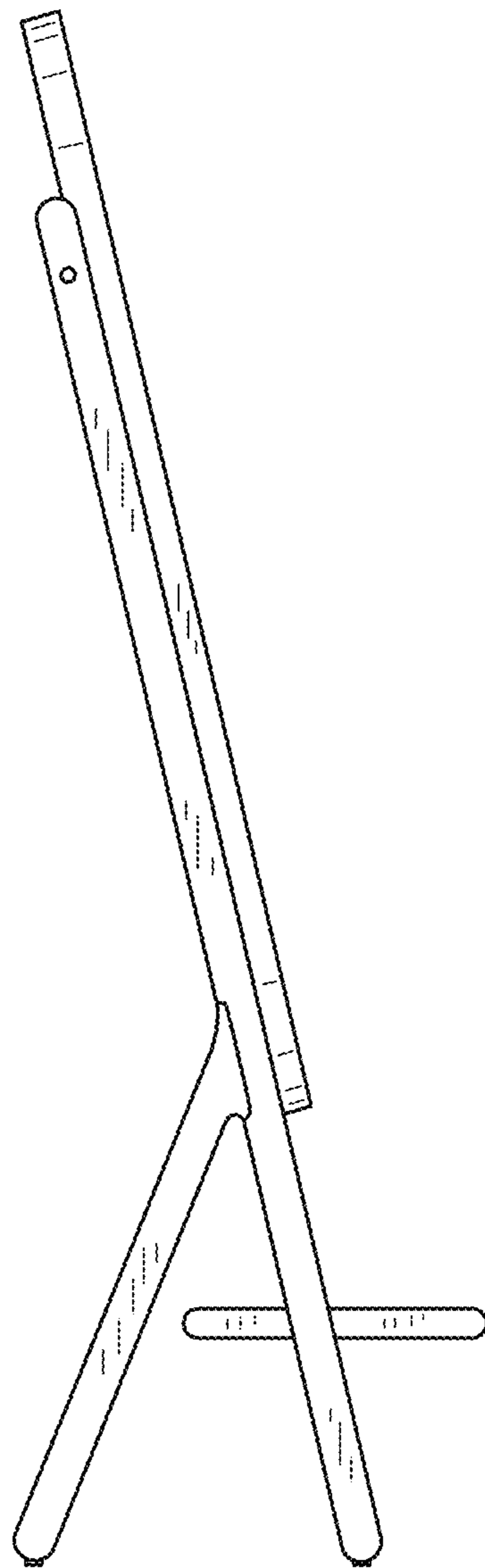


FIG. 5

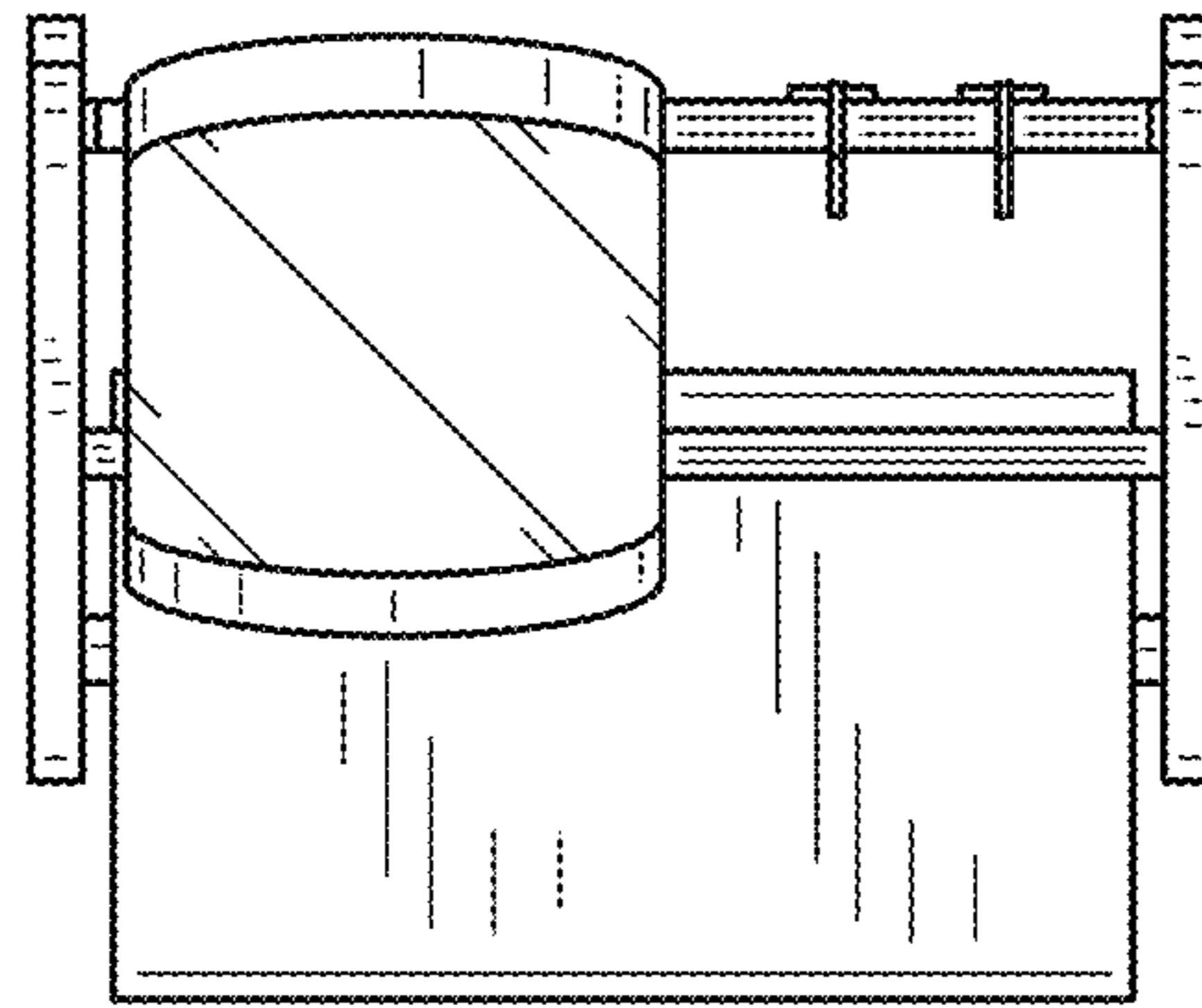


FIG. 6

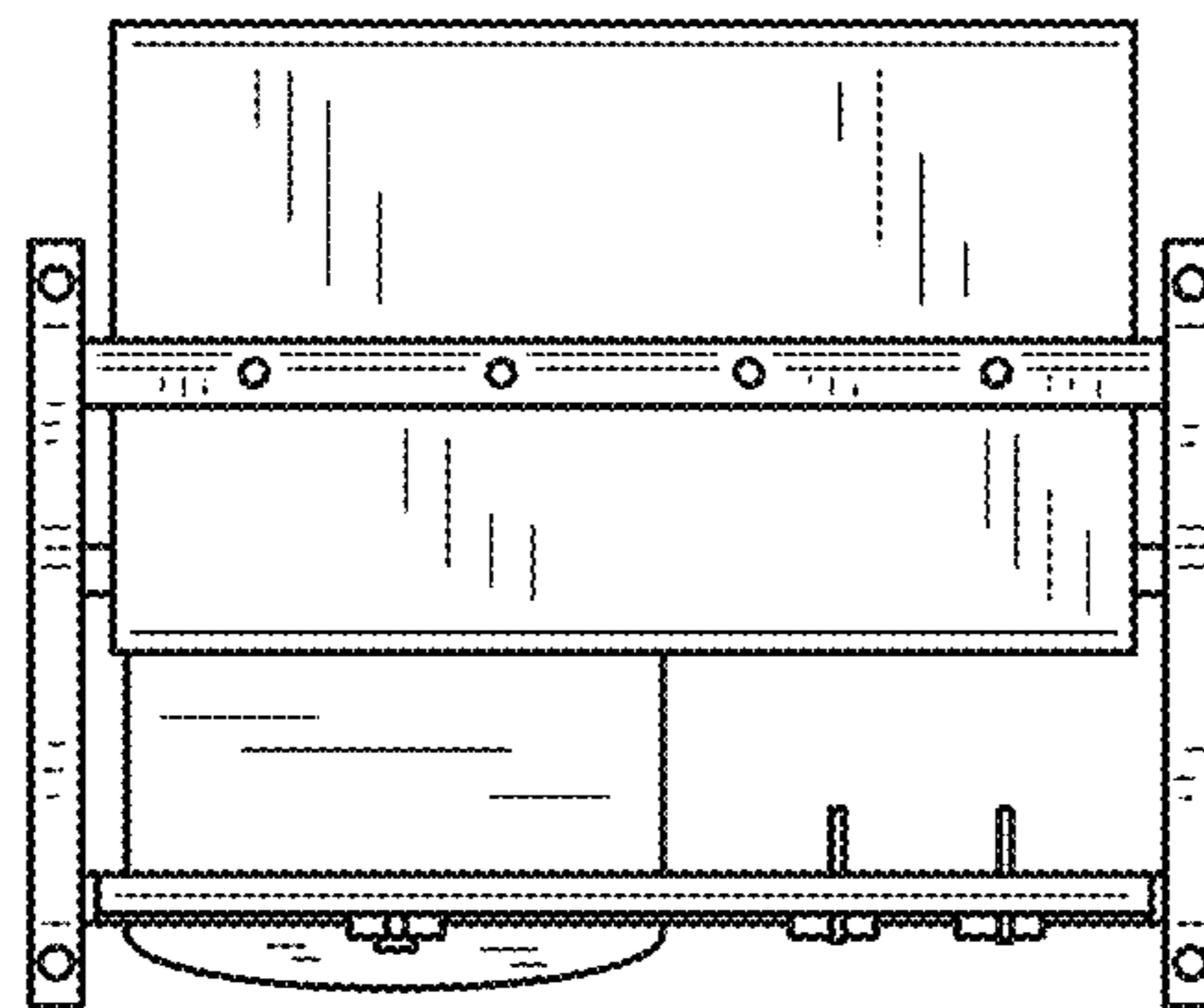


FIG. 7