



US00D804827S

(12) **United States Design Patent** (10) **Patent No.:** **US D804,827 S**
Smith (45) **Date of Patent:** **** Dec. 12, 2017**

(54) **A-COIL BRUSH**

2200/3033; A46B 2200/3093; H01L
21/67046

(71) Applicant: **Ronald Wade Smith**, Chouteau, OK
(US)

See application file for complete search history.

(72) Inventor: **Ronald Wade Smith**, Chouteau, OK
(US)

(56) **References Cited**

(**) Term: **15 Years**

U.S. PATENT DOCUMENTS

(21) Appl. No.: **29/596,431**

D126,048 S *	3/1941	Lang	D4/135
D218,387 S *	8/1970	Whitaker	D4/118
D222,025 S *	9/1971	Whitaker	D4/118
D222,524 S *	11/1971	Jedora	D4/100
D262,671 S *	1/1982	Erickson	D4/136
D371,004 S *	6/1996	Peischl	D28/7
D405,614 S *	2/1999	Geardino	D28/25
D470,315 S *	2/2003	Tapley	D4/138
D521,243 S *	5/2006	Olsson	D4/118
D530,924 S *	10/2006	Davis	D4/138
D595,058 S *	6/2009	Davis	D4/138
D614,407 S *	4/2010	Muhl	D4/135
D634,935 S *	3/2011	Kobke	D4/116
D773,829 S *	12/2016	Lambertson, Jr.	D4/138

(22) Filed: **Mar. 8, 2017**

Related U.S. Application Data

(Continued)

(63) Continuation of application No. 14/948,814, filed on
Nov. 23, 2015.

(51) **LOC (10) Cl.** **04-01**

Primary Examiner — Keli L Hill

(52) **U.S. Cl.**
USPC **D4/132; D4/116**

(74) *Attorney, Agent, or Firm* — Head, Johnson,
Kachigian & Wilkinson, PC

(58) **Field of Classification Search**
USPC D4/100, 102, 117, 130–136, 138, 116,
D4/118; 15/21.1, 143.1, 145, 159.1, 160,
15/186–188; 132/120, 142, 313; D8/80,
D8/83, 94, 107, 300

(57) **CLAIM**

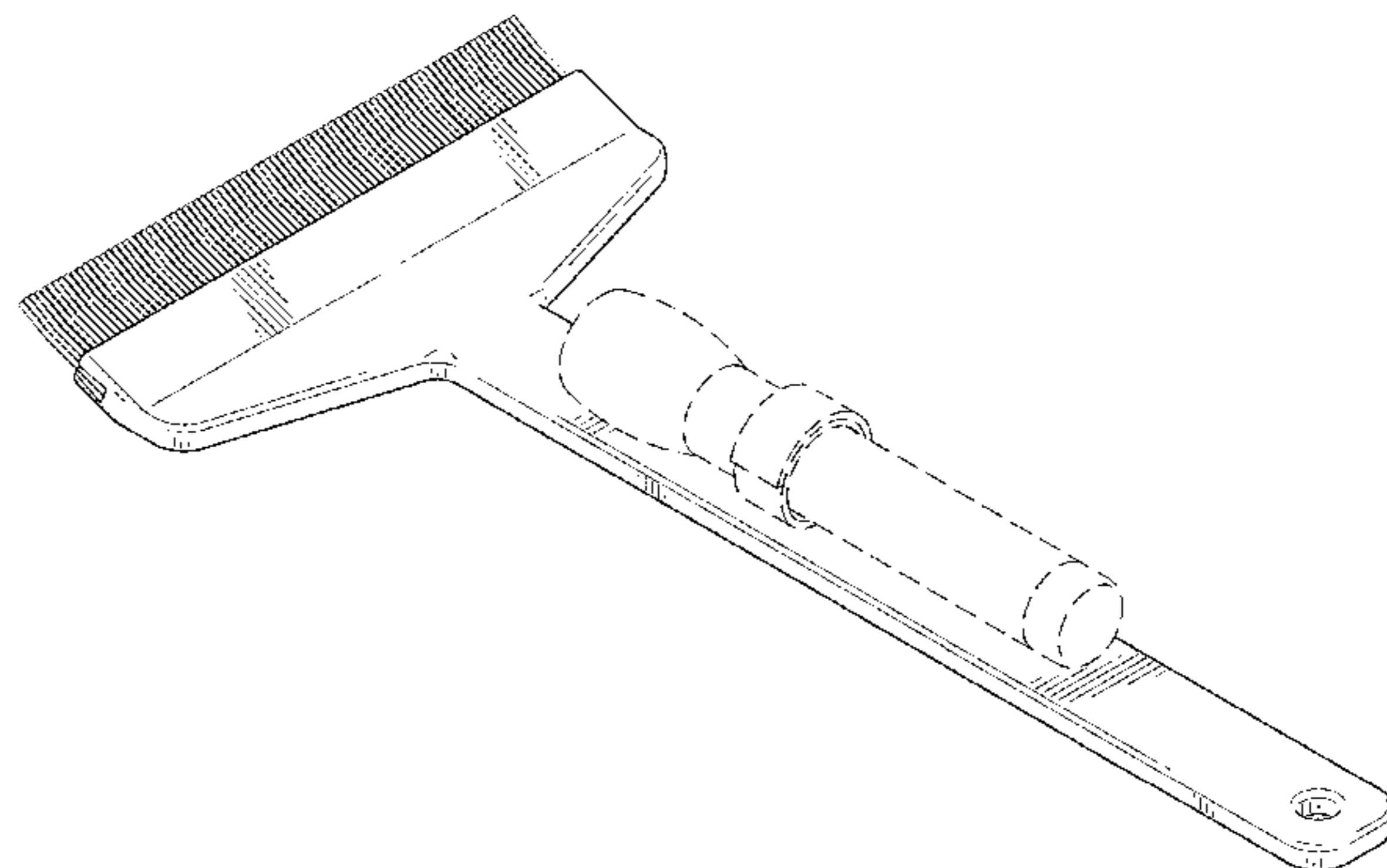
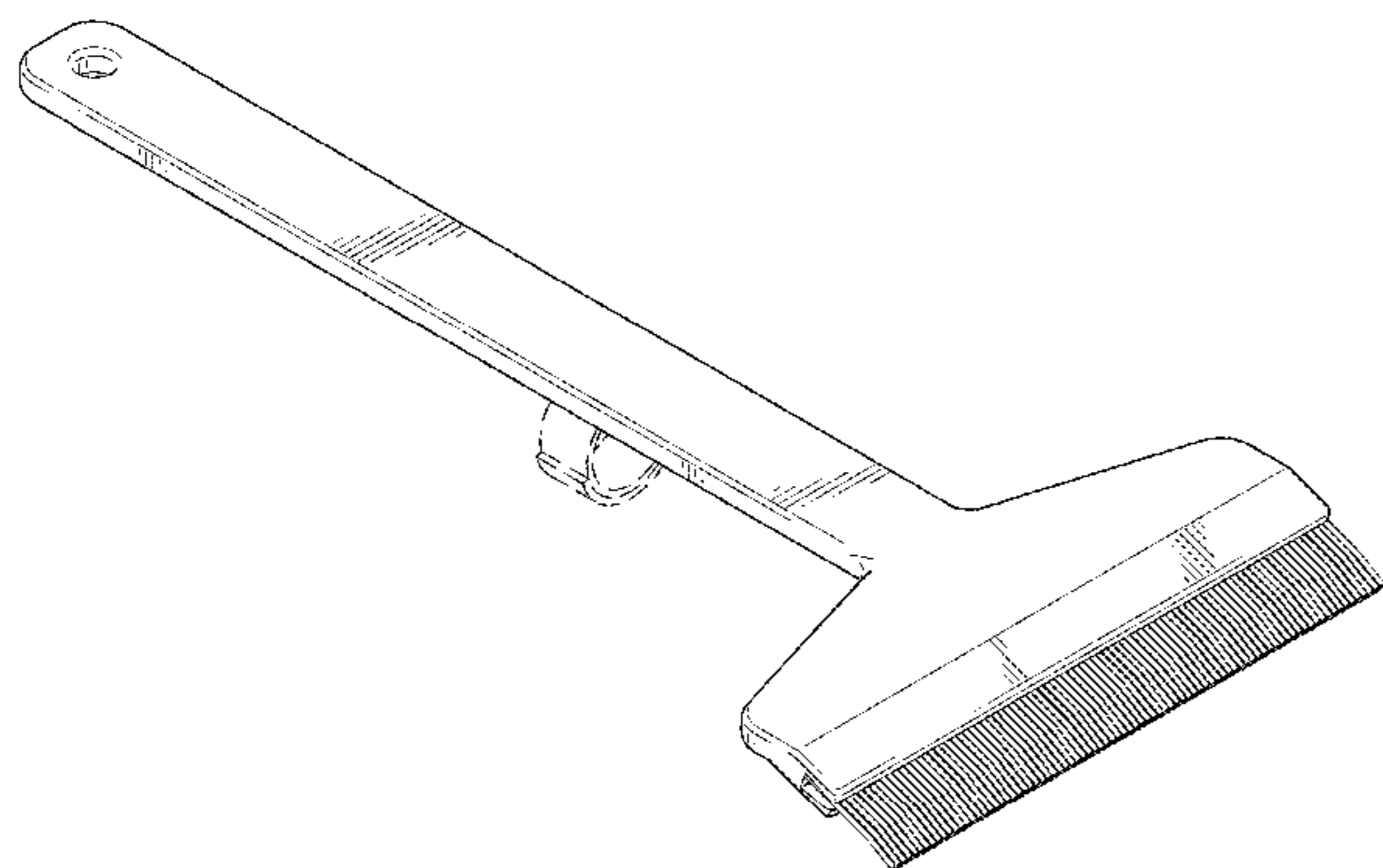
The ornamental design for an a-coil brush, as shown and
described.

CPC A45D 24/14; A45D 24/16; A46B 3/005;
A46B 5/00; A46B 5/02; A46B 5/021;
A46B 9/02; A46B 9/021; A46B 9/023;
A46B 13/001; A46B 13/008; A46B
15/0055; A46B 15/0081; A46B 15/0087;
A46B 17/02; A46B 2200/30; A46B
2200/104; A46B 2200/106; A46B
2200/202; A46B 2200/205; A46B
2200/207; A46B 2200/304; A46B
2200/1006; A46B 2200/1046; A46B
2200/1053; A46B 2200/3006; A46B

DESCRIPTION

FIG. 1 is a top perspective view of the brush;
FIG. 2 is a bottom perspective view of the brush;
FIG. 3 is a top view of the brush;
FIG. 4 is a bottom view of the brush;
FIG. 5 is a back view of the brush;
FIG. 6 is a front view of the brush;
FIG. 7 is a side view of the brush, where the left and right
sides of the brush are mirror images;
FIG. 8 is a bottom perspective view of the brush with a
flashlight connected thereto; and,
FIG. 9 is a close-up side view of the brush head.

(Continued)



The flashlight and the strap attaching the flashlight to the brush are shown in broken lines, are environmental, and form no part of the claimed design.

1 Claim, 4 Drawing Sheets

(56)

References Cited

U.S. PATENT DOCUMENTS

2005/0246848 A1* 11/2005 Morgan A47K 11/10
15/210.1

* cited by examiner

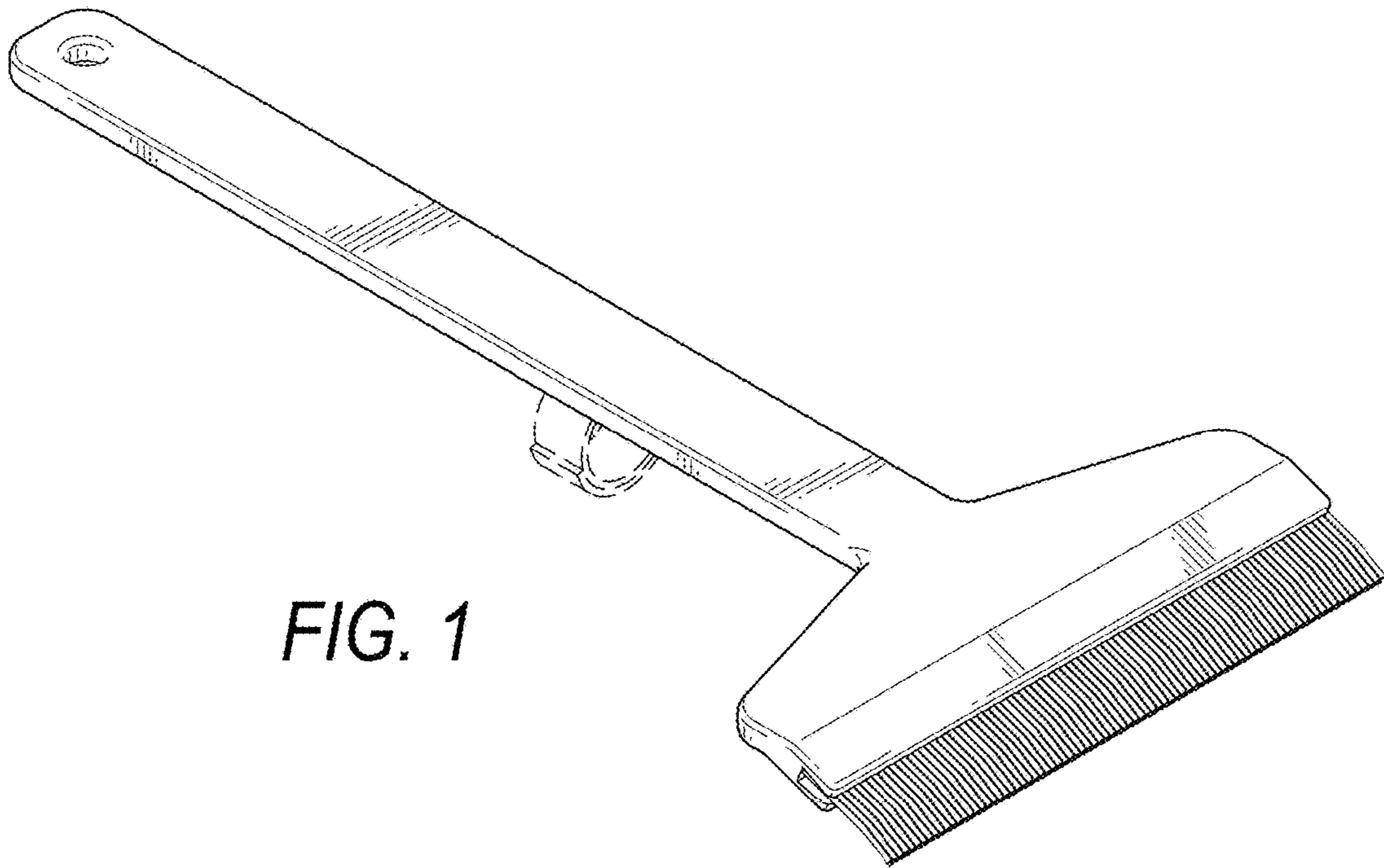


FIG. 1

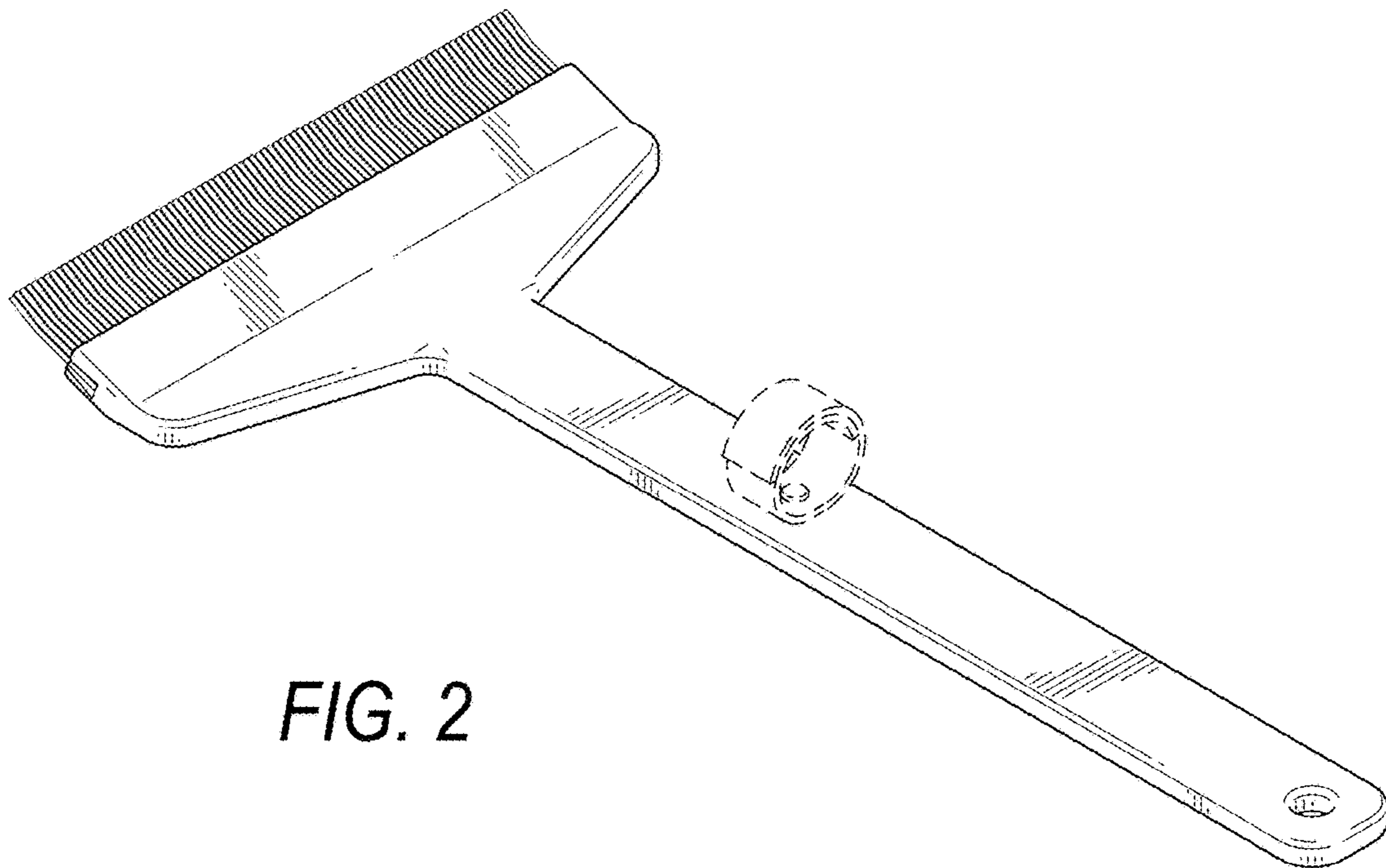


FIG. 2

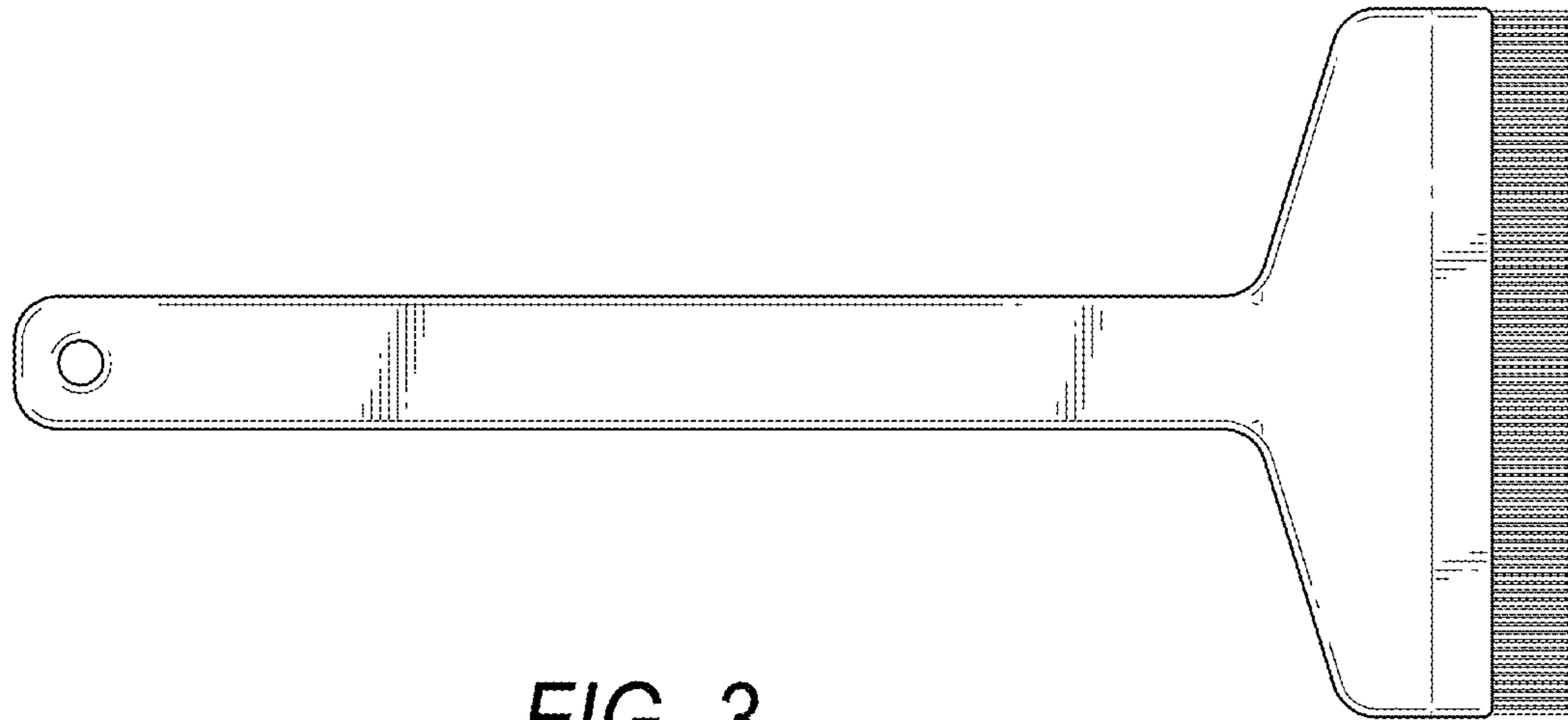


FIG. 3

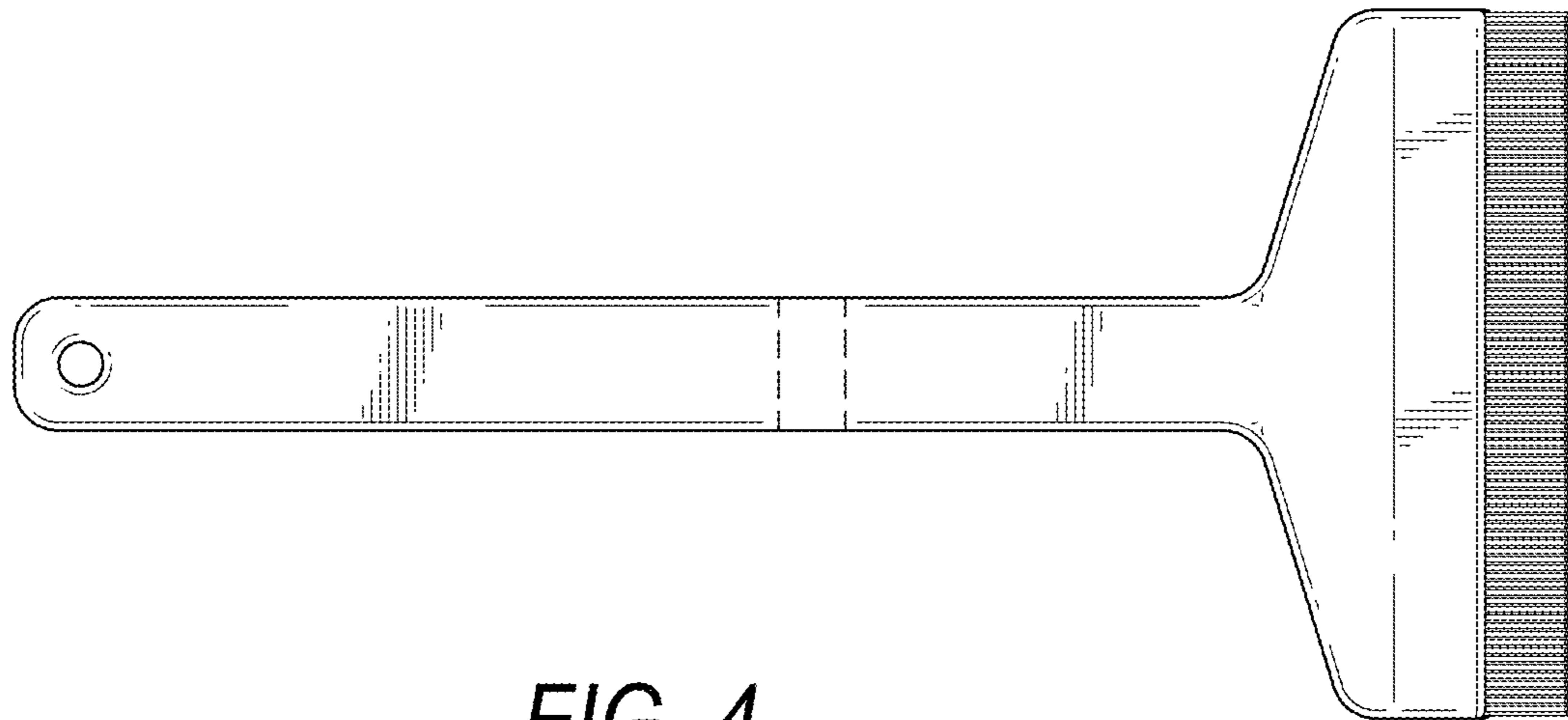


FIG. 4

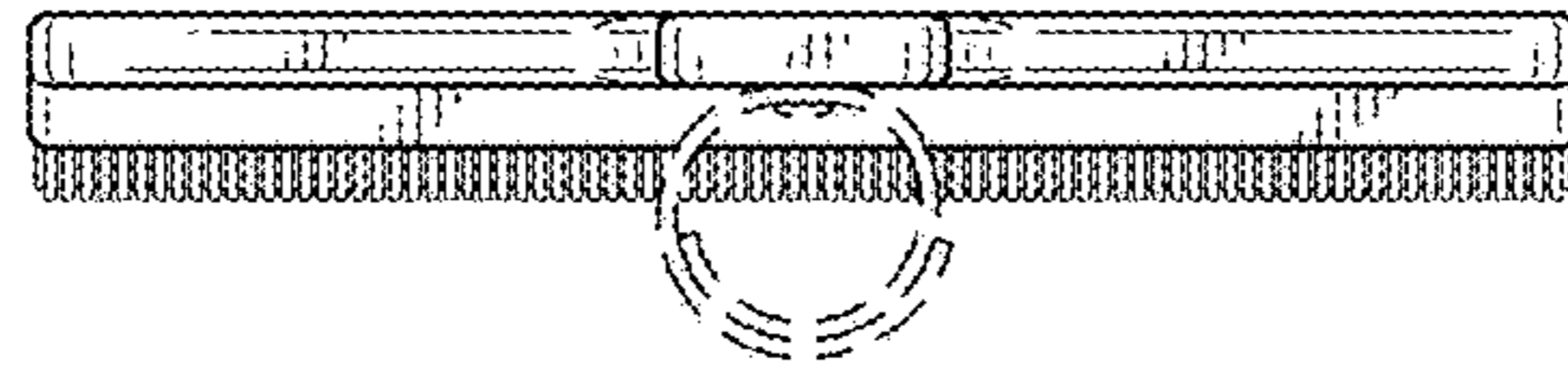


FIG. 5

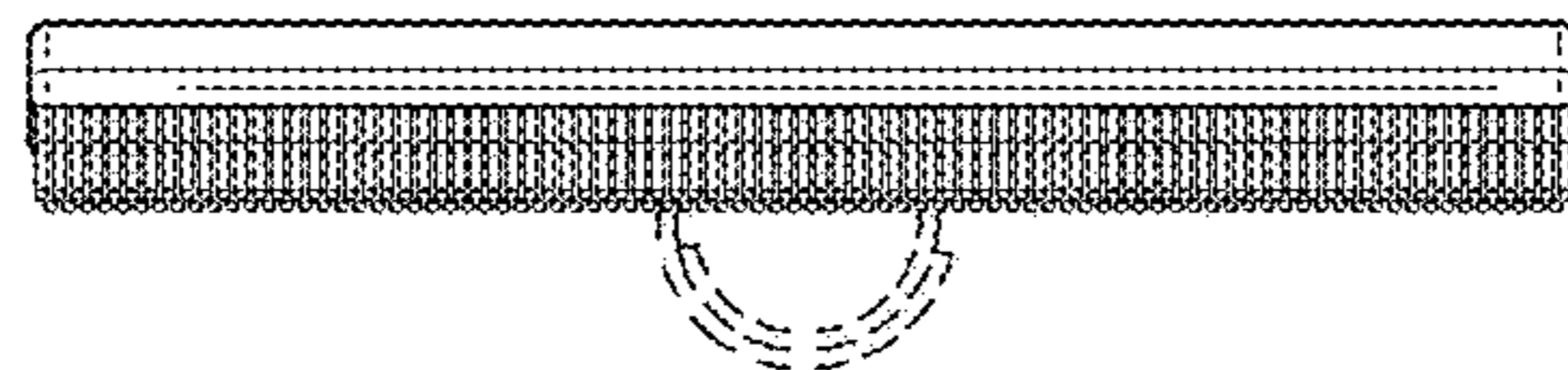


FIG. 6

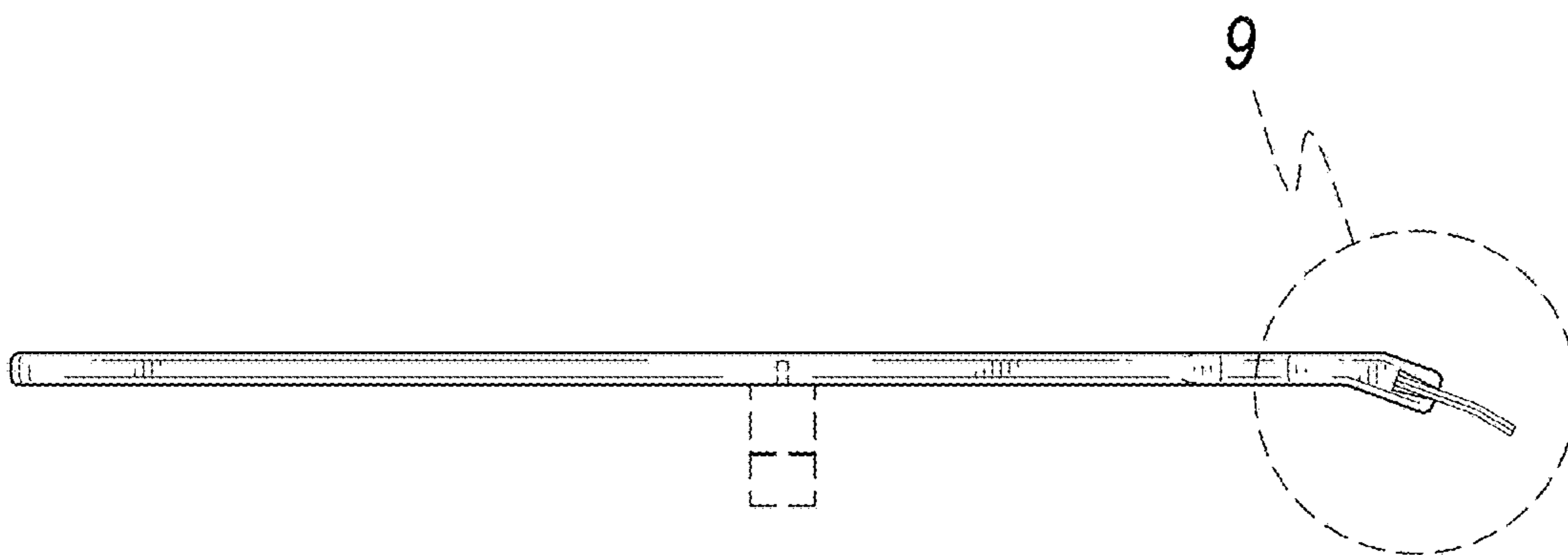


FIG. 7

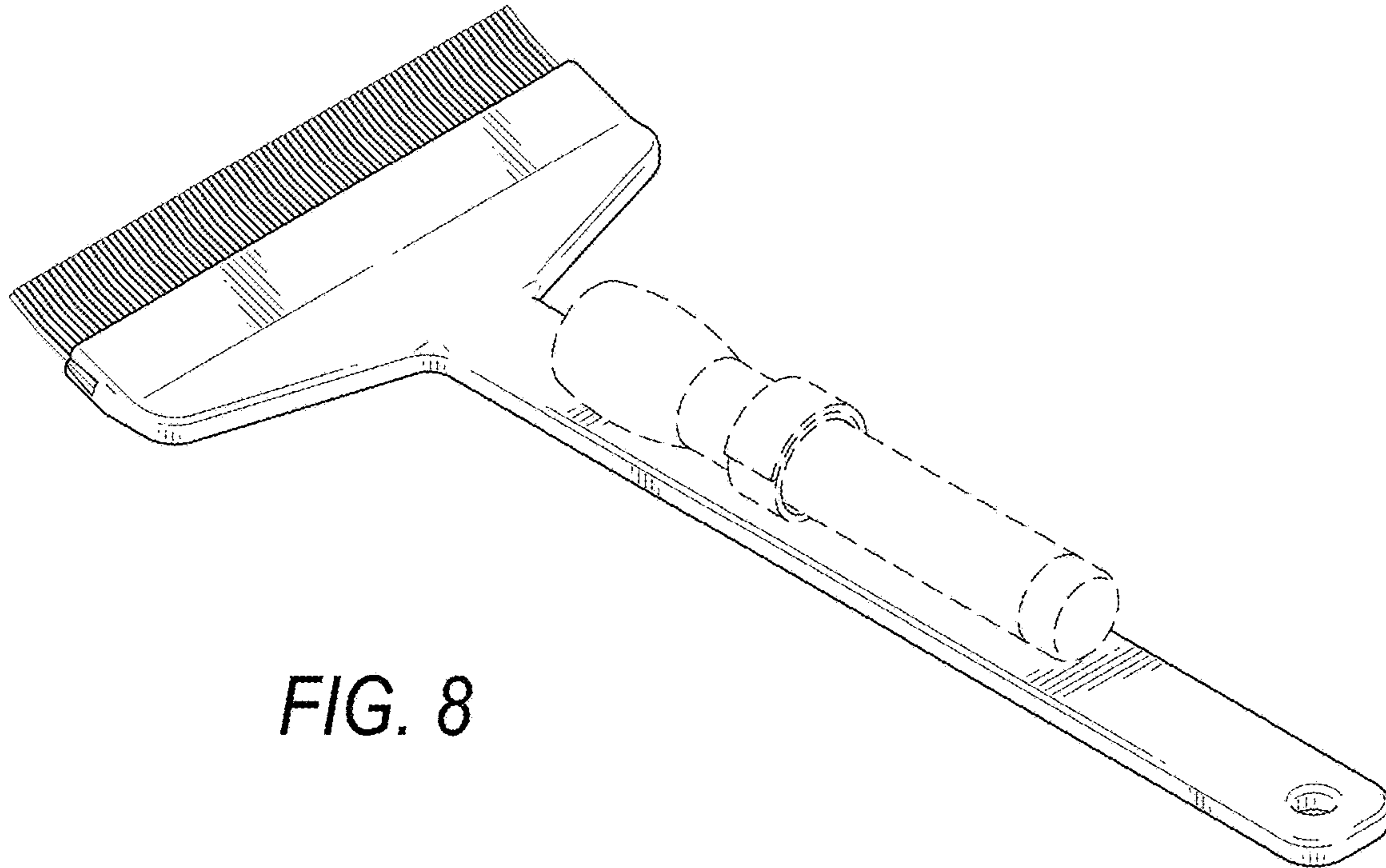


FIG. 8

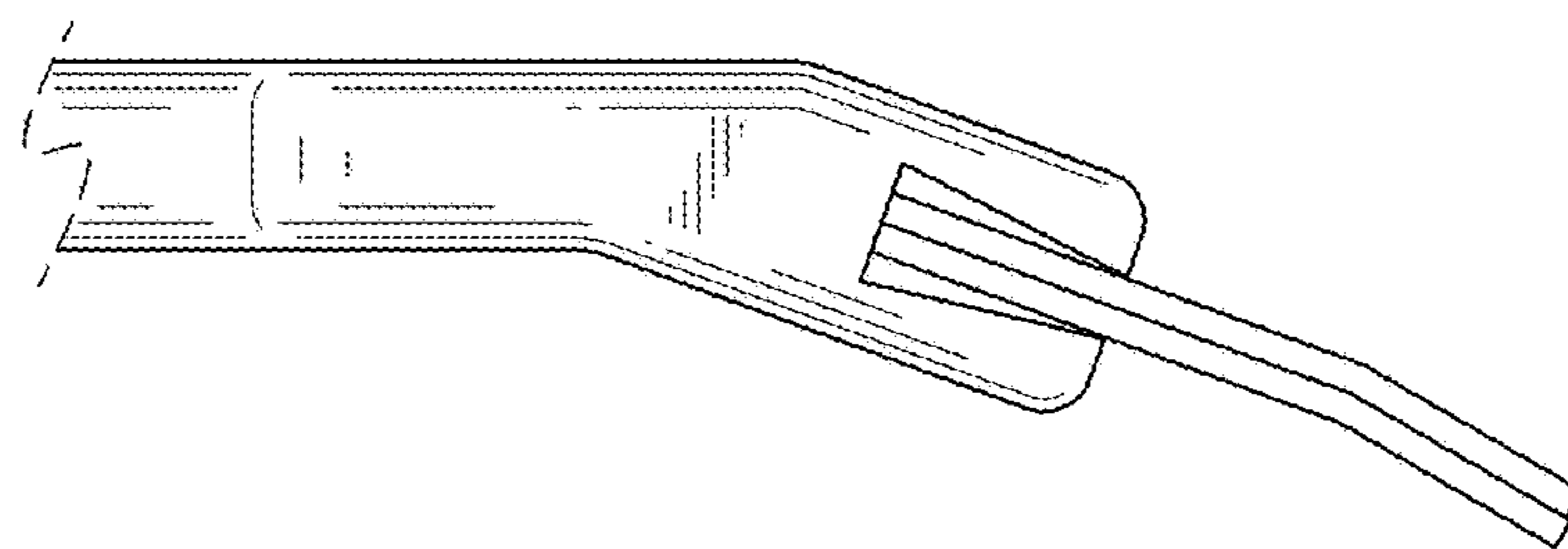


FIG. 9