



US00D804824S

(12) **United States Design Patent**  
**Lopez Montoya**

(10) **Patent No.:** **US D804,824 S**

(45) **Date of Patent:** **\*\* Dec. 12, 2017**

(54) **BAG CLASP**

D698,550 S \* 2/2014 Louboutin ..... D3/318  
D781,586 S \* 3/2017 Reinhart ..... D3/318

(71) Applicant: **Bulgari S.p.A.**, Rome (IT)

\* cited by examiner

(72) Inventor: **Mireia Lopez Montoya**, Florence (IT)

*Primary Examiner* — Holly H Baynham

(73) Assignee: **BULGARI S.P.A.**, Rome (IT)

(74) *Attorney, Agent, or Firm* — Stephen Kenny; Peter Sullivan; Foley Hoag LLP

(\*\*) Term: **15 Years**

(21) Appl. No.: **29/567,822**

(22) Filed: **Jun. 13, 2016**

(30) **Foreign Application Priority Data**

Dec. 22, 2015 (WO) ..... DM089097

(51) **LOC (10) Cl.** ..... **03-01**

(52) **U.S. Cl.**  
USPC ..... **D3/318**

(58) **Field of Classification Search**  
USPC ..... D3/318; D11/233, 216  
CPC ..... A45C 11/18; A45C 11/182  
See application file for complete search history.

(56) **References Cited**

**U.S. PATENT DOCUMENTS**

2,429,661 A \* 10/1947 Amsterdam ..... A45C 1/024  
150/112  
D688,871 S \* 9/2013 Lai ..... D3/318

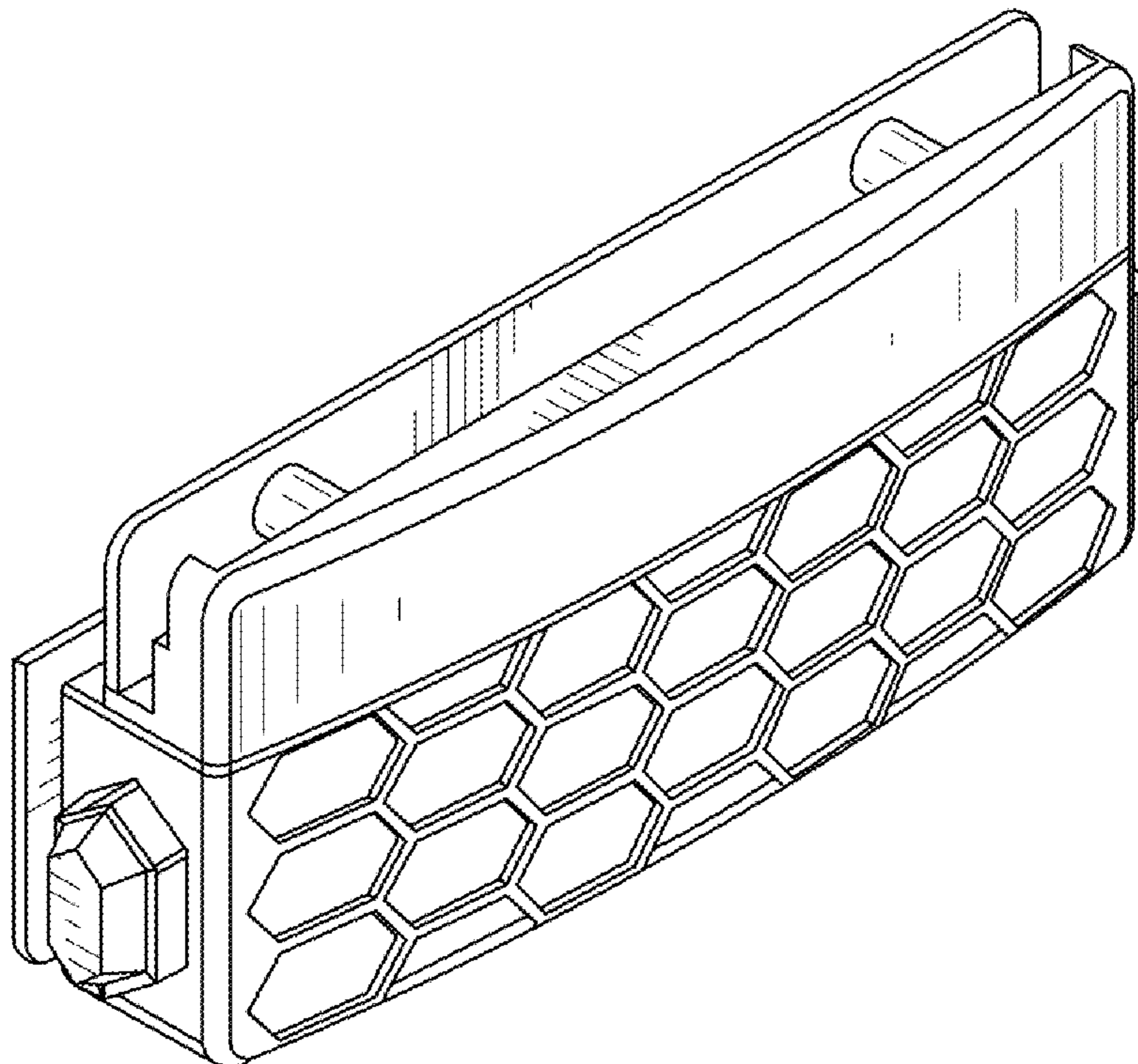
(57) **CLAIM**

The ornamental design for a bag clasp, as shown and described.

**DESCRIPTION**

FIG. 1 is a perspective view of the clasp showing my new design.  
FIG. 2 is a front view thereof.  
FIG. 3 is a back view thereof.  
FIG. 4 is a top view thereof.  
FIG. 5 is a bottom view thereof.  
FIG. 6 is a right side view thereof.  
FIG. 7 is a left side view thereof; and,  
FIG. 8 is an exploded view thereof.

**1 Claim, 8 Drawing Sheets**



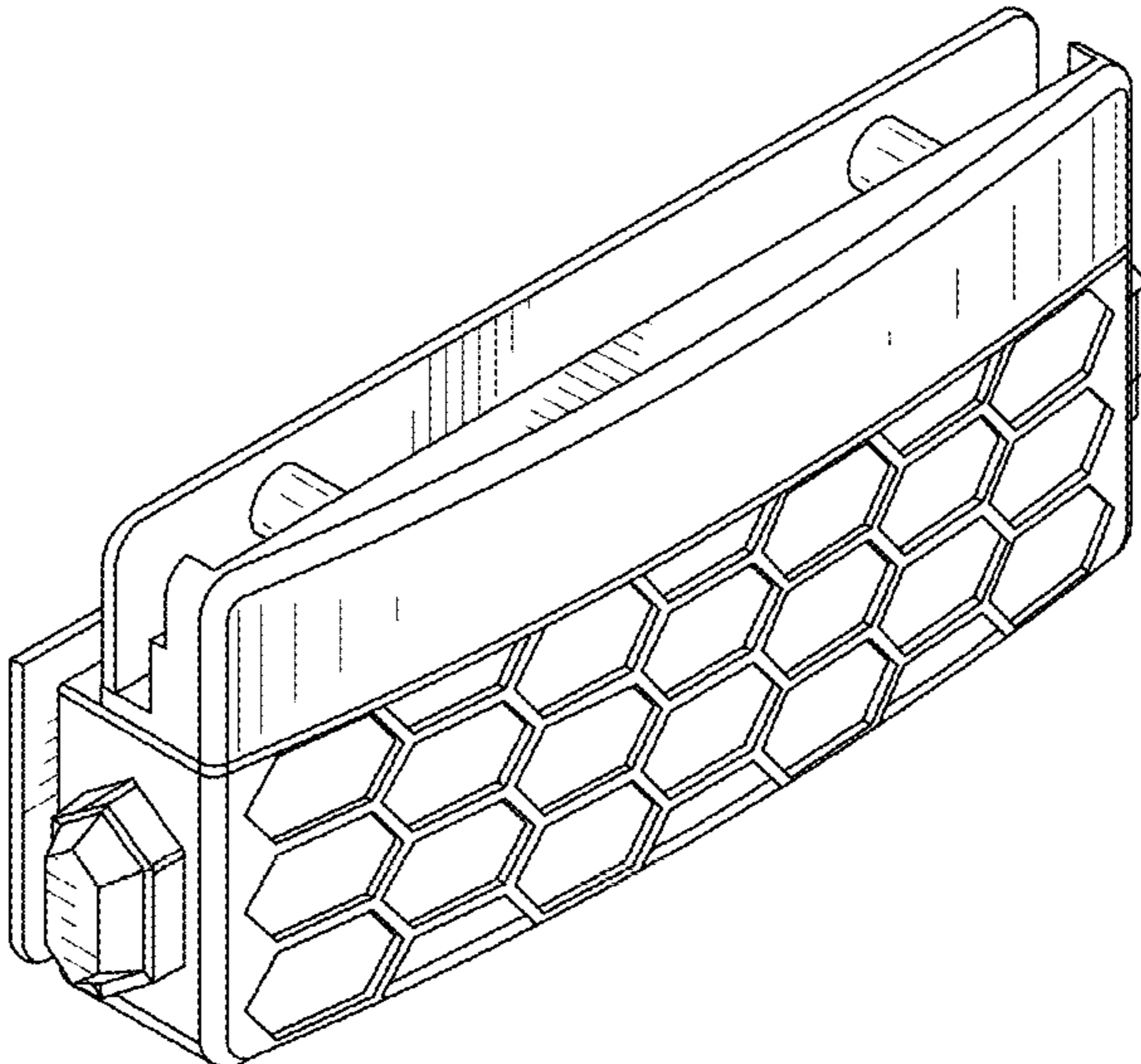


FIG. 1

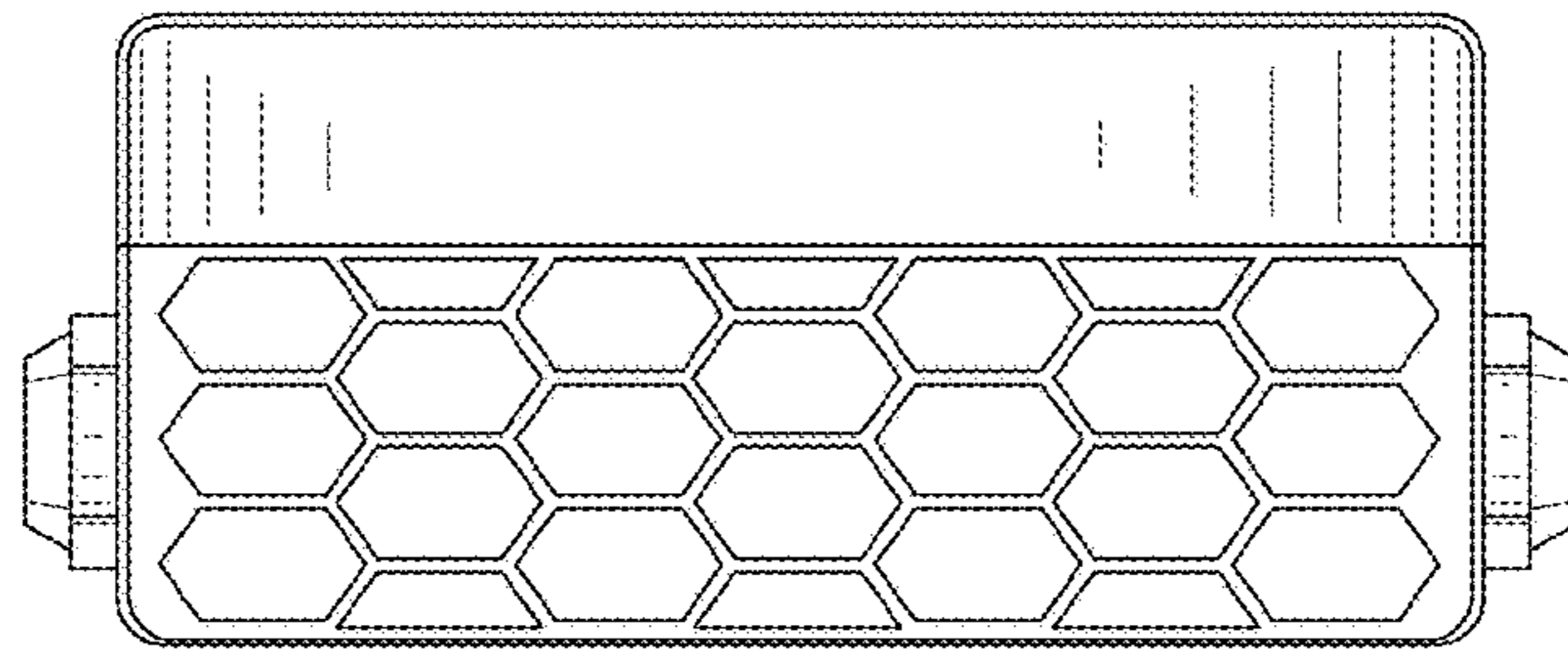


FIG. 2

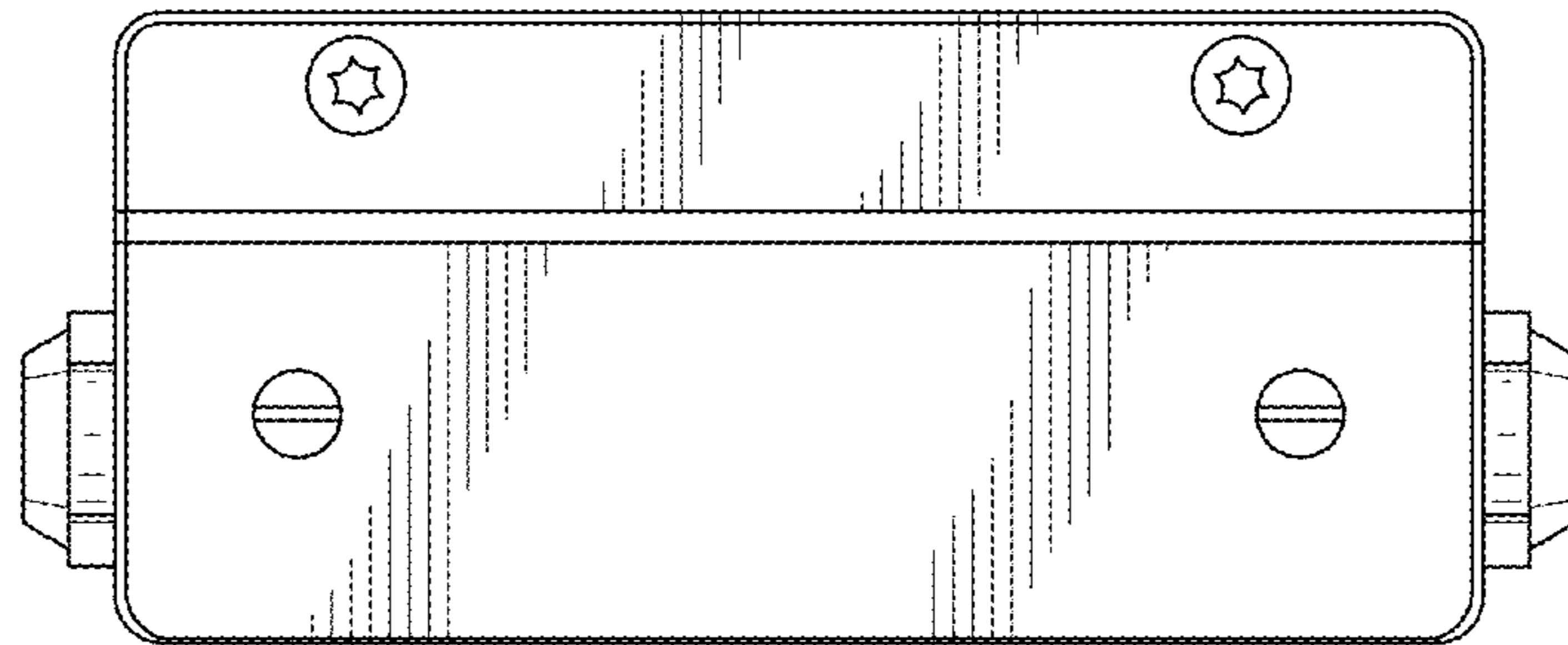


FIG. 3

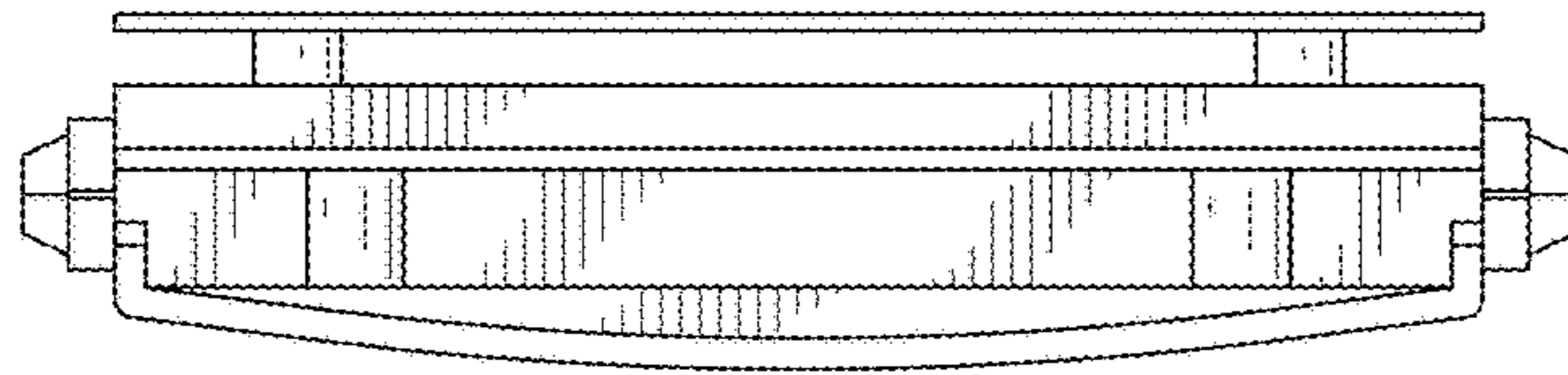


FIG.4

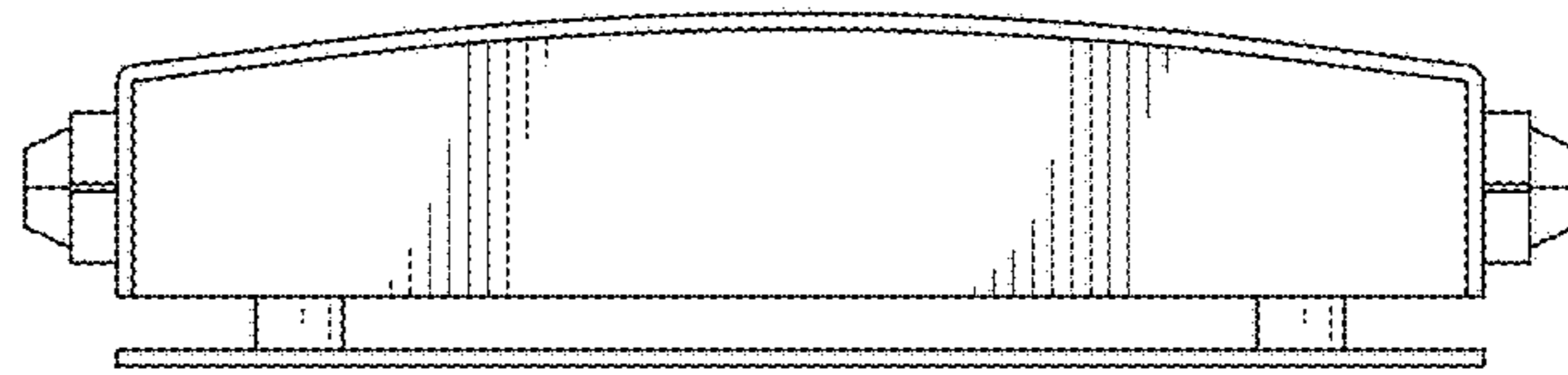


FIG.5

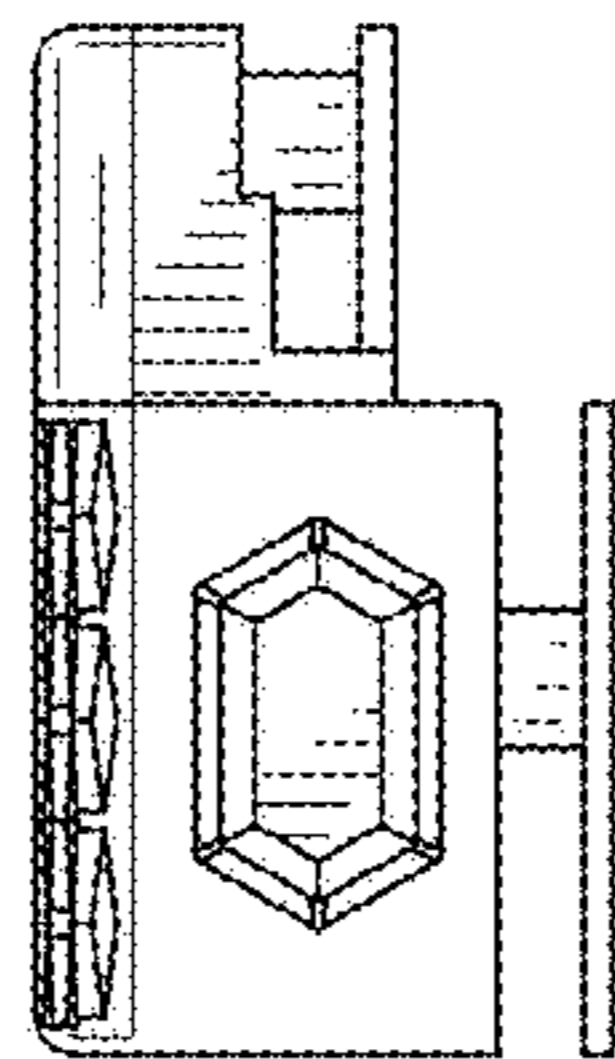


FIG. 6

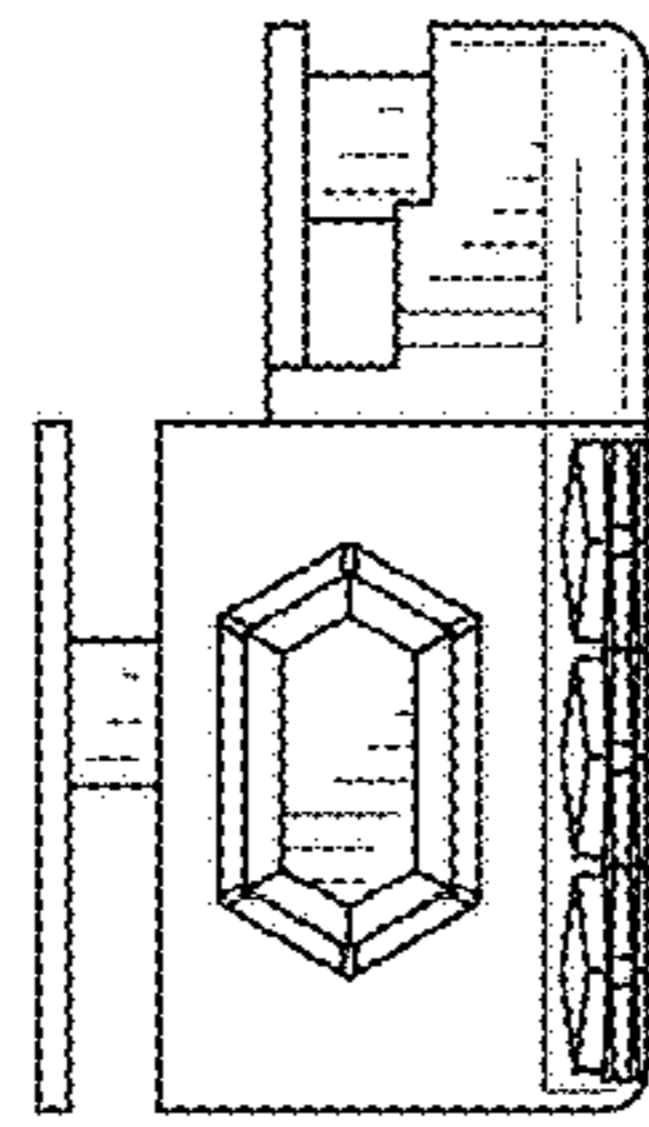


FIG. 7



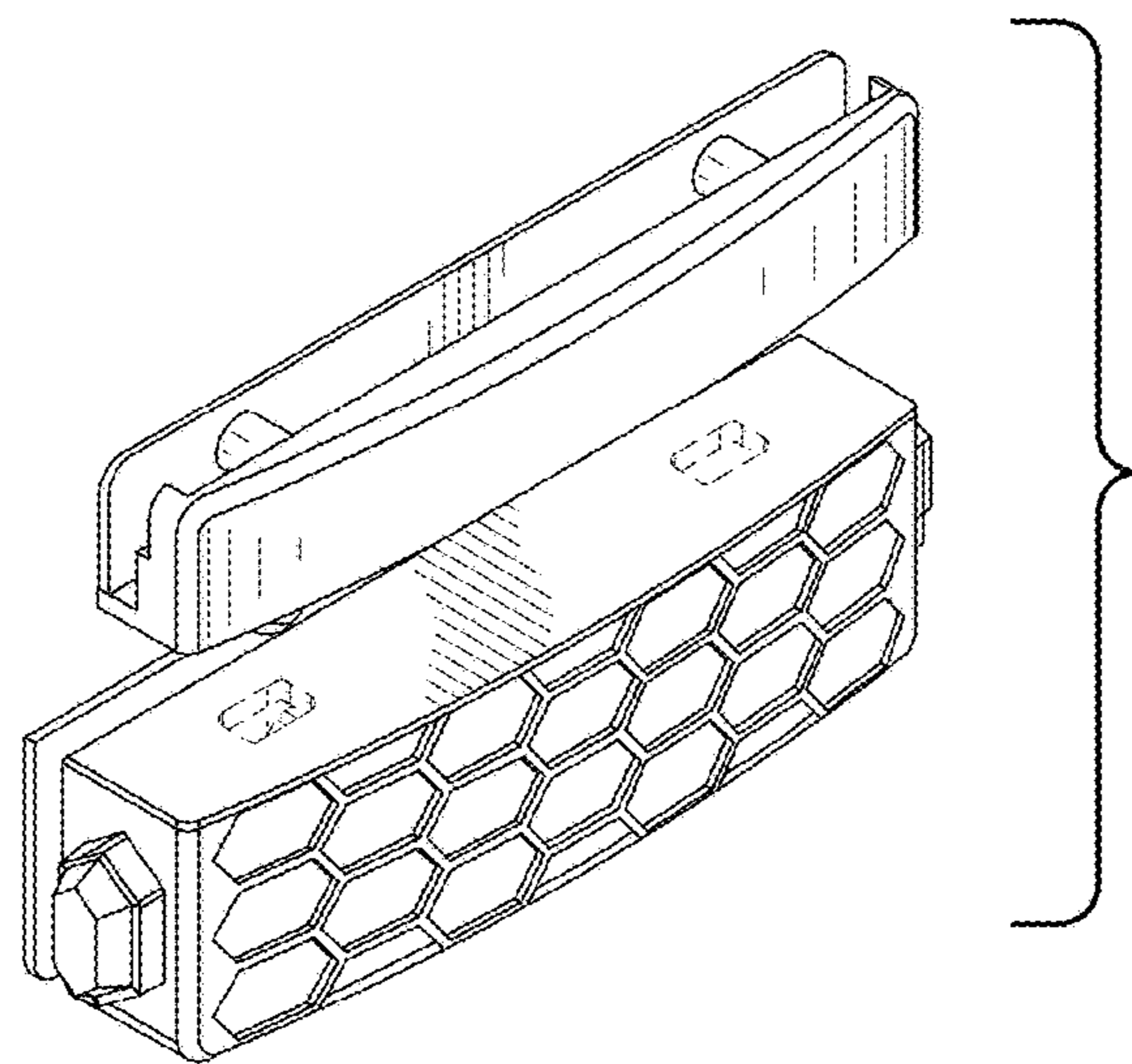


FIG.8