



US00D804823S

(12) **United States Design Patent** (10) **Patent No.:** **US D804,823 S**
Jacob et al. (45) **Date of Patent:** **** Dec. 12, 2017**

(54) **HANDLE FOR A SUITCASE**

- (71) Applicant: **Matte-Veede, FZE**, Fujairah (AE)
- (72) Inventors: **Jonathan Jacob**, Dubai (AE); **Arman Emami**, Berlin (DE)
- (73) Assignee: **Matte-Veede, FZE**, Fujairah (AE)
- (**) Term: **15 Years**
- (21) Appl. No.: **29/550,277**

- (22) Filed: **Dec. 31, 2015**
- (51) **LOC (10) Cl.** **03-01**
- (52) **U.S. Cl.**
USPC **D3/318**

- (58) **Field of Classification Search**
USPC D3/201, 204, 216, 272-275, 279, 280, D3/282, 283, 284, 288, 289, 294, 309, D3/315, 318, 321, 322, 323, 902; D5/1, D5/2, 4, 47, 54, 58, 59, 62; D9/430-433; D10/49, 50, 60, 103, 125, 132; D12/406, D12/409, 410, 412, 413; D14/341, 443, D14/448, 451; D24/185; D25/48.8, 141, D25/152, 153; D34/25
CPC A45C 5/00; A45C 5/03; A45C 2005/032; A45C 2005/035; A45C 2005/037
See application file for complete search history.

(56) **References Cited**

U.S. PATENT DOCUMENTS

D52,489 S *	9/1918	Palmer	D8/303
D94,232 S *	1/1935	Miller	D25/153
3,438,312 A *	4/1969	Becker	E01C 13/045
				404/19
D215,582 S *	10/1969	Bogan, Jr.	428/134
D327,577 S *	7/1992	Nijhoff	D5/44
D411,685 S *	6/1999	Thomas	D5/1
D457,328 S *	5/2002	McBride	D5/1
D461,390 S *	8/2002	Livingston	D8/303
D498,054 S *	11/2004	Moon	D3/318

(Continued)

OTHER PUBLICATIONS

Cellscreen by Korban/Flaubert, posted at Retaildesignblog.net, posting date Jan. 14, 2012, [online], [site visited Dec. 12, 2016]. Available from Internet, <URL: <http://retaildesignblog.net/2012/01/14/cellscreenbykorbanflaubert/>>.*

(Continued)

Primary Examiner — Susan E Krakower
Assistant Examiner — Lisa A Grabenstetter

(74) *Attorney, Agent, or Firm* — Banner & Witcoff, Ltd.

(57) **CLAIM**

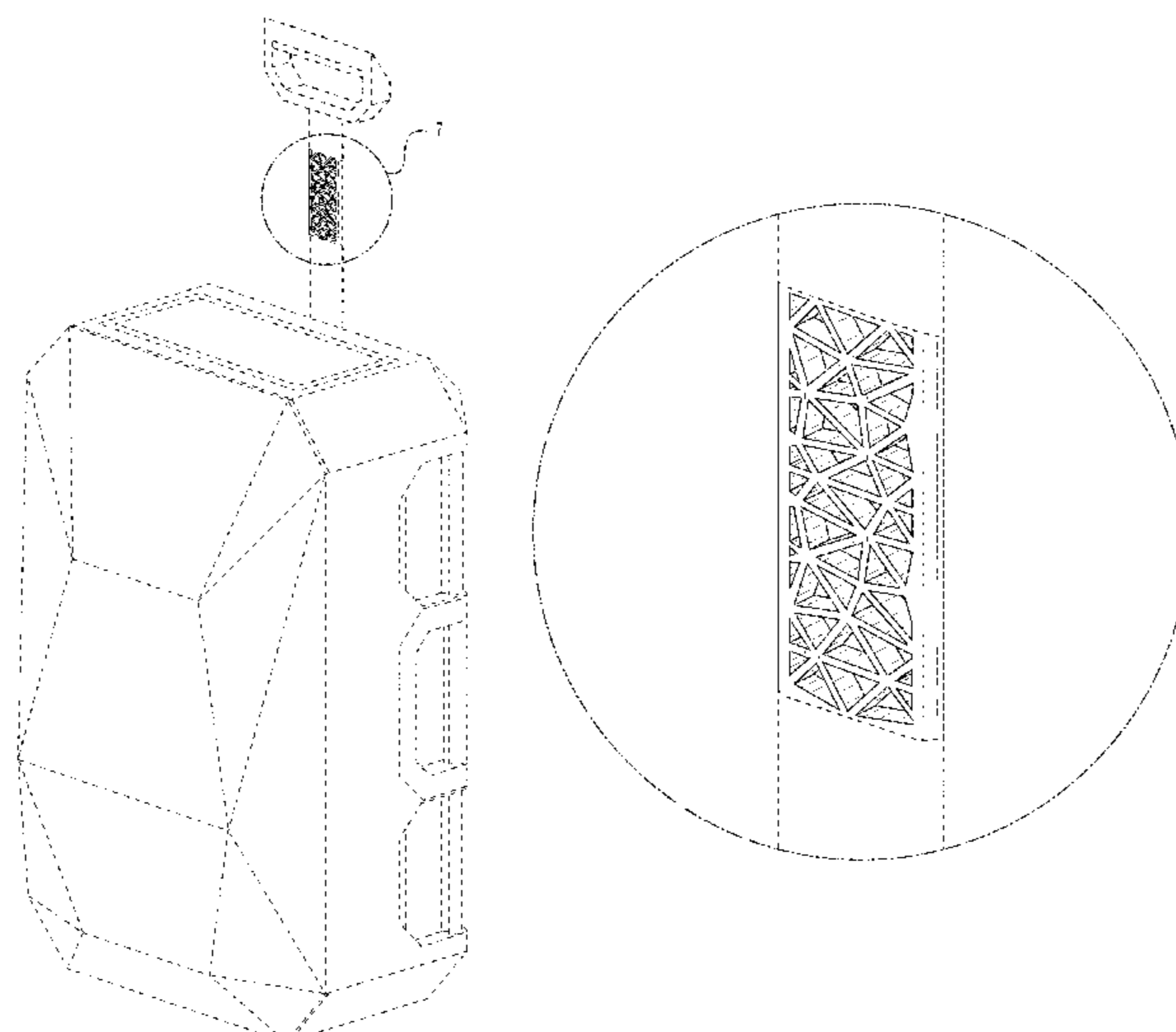
The ornamental design for a handle for a suitcase, as shown and described.

DESCRIPTION

FIG. 1 is a perspective view of a handle for a suitcase showing our new design;
 FIG. 2 is a perspective rear view thereof;
 FIG. 3 is a front view thereof;
 FIG. 4 is a rear view thereof;
 FIG. 5 is a right side view thereof;
 FIG. 6 is a left side view thereof;
 FIG. 7 is an enlarged view of the shaded region shown in FIG. 1 thereof;
 FIG. 8 is an enlarged view of the shaded region shown in FIG. 2 thereof;
 FIG. 9 is an enlarged view of the shaded region shown in FIG. 3 thereof;
 FIG. 10 is an enlarged view of the shaded region shown in FIG. 4 thereof;
 FIG. 11 is an enlarged view of the shaded region shown in FIG. 5 thereof; and,
 FIG. 12 is an enlarged view of the shaded region shown in FIG. 6 thereof.

The broken lines show portions of the suitcase and suitcase handle which form no part of the claimed design.

1 Claim, 12 Drawing Sheets



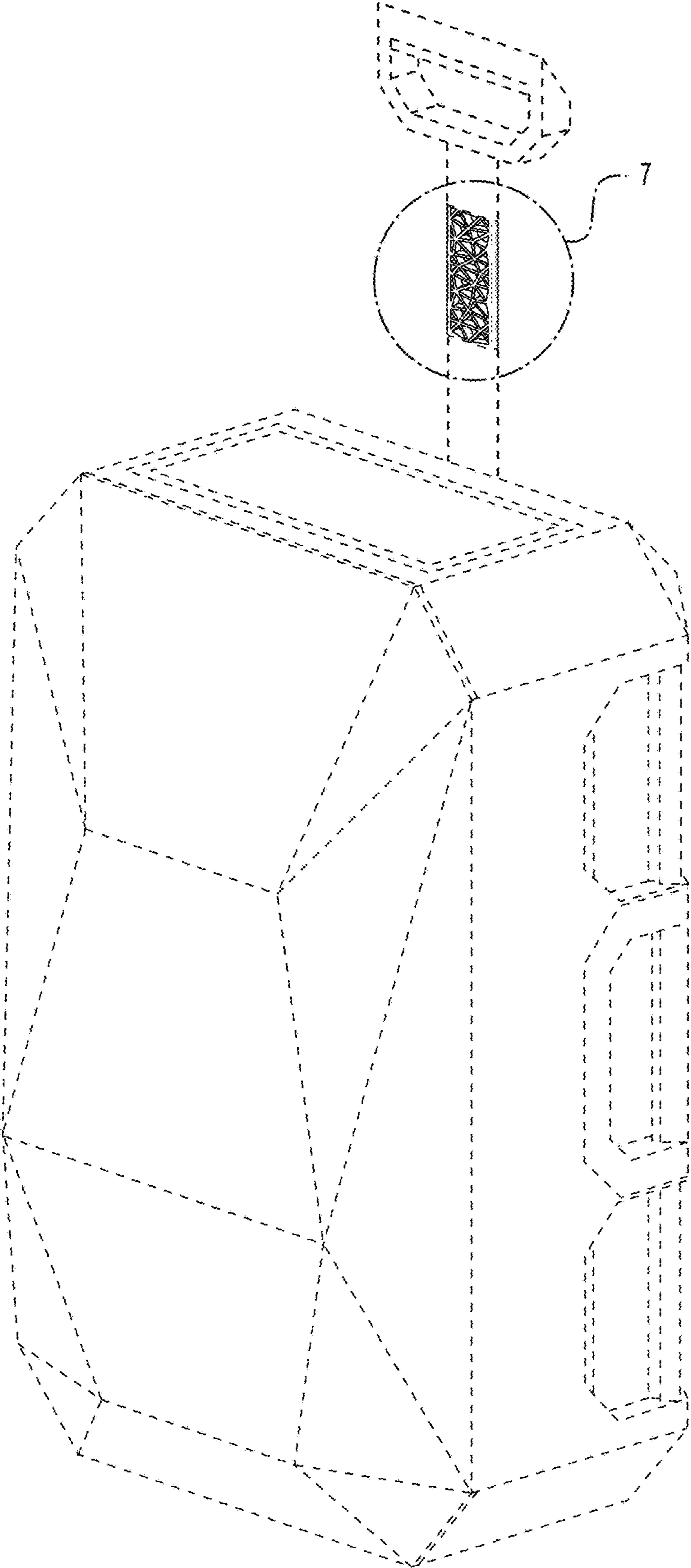


FIG. 1

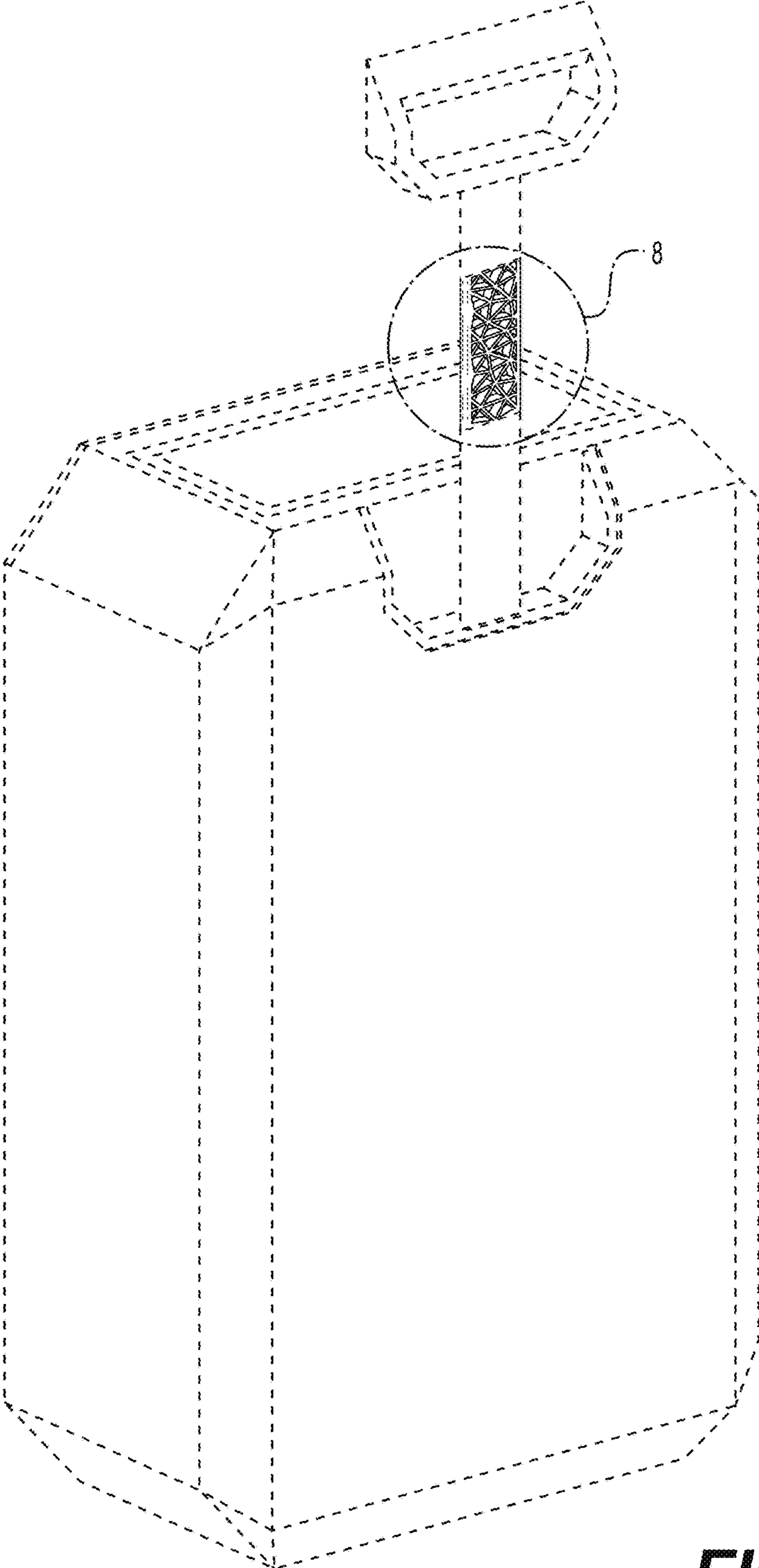


FIG. 2

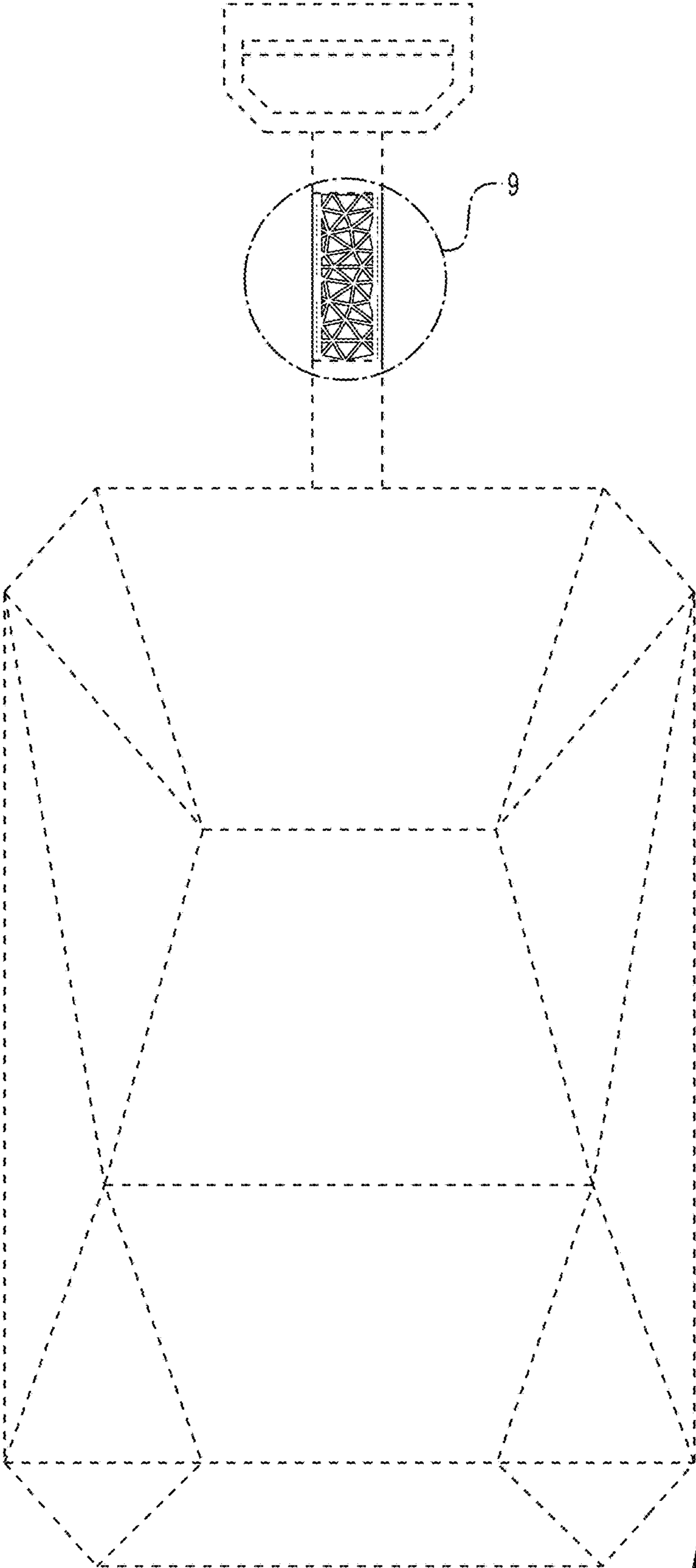


FIG. 3

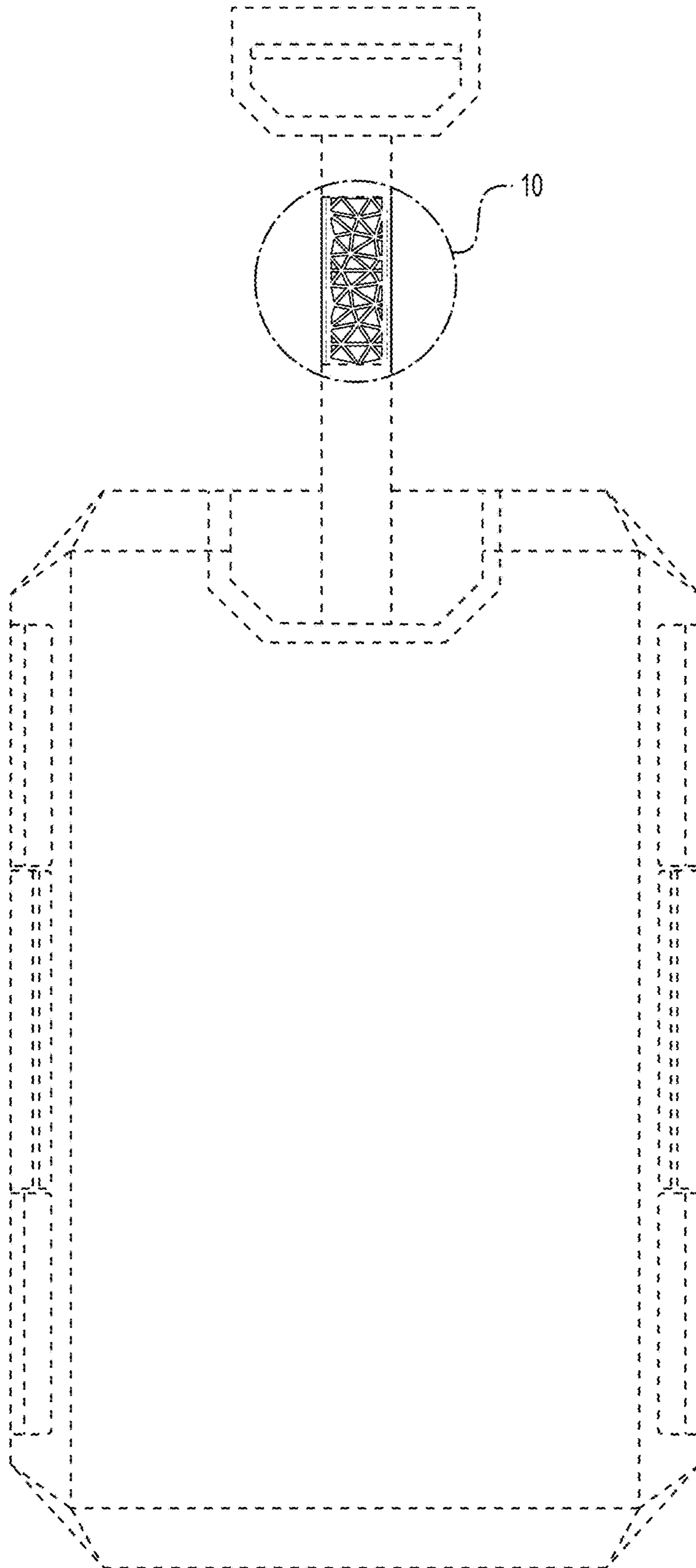


FIG. 4

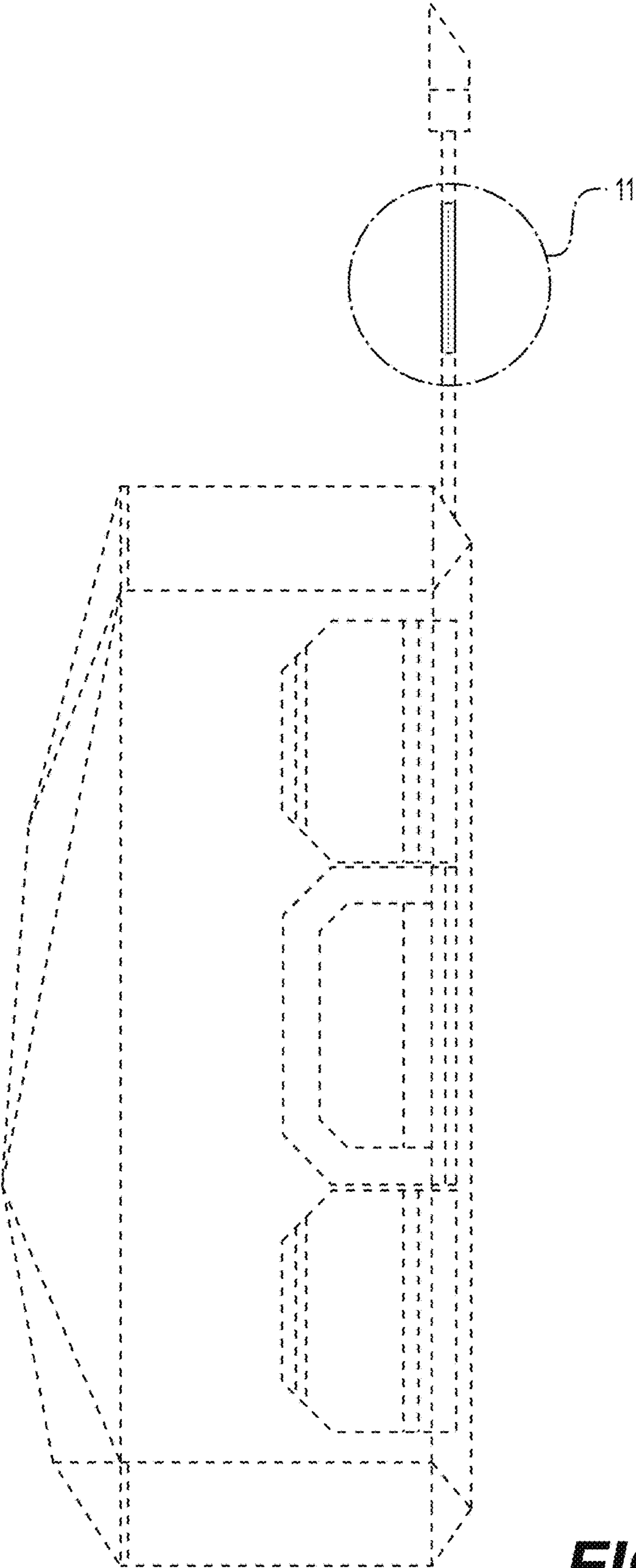


FIG. 5

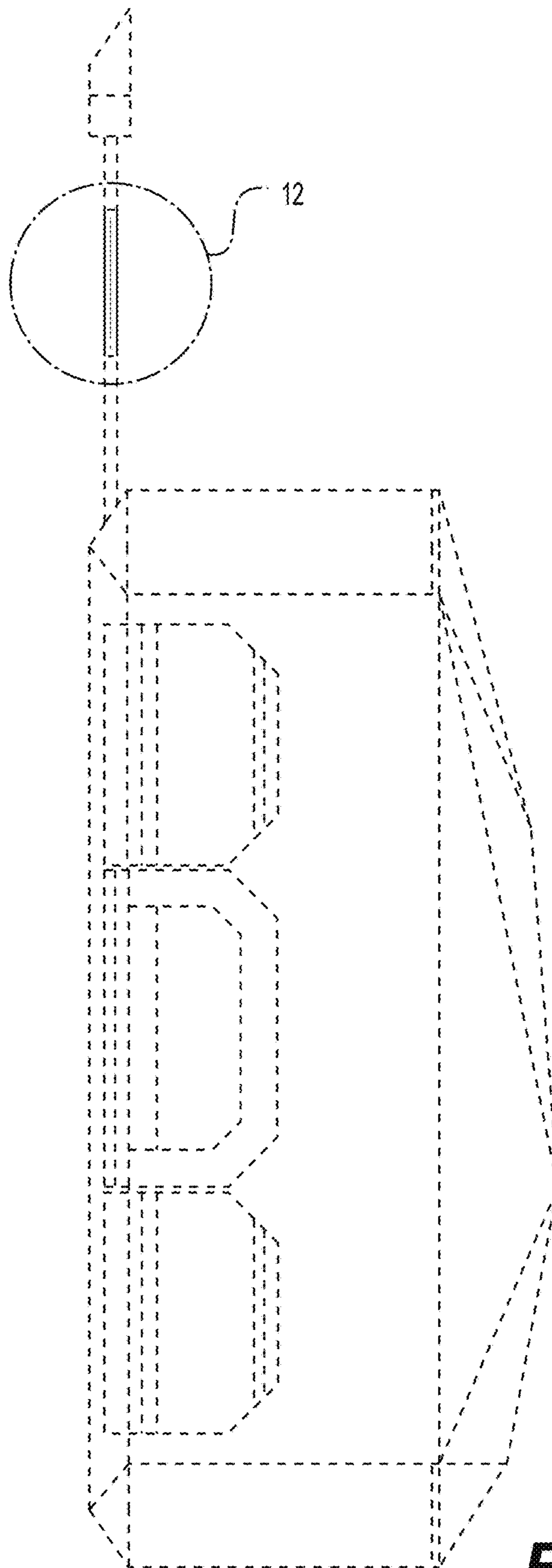


FIG. 6

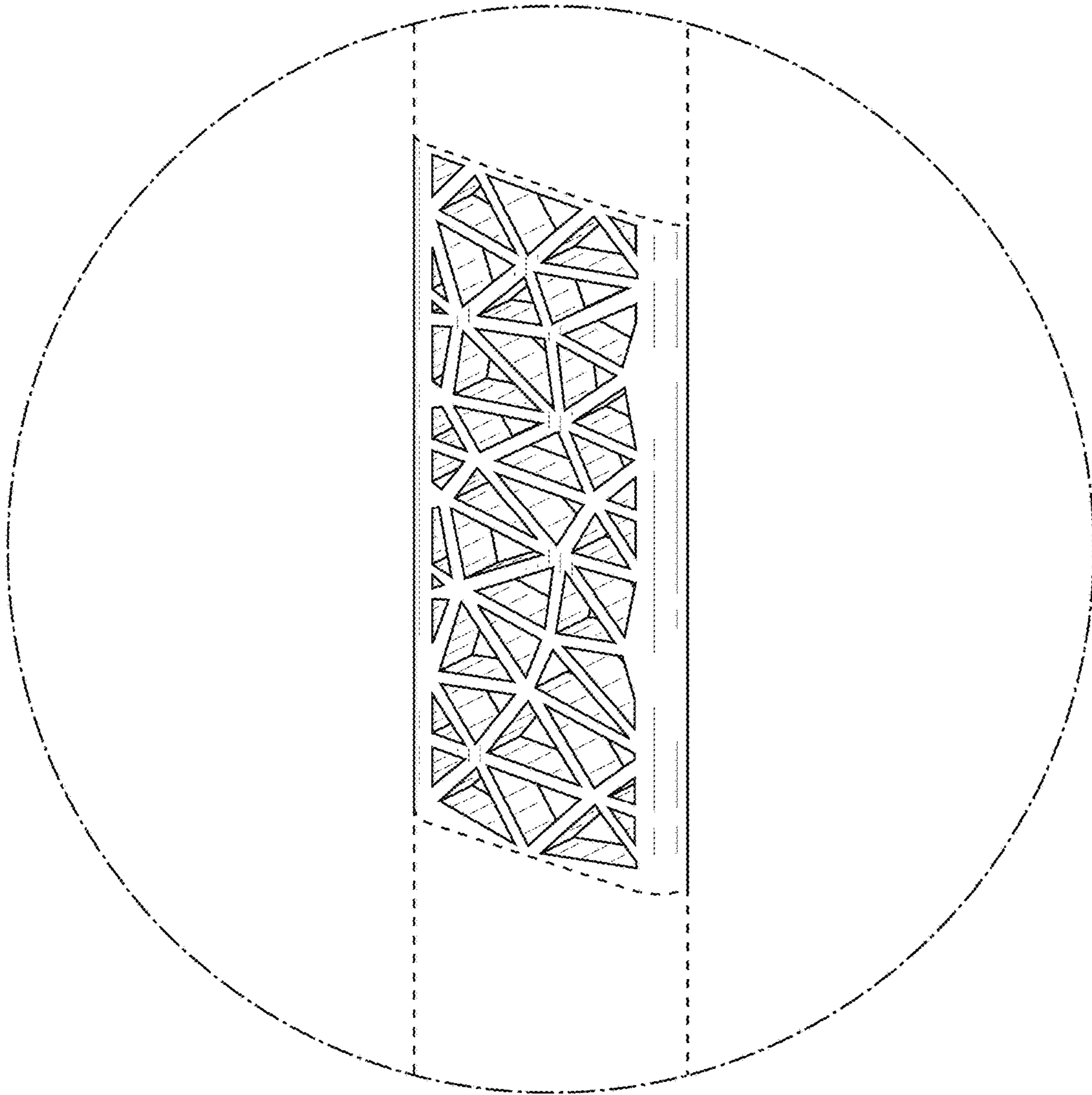


FIG. 7

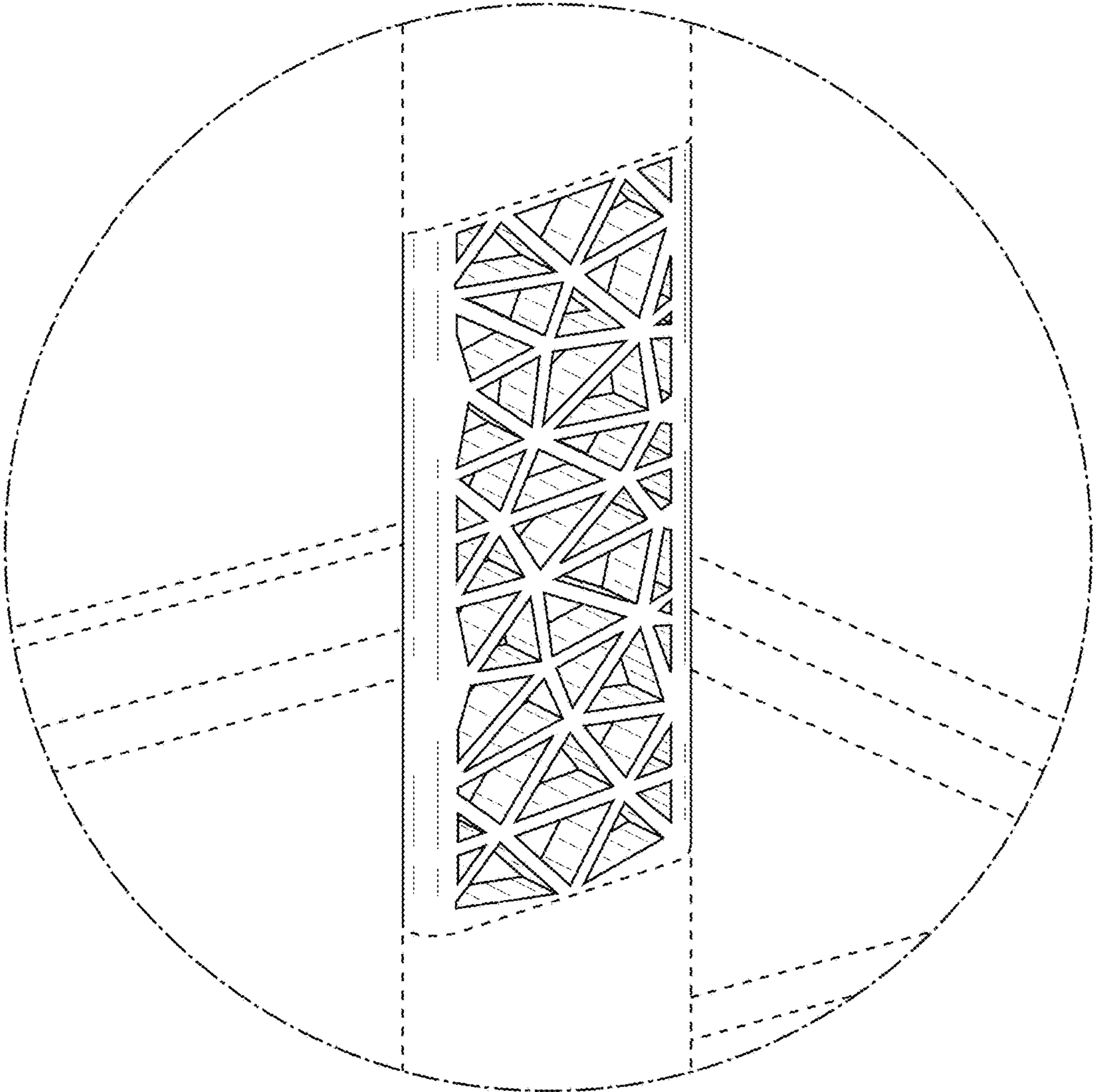


FIG. 8

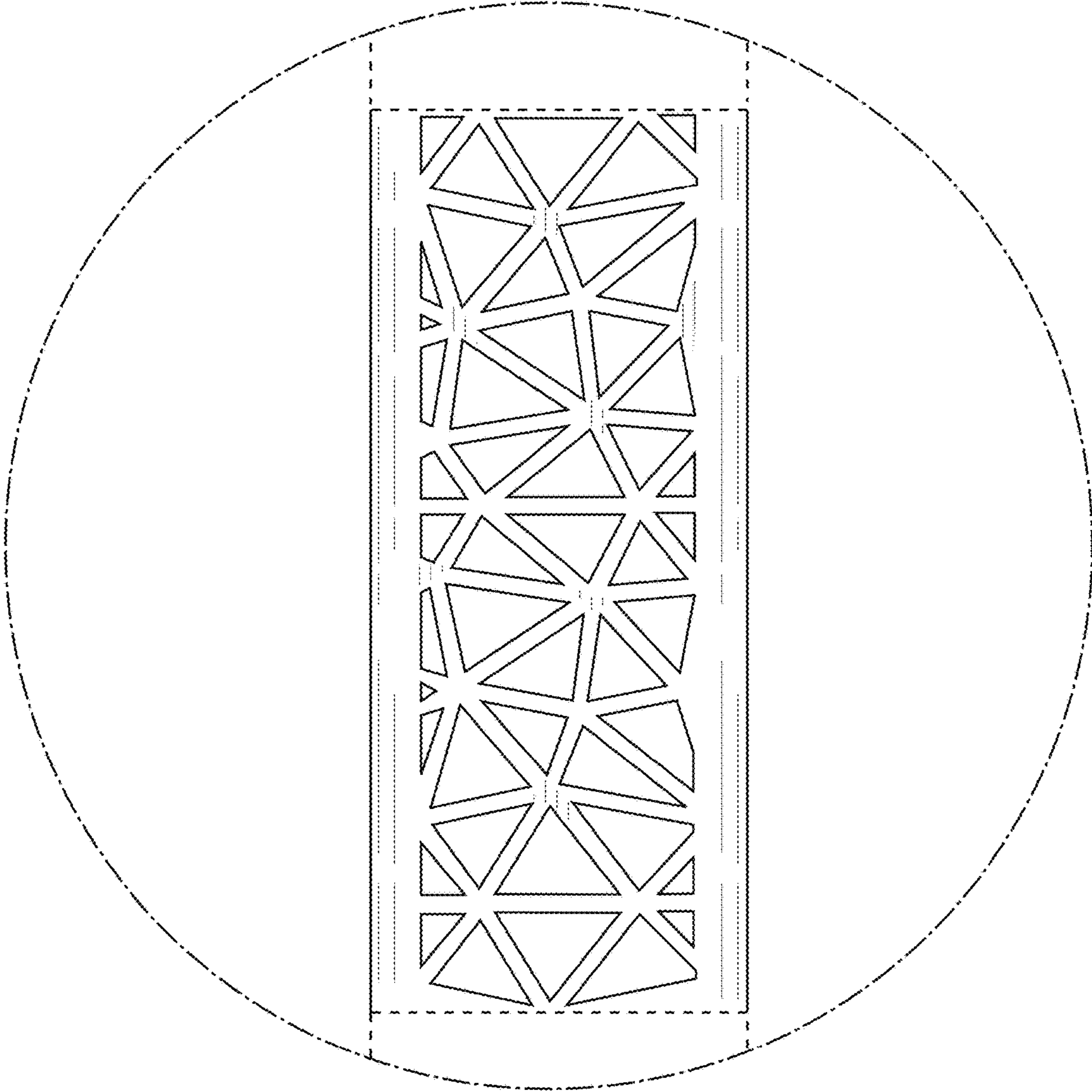


FIG. 9

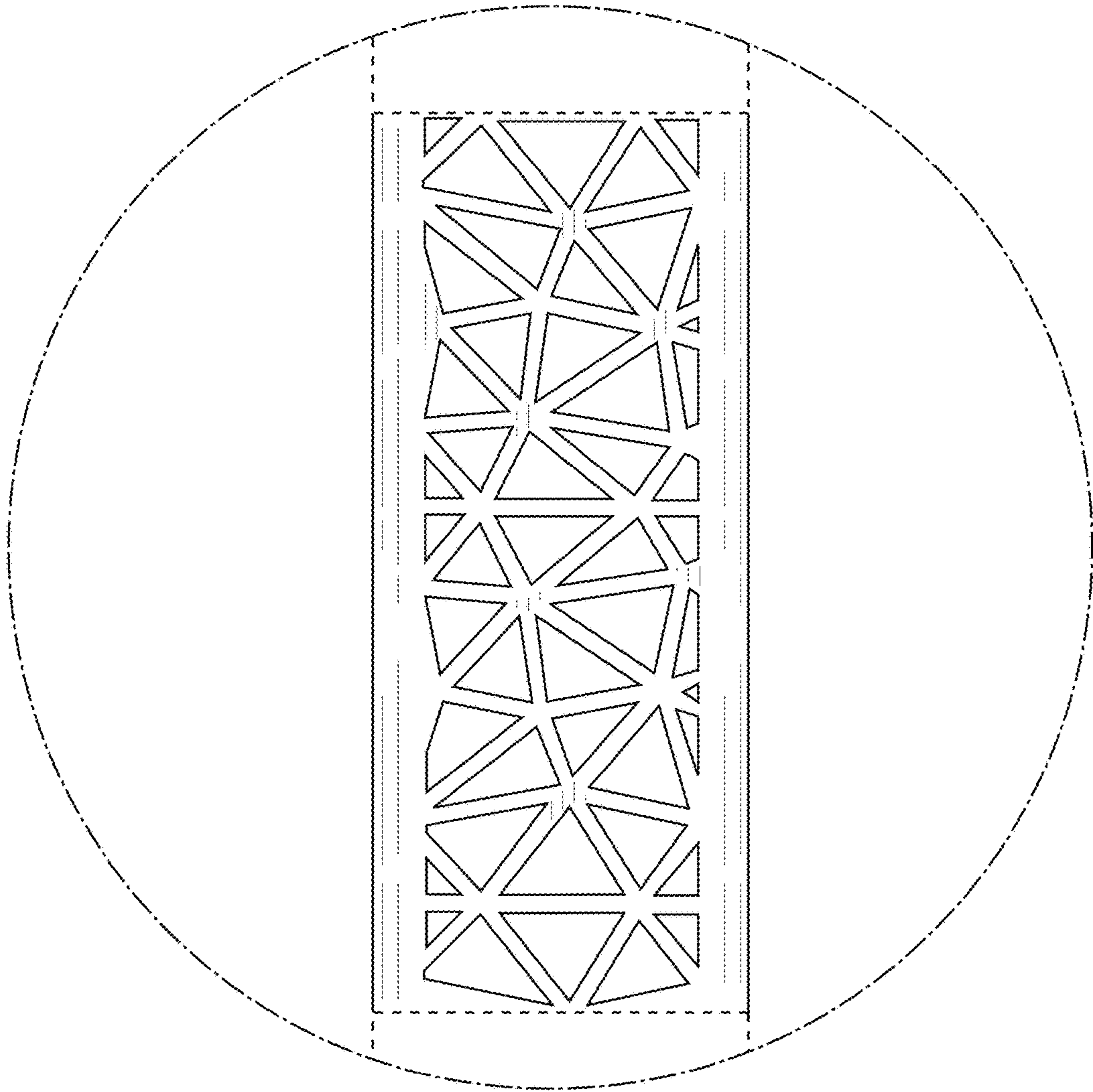


FIG. 10

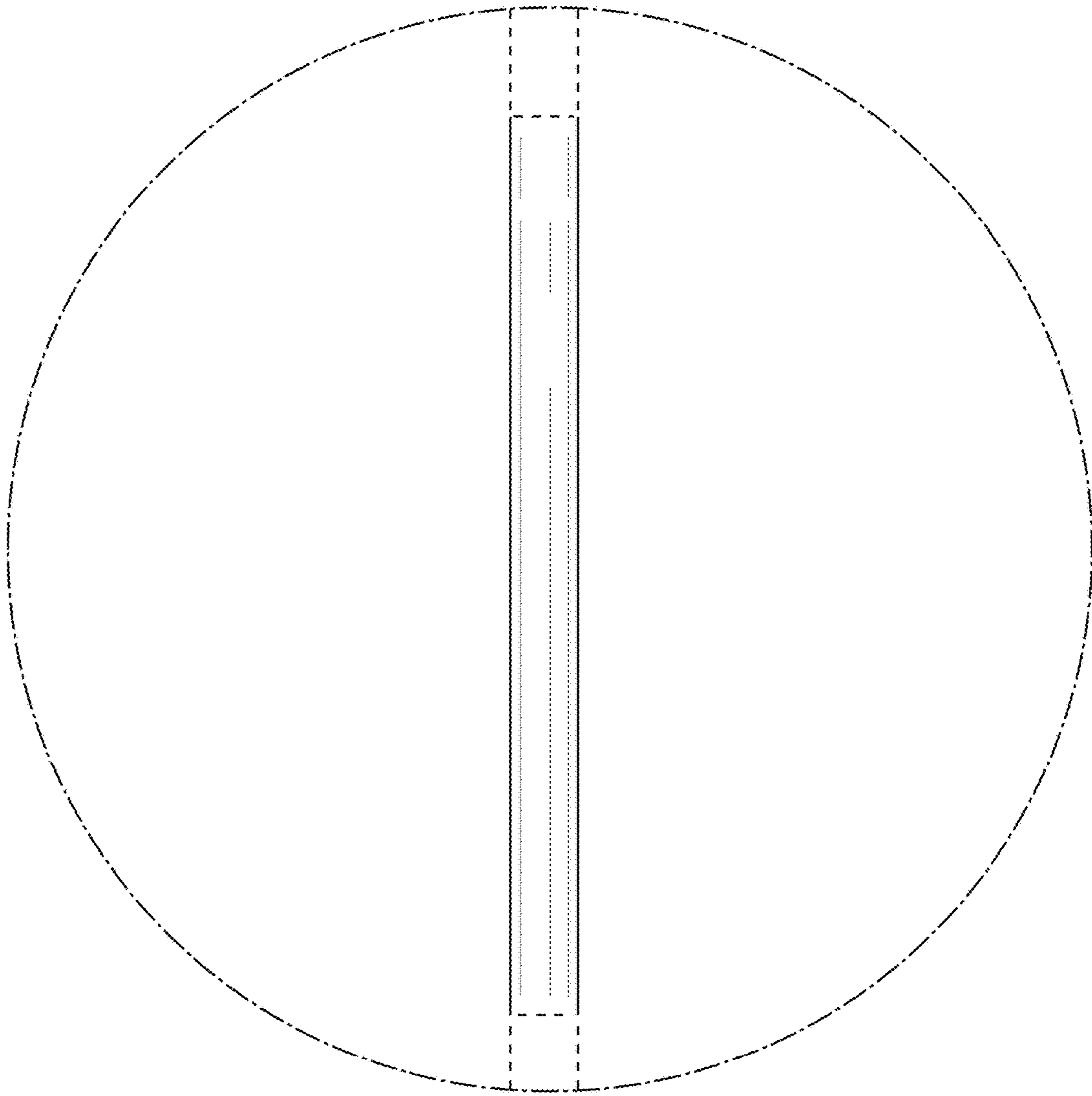


FIG. 11

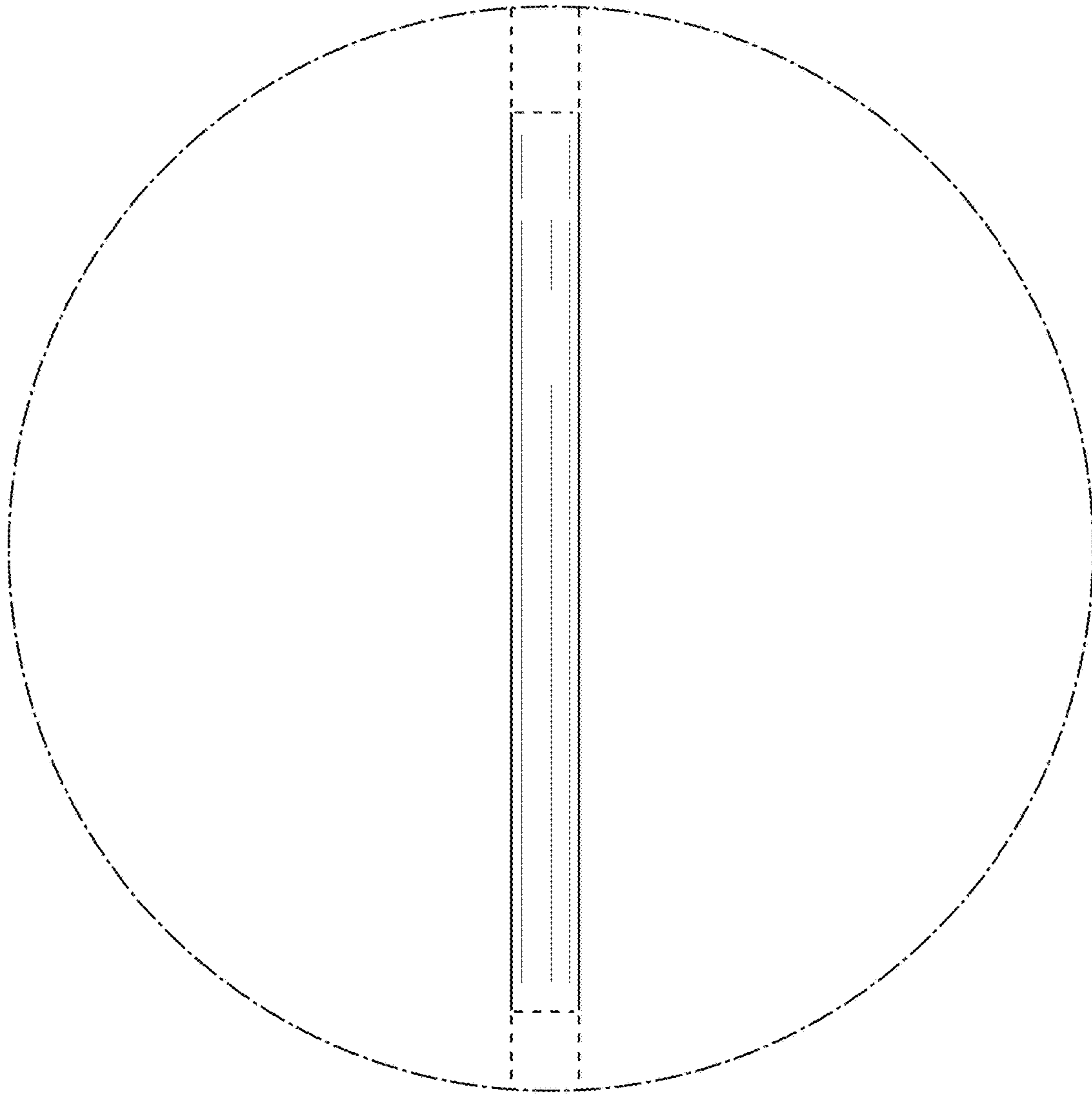


FIG. 12