



US00D804820S

(12) **United States Design Patent** (10) **Patent No.:** **US D804,820 S**
Tobias (45) **Date of Patent:** **** Dec. 12, 2017**

(54) **BRIEF CASE**

(71) Applicant: **PUSSER'S (2001) LTD.**, Tortola (VG)

(72) Inventor: **Charles Tobias**, Tortola (VG)

(73) Assignee: **PUSSEERS IP HOLDINGS LTD.**, Road Town, Tortola (VG)

(**) Term: **15 Years**

(21) Appl. No.: **29/561,472**

(22) Filed: **Apr. 15, 2016**

(51) **LOC (10) Cl.** **03-01**

(52) **U.S. Cl.**
USPC **D3/283**; D3/301; D3/900

(58) **Field of Classification Search**
USPC D3/273, 276, 284, 285, 287, 289, 290,
D3/900, 902, 904, 227, 230, 217, 243,
D3/232
CPC A45C 2003/007; A45C 2003/008; A45C
3/02; A45C 7/0059; A45C 3/00
See application file for complete search history.

(56) **References Cited**

U.S. PATENT DOCUMENTS

2,047,914	A *	7/1936	Lifton	A45C 3/02 190/109
D329,330	S *	9/1992	Pardo	D3/290
D415,893	S *	11/1999	Inbert	D3/232
D416,681	S *	11/1999	Imbert	D3/290
D422,410	S *	4/2000	Bischoff	D3/276
6,237,766	B1 *	5/2001	Hollingsworth	A45C 13/02 190/103
D456,135	S *	4/2002	Shapiro	D3/276
D468,101	S *	1/2003	Hassett	D3/283
D504,229	S *	4/2005	Duvigneau	D3/243
D535,101	S *	1/2007	Suppangig	D3/289
D672,959	S *	12/2012	Denzinger	D3/289
D677,466	S *	3/2013	Passavant	D3/290
D755,511	S *	5/2016	Maier	D3/232
D759,970	S *	6/2016	Dumas	D3/276

D761,564	S *	7/2016	Rhodes	D3/284
D771,942	S *	11/2016	Wu	D3/289
D775,825	S *	1/2017	Chehebar	D3/276
2012/0240521	A1 *	9/2012	Johnson	A45C 13/02 53/396
2015/0359307	A1 *	12/2015	Kandel	A45C 11/00 190/109

OTHER PUBLICATIONS

Bluefly, "Salvatore Ferragamo Black Textured Calfskin 'revival' Accordion Briefcase" Accessed Feb. 1, 2017. (<http://www.bluefly.com/salvatore-ferragamo-black-textured-calfskin-revival-accordion-briefcase/p/375958301>).*

* cited by examiner

Primary Examiner — Jennifer Rivard

Assistant Examiner — April Rivas

(74) *Attorney, Agent, or Firm* — Birch, Stewart, Kolasch & Birch, LLP

(57) **CLAIM**

The ornamental design for a brief case, as shown and described.

DESCRIPTION

FIG. 1 is a front perspective view of a brief case showing my new design;
FIG. 2 is a rear perspective view thereof;
FIG. 3 is a front elevational view thereof with the closure flap in an open position;
FIG. 4 is a front elevational view thereof;
FIG. 5 is a rear elevational thereof;
FIG. 6 is a left side elevational view thereof, the right side being a mirror image thereof;
FIG. 7 is a top plan view thereof; and,
FIG. 8 is a bottom plan view thereof.
The broken lines illustrate stitching on the brief case and form part of the claimed design.

1 Claim, 7 Drawing Sheets





FIG. 1

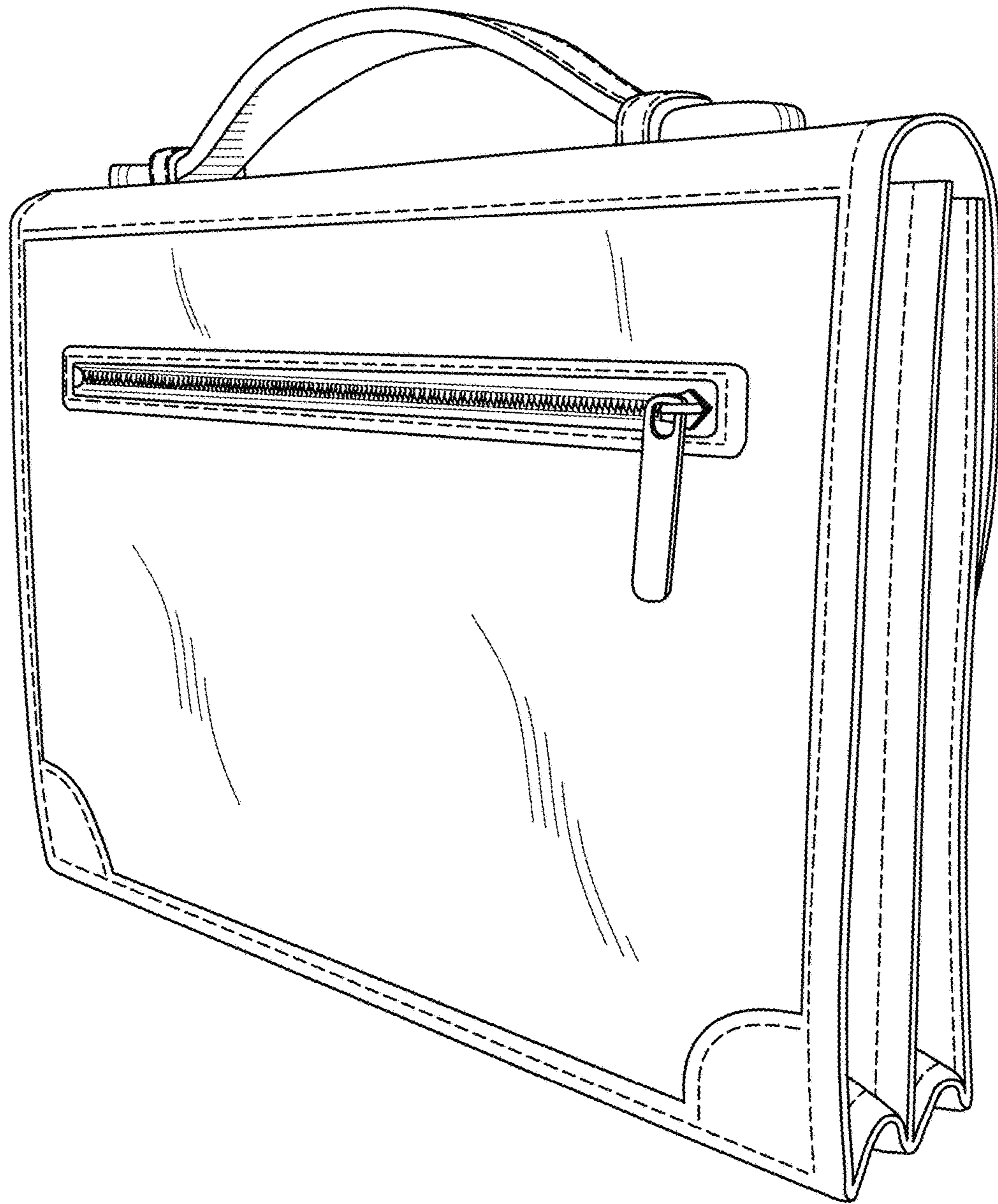


FIG. 2

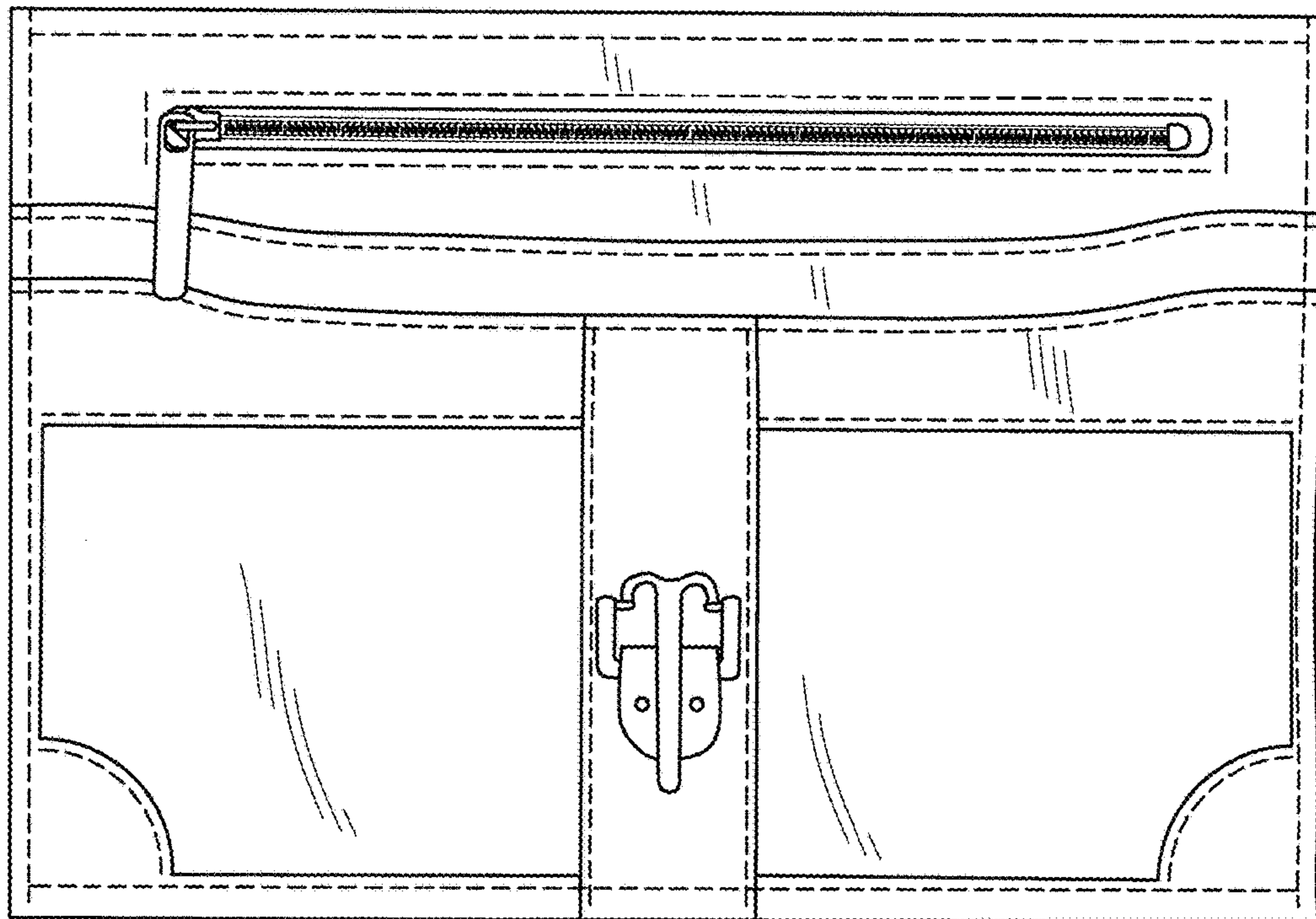


FIG. 3

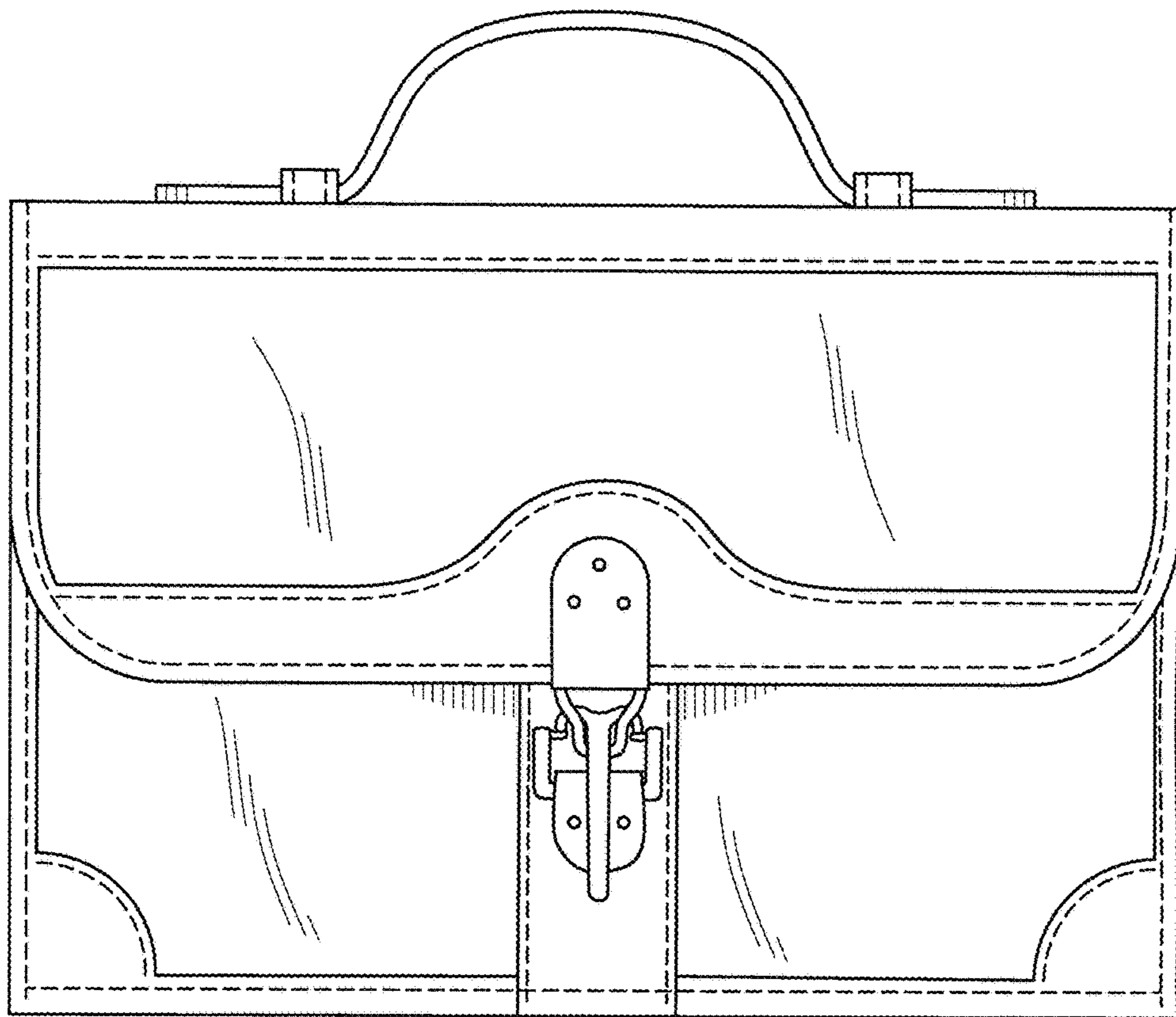


FIG. 4

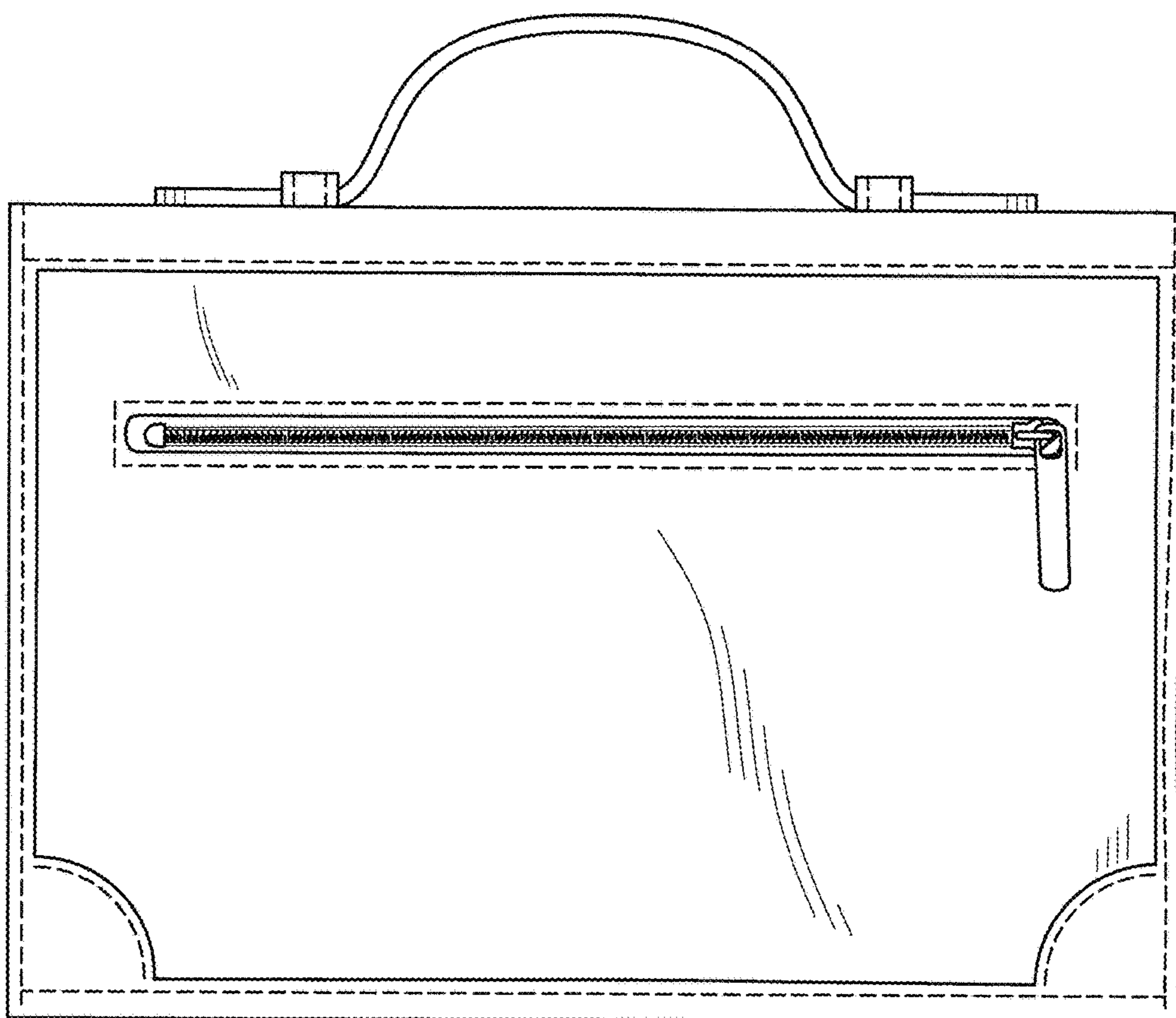


FIG. 5

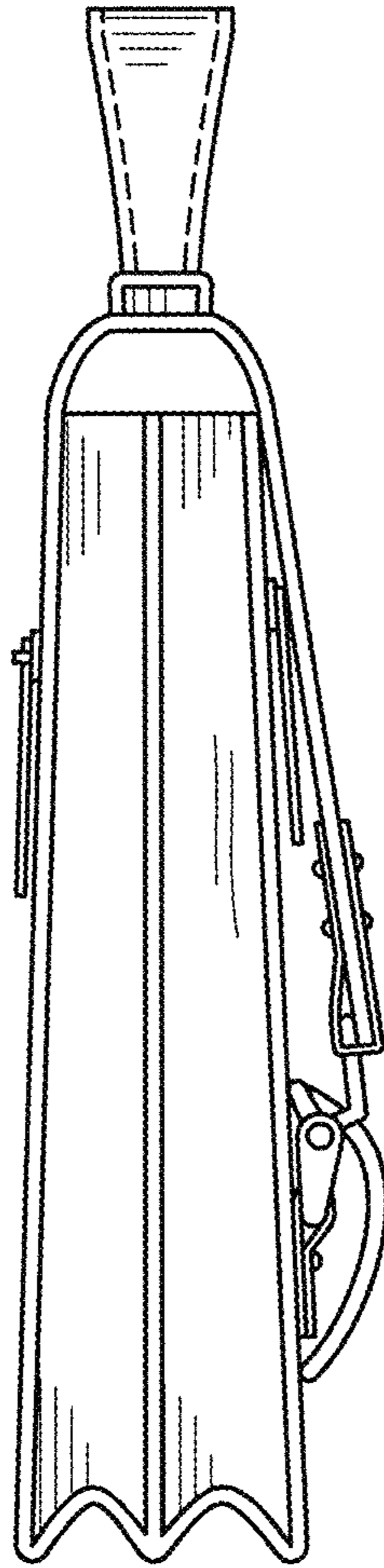


FIG. 6

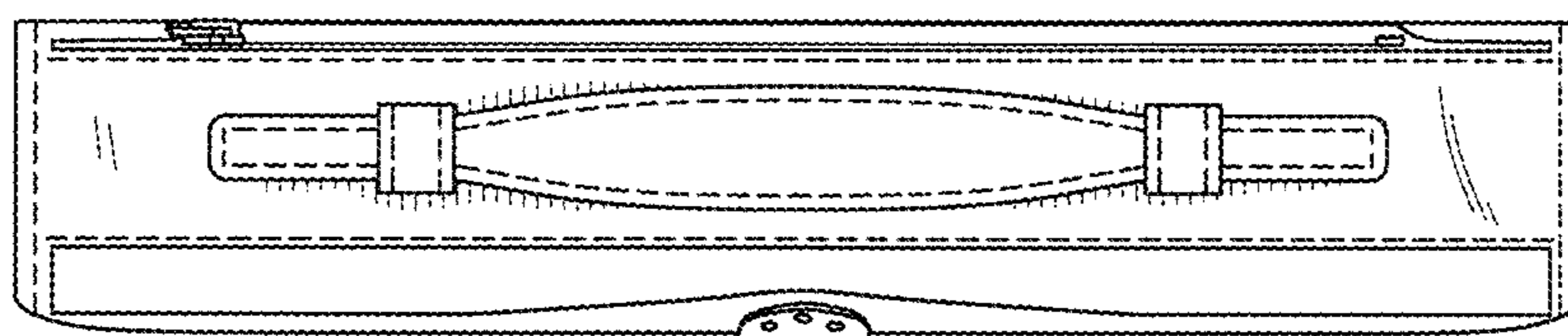


FIG. 7

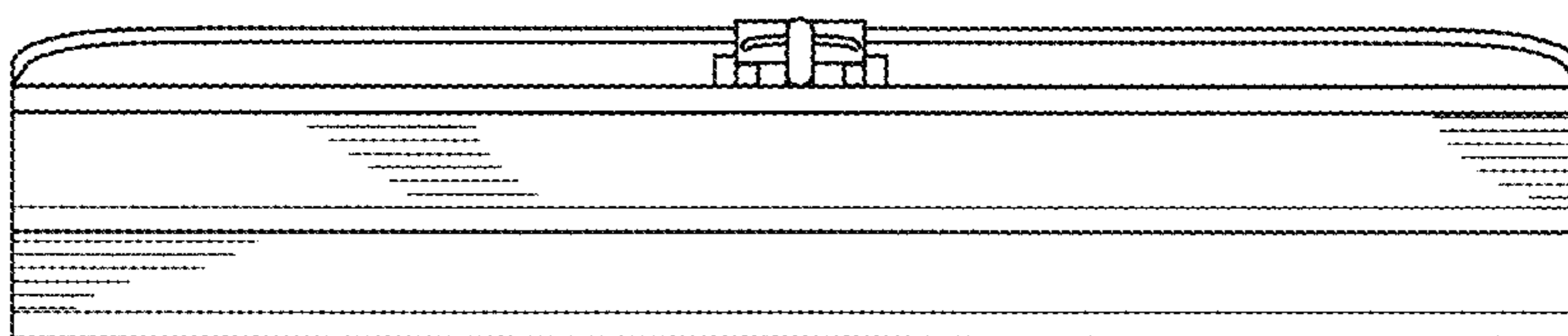


FIG. 8