



US00D804819S

(12) **United States Design Patent**
Faibish et al.

(10) **Patent No.:** **US D804,819 S**

(45) **Date of Patent:** **** Dec. 12, 2017**

(54) **TOOL CHEST**

(71) Applicant: **The Stanley Works Israel Ltd.**, Rosh Ha' Ayin (IL)

(72) Inventors: **Abraham Faibish**, Moshav Tal Shazar (IL); **Michael Menirom**, Raanana (IL)

(73) Assignee: **The Stanley Works Israel Ltd.** (IL)

(**) Term: **15 Years**

(21) Appl. No.: **29/561,818**

(22) Filed: **Apr. 20, 2016**

(30) **Foreign Application Priority Data**

Oct. 22, 2015 (EM) 002833202-0001

(51) **LOC (10) Cl.** **03-01**

(52) **U.S. Cl.**
USPC **D3/279; D3/281; D3/905**

(58) **Field of Classification Search**
USPC D3/273, 276, 279, 281, 282, 283, 284, D3/291, 294, 295, 296, 297, 905, 900
CPC B25H 3/00; B25H 3/003; B25H 3/02
See application file for complete search history.

(56) **References Cited**

U.S. PATENT DOCUMENTS

D352,393 S *	11/1994	Fiore	D3/260
D600,912 S *	9/2009	Brunner	D3/291
D609,911 S *	2/2010	Twig	D3/279
D609,913 S *	2/2010	Landau	D3/291
D639,055 S *	6/2011	Fraiman	D3/276
D700,777 S *	3/2014	Shitrit	D3/281
D709,697 S *	7/2014	Brunner	D3/281

D710,100 S *	8/2014	Brunner	D3/279
D724,320 S *	3/2015	Russell	D3/273
D724,842 S *	3/2015	Whalen	D3/294
D744,750 S *	12/2015	Sabbag	D3/281
D767,277 S *	9/2016	Faibish	D3/279
D770,179 S *	11/2016	Menirom	D3/279
D771,381 S *	11/2016	Sosnovsky	D3/279
2003/0075468 A1 *	4/2003	Story	B25H 3/02 206/373
2012/0292213 A1 *	11/2012	Brunner	B25H 3/028 206/349
2014/0102928 A1 *	4/2014	Sabbag	B25H 3/027 206/372
2014/0197059 A1 *	7/2014	Evans	B25H 3/02 206/349

* cited by examiner

Primary Examiner — Jennifer Rivard

Assistant Examiner — April Rivas

(74) *Attorney, Agent, or Firm* — Carl E. Myers

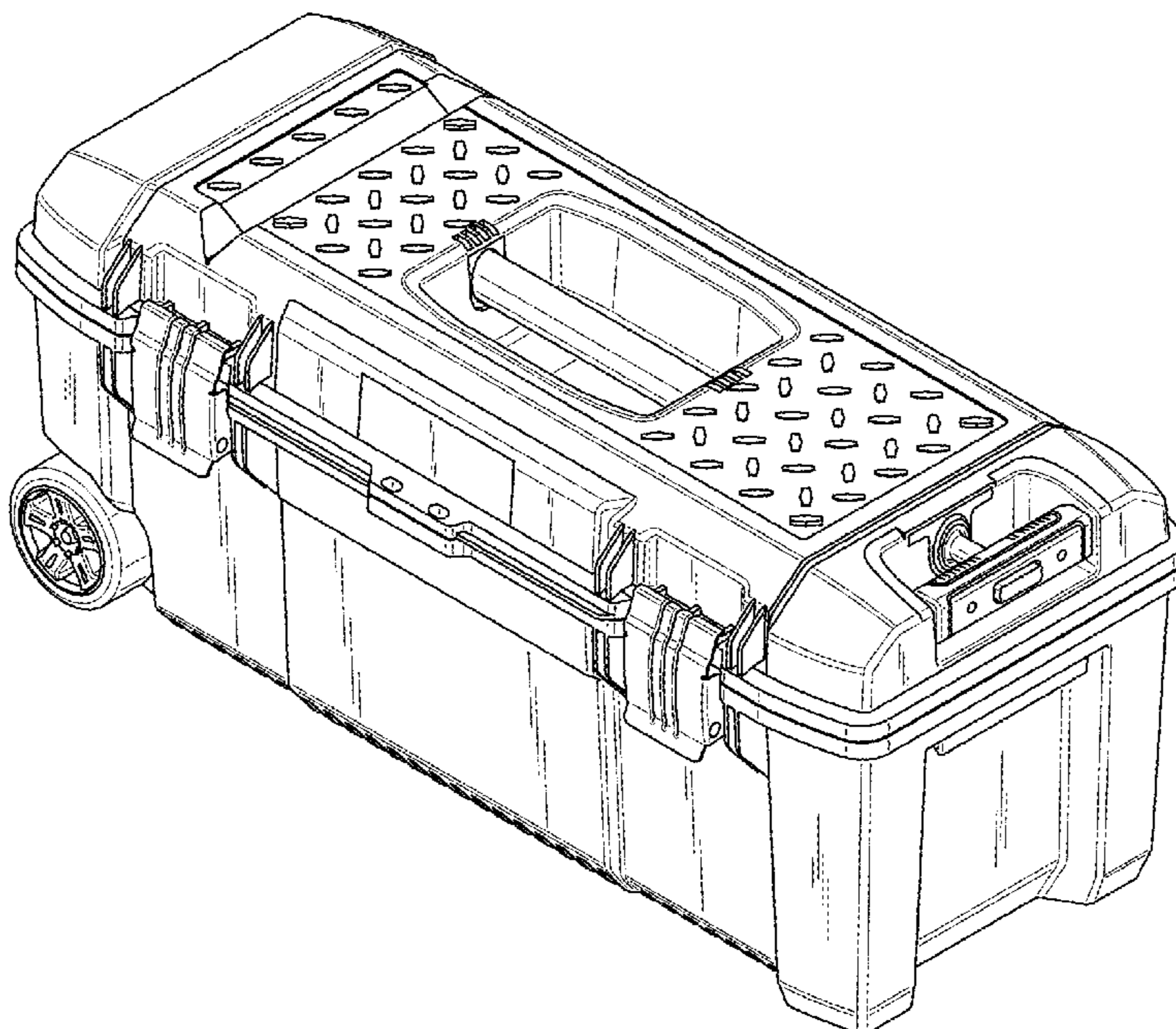
(57) **CLAIM**

The ornamental design for a tool chest, as shown and described.

DESCRIPTION

FIG. 1 is a perspective view of our new design.
FIG. 2 is a front view thereof.
FIG. 3 is a rear view thereof.
FIG. 4 is a left side view thereof.
FIG. 5 is a right side view thereof.
FIG. 6 is a top view thereof; and,
FIG. 7 is a bottom view thereof.
The broken lines illustrate portions of the tool chest and form no part of the claimed design.

1 Claim, 7 Drawing Sheets



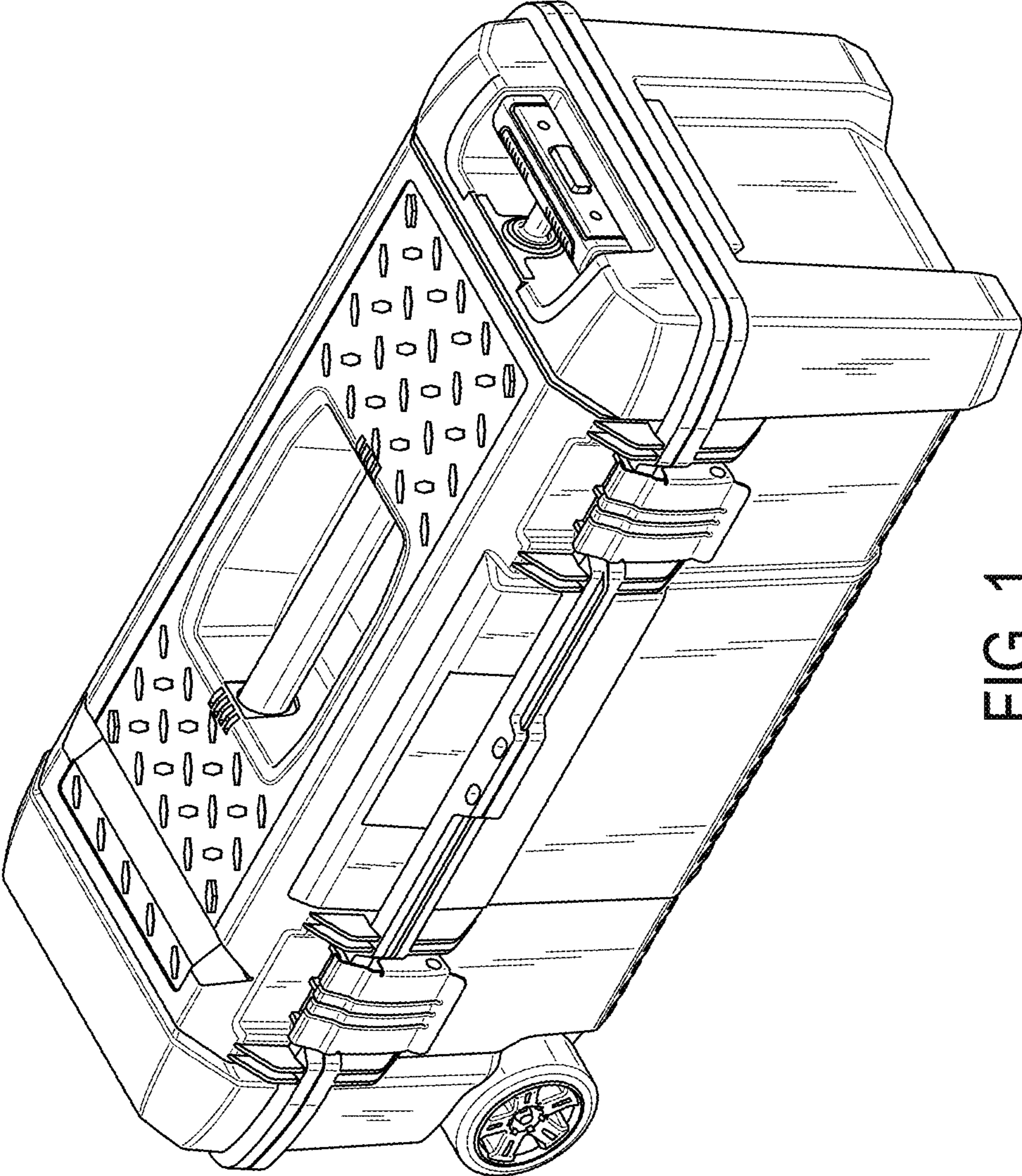


FIG. 1

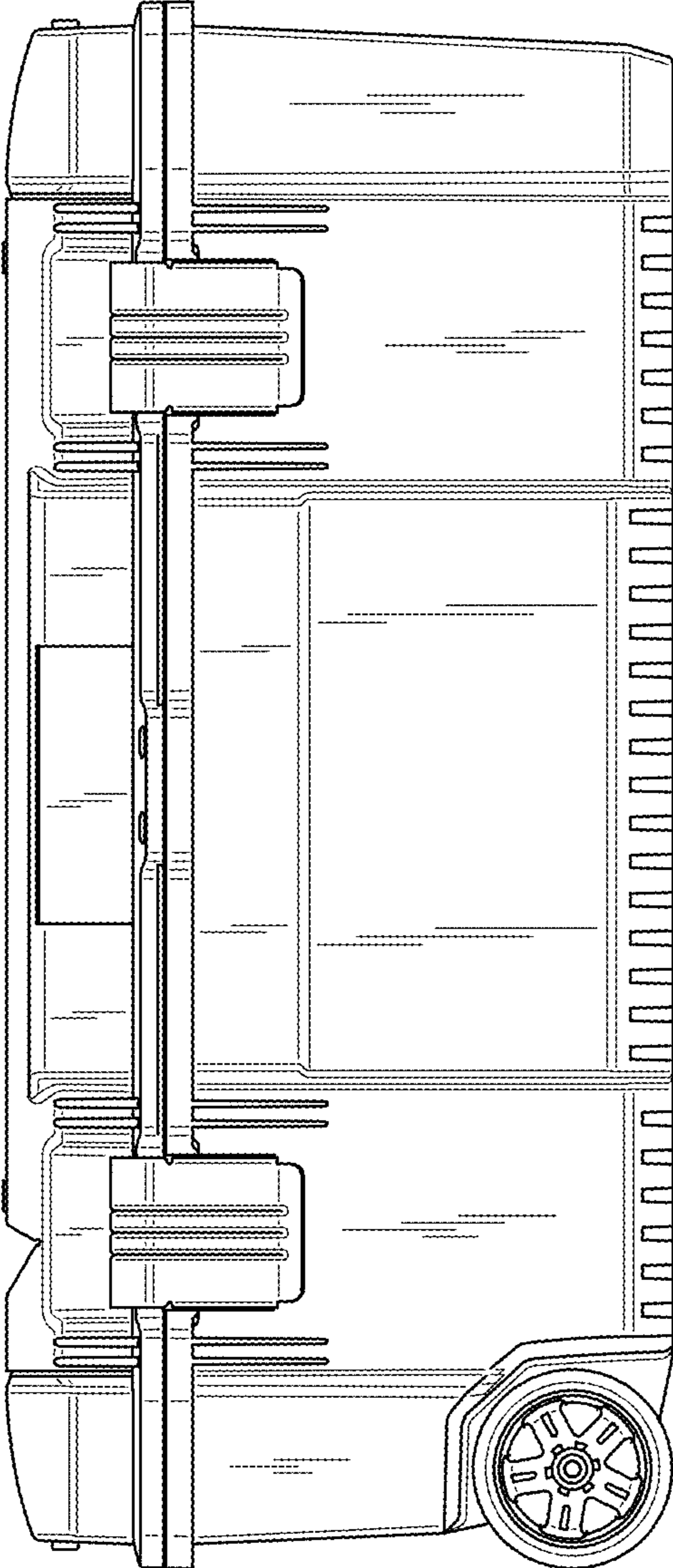


FIG. 2

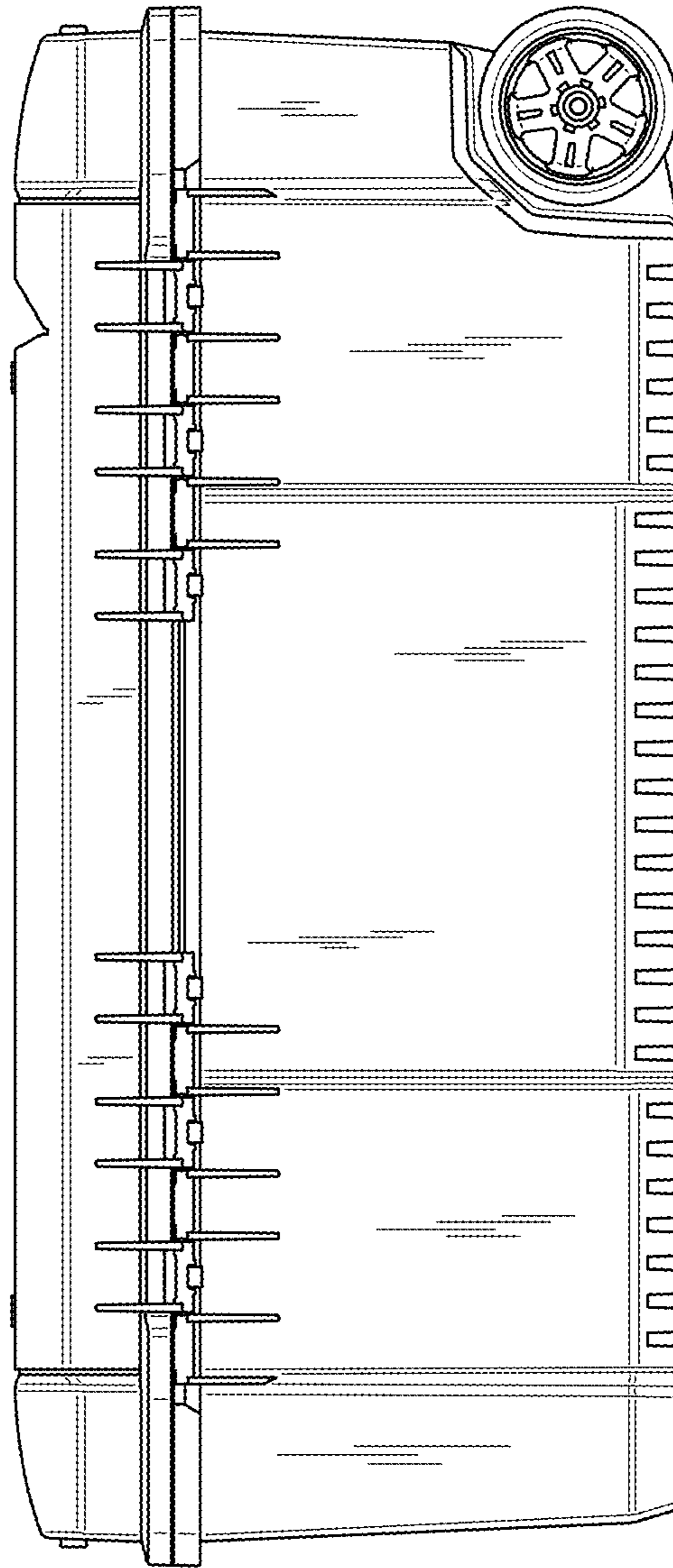


FIG. 3

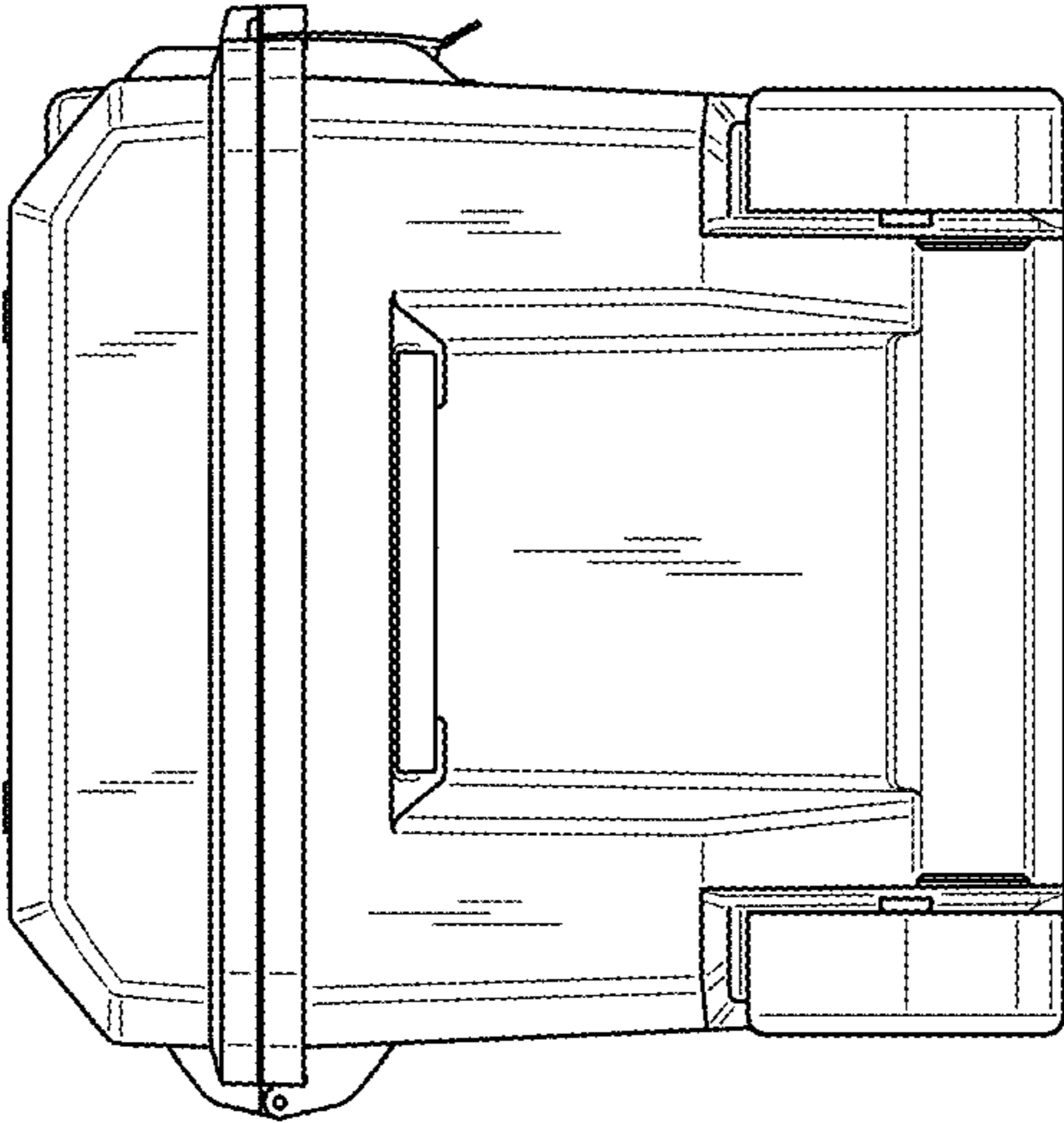


FIG. 4

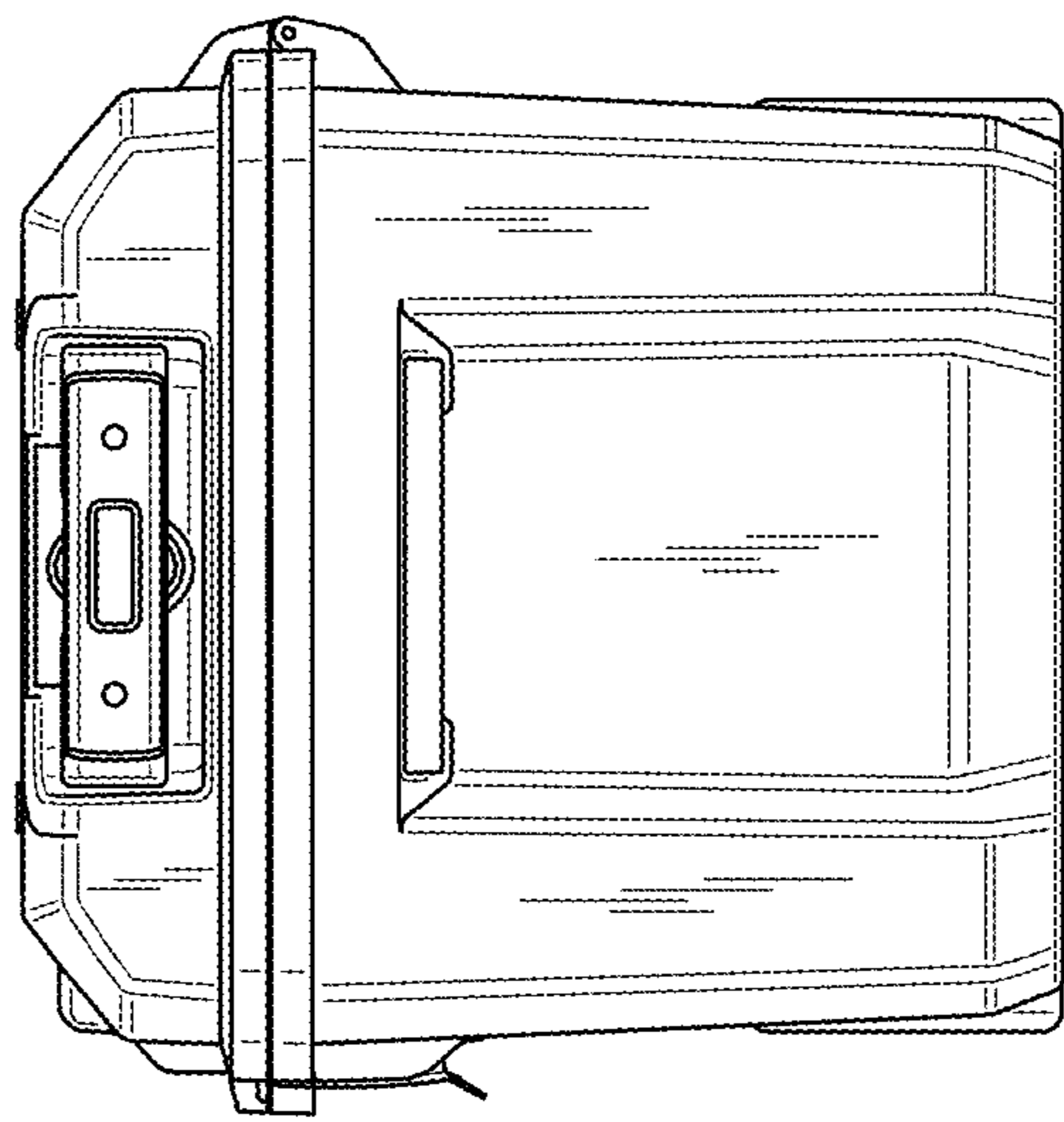


FIG. 5

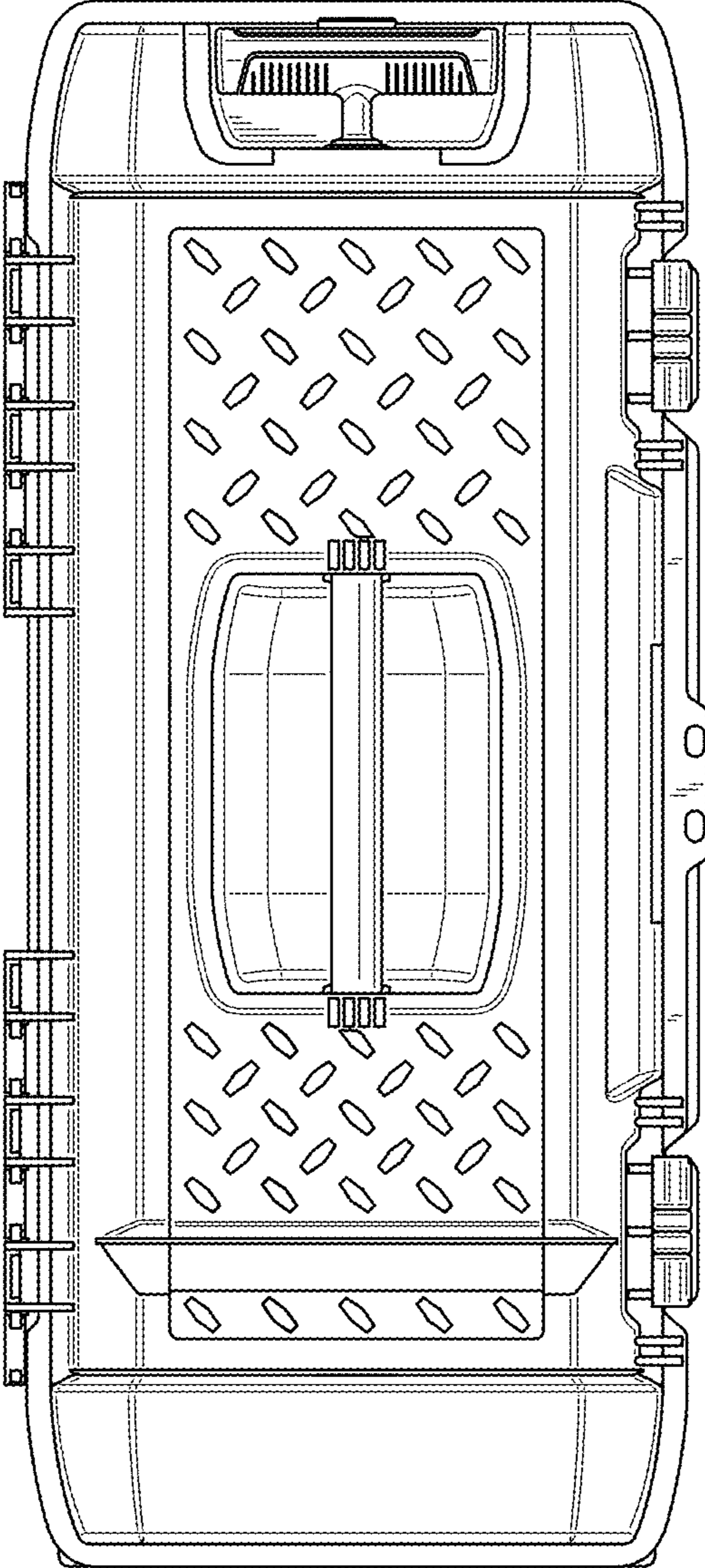


FIG. 6

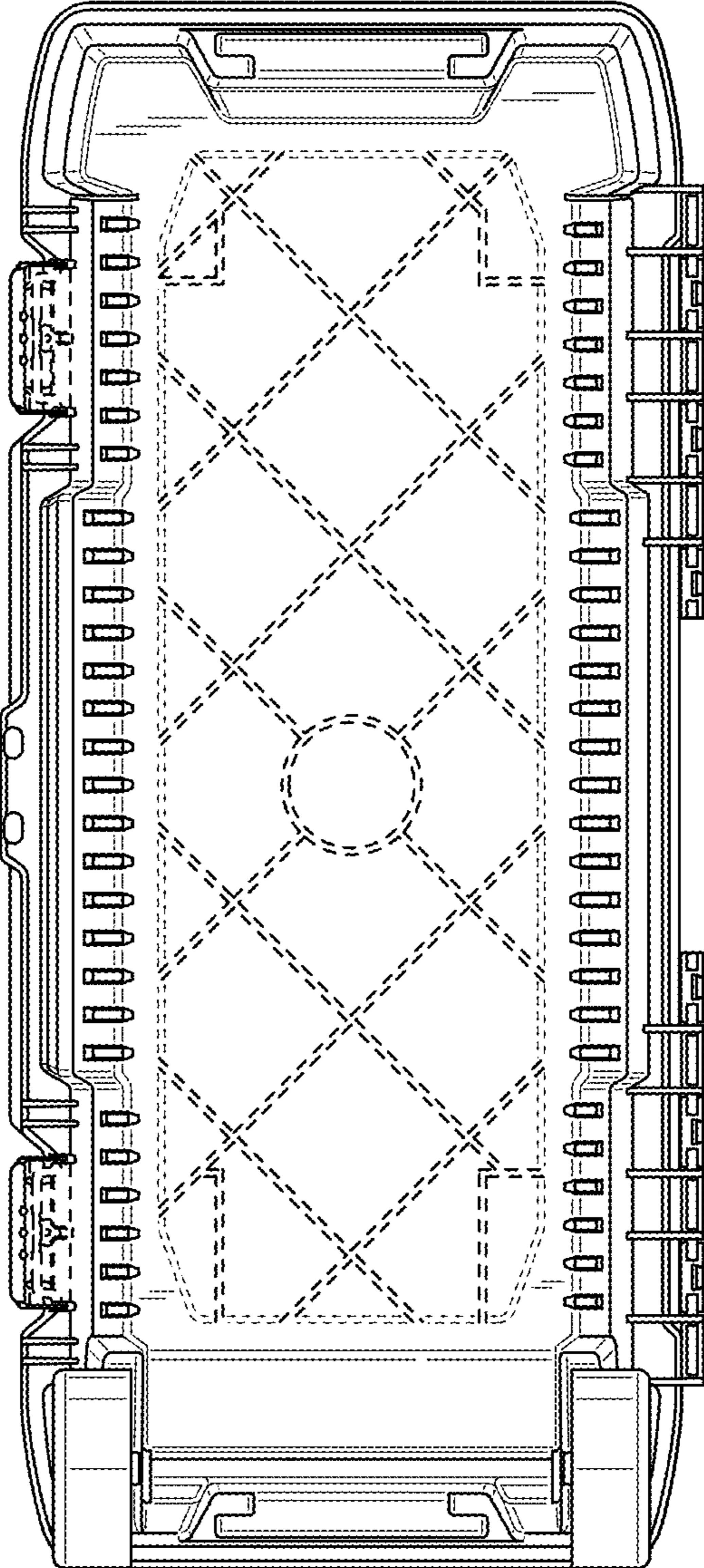


FIG. 7