



US00D804816S

(12) **United States Design Patent**
Bruce

(10) **Patent No.:** **US D804,816 S**

(45) **Date of Patent:** **** Dec. 12, 2017**

(54) **ENGINE BAG**

(71) Applicant: **Aerotest Limited**, Hemel Hempstead (GB)

(72) Inventor: **Michael Bruce**, Chalfont St. Peter (GB)

(73) Assignee: **Aerotest Limited** (GB)

(**) Term: **15 Years**

(21) Appl. No.: **29/573,982**

(22) Filed: **Aug. 11, 2016**

(30) **Foreign Application Priority Data**

Feb. 18, 2016 (EM) 002991497

(51) **LOC (10) Cl.** **03-01**

(52) **U.S. Cl.**
USPC **D3/273**

(58) **Field of Classification Search**
USPC D3/269, 272, 273, 274, 276, 279, 281,
D3/282, 283, 288, 290, 294, 298, 299,
D3/905, 217, 267, 270, 271.1; D34/12,
D34/14, 17, 19, 20, 18, 23, 24, 25, 27
CPC B62B 1/00; B62B 3/00; B25H 3/00; B25H
3/003; B25H 3/02; B25H 5/00; A45C
7/00; A45C 5/00; A45C 5/005; A45C
2005/037; A45C 5/04; A45C 5/14; A45C
2007/0004; A45C 7/0018; A45C
2009/002

See application file for complete search history.

(56) **References Cited**

U.S. PATENT DOCUMENTS

4,371,079 A * 2/1983 Dembicks B25H 3/006
206/349
D279,664 S * 7/1985 Waters, Jr. D12/423

D319,346 S * 8/1991 Jessen D3/255
D324,197 S * 2/1992 Dickinson D12/414.1
D337,657 S * 7/1993 March D3/272
D339,225 S * 9/1993 Zel D3/217
D339,227 S * 9/1993 Fritze D3/255
D411,662 S * 6/1999 Carter D3/279
D465,647 S * 11/2002 Suzuki D3/263
D483,564 S * 12/2003 McKeegan D3/273
D572,477 S * 7/2008 Young D3/271.1
D607,207 S * 1/2010 Horiyama D3/279
D647,298 S * 10/2011 Brundan D3/274
D680,740 S * 4/2013 Konecny, III D3/294
D690,510 S * 10/2013 Fux B62B 1/18
D3/270
D737,573 S * 9/2015 Yanuszka D3/274
D756,646 S * 5/2016 Palsson D3/274
D779,822 S * 2/2017 Grenier D3/279

* cited by examiner

Primary Examiner — Jennifer Rivard

Assistant Examiner — April Rivas

(74) *Attorney, Agent, or Firm* — Goodwin Procter LLP

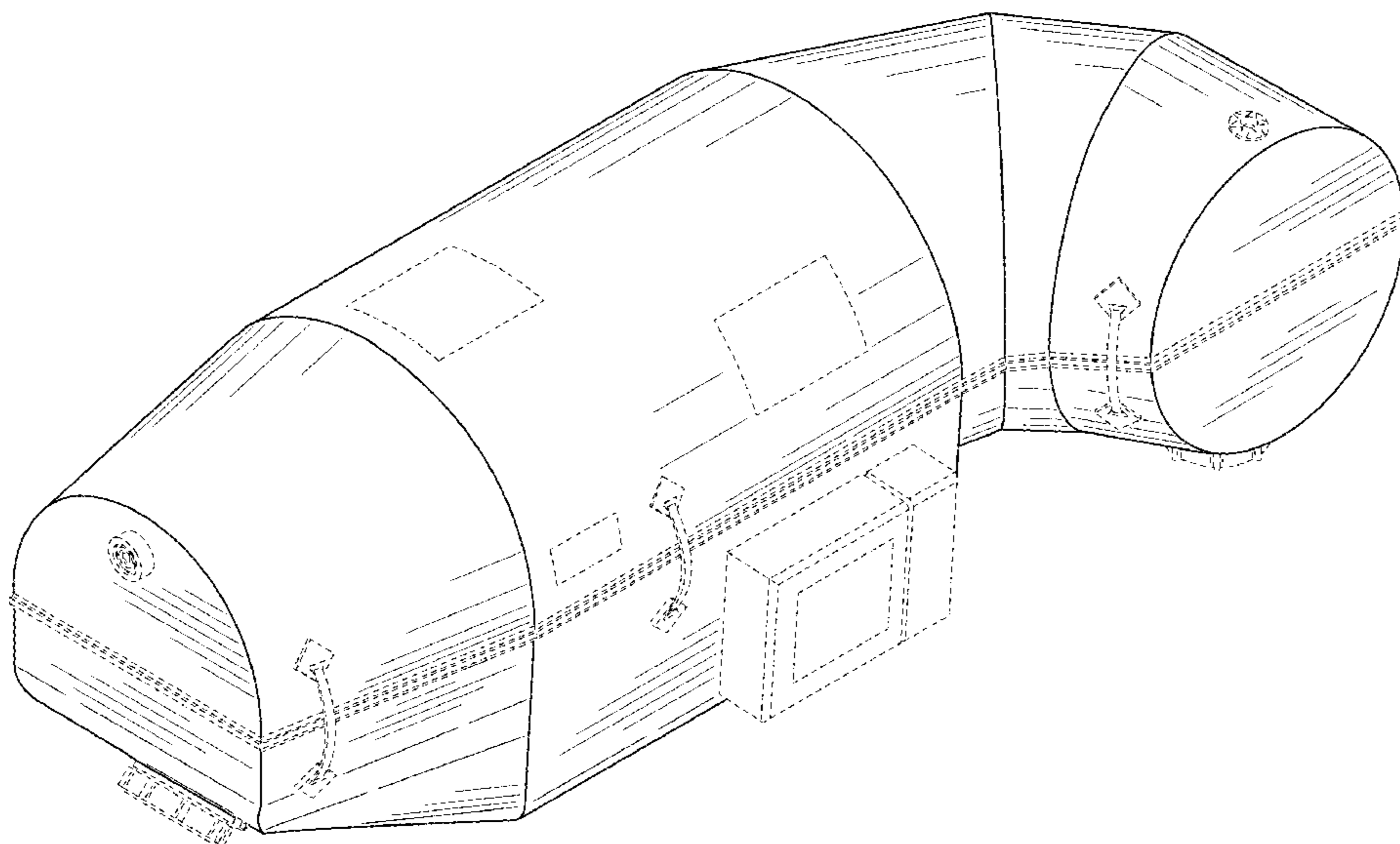
(57) **CLAIM**

The ornamental design for an engine bag, as shown and described.

DESCRIPTION

FIG. 1 is a front top perspective view of an engine bag;
FIG. 2 is a front view of the engine bag;
FIG. 3 is a rear view of the engine bag;
FIG. 4 is a left view of the engine bag;
FIG. 5 is a right view of the engine bag;
FIG. 6 is a top view of the engine bag;
FIG. 7 is a bottom view of the engine bag; and,
FIG. 8 is a front bottom perspective view of the engine bag.
The broken lines illustrate portions of the engine bag and form no part of the claimed design.

1 Claim, 7 Drawing Sheets



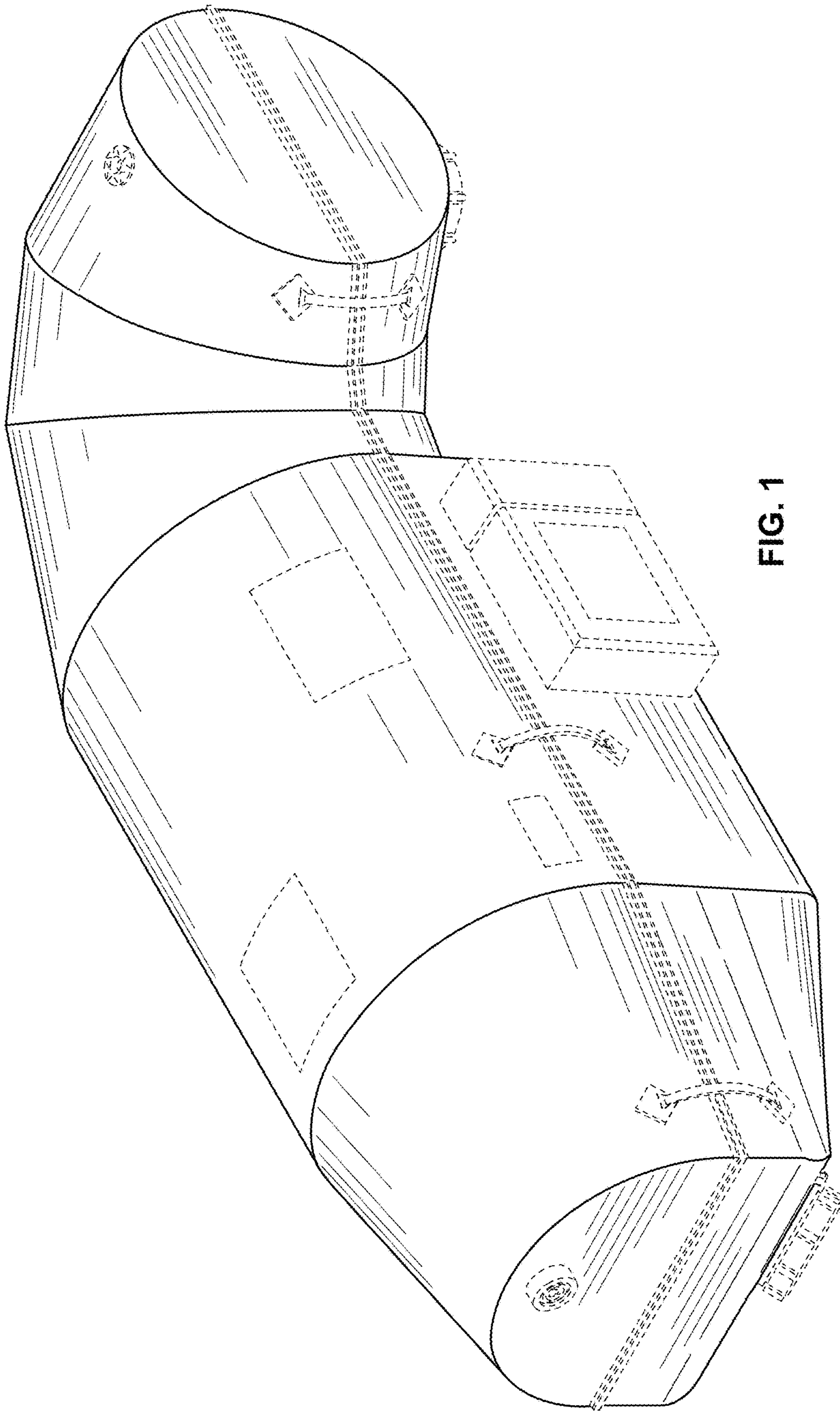


FIG. 1

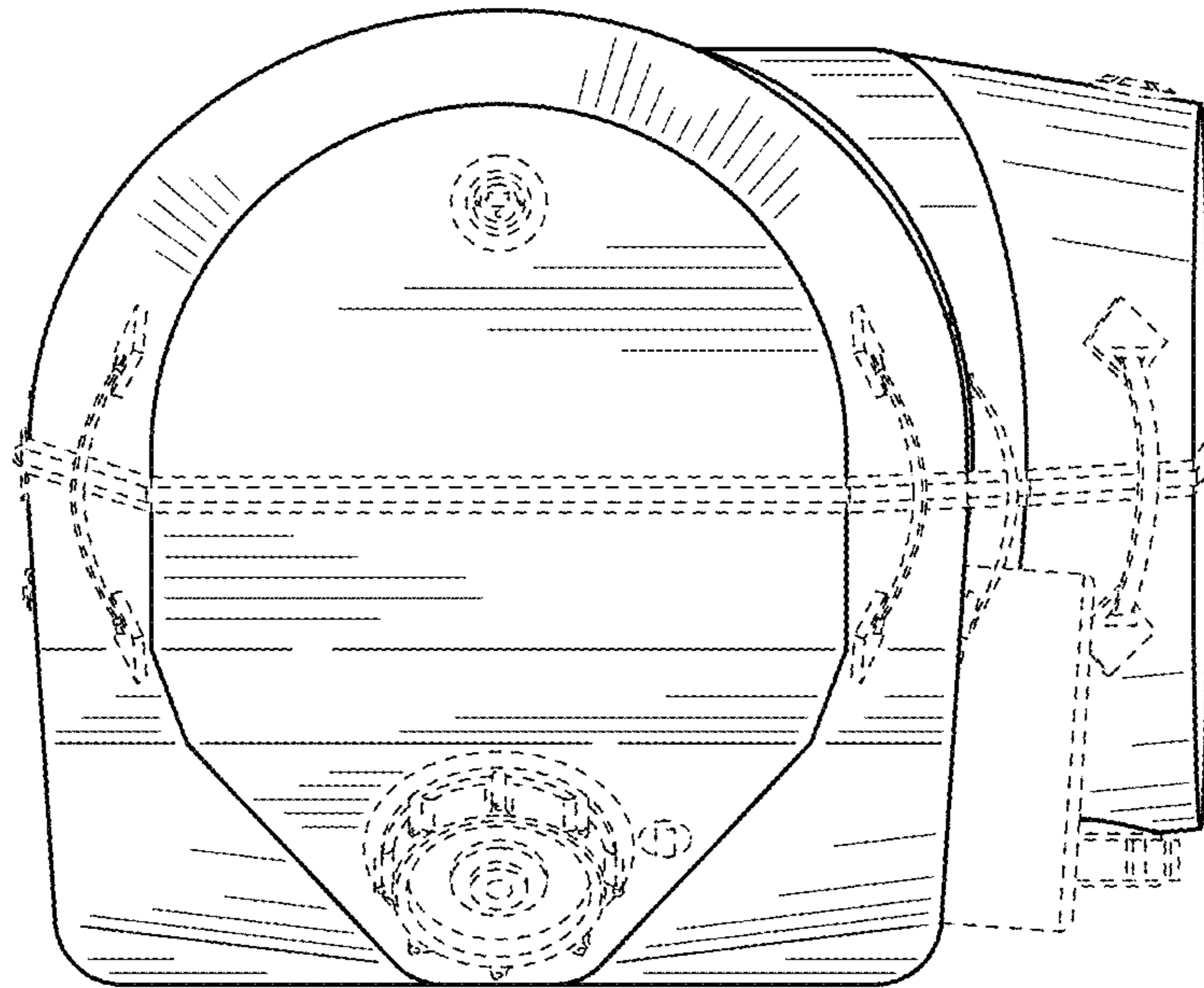


FIG. 2

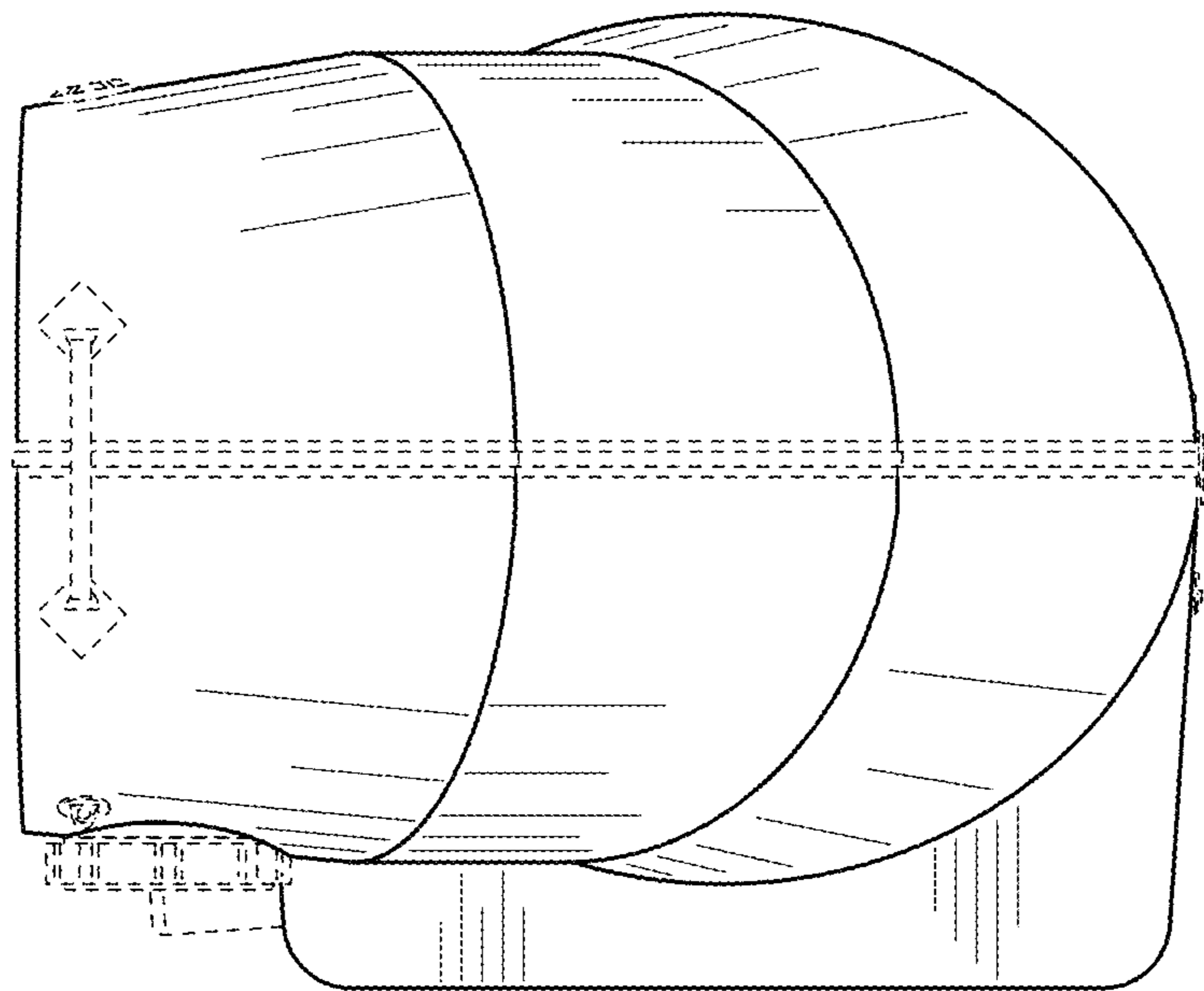


FIG. 3

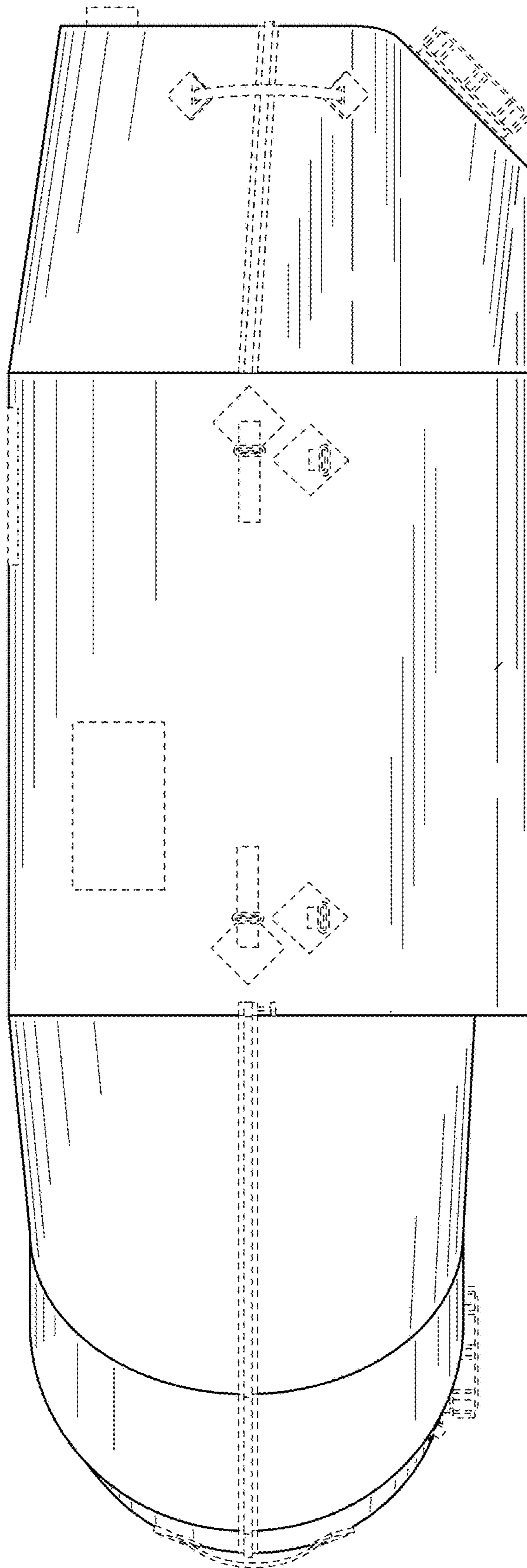


FIG. 4

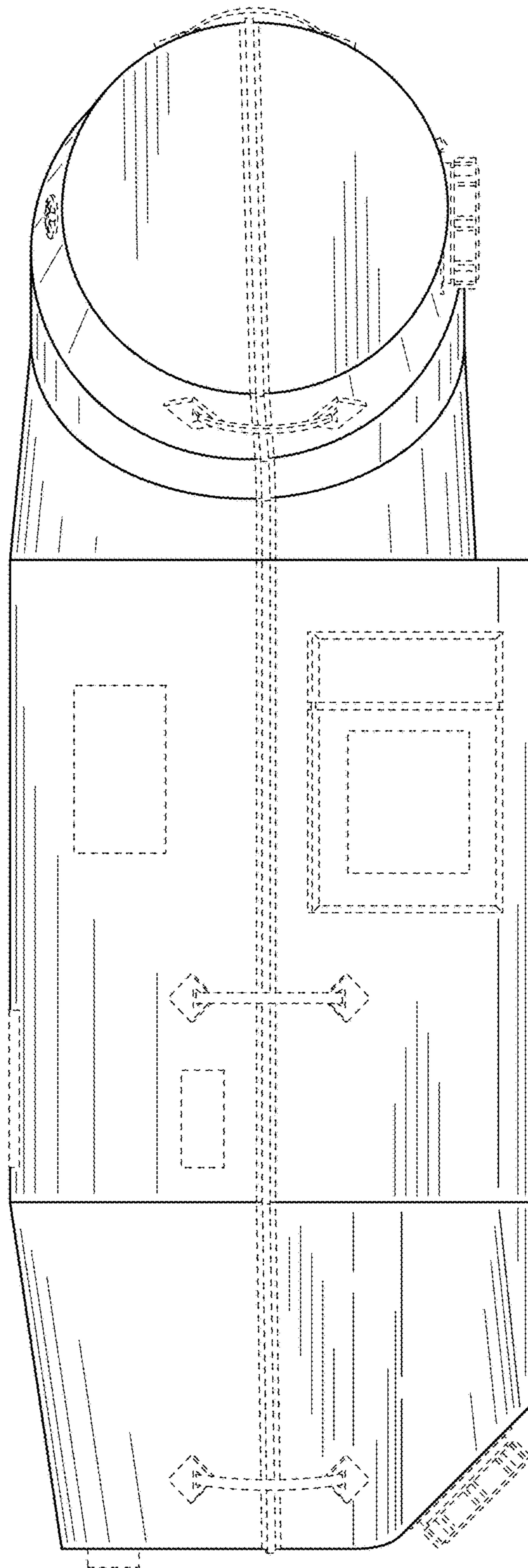


FIG. 5

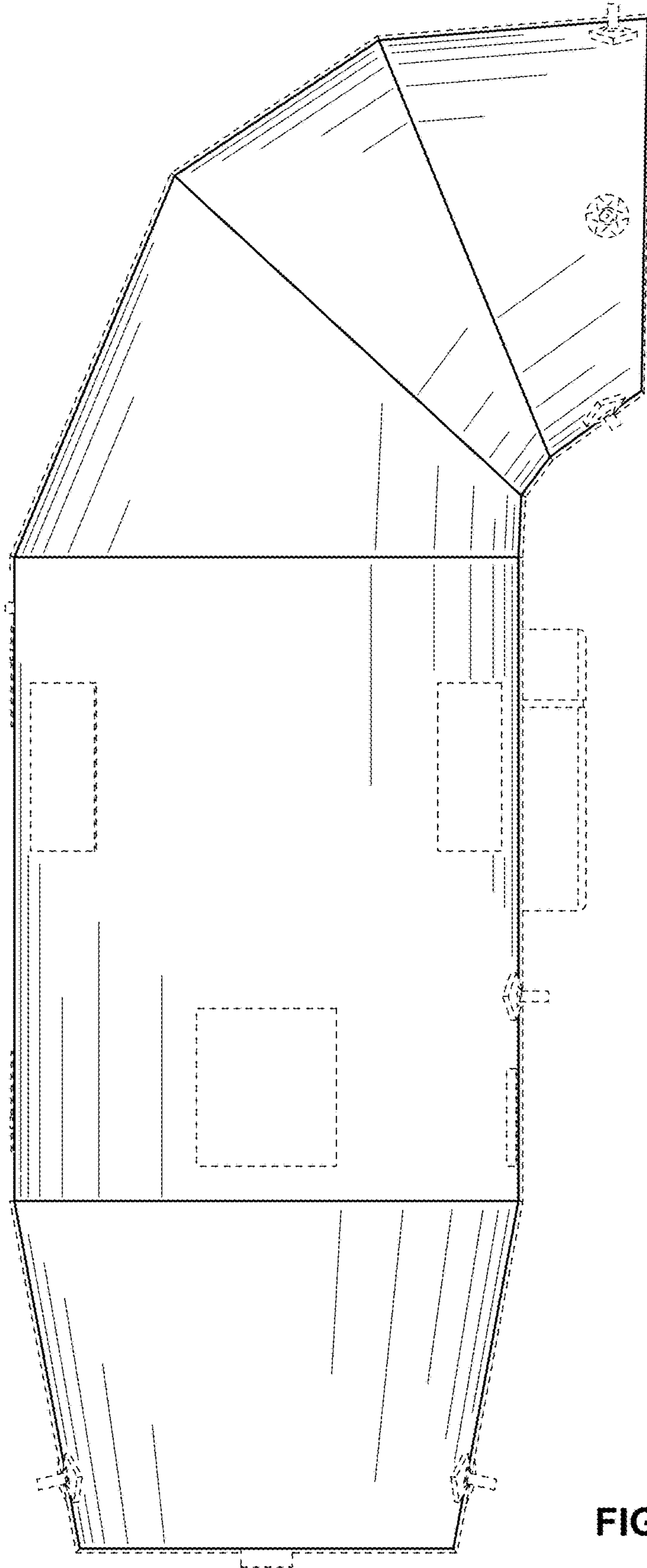


FIG. 6

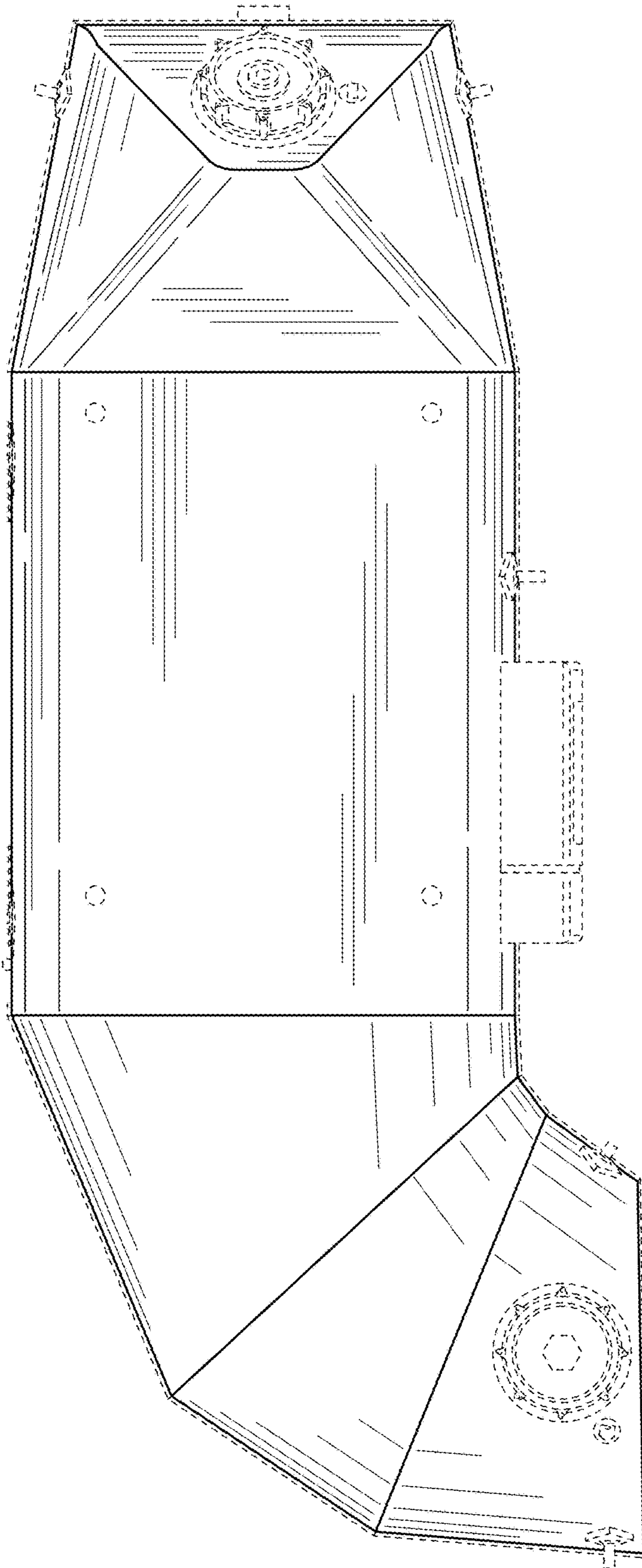


FIG. 7

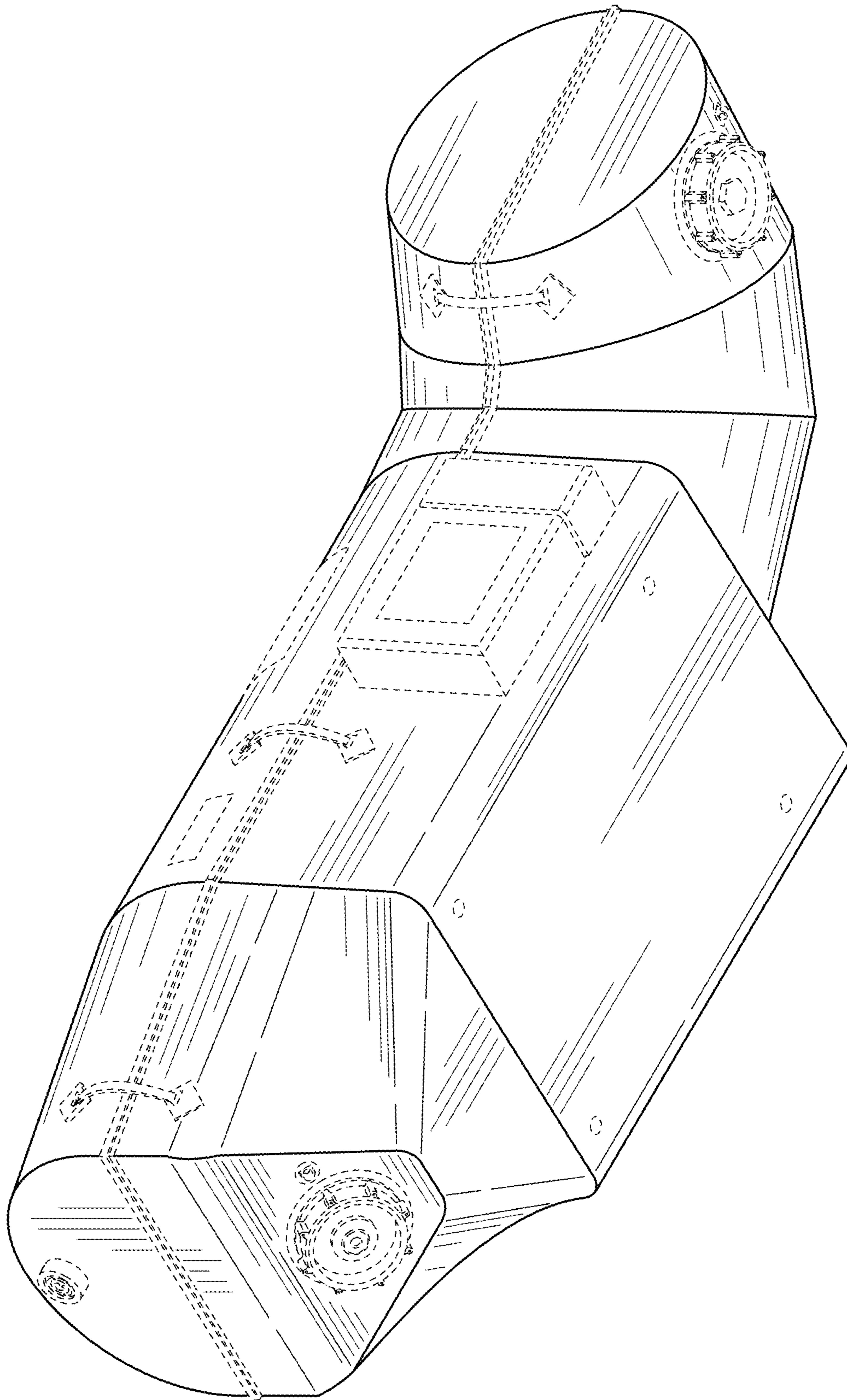


FIG. 8