



US00D804815S

(12) **United States Design Patent**
Chen

(10) **Patent No.:** **US D804,815 S**

(45) **Date of Patent:** **** Dec. 12, 2017**

(54) **WALLET**

(71) Applicant: **Qicong Chen**, Guangdong (CN)

(72) Inventor: **Qicong Chen**, Guangdong (CN)

(**) Term: **15 Years**

(21) Appl. No.: **29/582,026**

(22) Filed: **Oct. 25, 2016**

(51) **LOC (10) Cl.** **03-01**

(52) **U.S. Cl.**
USPC **D3/247**

(58) **Field of Classification Search**
USPC D3/247, 249–253
CPC A45C 1/06; A45C 3/08
See application file for complete search history.

(56) **References Cited**

U.S. PATENT DOCUMENTS

D369,239 S *	4/1996	Deutch	D21/394
D613,502 S *	4/2010	Hardy	D3/247
D698,148 S *	1/2014	Sassi	D3/247
D735,473 S *	8/2015	Bulgari	D3/243

* cited by examiner

Primary Examiner — Holly H Baynham

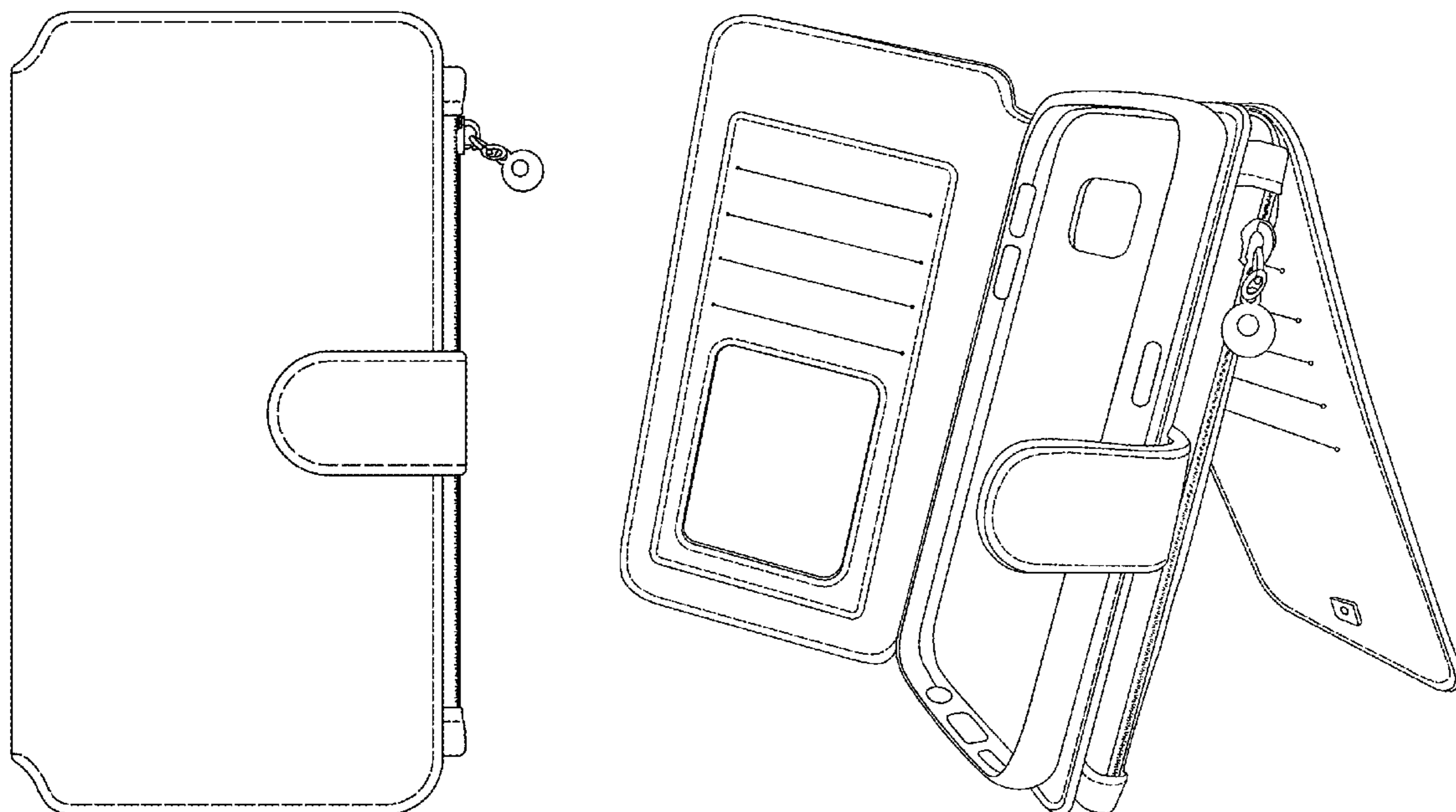
(57) **CLAIM**

The ornamental design for wallet, as shown and described.

DESCRIPTION

FIG. 1 is a front plan view thereof;
 FIG. 2 is a back plan view thereof;
 FIG. 3 is a left plan view thereof;
 FIG. 4 is a right plan view thereof;
 FIG. 5 is a top plan view thereof;
 FIG. 6 is a bottom plan view thereof;
 FIG. 7 is a perspective view thereof, showing my new design in a folded position;
 FIG. 8 is a perspective view thereof, showing my new design in a unfolded position;
 FIG. 9 is a perspective view thereof, showing my new design in a unfolded position;
 FIG. 10 is a perspective view thereof, showing my new design in a unfolded position; and,
 FIG. 11 is a front elevational view of FIG. 10.
 The broken lines representing stitching are part of the claimed design.

1 Claim, 11 Drawing Sheets



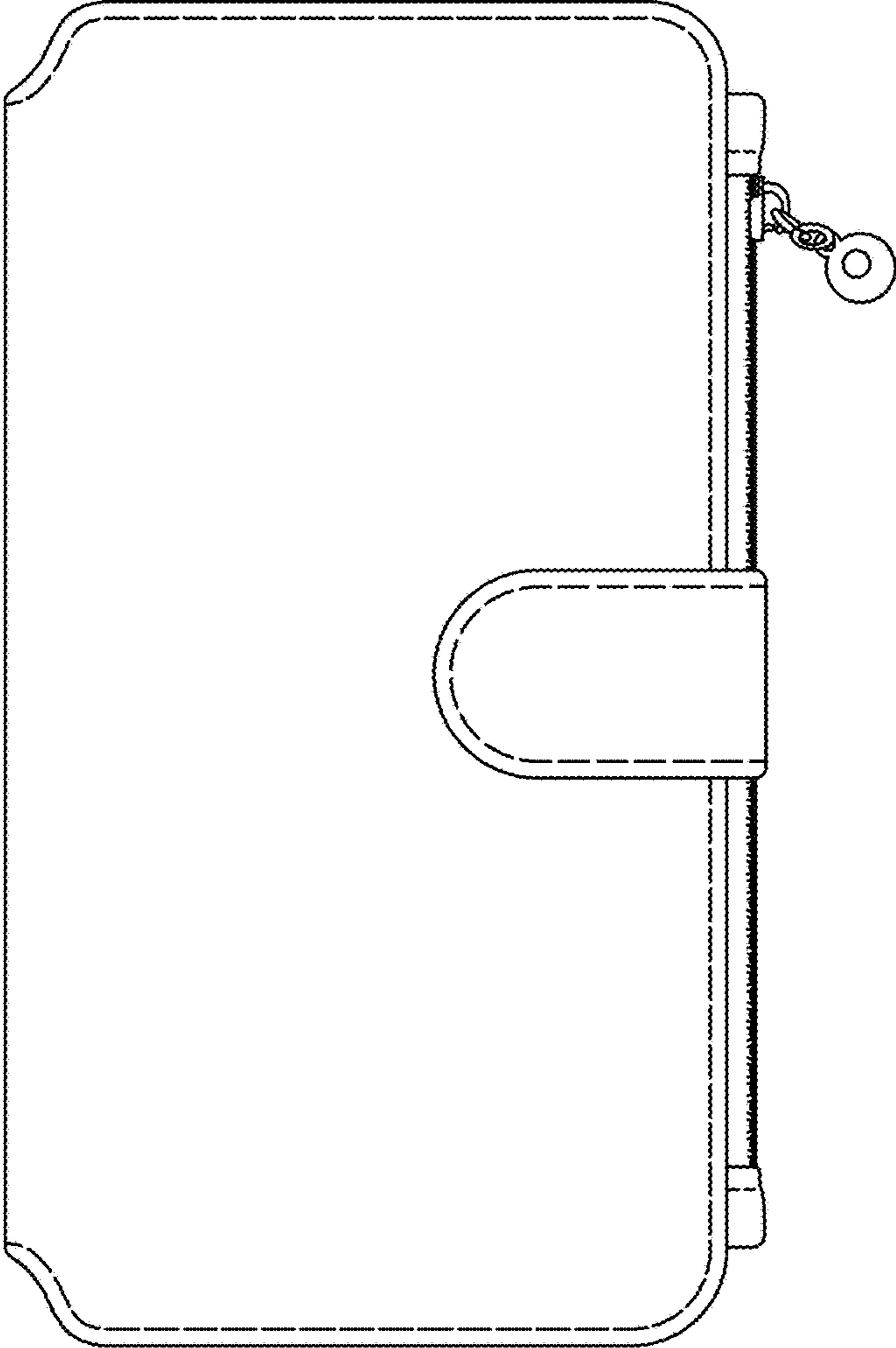


FIG. 1

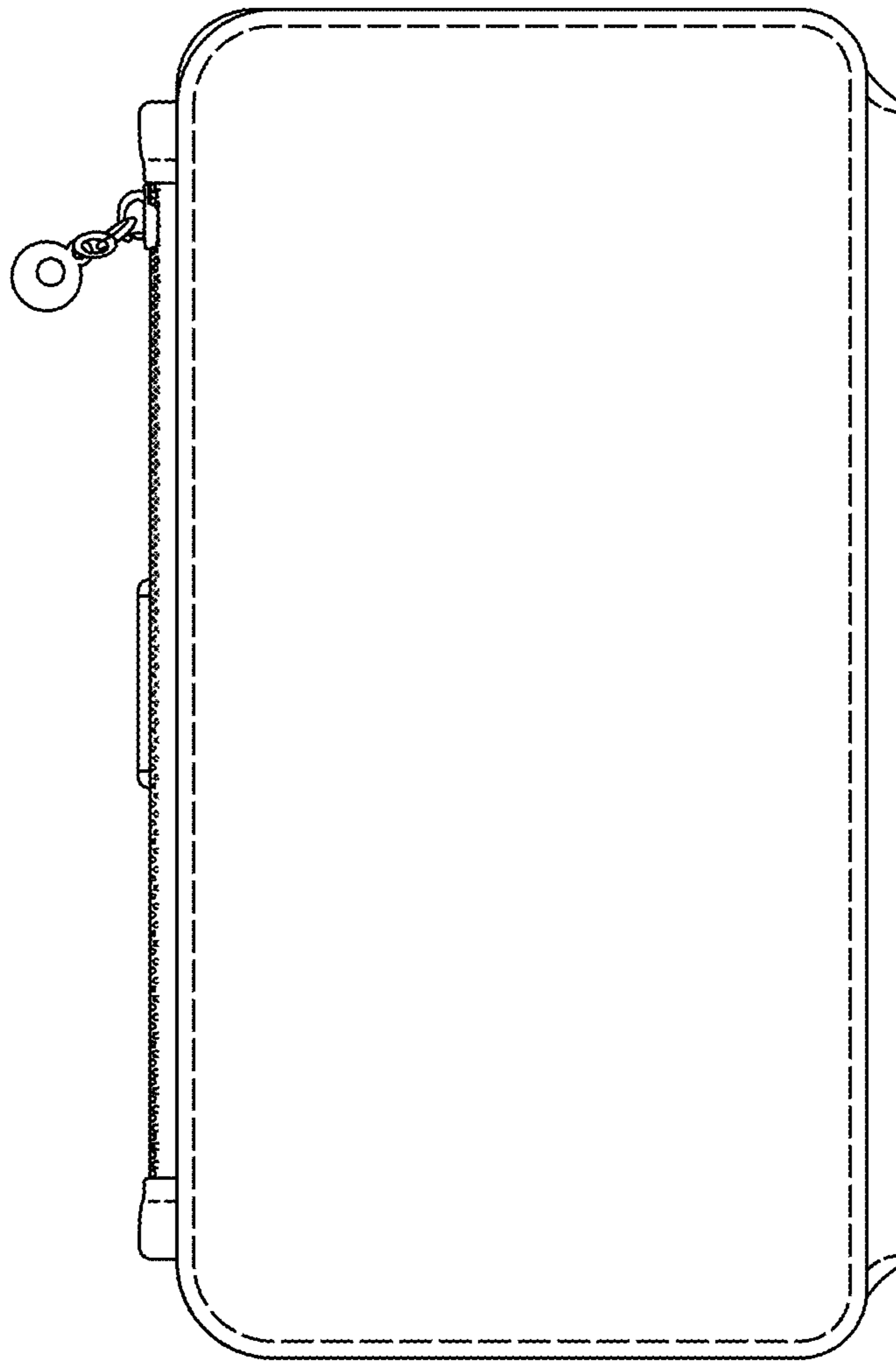


FIG. 2

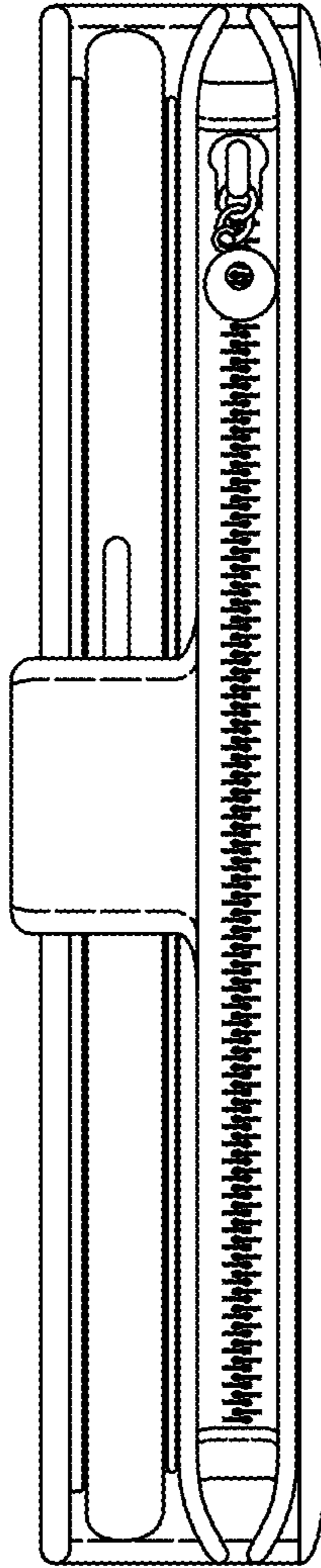


FIG. 3

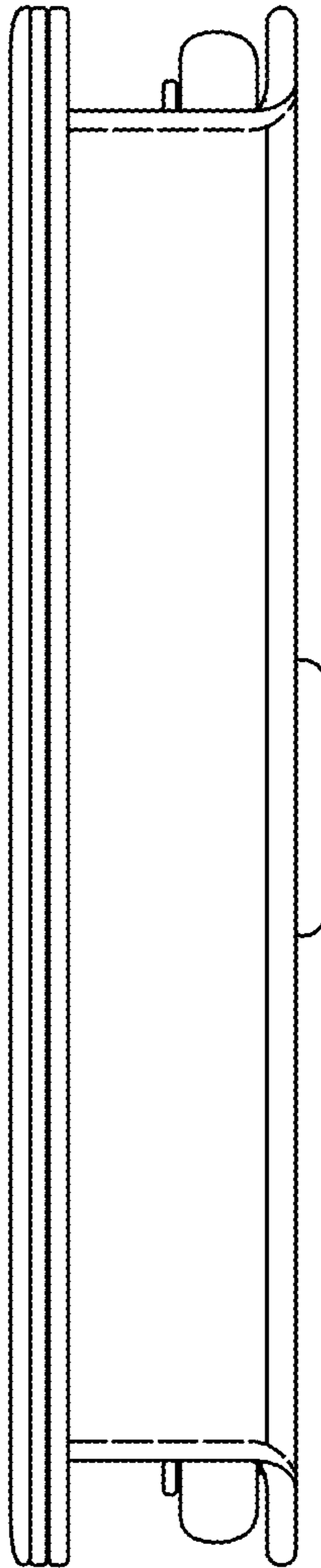


FIG. 4

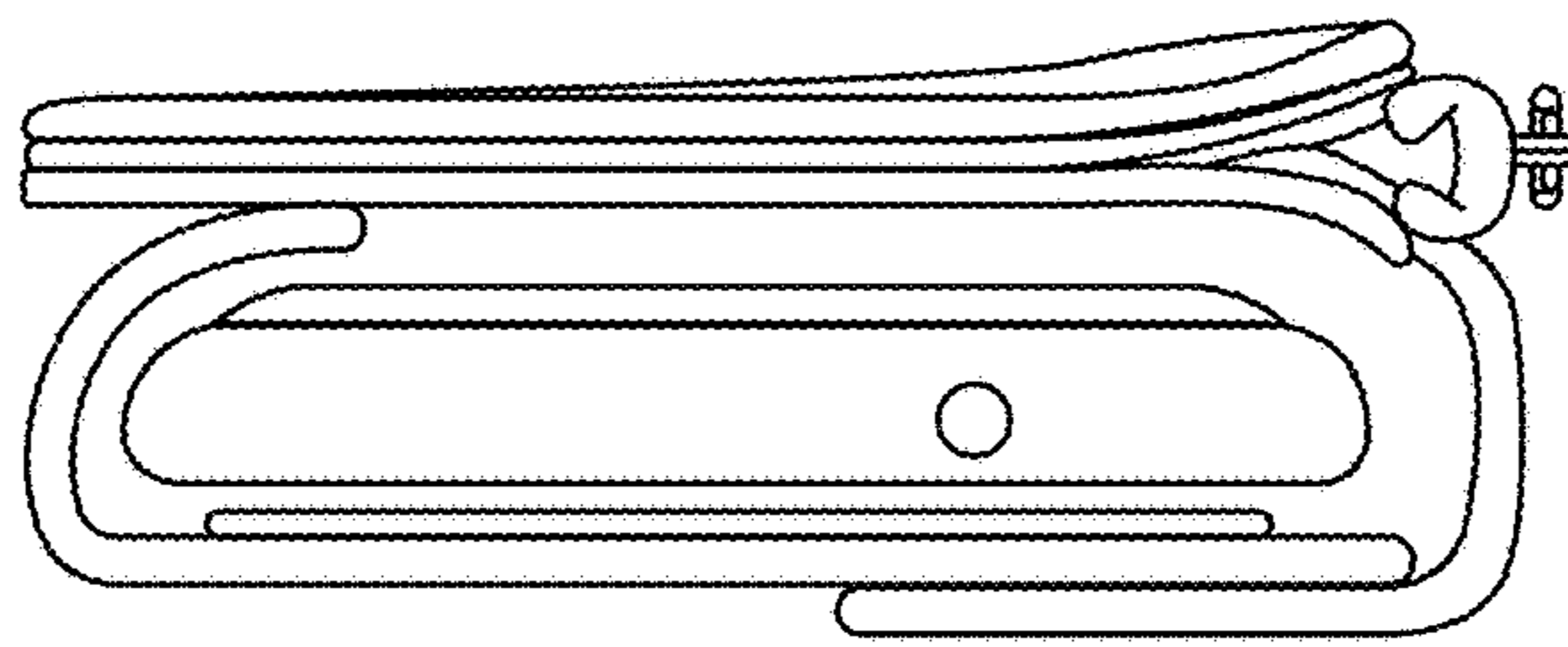


FIG. 5

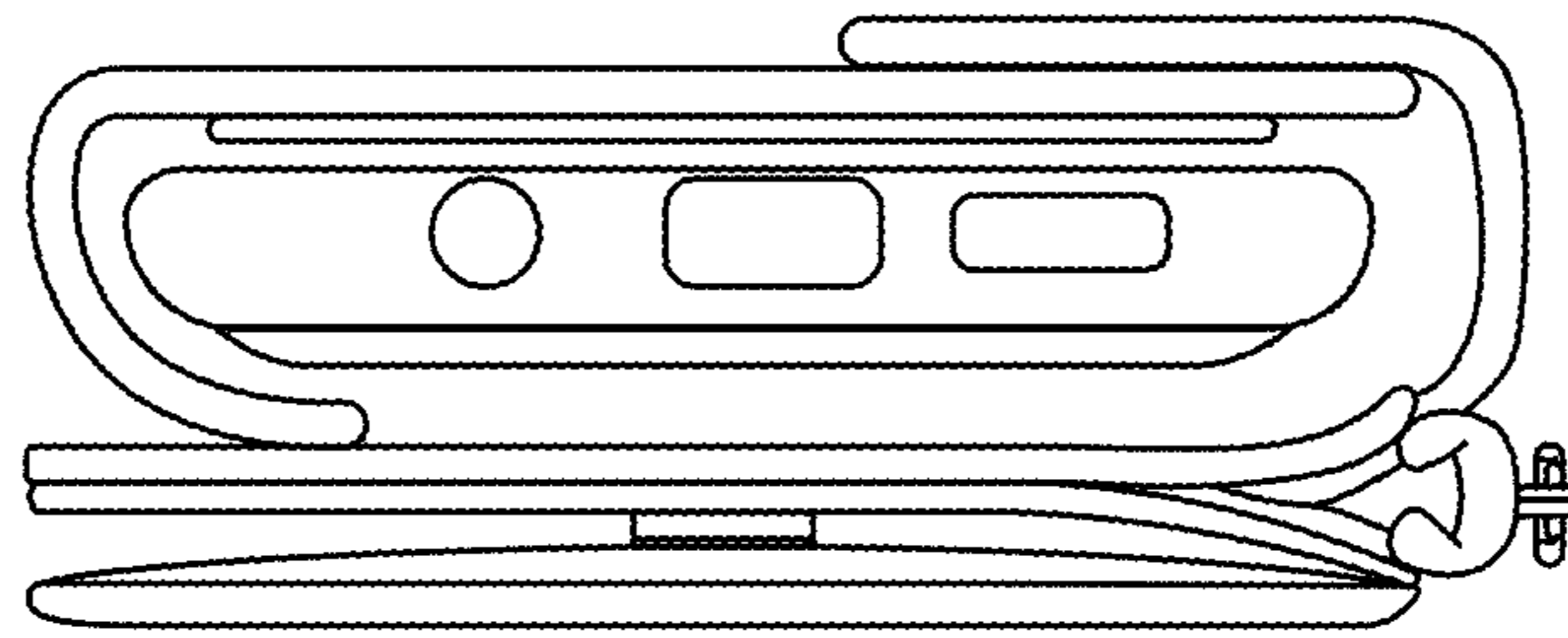


FIG. 6

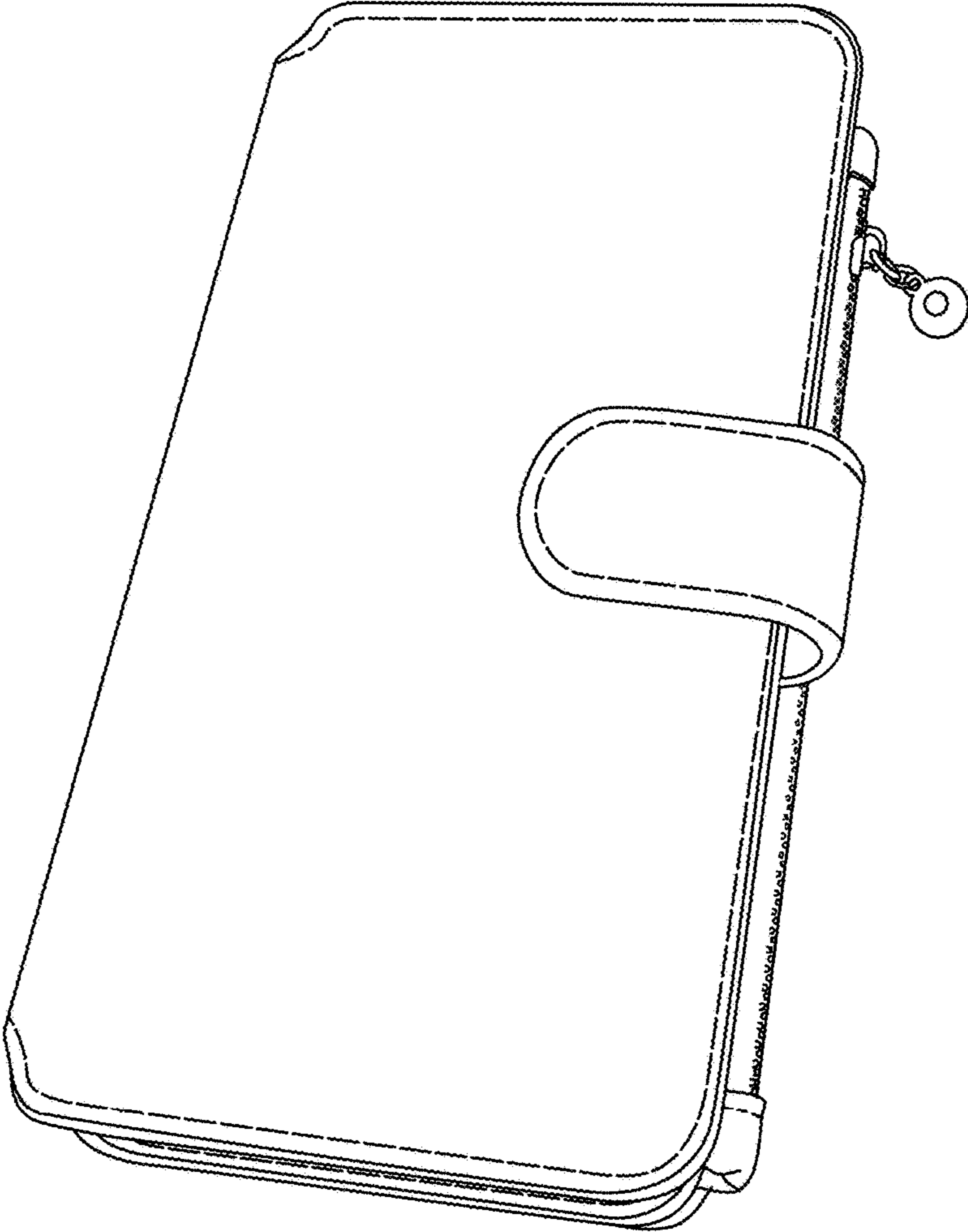


FIG. 7

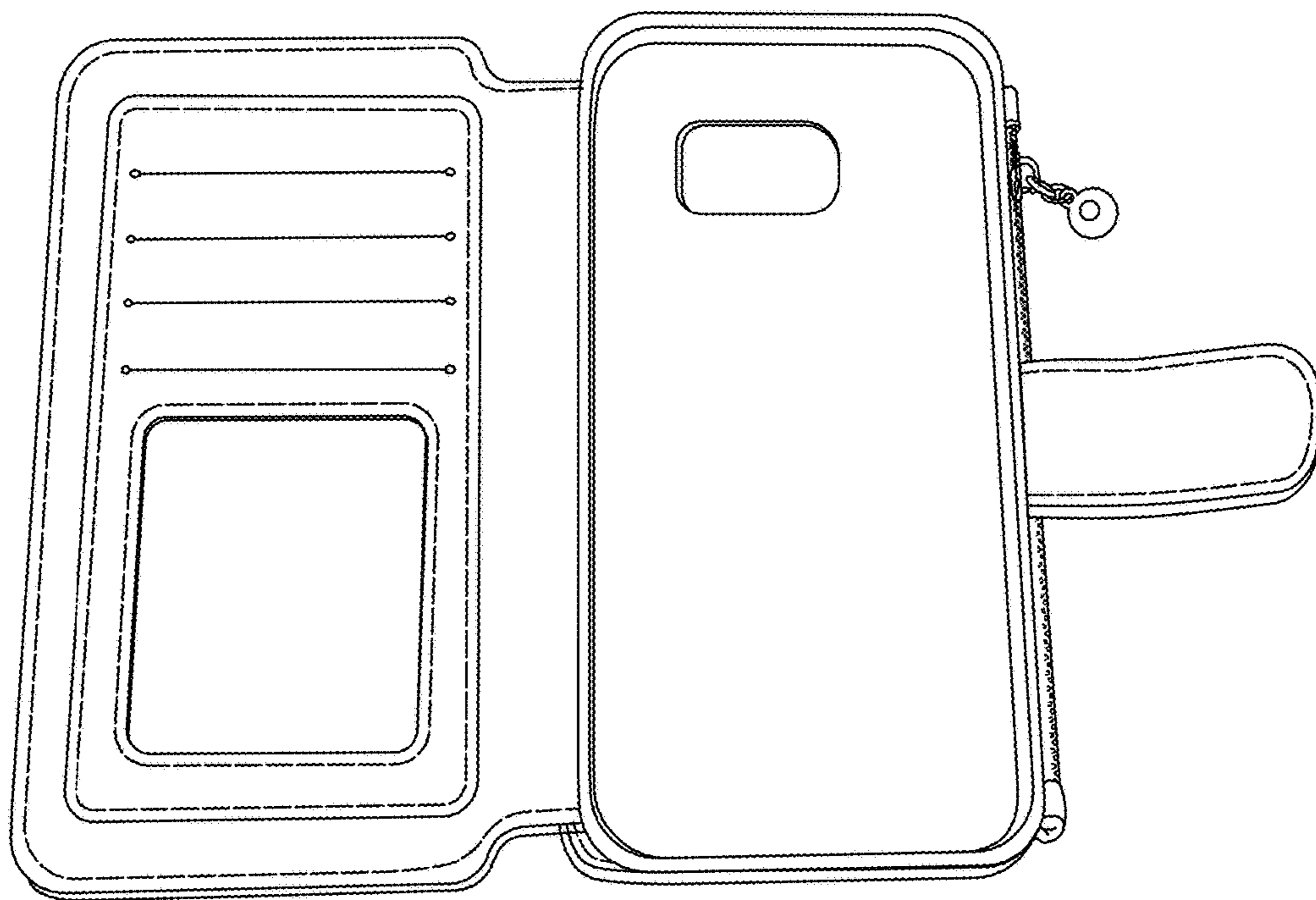


FIG. 8

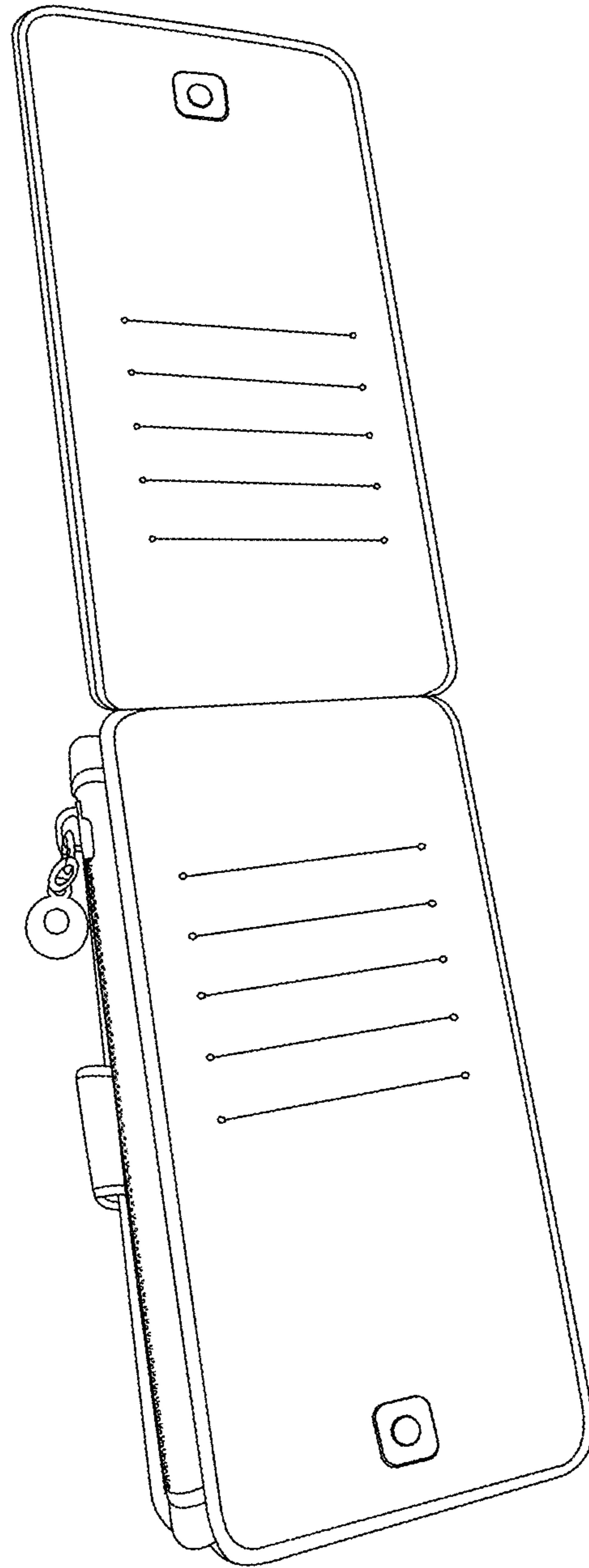


FIG. 9

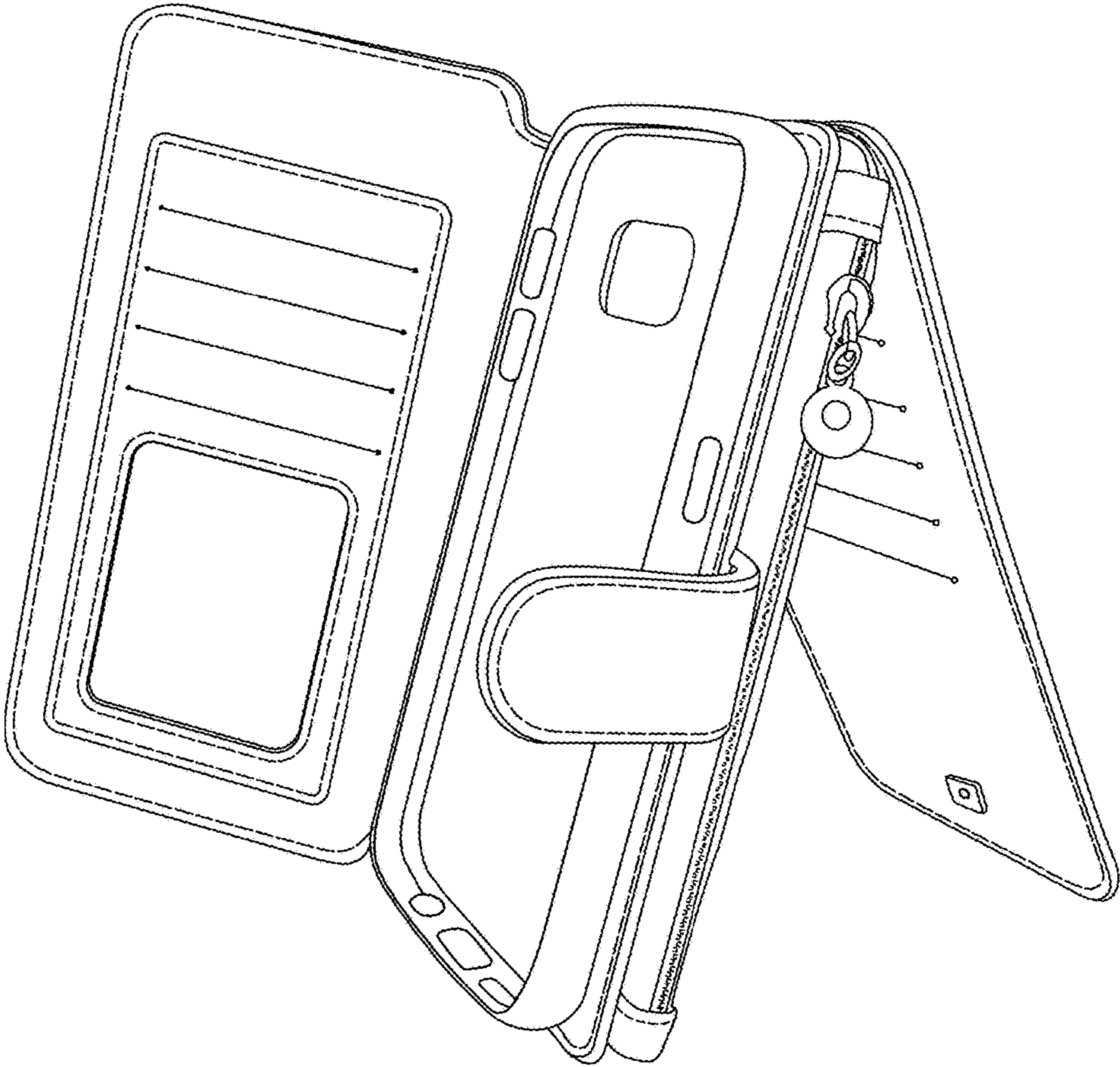


FIG. 10

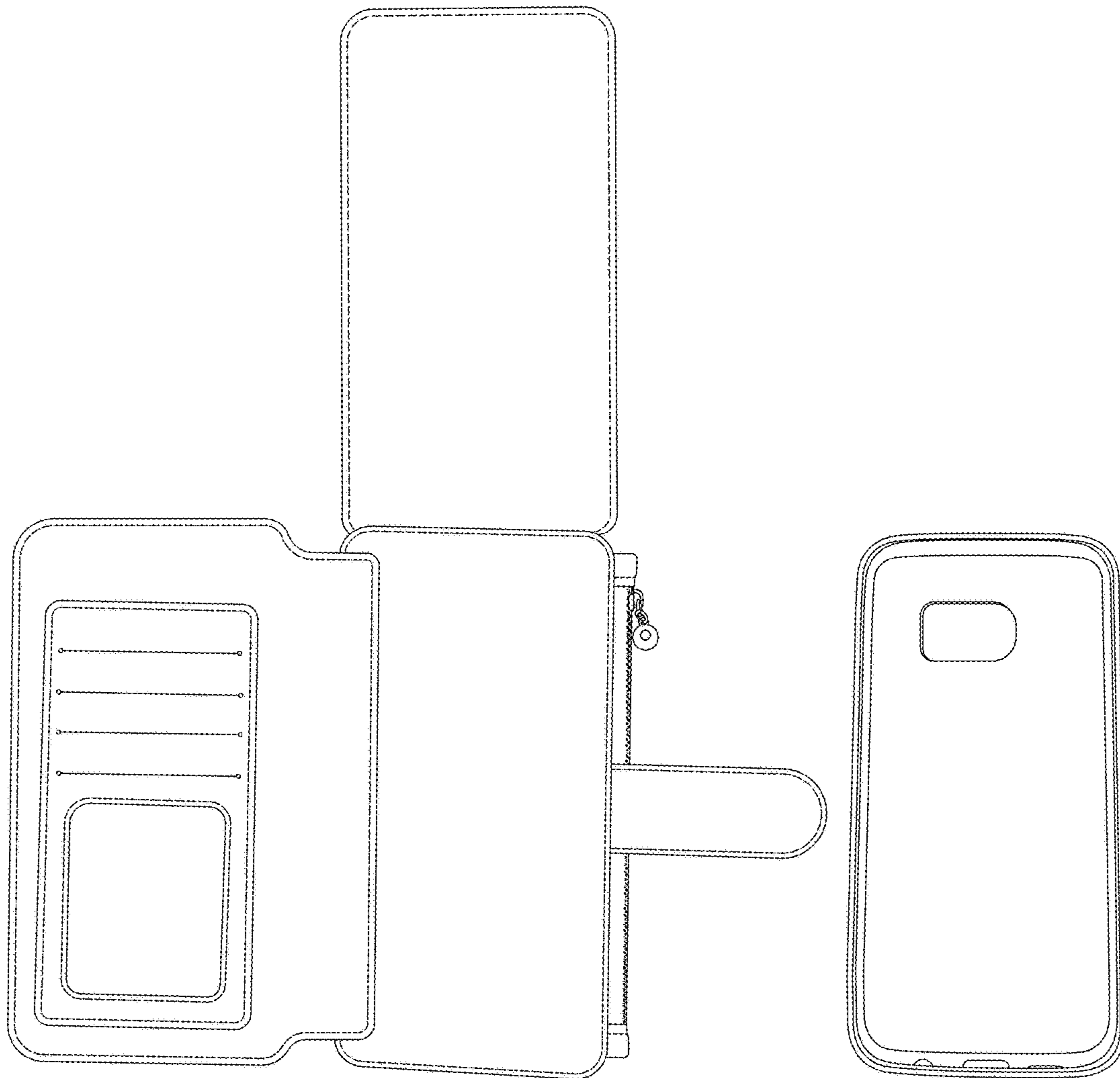


FIG. 11