



US00D804813S

(12) **United States Design Patent** (10) **Patent No.:** **US D804,813 S**  
**Nair** (45) **Date of Patent:** **\*\* Dec. 12, 2017**

(54) **HANDBAG**

(71) Applicant: **MOYNAT PARIS SAS**, Paris (FR)

(72) Inventor: **Ramesh Nair**, Paris (FR)

(73) Assignee: **MOYNAT PARIS SAS**, Paris (FR)

(\*\*) Term: **15 Years**

(21) Appl. No.: **29/575,645**

(22) Filed: **Aug. 26, 2016**

(51) **LOC (10) Cl.** ..... **03-01**

(52) **U.S. Cl.**

USPC ..... **D3/242**

(58) **Field of Classification Search**

USPC ..... D3/201, 205, 206, 226, 231-247, 258,  
D3/273, 299, 301, 303, 318, 901, 903,  
D3/272, 294; D12/409

CPC ..... A45C 13/02; A45C 13/04; A45C 13/06;  
A45C 13/08; A45C 13/26; A45C 3/04;  
A45C 3/06; A45C 7/0077; A45C 1/024;  
A45C 11/16

See application file for complete search history.

(56) **References Cited**

**U.S. PATENT DOCUMENTS**

D63,445 S *	12/1923	Antal	.....	D3/272
1,665,353 A *	4/1928	Greenberg	.....	A45C 13/26
				190/39
D408,145 S *	4/1999	Au	.....	D3/294
D501,720 S *	2/2005	Hussaini	.....	D3/273
D509,357 S *	9/2005	Perella	.....	D3/267
D515,809 S *	2/2006	Perella	.....	D3/232
D529,287 S *	10/2006	Perella	.....	D19/86
D549,447 S *	8/2007	Perella	.....	D3/206
D561,462 S *	2/2008	Perella	.....	D3/206
D694,519 S *	12/2013	Hannon	.....	D3/232
D758,070 S *	6/2016	Frohlich	.....	D3/232

**OTHER PUBLICATIONS**

Beauty Stat, Sephora Holiday 2013 Tools, posted on Nov. 25, 2013, [online], [site visited on Aug. 9, 2017]. Available from Internet, URL: <http://beautystat.com/site/makeup/sephora-holiday-2013-toolsaccessories-gift-guide-best-brush-sets-makeup-kits-bags-faux-lashes-hair-bands/>.\*

Purseblog, Louis Vuitton's Fall 2016 Bags introduced New Shapes and Prints, posted on Mar. 10, 2016, p. 1-3, [online], [site visited on Aug. 9, 2017]. Available from Internet, URL: <http://www.purseblog.com/louis-vuitton/louis-vuittons-fall-2016-bags-introduced-new-shapes-and-prints/>.\*

Garoluxury, Louis Vuitton Boite Flacons Beauty Trunk Train Case M21828, production date 1990-2000s, [online], [site visited on Aug. 9, 2017]. Available from Internet, URL: <https://www.garoluxury.com/products/louis-vuitton-boite-flacons-beauty-trunk-train-case-m21828-4>.\*

Pursuitist, Moynat Jewelry Trunk Designed for Chaumet Diamond Necklace, webarchive on Apr. 4, 2015, [online], [site visited on Aug. 9, 2017]. Available from Internet, URL: <https://web.archive.org/web/20150404041400/https://pursuitist.com/moynat-jewelry-trunk-designed-for-chaumet-diamond-necklace/>.\*

(Continued)

*Primary Examiner* — Vy N Koenig

*Assistant Examiner* — Samantha N Wood

(74) *Attorney, Agent, or Firm* — Avery N. Goldstein;  
Blue Filament Law PLLC

(57) **CLAIM**

The ornamental design for a handbag, as shown and described.

**DESCRIPTION**

FIG. 1 is a perspective view of a handbag showing my new design;

FIG. 2 is a front view of view thereof;

FIG. 3 is a back view thereof;

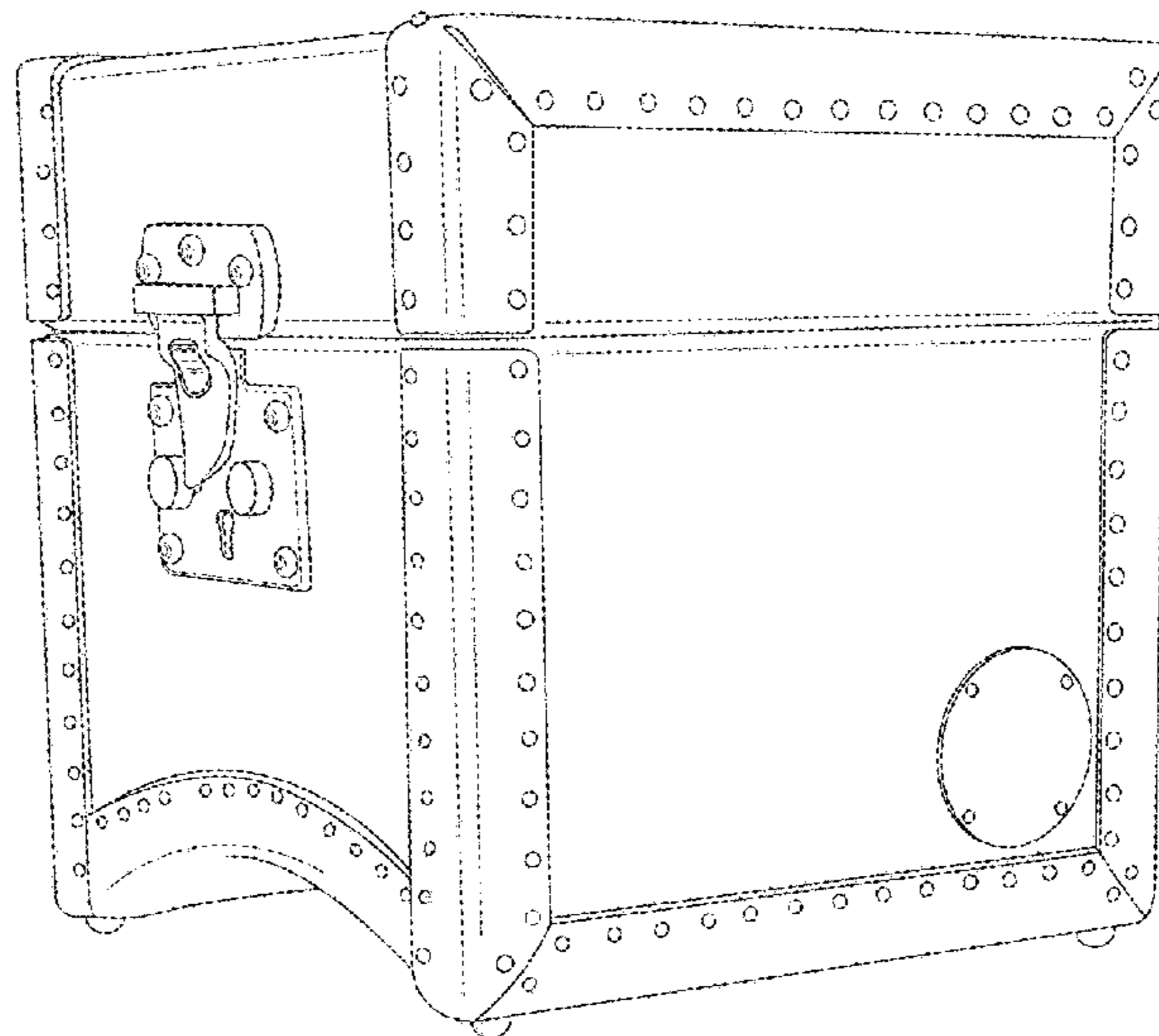
FIG. 4 is a right side view thereof;

FIG. 5 is a left side view thereof;

FIG. 6 is a top view thereof; and,

FIG. 7 is a bottom view thereof.

**1 Claim, 4 Drawing Sheets**



(56)

**References Cited**

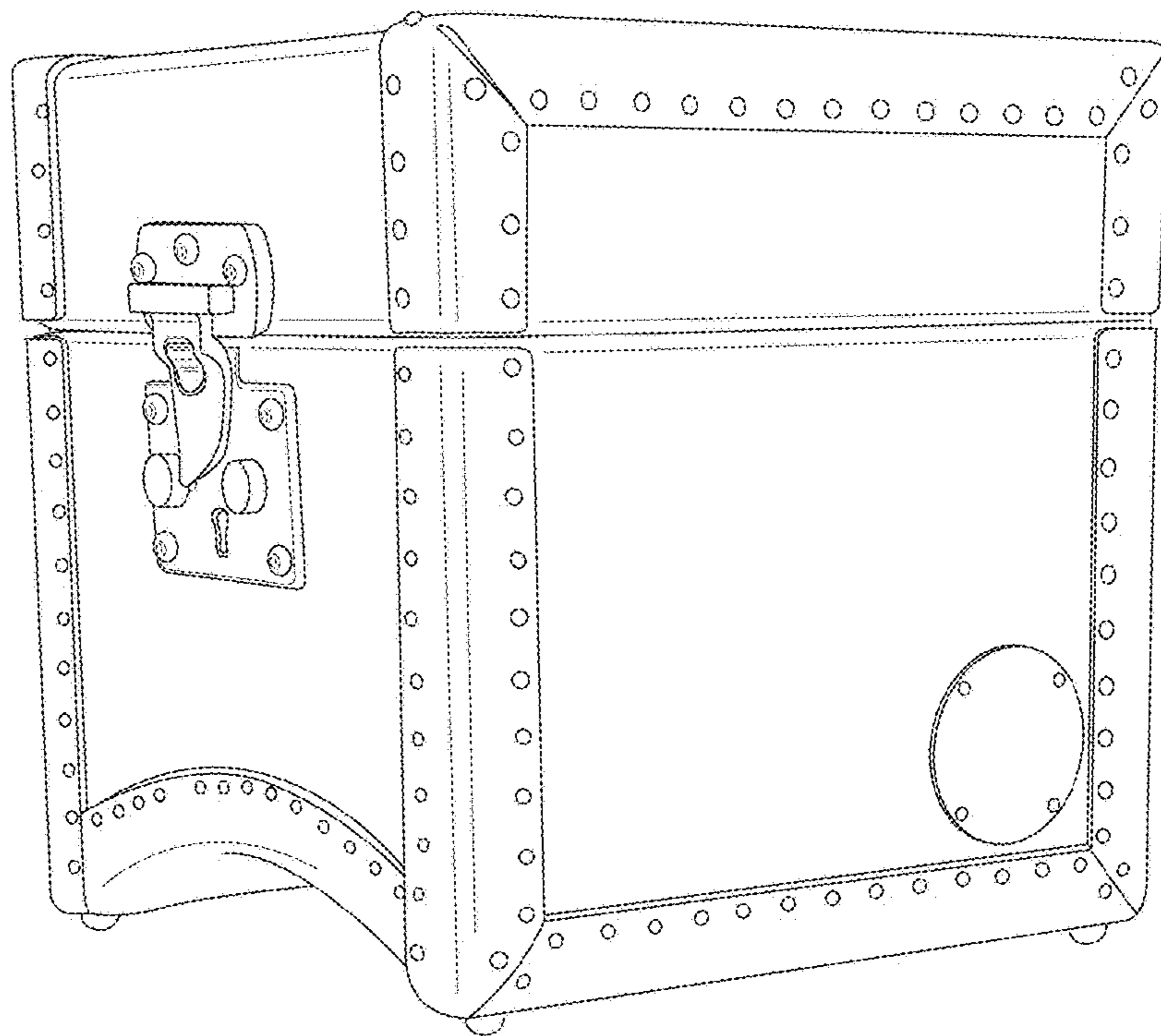
OTHER PUBLICATIONS

Pursuitist, Fire Reasons Why Divas should travel with Gucci Luggage, webarchive on Jul. 17, 2014, [online], [site visited on Aug. 9, 2017]. Available from Internet, URL: <https://web.archive.org/web/20140717032311/http://pursuitist.com/five-reasons-why-divas-should-travel-with-gucci-luggage/>.\*

Purseblog, A Louis Vuitton Jewelry box? Don't mind if I do, posted on Apr. 6, 2012, [online], [site visited on Aug. 9, 2017]. Available from Internet, URL: <http://www.purseblog.com/accessories/louis-vuitton-coffret-tresor-24/>.\*

\* cited by examiner

FIG. 1



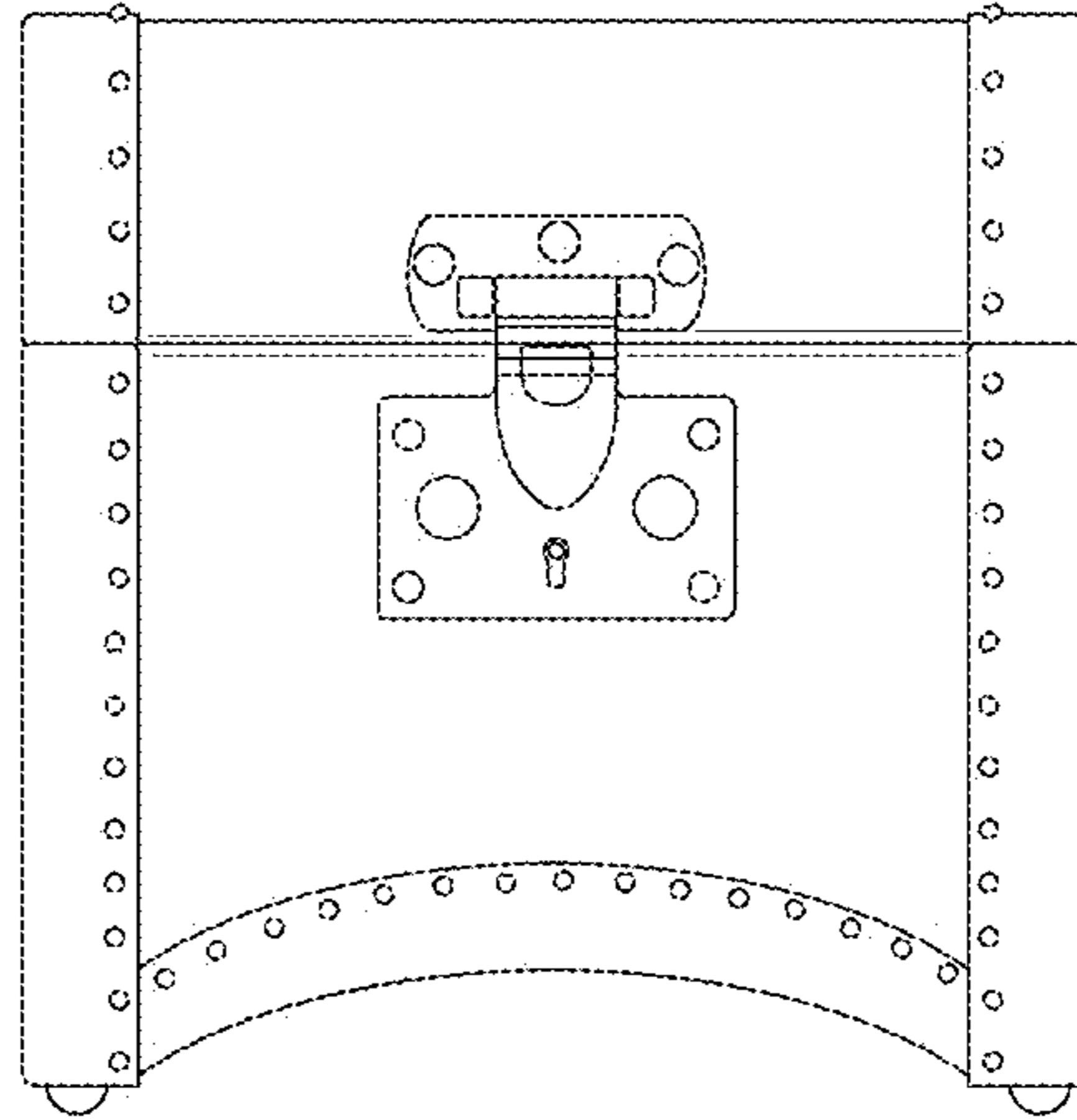


FIG. 2

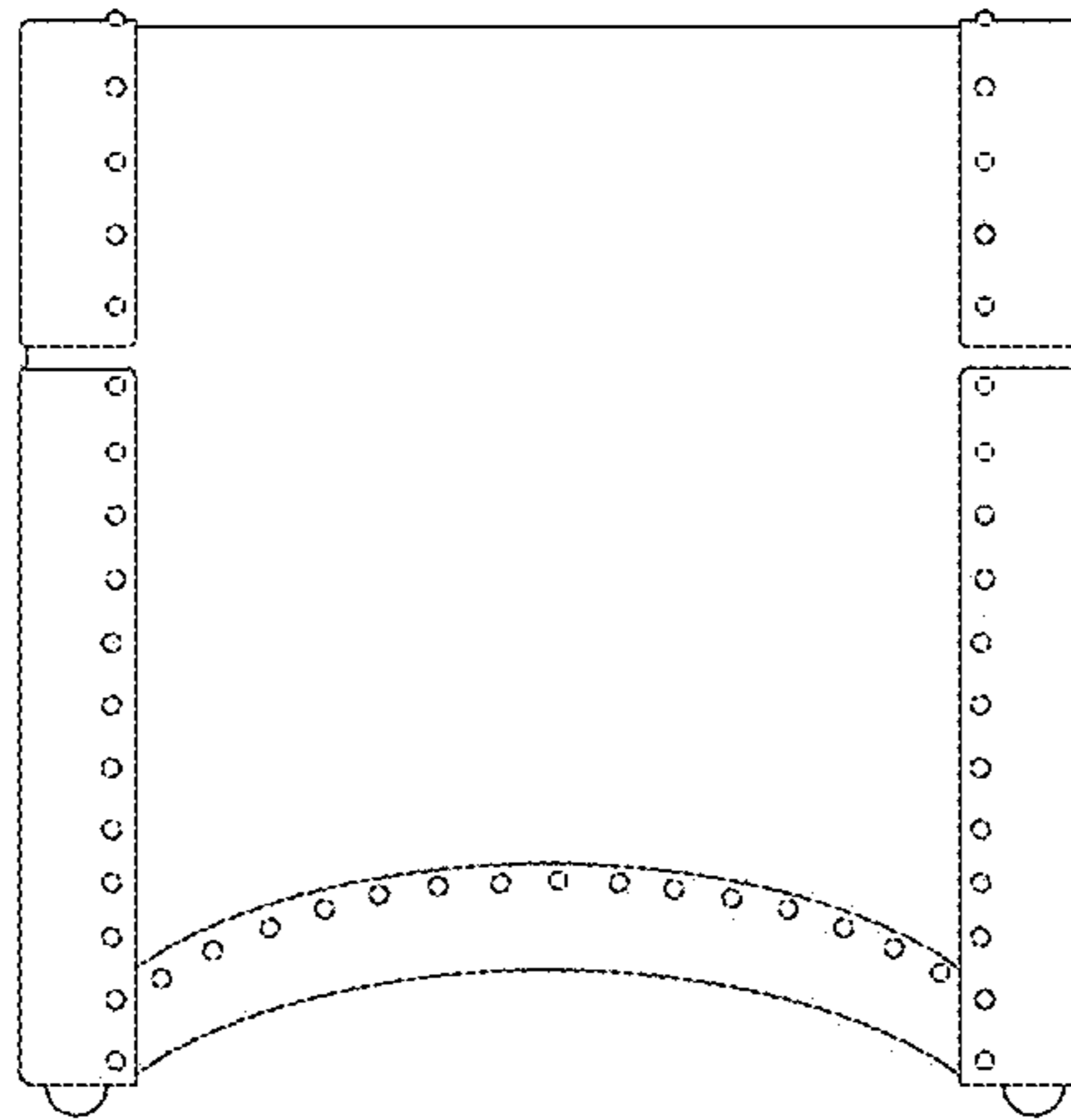


FIG. 3

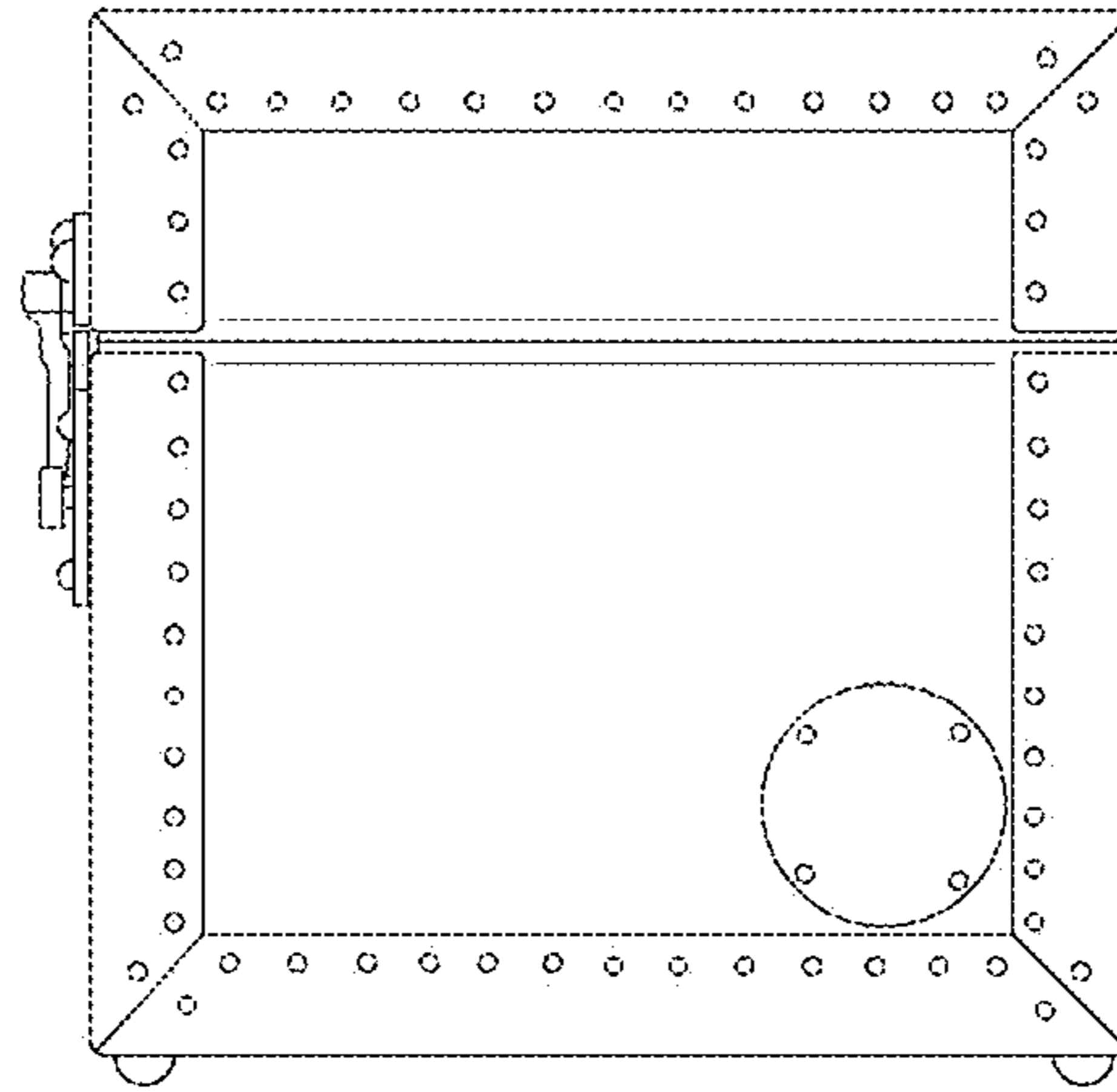


FIG. 4

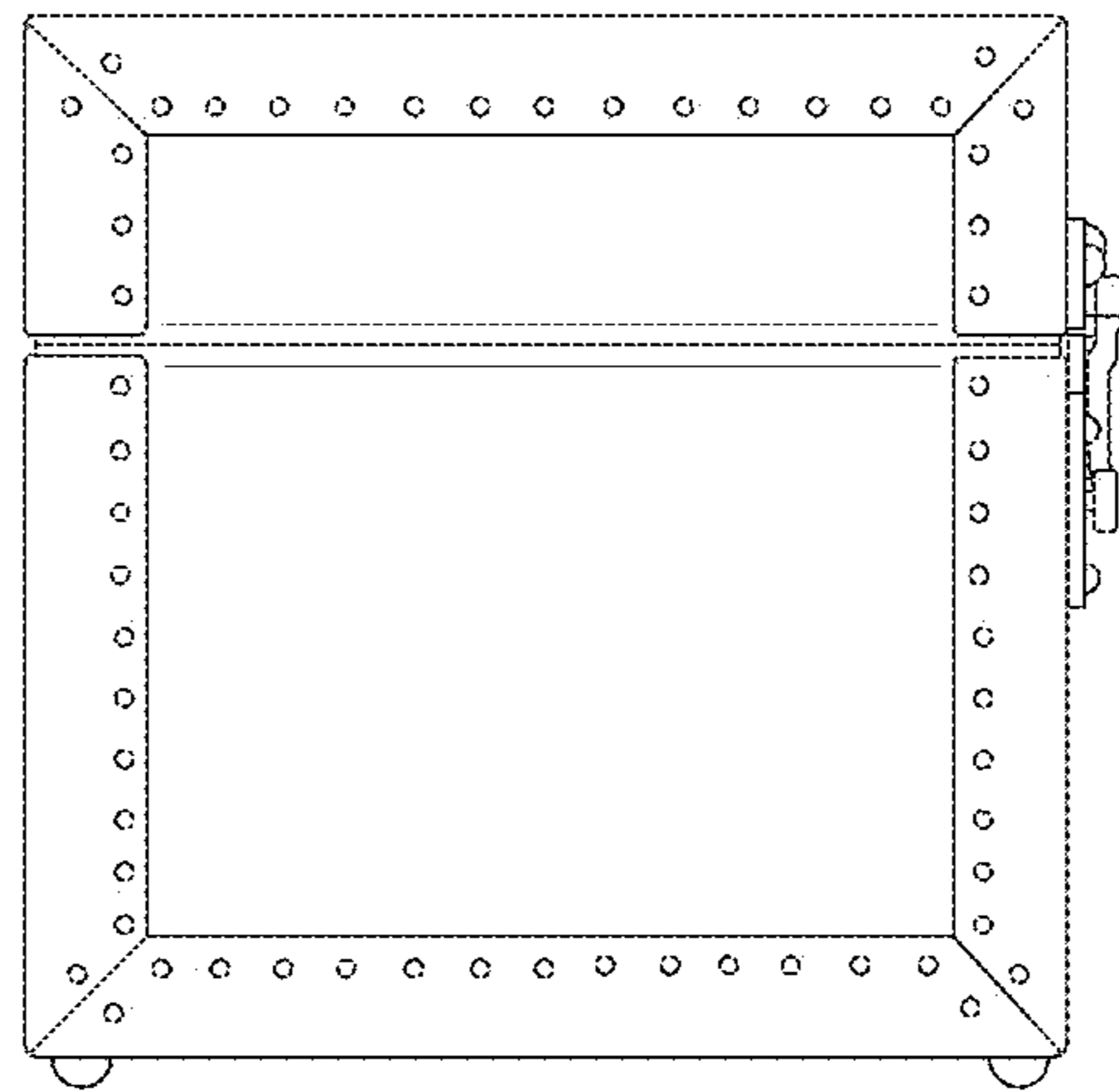


FIG. 5

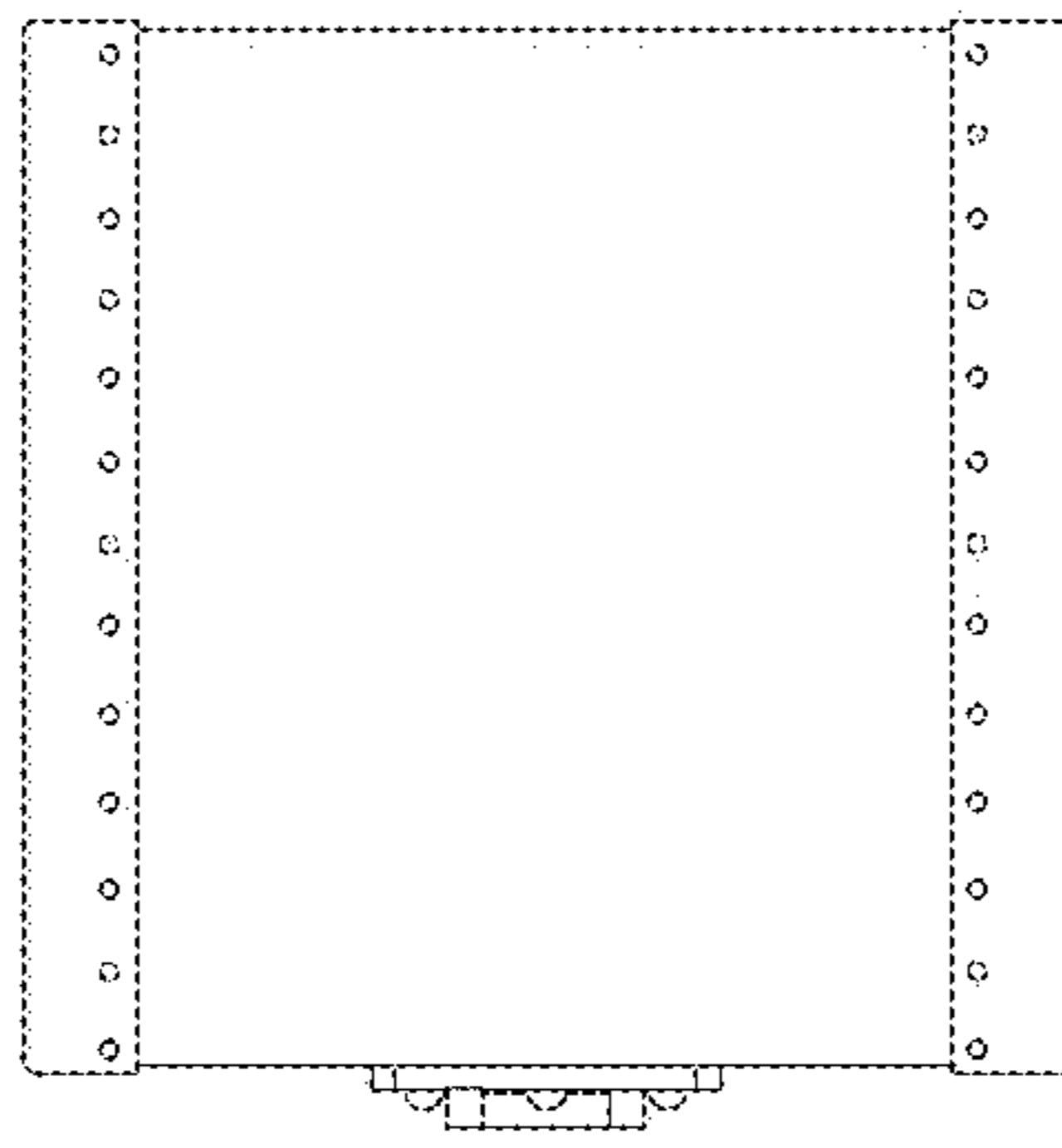


FIG. 6

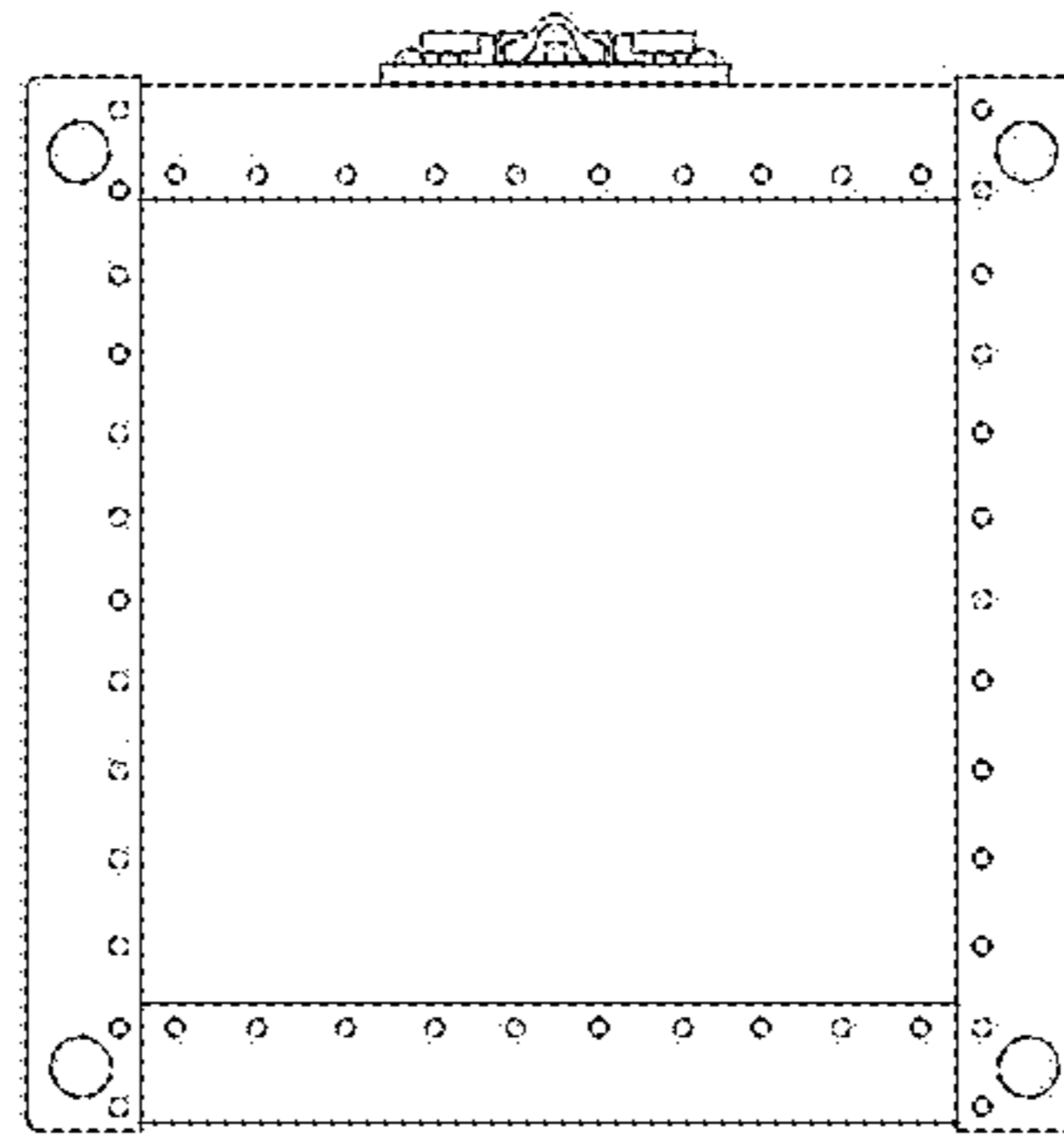


FIG. 7