



US00D804812S

(12) **United States Design Patent**
Louboutin

(10) **Patent No.:** **US D804,812 S**

(45) **Date of Patent:** **** Dec. 12, 2017**

(54) **CLASP**

(71) Applicant: **Christian Louboutin**, Paris (FR)

(72) Inventor: **Christian Louboutin**, Paris (FR)

(**) Term: **15 Years**

(21) Appl. No.: **29/551,723**

(22) Filed: **Jan. 15, 2016**

(30) **Foreign Application Priority Data**

Sep. 3, 2015 (EM) 00276502

(51) **LOC (10) Cl.** **03-01**

(52) **U.S. Cl.**
USPC **D3/232**

(58) **Field of Classification Search**
USPC D3/232, 233, 238, 240-243, 245-246
CPC A45C 1/024; A45C 3/06
See application file for complete search history.

(56) **References Cited**

U.S. PATENT DOCUMENTS

D128,585 S * 7/1941 Leser D3/231
D528,303 S * 9/2006 Hillerich D3/232

D596,849 S * 7/2009 Billauer D3/232
D597,303 S * 8/2009 Billauer D3/232
D606,742 S * 12/2009 Gonzalez D3/232

* cited by examiner

Primary Examiner — Holly H Baynham

(74) *Attorney, Agent, or Firm* — Fross, Zelnick, Lehrman & Zissu, P.C.; Charles T. J. Weigell, Esq.

(57) **CLAIM**

The ornamental design for a clasp, as shown and described.

DESCRIPTION

FIG. 1 is a front perspective view of a handbag showing my new design;

FIG. 2 is a front view of the handbag shown in FIG. 1;

FIG. 3 is a rear view of the handbag shown in FIG. 1;

FIG. 4 is a side view of the handbag shown in FIG. 1;

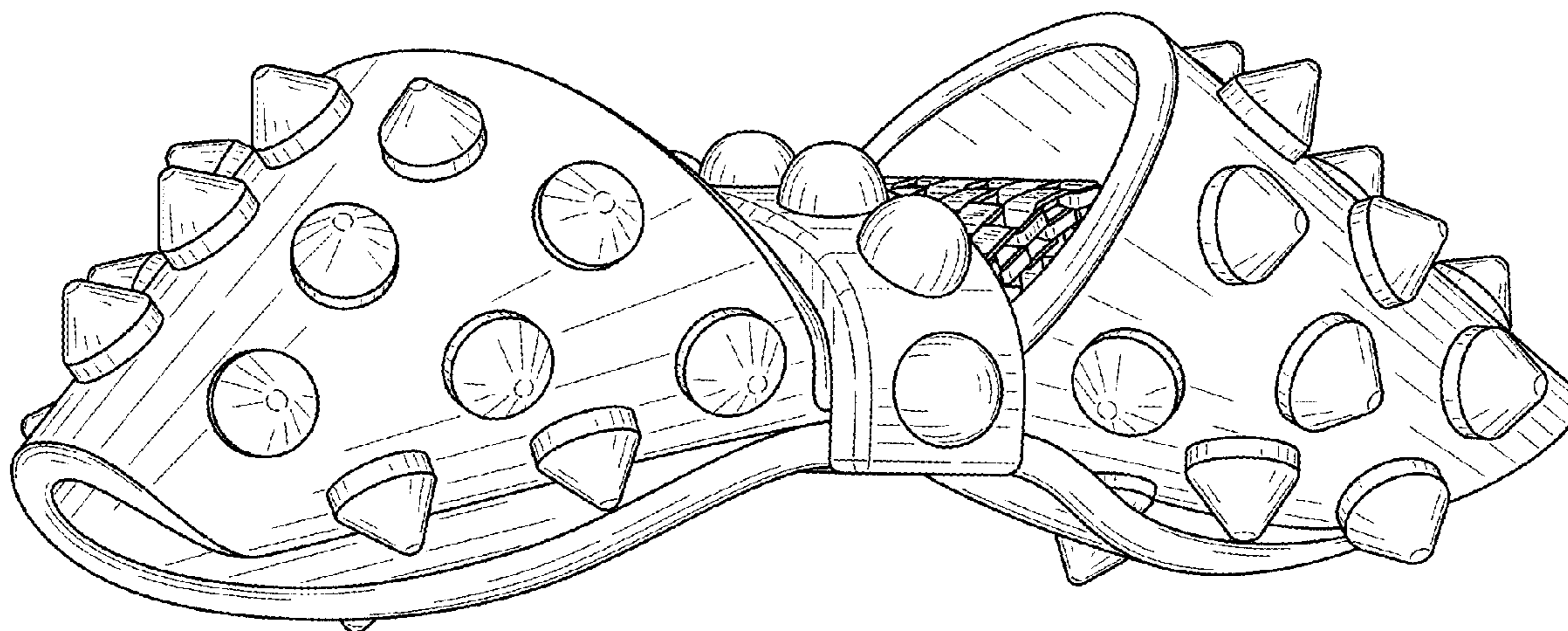
FIG. 5 is the other side view of the handbag shown in FIG. 1;

FIG. 6 is a top view of the handbag shown in FIG. 1;

FIG. 7 is a bottom view of the handbag shown in FIG. 1; and,

FIG. 8 is a side perspective view of the handbag shown in FIG. 1.

1 Claim, 5 Drawing Sheets



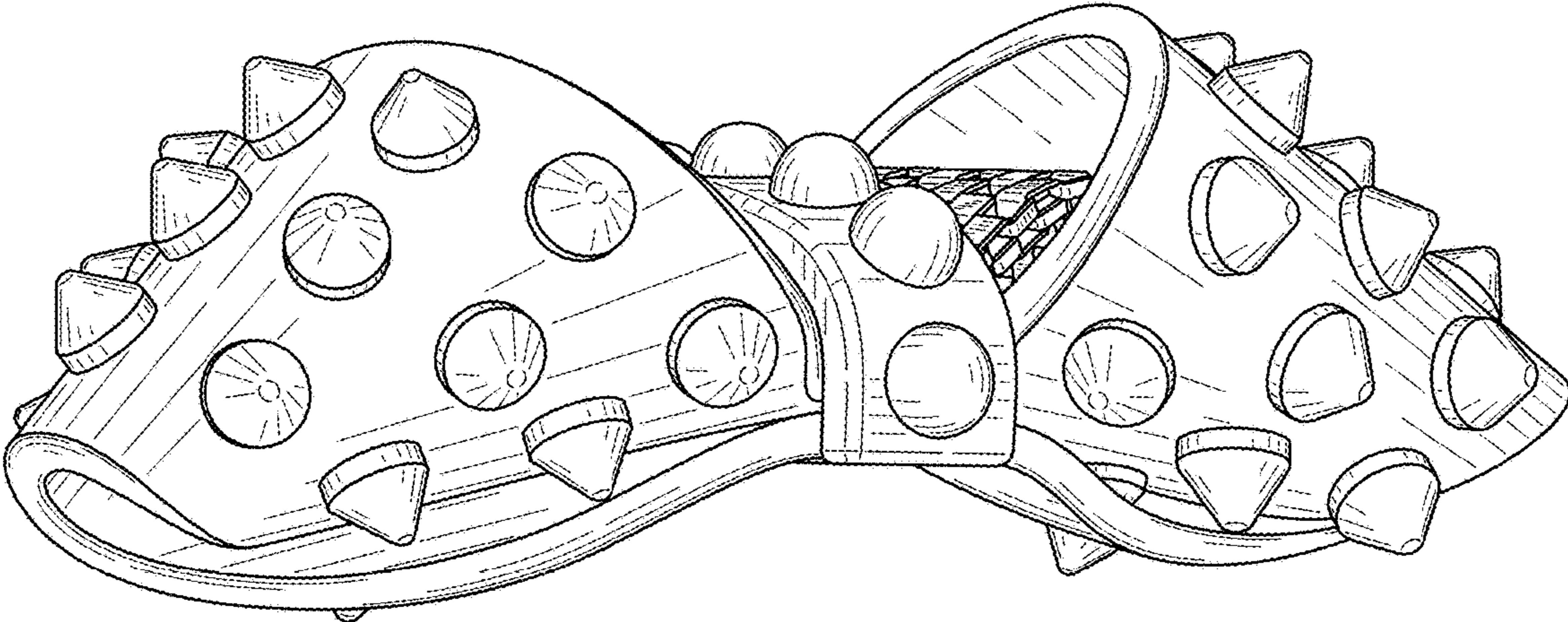


FIG. 1

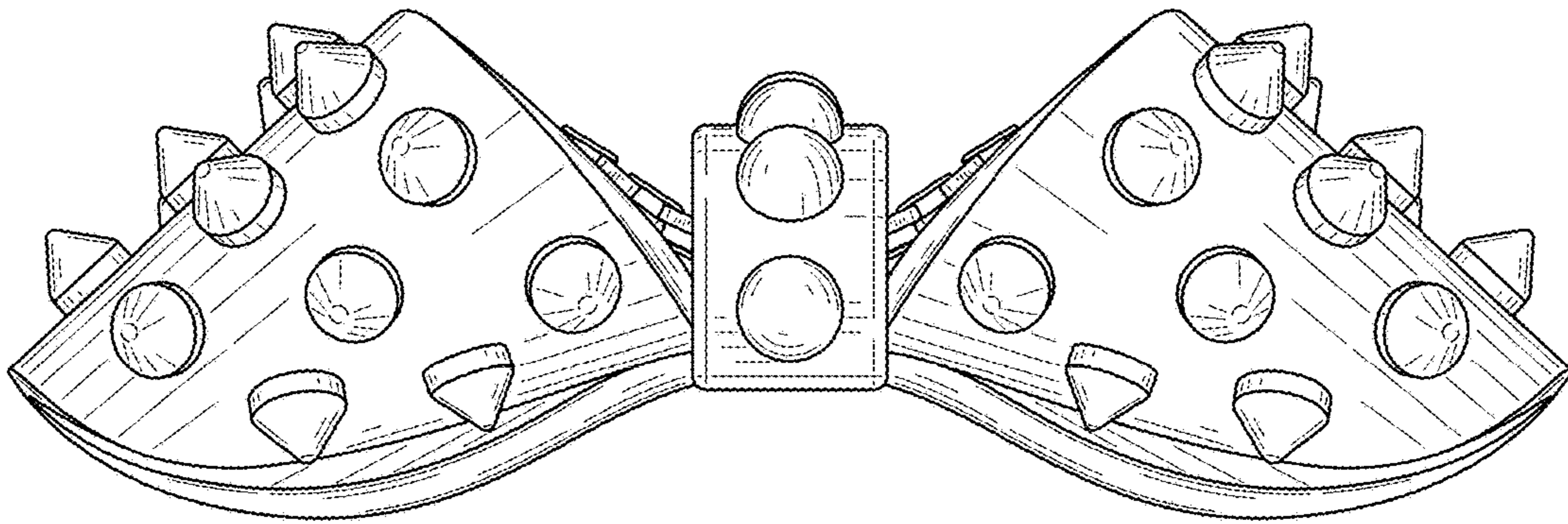


FIG. 2

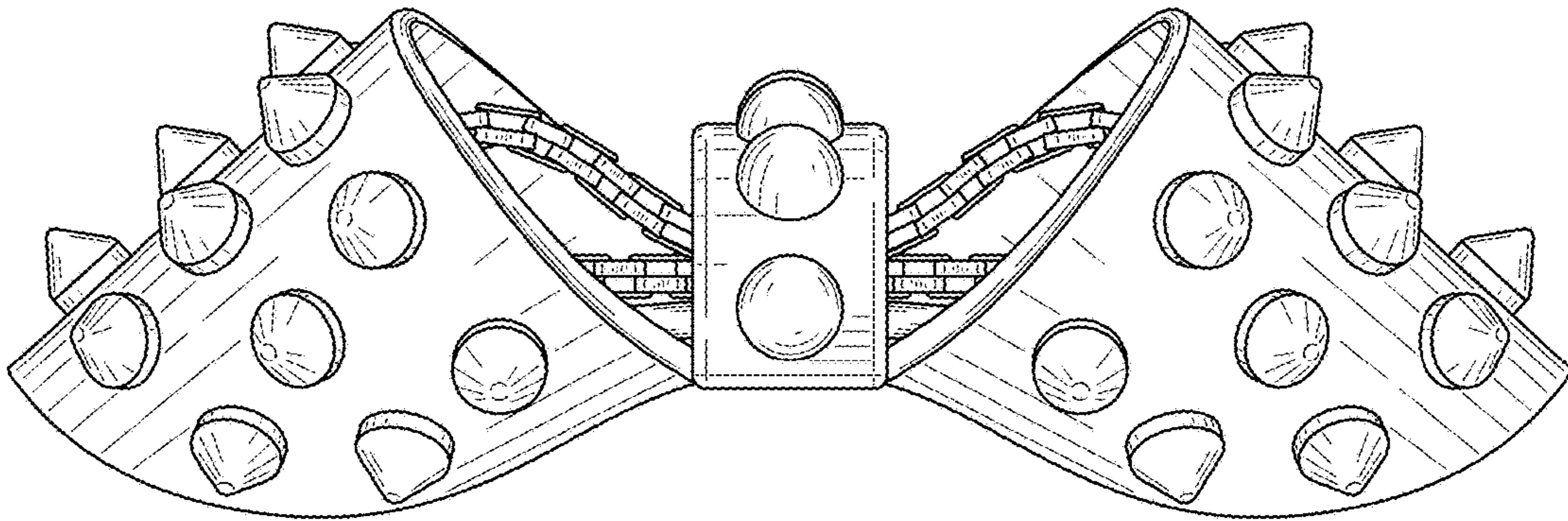


FIG. 3

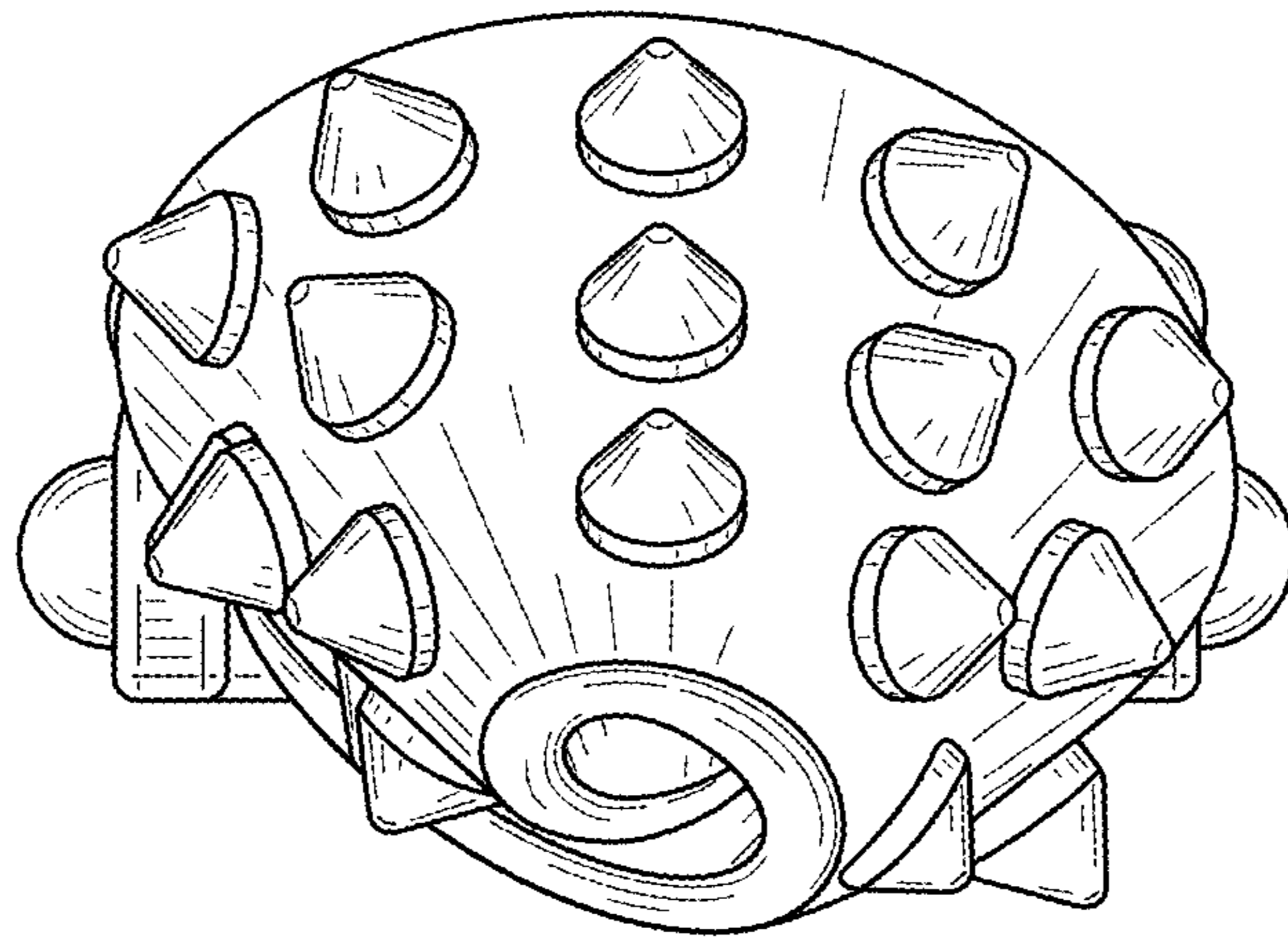


FIG. 4

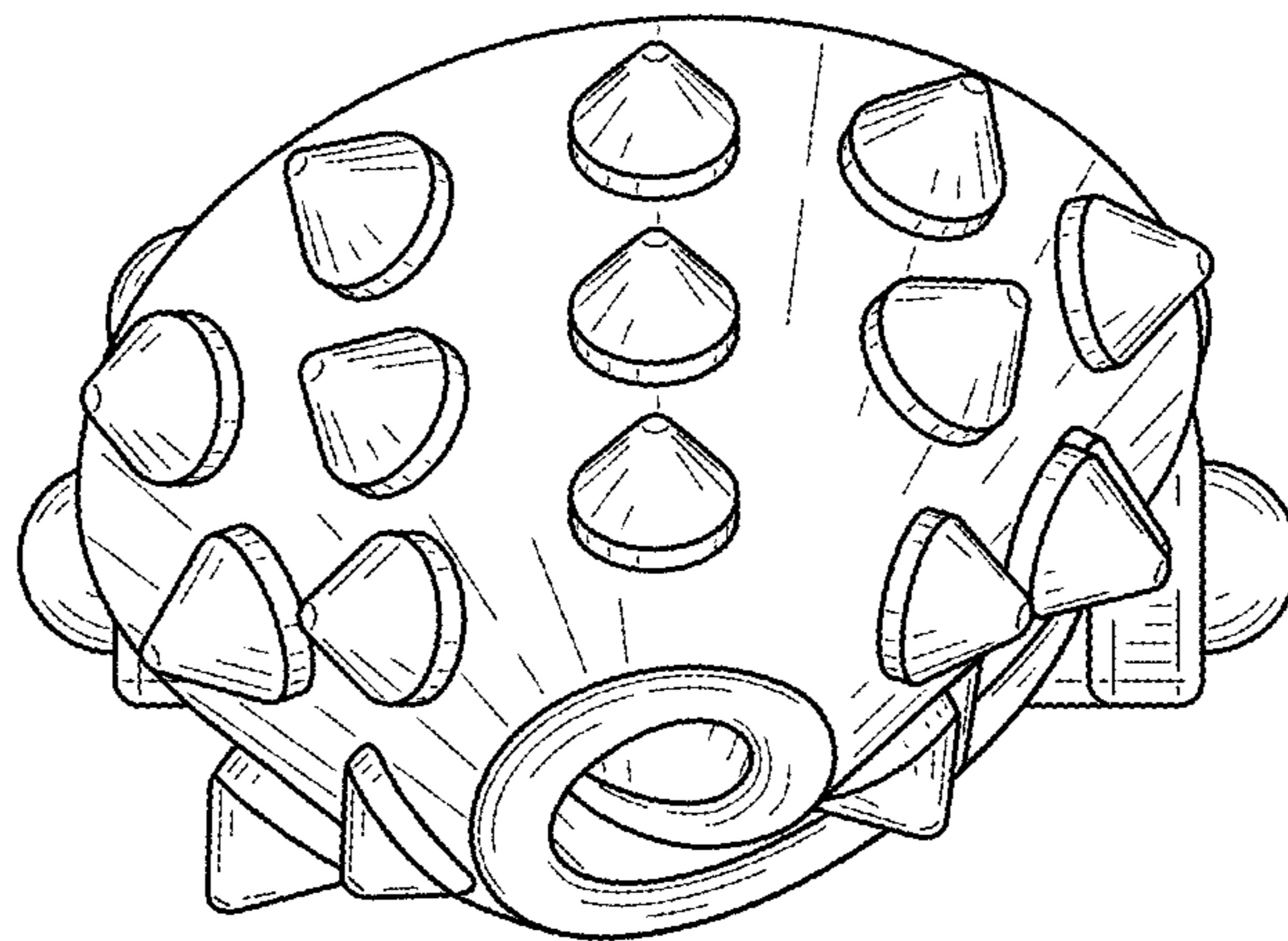


FIG. 5

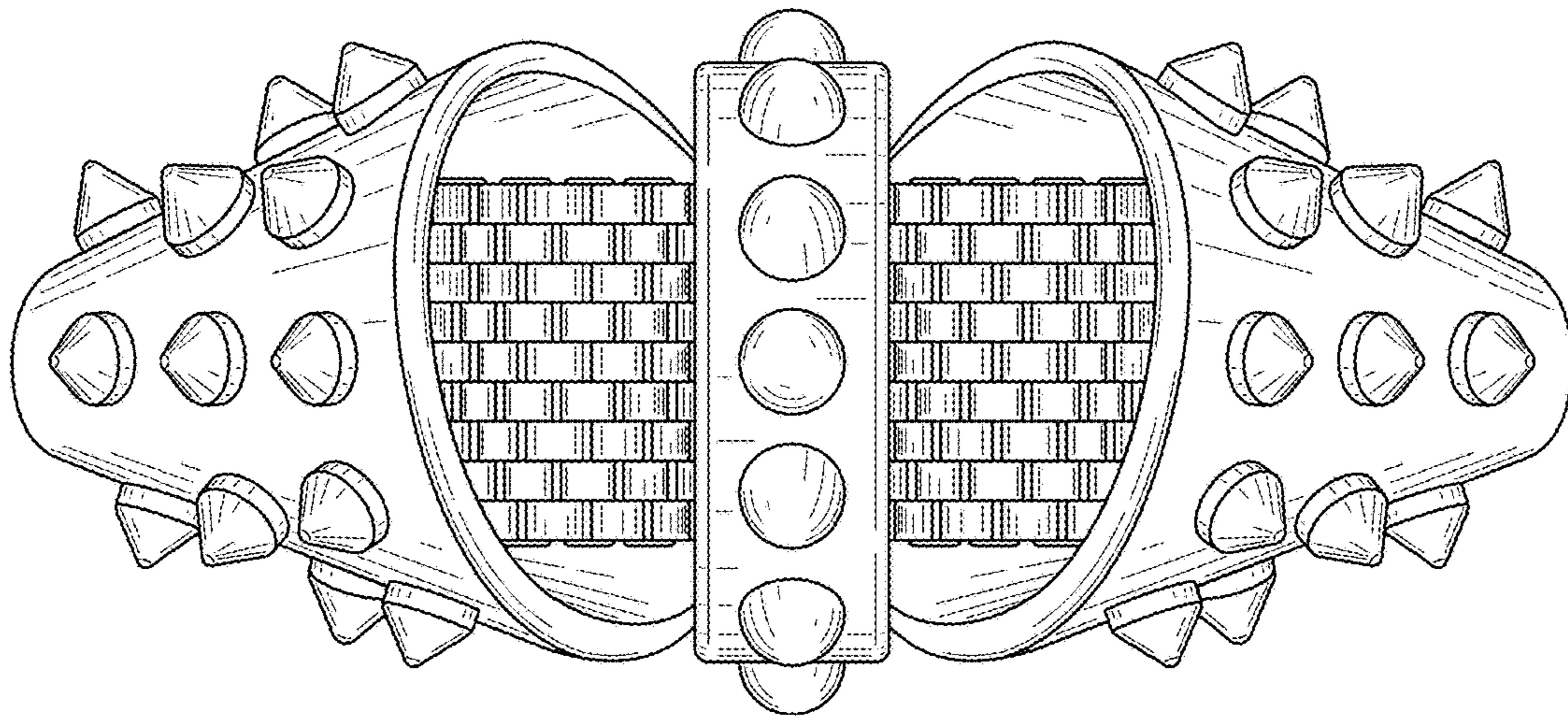


FIG. 6

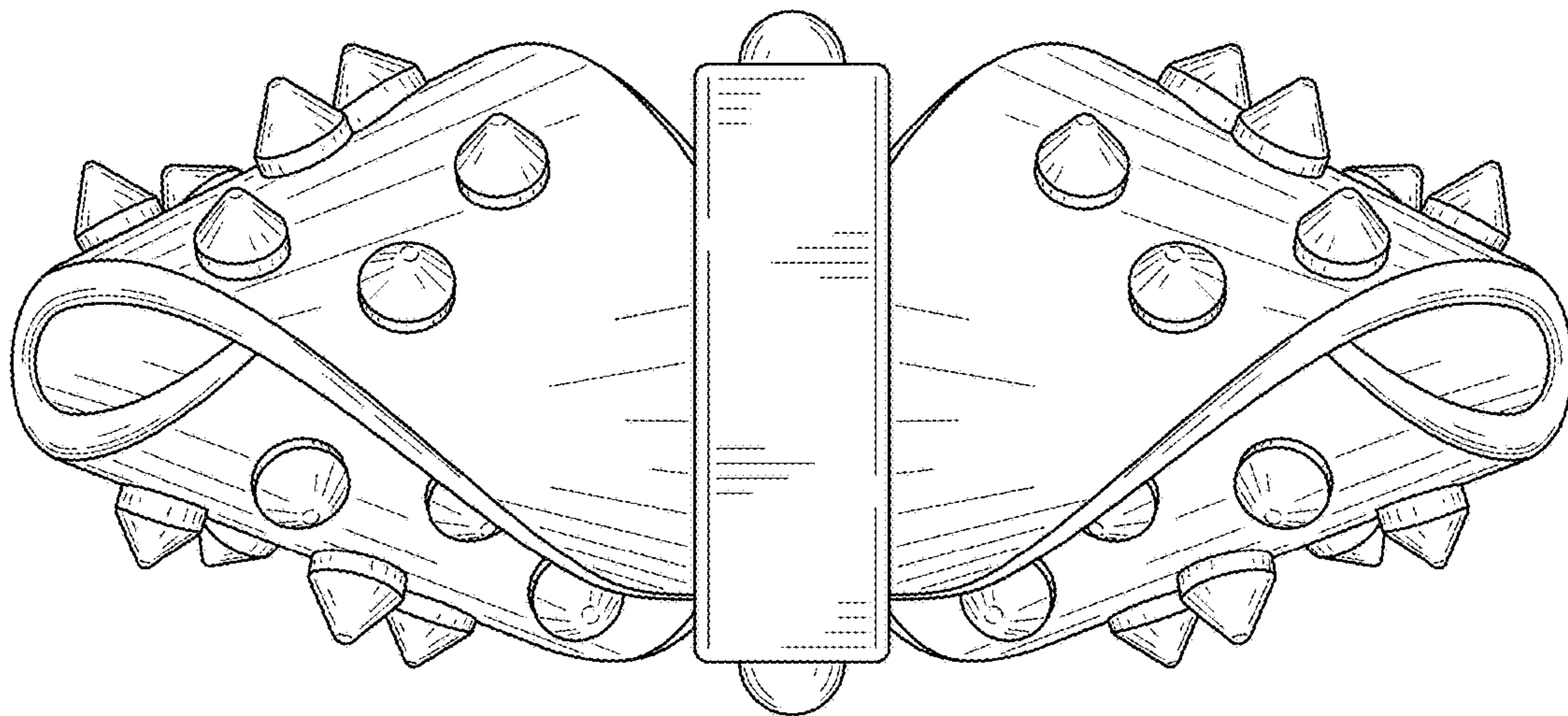


FIG. 7

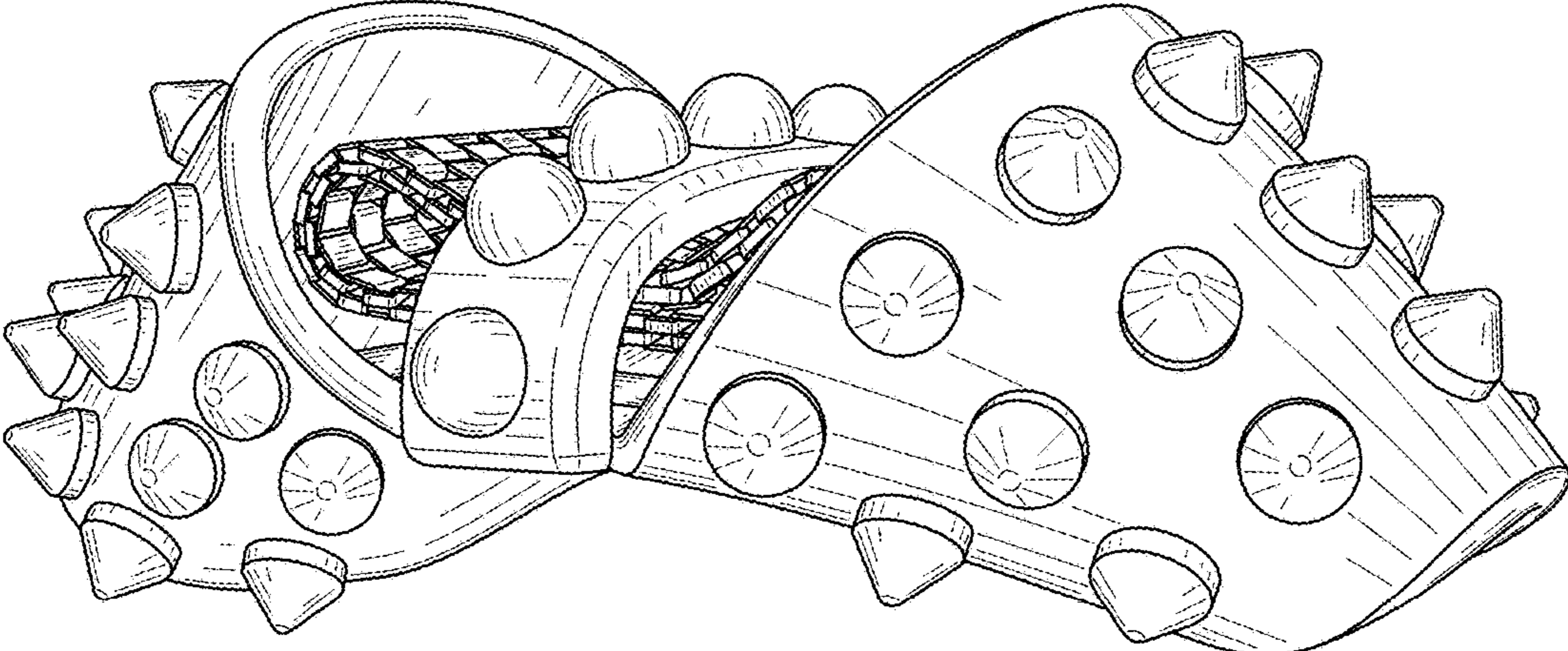


FIG. 8