



US00D804811S

(12) **United States Design Patent** (10) **Patent No.:** **US D804,811 S**
Davis (45) **Date of Patent:** **** *Dec. 12, 2017**

(54) **PANTS POCKET MAGNETIC RETAINER FOR AMMUNITION MAGAZINES**

(71) Applicant: **Graig Davis**, Barberton, OH (US)

(72) Inventor: **Graig Davis**, Barberton, OH (US)

(*) Notice: This patent is subject to a terminal disclaimer.

(**) Term: **15 Years**

(21) Appl. No.: **29/620,284**

(22) Filed: **Sep. 15, 2016**

(51) **LOC (10) Cl.** **03-01**

(52) **U.S. Cl.**
USPC **D3/222**

(58) **Field of Classification Search**
USPC D3/222-223; 224/191-193, 197-198, 224/238, 240, 243, 911-912, 914, 901.4, 224/673
CPC A45F 5/021; F41C 33/0236; F41C 33/041; F41C 33/048; F41C 33/04
See application file for complete search history.

(56) **References Cited**

U.S. PATENT DOCUMENTS

2,910,804 A	11/1959	White	F41C 33/0263 2/300
4,120,109 A	10/1978	Musgrave	F41A 9/64 42/90
4,580,363 A	4/1986	Rowe, Jr.	42/18
4,588,116 A *	5/1986	Litman	A45F 5/02 224/672
D284,807 S *	7/1986	Knight, Jr.	D3/218
4,597,213 A	7/1986	Musgrave	42/90
4,598,027 A *	7/1986	Johnson	A45F 5/02 156/212
D293,857 S *	1/1988	Stout	224/250
D338,748 S *	8/1993	Doerksen	D3/228

(Continued)

OTHER PUBLICATIONS

Ghost 360 Magazine Pouch, GhostHolsterDirect.com, [online], [site visited May 26, 2017]. <URL: <https://www.ghostholsterdirect.com/shop/ghost-360-magazine-pouch/>>.*

(Continued)

Primary Examiner — T. Chase Nelson

Assistant Examiner — Jonathan J. Han

(74) *Attorney, Agent, or Firm* — David A. Burge

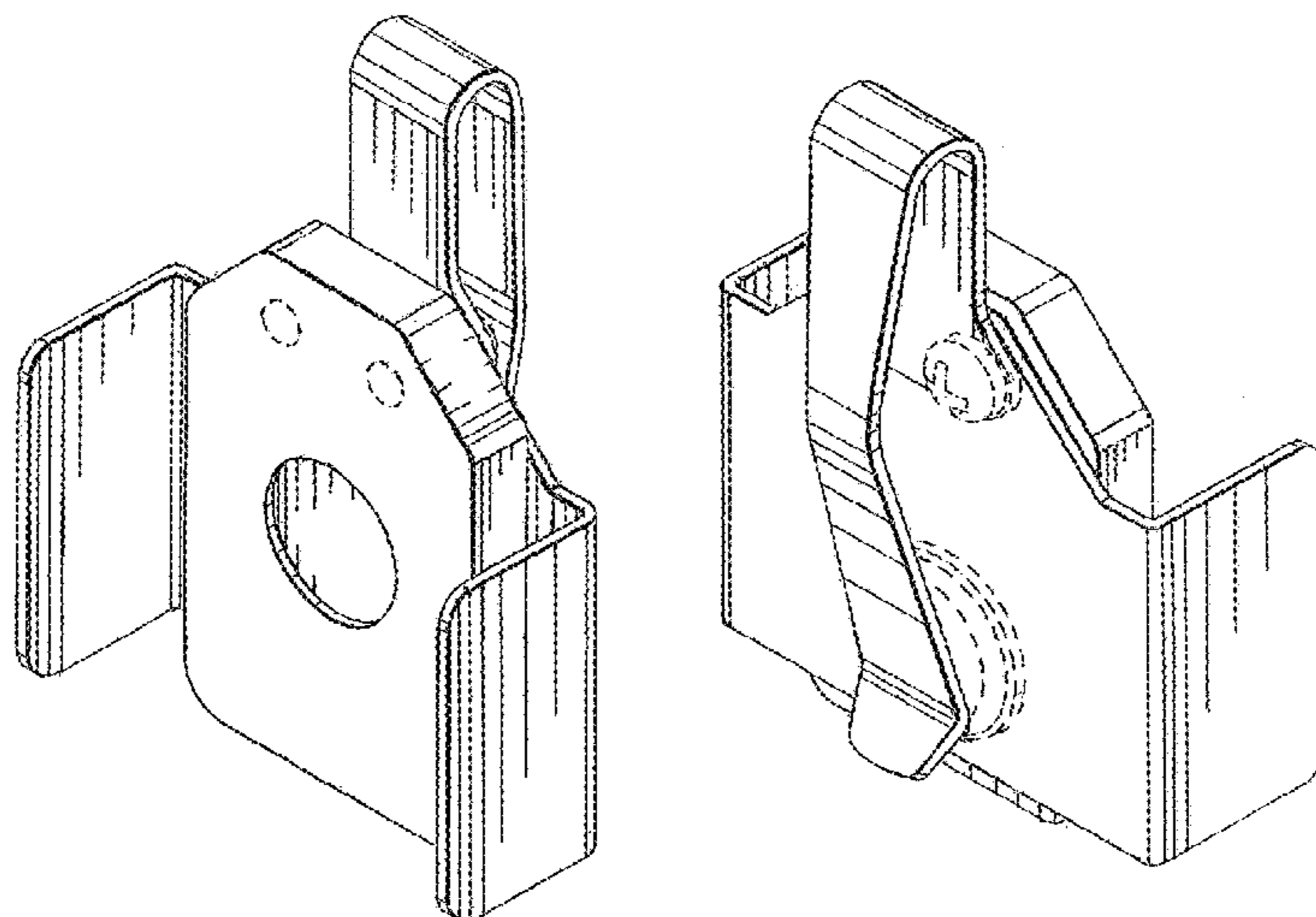
(57) **CLAIM**

I claim the ornamental design for a pants pocket magnetic retainer for ammunition magazines, as shown and described.

DESCRIPTION

FIG. 1 is a perspective view showing mainly top, front and right side portions of my new design;
FIG. 2 is a perspective view showing mainly top, rear and left side portions of my new design;
FIG. 3 is a top view thereof;
FIG. 4 is a left side view thereof, it being understood that a right side view is a mirror image thereof;
FIG. 5 is a bottom view thereof;
FIG. 6 is a cross-sectional view thereof as seen from a plane indicated by a line 6-6 in FIG. 3, that is provided for informational purposes so there will be no question as to how components shown in FIG. 7 are assembled to form the article of manufacture that embodies the claimed design; and,
FIG. 7 is an exploded view provided for informational purposes so there will be no misunderstanding as to the configuration of components that are assembled to form the article of manufacture that embodies the claimed design.
Broken lines that appear in the drawings depict components and/or component features that form no part of the claimed design, and are provided for illustrative purposes only.

1 Claim, 3 Drawing Sheets



(56)

References Cited

U.S. PATENT DOCUMENTS

D339,690	S *	9/1993	Takahashi	D3/218	9,072,361	B1	7/2015	Aravena	2/300
5,261,583	A *	11/1993	Long	A45F 5/02	9,170,064	B2	10/2015	Rogers	224/230
				206/305	9,182,205	B2	11/2015	Stiz	224/255
D345,053	S *	3/1994	Gomez	D3/218	D749,843	S	2/2016	Faifer	D3/262
D345,647	S *	4/1994	Luxon	D3/218	D765,064	S *	8/2016	Wengreen	D14/238.1
D346,275	S *	4/1994	Hayasaka	D3/218	2007/0278269	A1 *	12/2007	Rogers	F41A 9/65
D361,462	S *	8/1995	Newham	D6/567					224/239
D365,714	S *	1/1996	Masello	D6/526	2010/0176173	A1	7/2010	Felts	A45F 5/02
D369,465	S *	5/1996	Scheid	D3/218					224/665
D382,396	S *	8/1997	Campman	D3/215	2010/0176174	A1	7/2010	Felts	224/666
D413,435	S *	9/1999	Chapman	224/908	2012/0255979	A1	10/2012	Sitz	F41C 33/0245
6,000,592	A *	12/1999	Clanin	B62J 11/00					224/243
				224/413	2013/0248566	A1	9/2013	Solomon	A45F 5/02
D419,290	S *	1/2000	Treyer	D14/253					224/191
D445,249	S *	7/2001	Russell	D3/228	2013/0254976	A1	10/2013	Aravena	2/300
6,264,079	B1	7/2001	Skaggs	F41C 33/0236	2013/0270311	A1	10/2013	Sitz	F41A 23/18
				224/193					224/255
6,311,881	B1 *	11/2001	Kamiya	A45F 5/02	2014/0103083	A1	4/2014	Sitz	F42B 39/08
				224/195					224/255
D485,060	S *	1/2004	DeCotis	D3/215	2014/0109455	A1	4/2014	Chiang	F42B 39/02
6,763,684	B2	7/2004	Gallagher	A45F 5/02					42/90
				224/193	2014/0252053	A1 *	9/2014	Rogers	F41A 35/00
6,763,984	B2	7/2004	Gallagher	224/193					224/230
D508,313	S *	8/2005	Cullen	D3/203.7	2015/0260479	A1	9/2015	Aravena	2/300
D508,605	S *	8/2005	Hwang	D3/218					
7,025,238	B2	4/2006	Hughes	A45F 5/00					
				206/3					
D521,232	S *	5/2006	Andre	D3/218					
D547,863	S *	7/2007	Heinsch	D24/128					
7,614,534	B2	11/2009	Veo	F42B 39/02					
				224/196					
D645,902	S *	9/2011	Tsai	D19/90					
8,231,038	B2	7/2012	Felts	224/665					
D667,249	S *	9/2012	London	D6/553					
8,727,294	B1	5/2014	Harms	F41A 23/18					
				206/317					
8,733,606	B2	5/2014	Felts	224/671					
D710,363	S *	8/2014	Wengreen	D14/432					

OTHER PUBLICATIONS

Blade-Tech—Revolution Single Mag Pouch, Brownells.com, [online], [site visited May 26, 2017]. <URL: <http://www.brownells.com/shooting-accessories/holsters-belt-gear/magazine-belt-pouches/revolution-single-mag-pouch-glock-10-45-black-tek-lok-sku098000192-40775-127641.aspx>>.*

Competitive Edge Dynamics—CED7000 Belt Clip, Brownells.com, [online], [site visited May 26, 2017]. <URL: <http://www.brownells.com/shooting-accessories/range-gear/shot-timers/ced7000-belt-clip-prod25153.aspx>>.*

Airframe | Car Vent Phone Mount, BlessThisStuff.com, [online], [site visited May 26, 2017]. <URL: <http://www.blessthustuff.com/stuff/technology/misc-gadgets/airframe-car-vent-phone-mount/>>.*

* cited by examiner

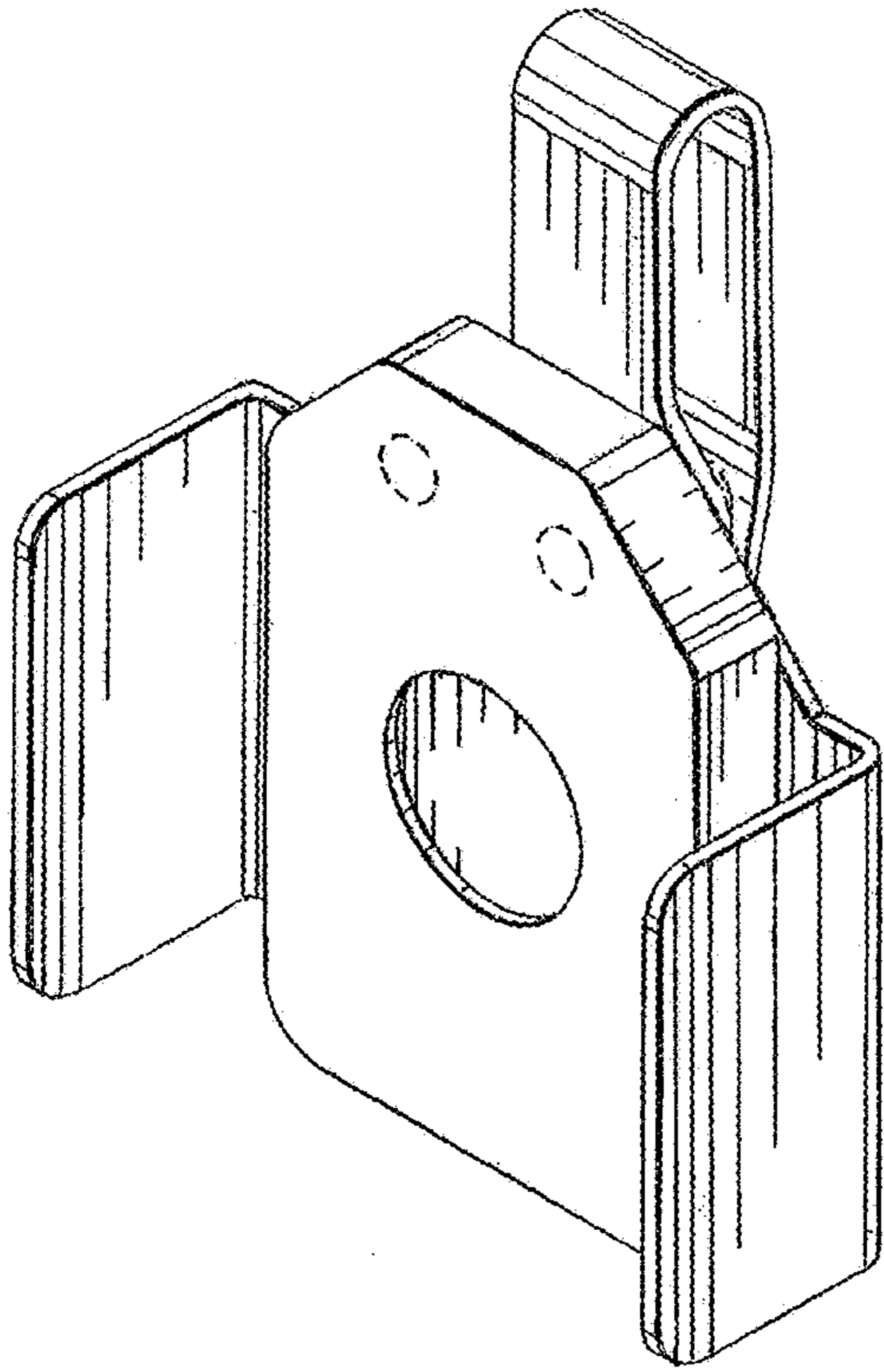


FIG. 1

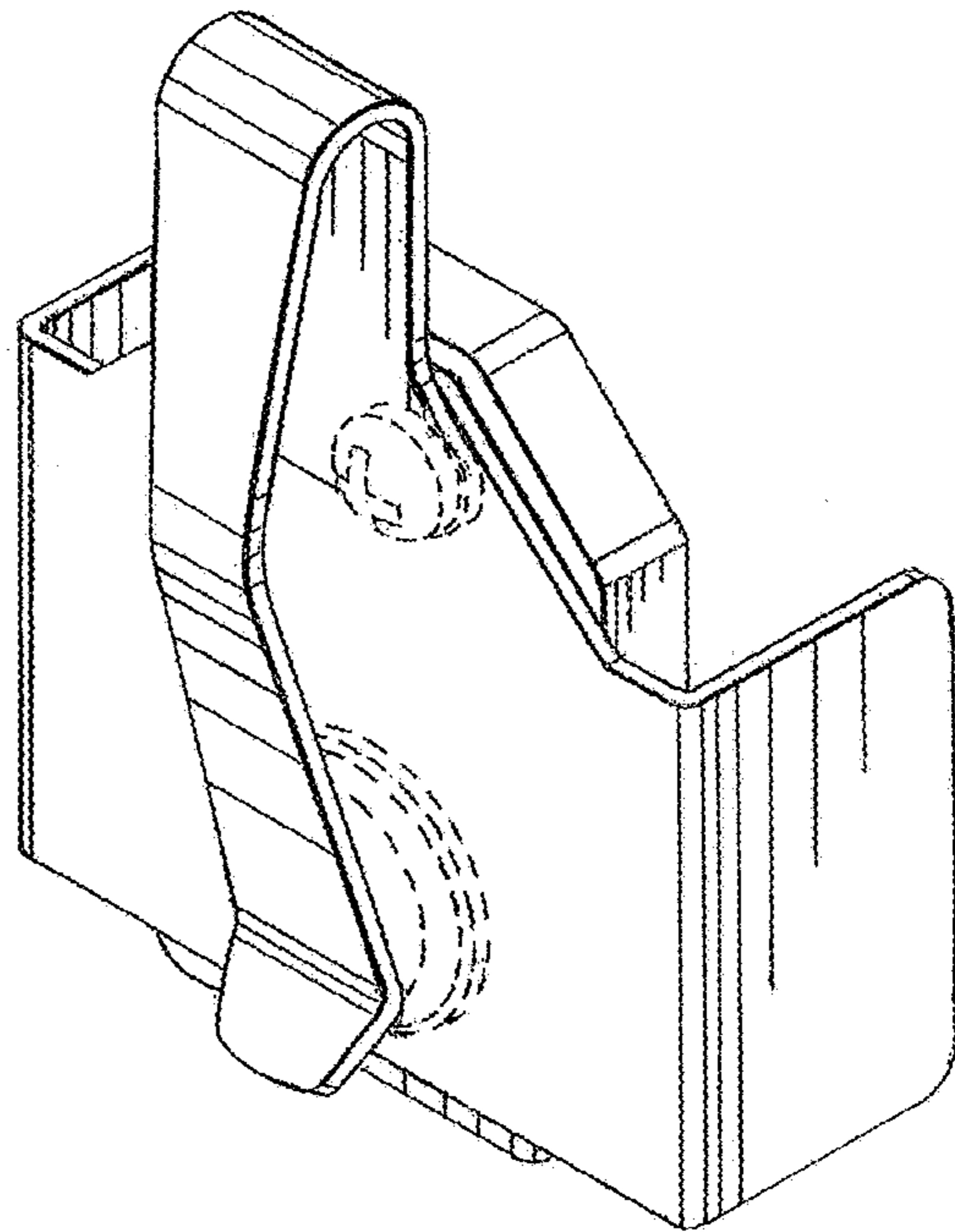


FIG. 2

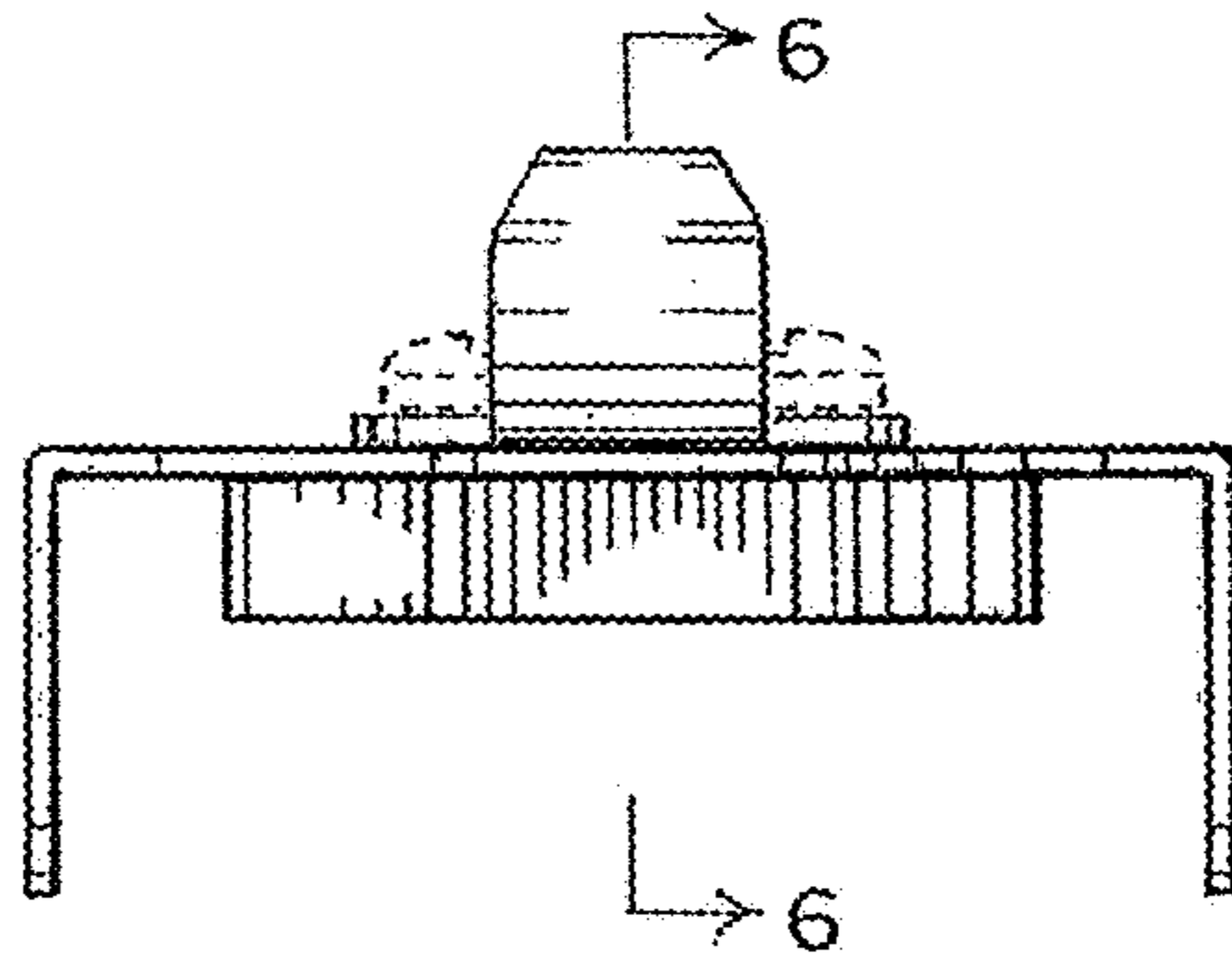


FIG. 3

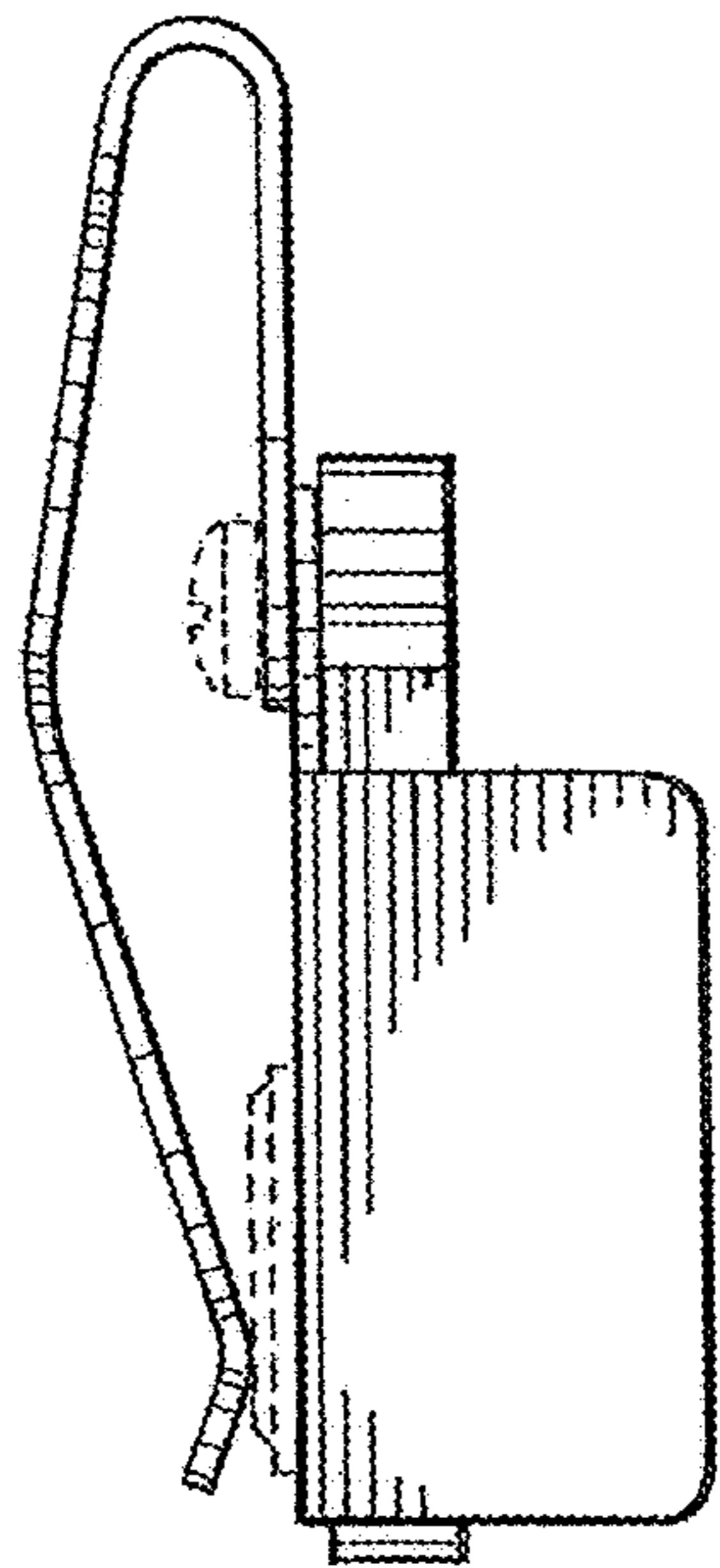


FIG. 4

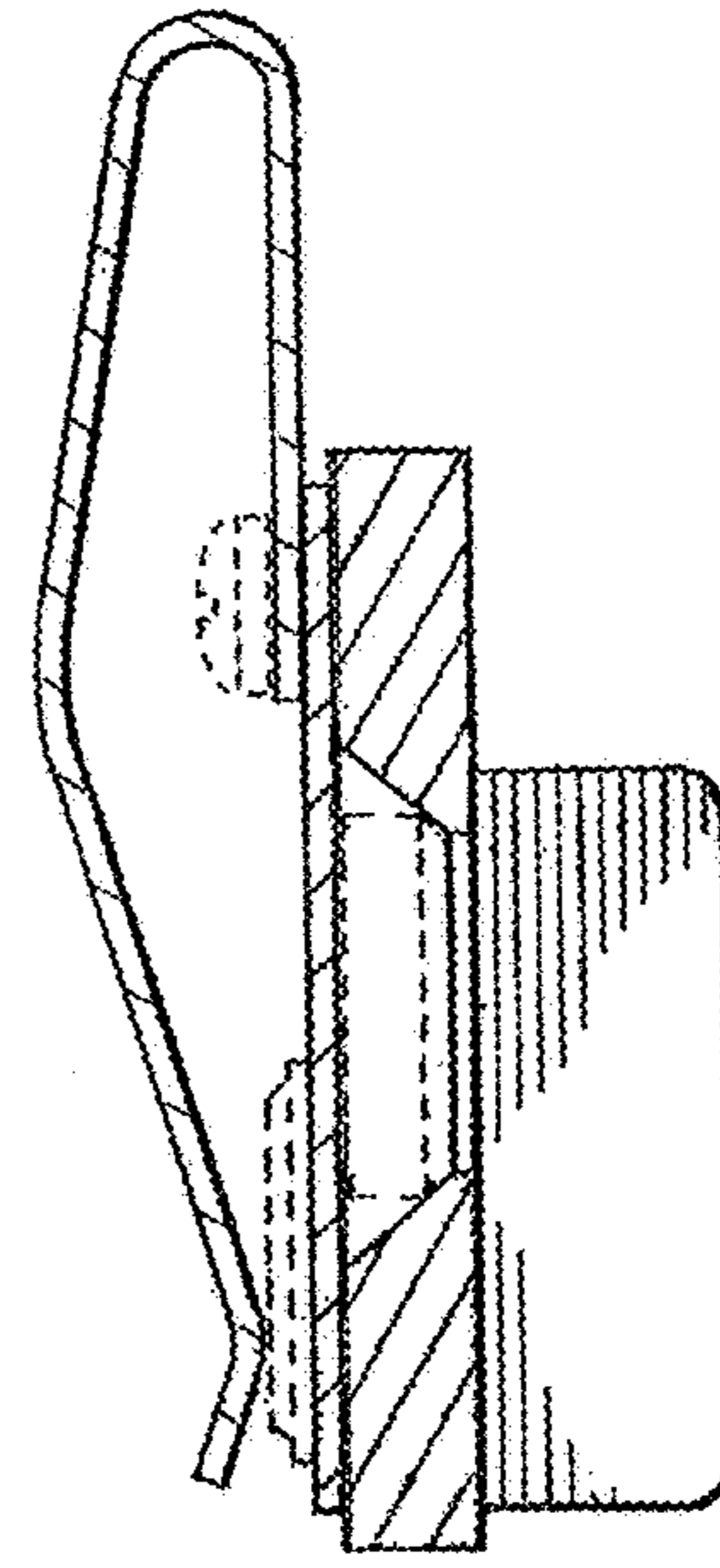


FIG. 6

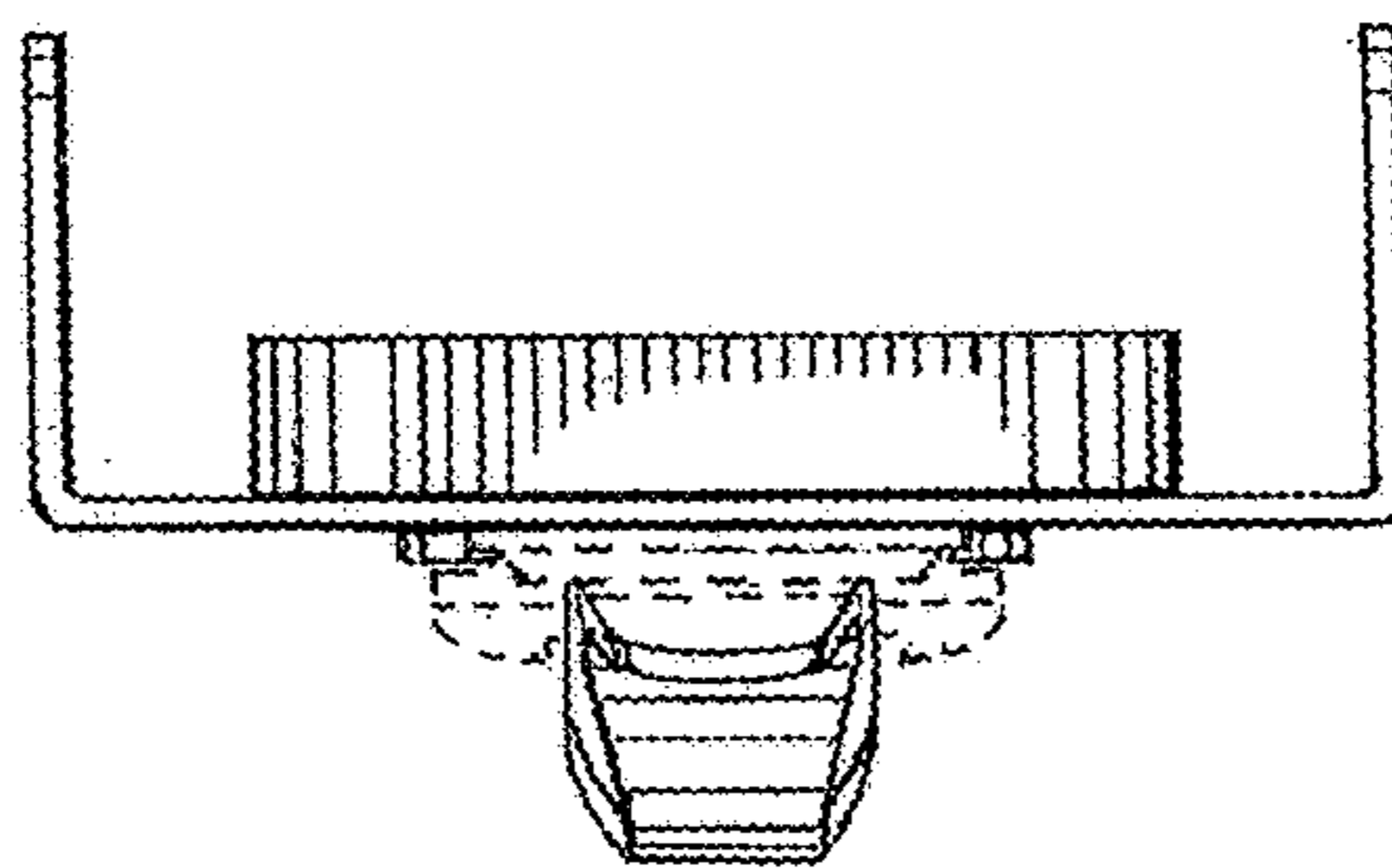


FIG. 5

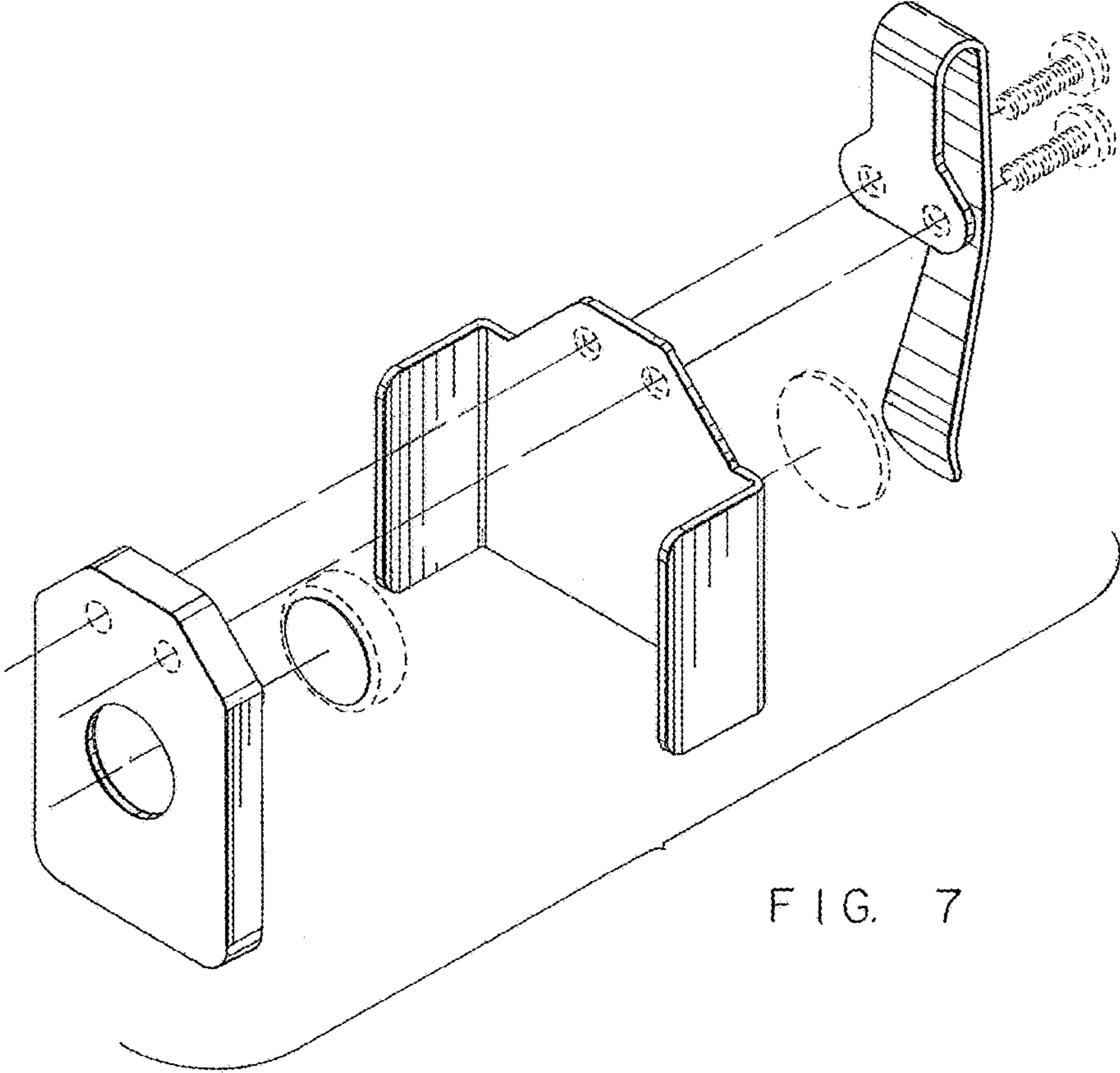


FIG. 7