



US00D804808S

(12) **United States Design Patent**
Ukrainsky et al.

(10) **Patent No.:** **US D804,808 S**
(45) **Date of Patent:** **** Dec. 12, 2017**

(54) **STORAGE AND CARRY CASE FOR
TELEMEDICINE DEVICES**

DESCRIPTION

(71) Applicant: **Comprehensive Telemedicine**, NY, NY (US)

(72) Inventors: **Gennady Ukrainsky**, NY, NY (US);
Boris Sagalovich, NY, NY (US);
Danny Kopit, Brooklyn, NY (US)

(73) Assignee: **Comprehensive Telemedicine**, Forest Hills, NY (US)

(**) Term: **15 Years**

(21) Appl. No.: **29/538,079**

(22) Filed: **Sep. 1, 2015**

(51) **LOC (10) Cl.** **03-01**

(52) **U.S. Cl.**
USPC **D3/203.3**

(58) **Field of Classification Search**
USPC D3/201, 203.1, 203.3, 203.6, 203.7,
D3/203.8, 206, 295, 305; D28/73, 83;
D24/186, 200

(Continued)

(56) **References Cited**

U.S. PATENT DOCUMENTS

1,481,194 A * 1/1924 Fischer G01F 11/12
220/503
2,013,281 A * 9/1935 McCalla A61B 50/312
206/38

(Continued)

Primary Examiner — John Windmuller

Assistant Examiner — Steven Czyz

(74) *Attorney, Agent, or Firm* — Ash Tankha; Lipton,
Weinberger & Husick

(57) **CLAIM**

The ornamental design for a storage and carry case for telemedicine devices, as shown and described.

FIG. 1 is a front isometric view of a storage and carry case for telemedicine devices, shown with the easel in a closed position and the slidable tray in a retracted position;

FIG. 2 is an exploded view of the storage and carry case for telemedicine devices;

FIG. 3 is a front elevation view of the storage and carry case for telemedicine devices showing the easel in a closed position and the slidable tray in a retracted position;

FIG. 4 is a rear elevation view thereof;

FIG. 5 is a top plan view thereof, showing the easel in a closed position and the slidable tray in a retracted position;

FIG. 6 is a bottom view thereof;

FIG. 7 is a right side elevation view thereof, showing the easel in a closed position and the slidable tray in a retracted position;

FIG. 8 is a left side elevation view thereof, showing the easel in a closed position and the slidable tray in a retracted position;

FIG. 9 is a front isometric view of the storage and carry case for telemedicine devices, showing the easel in an open position and the slidable tray in a retracted position;

FIG. 10 is a front elevation view thereof, showing the easel in an open position and the slidable tray in a retracted position;

FIG. 11 is a top plan view thereof, showing the easel in an open position and the slidable tray in a retracted position;

FIG. 12 is a right side elevation view thereof, showing the easel in an open position and the slidable tray in a retracted position;

FIG. 13 is a left side elevation view thereof, showing the easel in an open position and the slidable tray in a retracted position;

FIG. 14 is a front isometric view of the storage and carry case for telemedicine devices, showing the easel in a closed position and the slidable tray in an extended position;

FIG. 15 is a rear isometric view thereof, showing the slidable tray in an extended position;

FIG. 16 is a front elevation view thereof, showing the easel in a closed position and the slidable tray in an extended position;

(Continued)

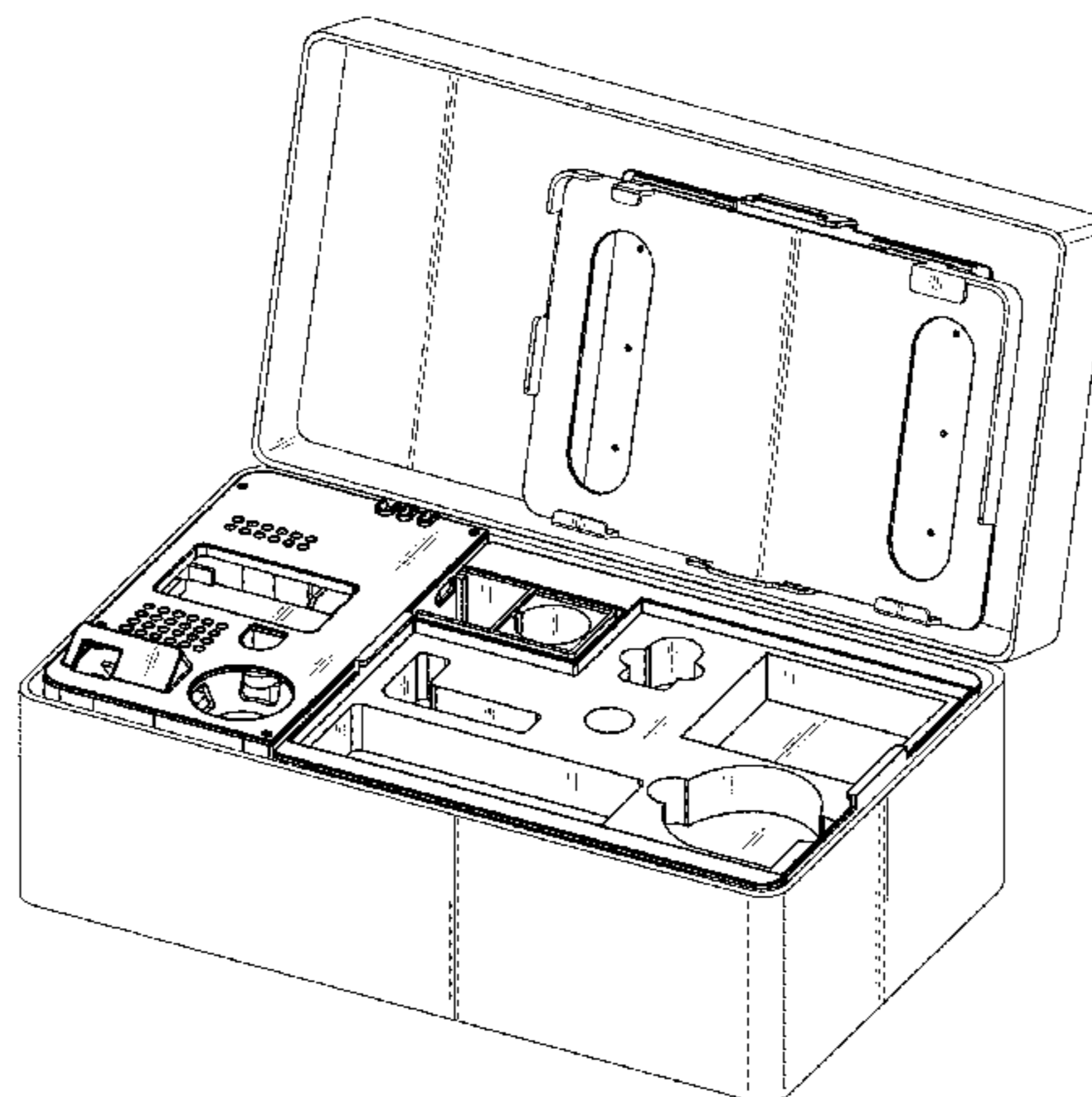


FIG. 17 is a rear elevation view thereof, showing the slidable tray in an extended position;
 FIG. 18 is a top plan view thereof, showing the easel in a closed position and the slidable tray in an extended position;
 FIG. 19 is a bottom view thereof, showing the slidable tray in an extended position;
 FIG. 20 is a right side elevation view thereof, showing the easel in a closed position and the slidable tray in an extended position;
 FIG. 21 is a left side elevation thereof, showing the easel in a closed position and the slidable tray in an extended position;
 FIG. 22 is a front isometric view of the storage and carry case for telemedicine devices, showing the easel in an open position and the slidable tray in an extended position;
 FIG. 23 is a front elevation view thereof, showing the easel in an open position and the slidable tray in an extended position;
 FIG. 24 is a top plan view thereof, showing the easel in an open position and the slidable tray in an extended position;
 FIG. 25 is a right side elevation view thereof, showing the easel in an open position and the slidable tray in an extended position; and
 FIG. 26 is a left side elevation thereof, showing the easel in an open position and the slidable tray in an extended position.

1 Claim, 26 Drawing Sheets

(58) **Field of Classification Search**

CPC G06F 19/3418; H04L 63/0853; H04L 9/0631; A61B 13/00; A61B 1/31; A61B 1/00108; A61B 1/042; A61B 1/227

See application file for complete search history.

(56)

References Cited

U.S. PATENT DOCUMENTS

D139,024	S *	10/1944	Morando et al.	312/237
D170,651	S *	10/1953	Palczewski et al.	206/370
D196,894	S *	11/1963	MacKinnon et al.	D3/203.1
D232,523	S *	8/1974	Nudell et al.	D3/203.3
D289,461	S *	4/1987	Humphries	30/1
4,768,651	A *	9/1988	Lanius	A01K 97/06 206/315.1
5,114,007	A *	5/1992	Chen	B25H 3/028 206/373
D327,363	S *	6/1992	Farb	D19/75
D376,475	S *	12/1996	Simons	D3/284
D383,605	S *	9/1997	Usuriello	D3/284
5,701,904	A *	12/1997	Simmons	A61B 1/00108 348/42
D402,106	S *	12/1998	Buckingham	D3/284
6,549,229	B1 *	4/2003	Kirby	H04N 7/148 348/14.01
D492,036	S *	6/2004	Kang	D24/200
6,800,059	B2 *	10/2004	Muraki	A61B 5/02055 600/300
D510,189	S *	10/2005	Greiner	D3/284
D577,928	S *	10/2008	Wong	D3/295
D649,342	S *	11/2011	Sackett	D3/203.6
D657,915	S *	4/2012	Lai	D28/83
8,286,794	B1 *	10/2012	Agadzi	A61B 50/31 206/225
D683,950	S *	6/2013	Ernster	D3/203.1
8,550,251	B1 *	10/2013	Ford	A61K 38/28 206/370
D713,995	S *	9/2014	Felder	D28/73
D723,792	S *	3/2015	Anderson	D3/201
D762,862	S *	8/2016	Kim	D24/186
D765,388	S *	9/2016	Suess	D3/203.3
9,554,631	B1 *	1/2017	Bongiorno	A45C 5/03
D778,593	S *	2/2017	Agbeyo	D3/201
2014/0171758	A1 *	6/2014	Ayanruoh	A61B 13/00 600/301
2017/0024537	A1 *	1/2017	Ferlito	G06F 19/3418

* cited by examiner

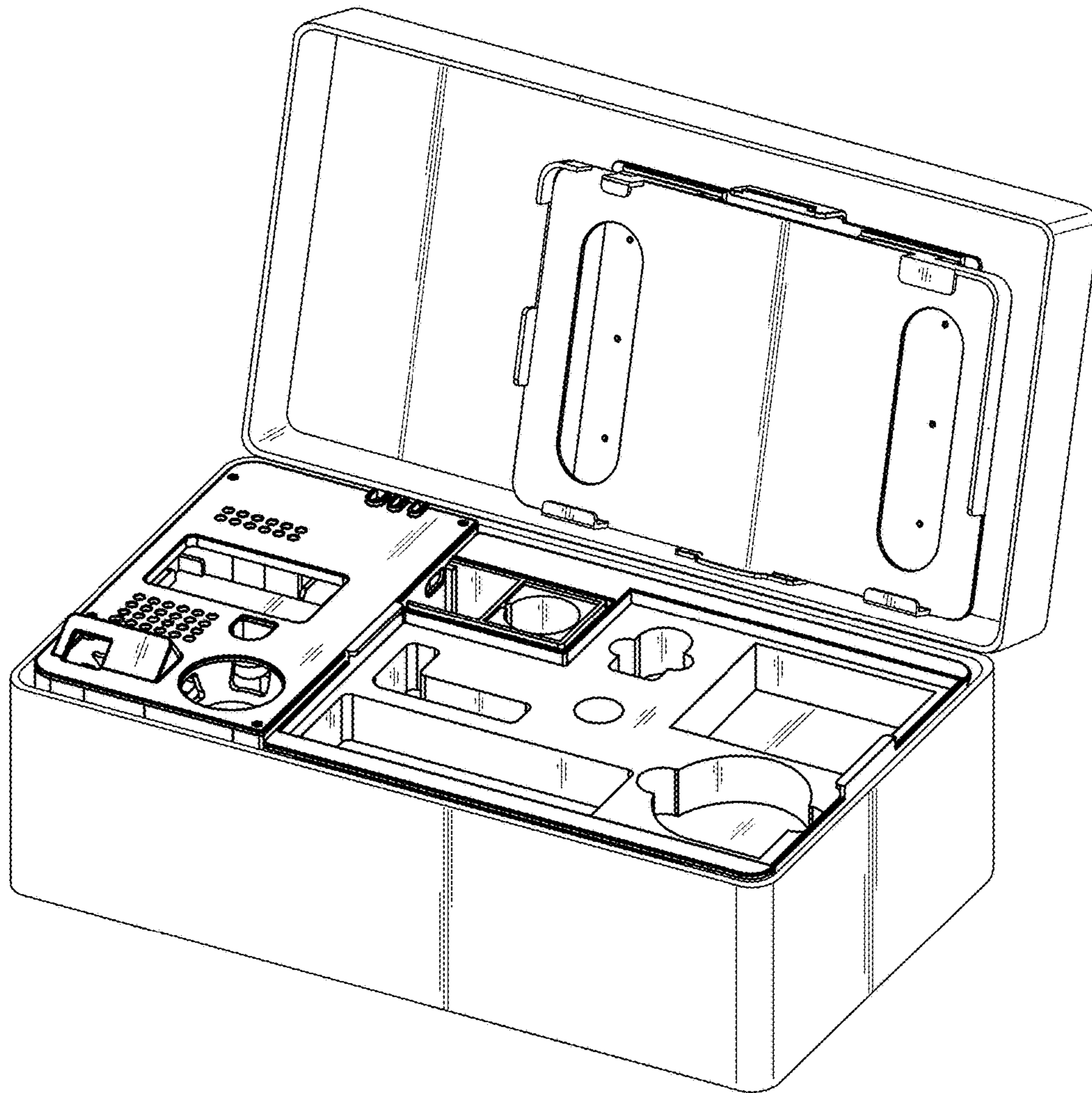


FIG. 1

2/26

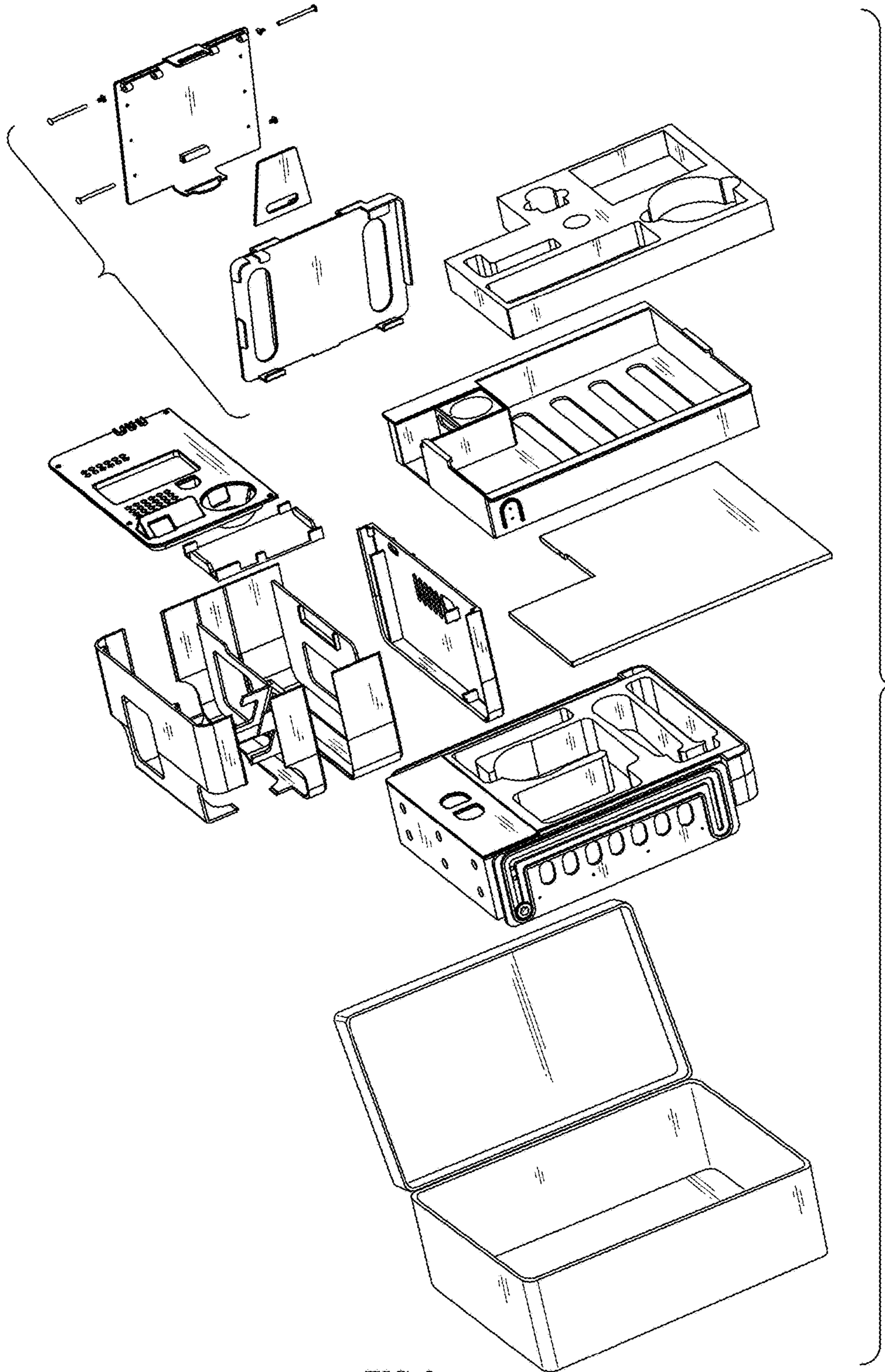


FIG. 2

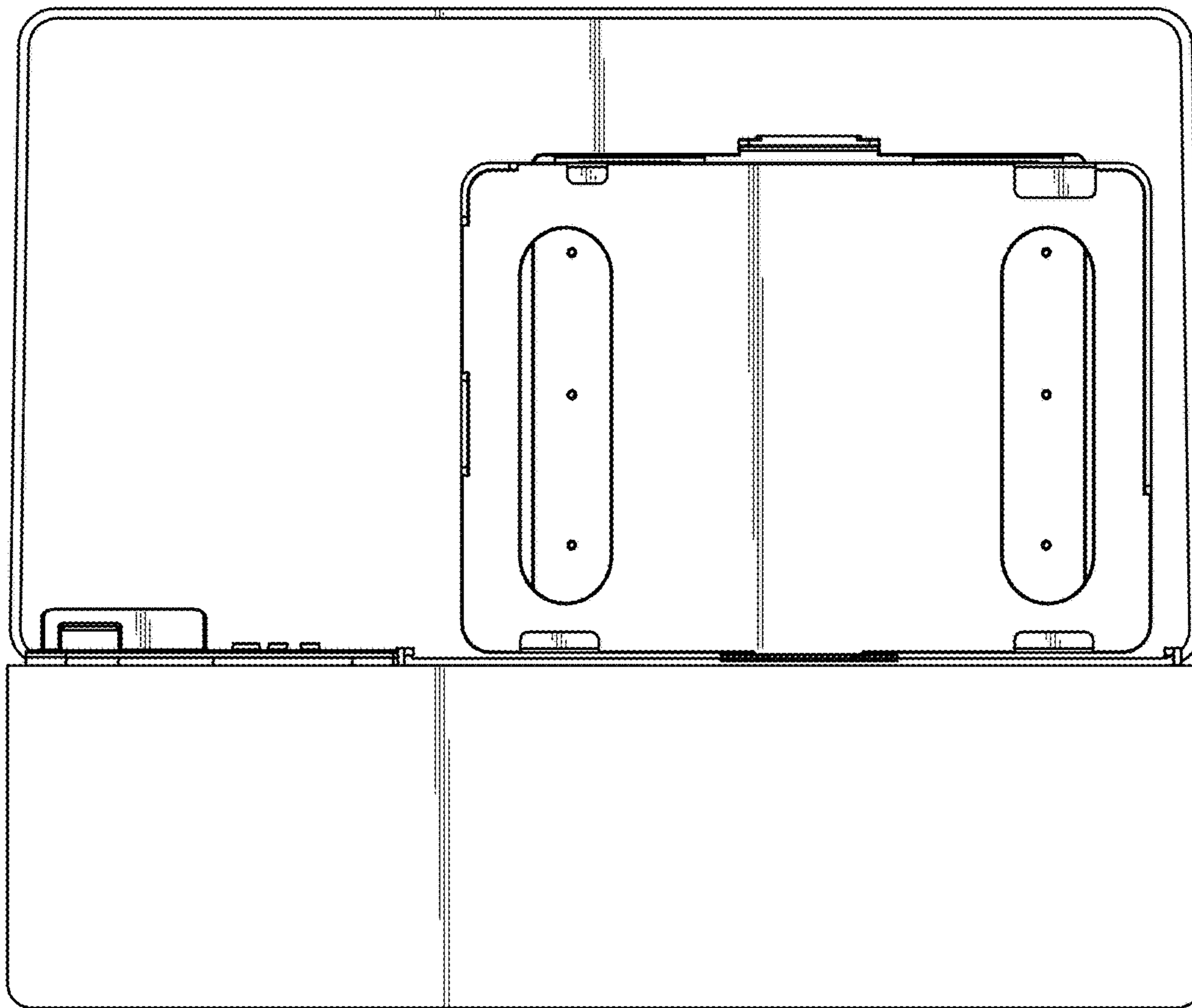


FIG. 3

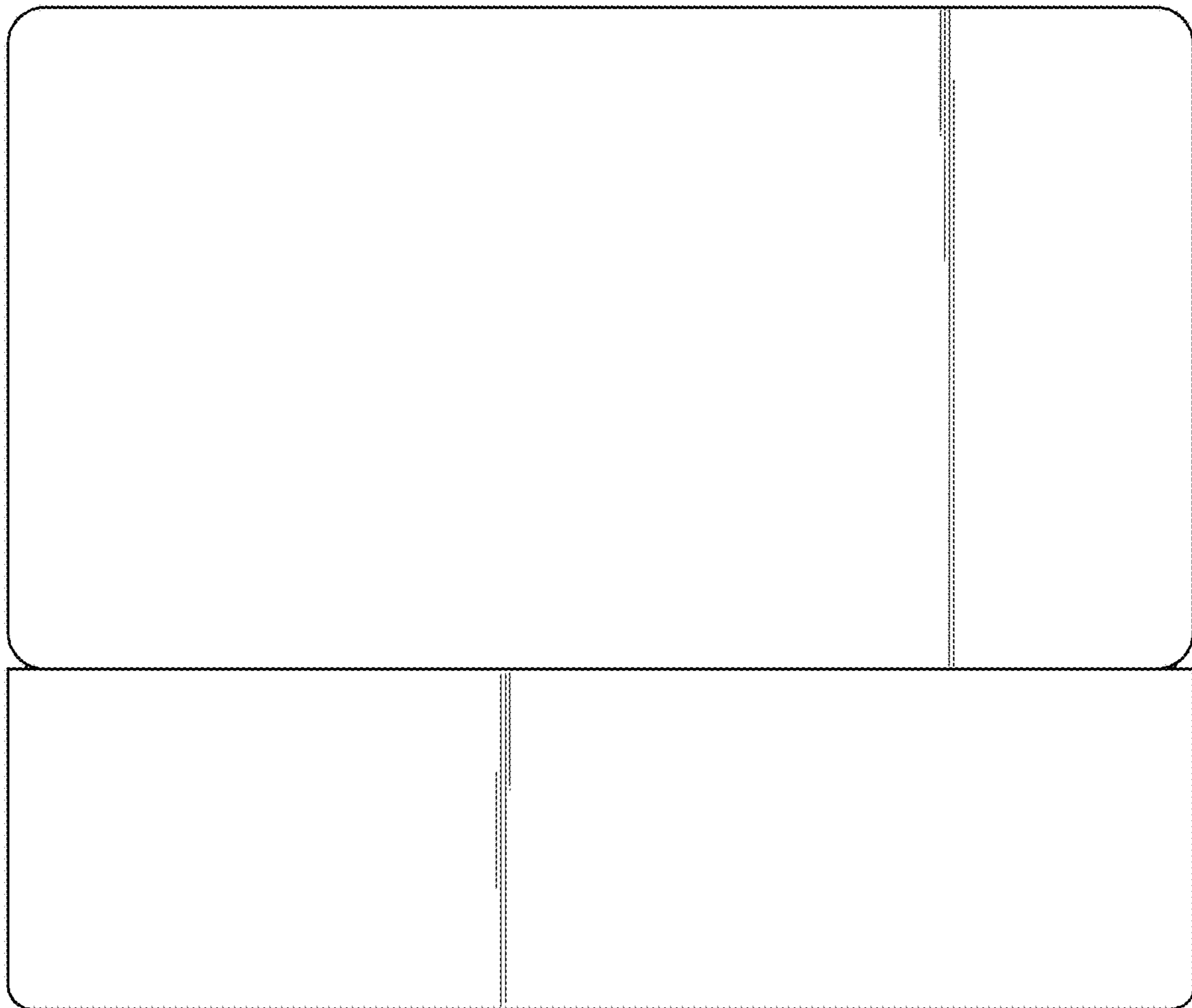


FIG. 4

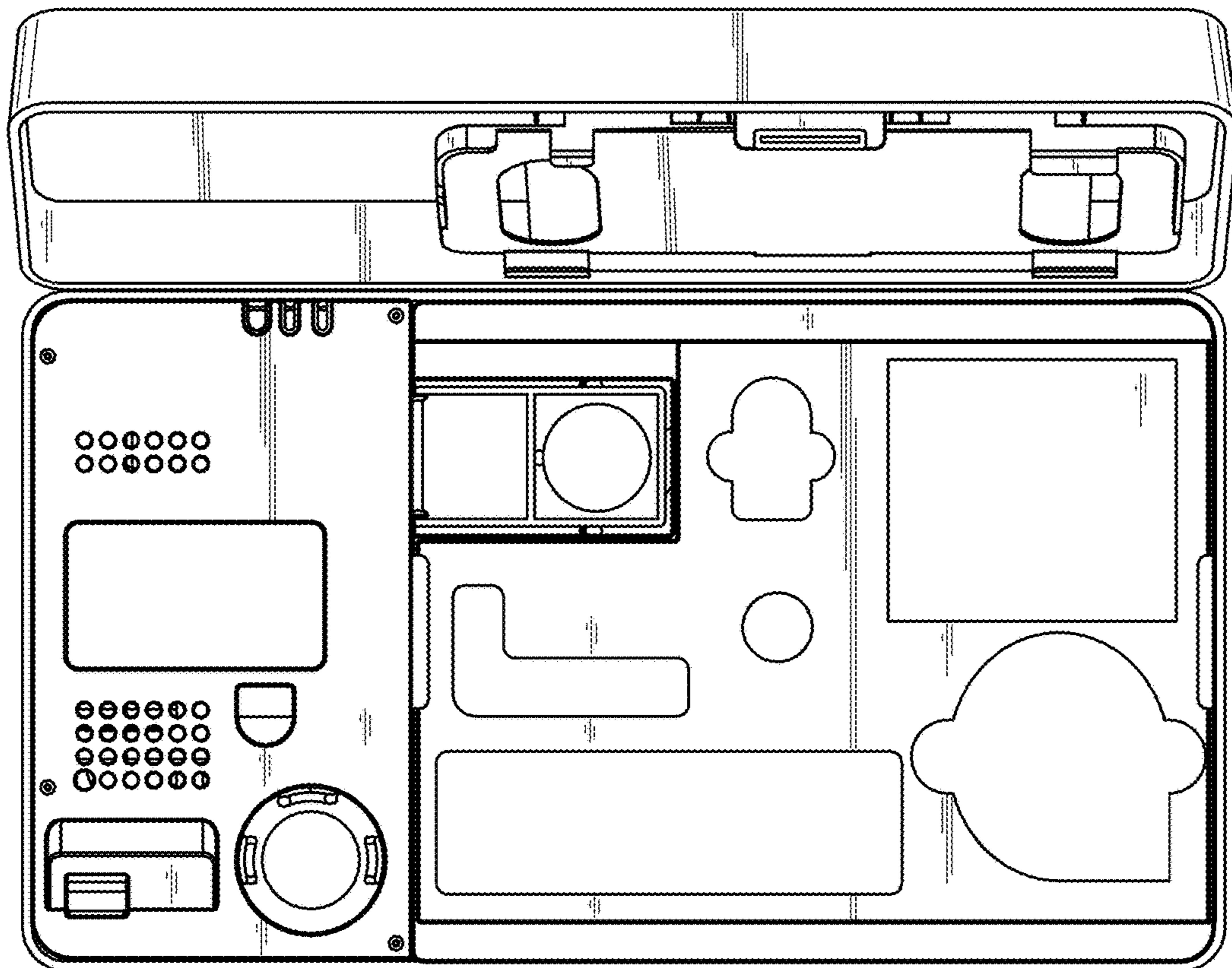


FIG. 5

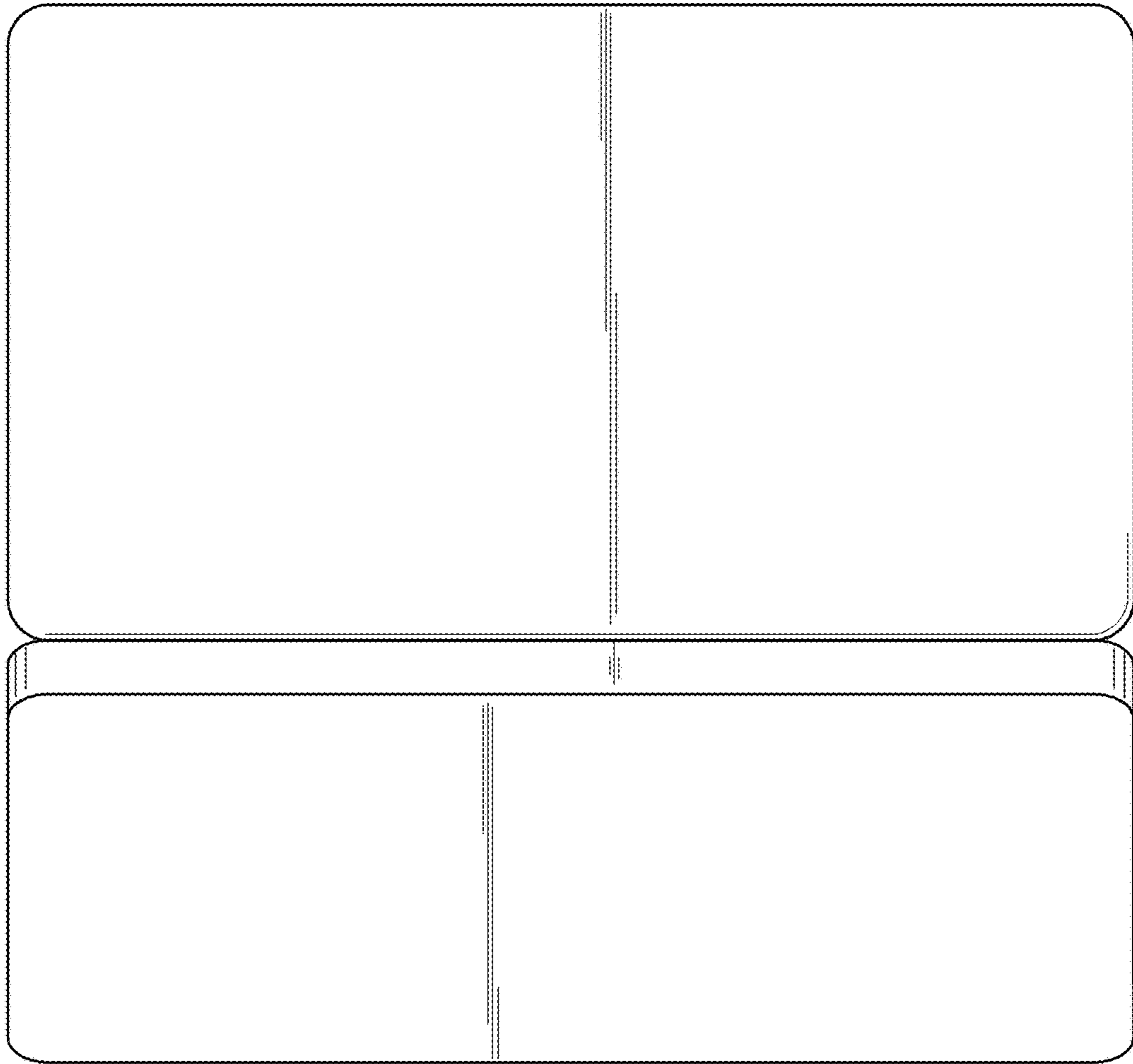


FIG. 6

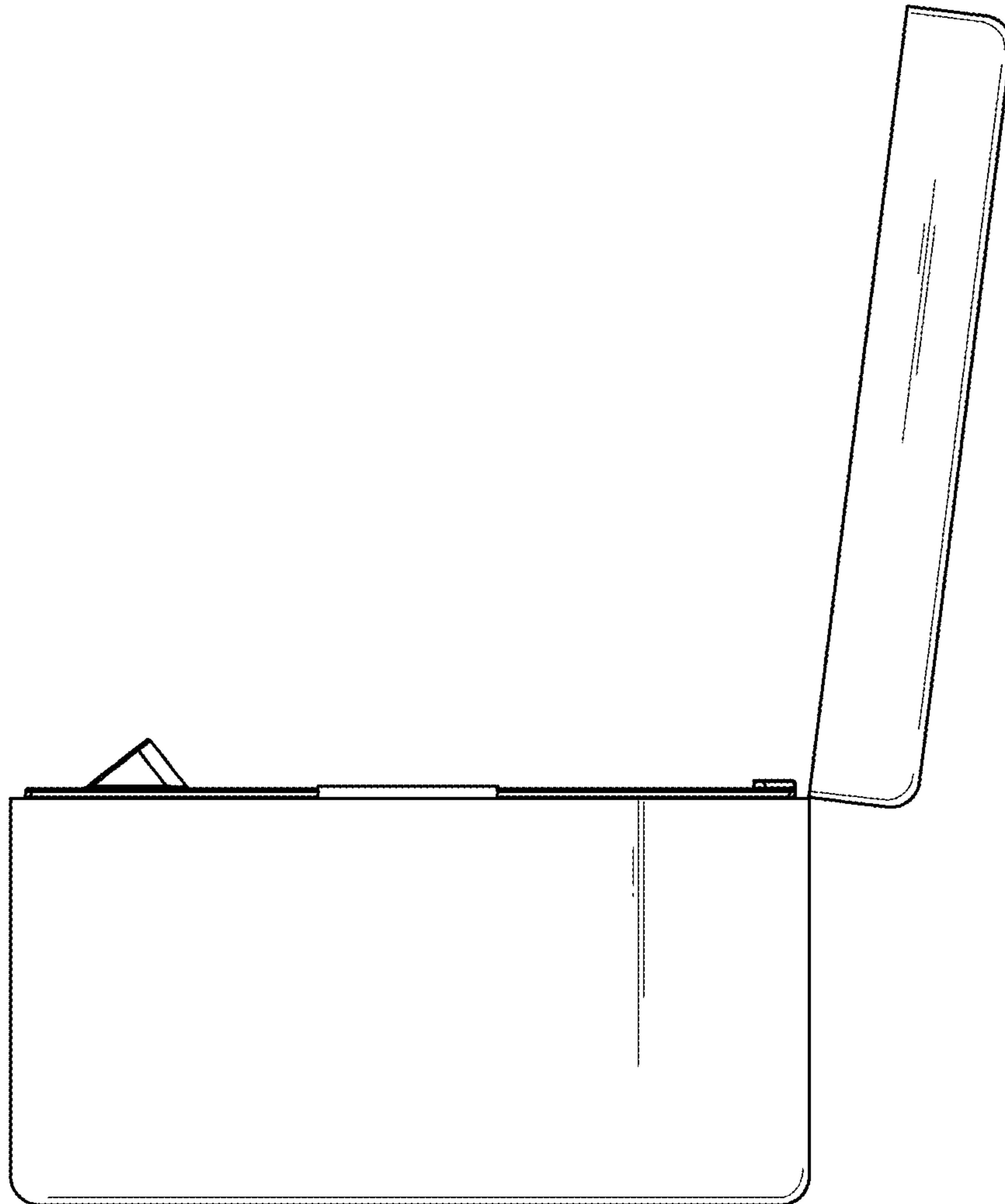


FIG. 7

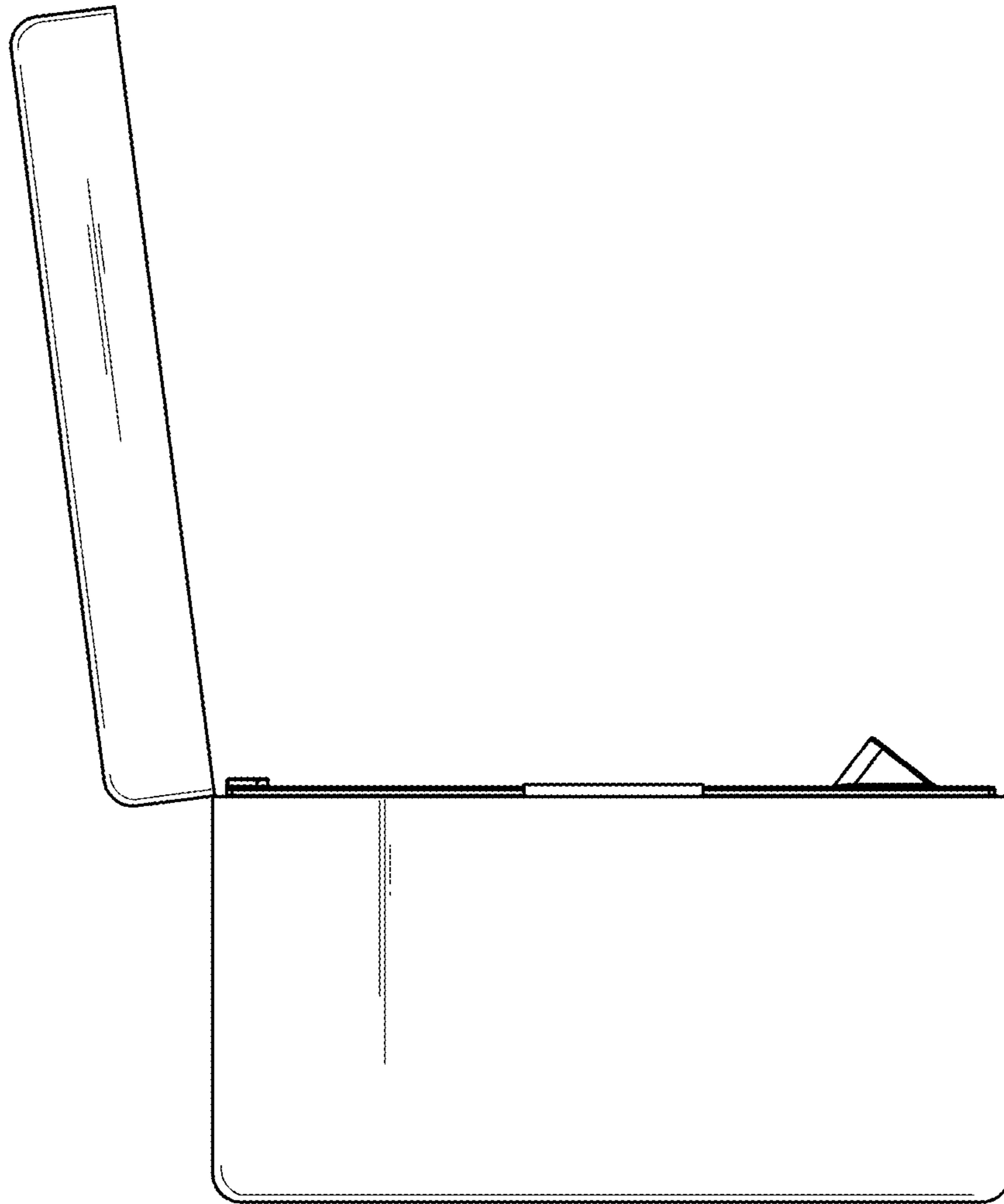


FIG. 8

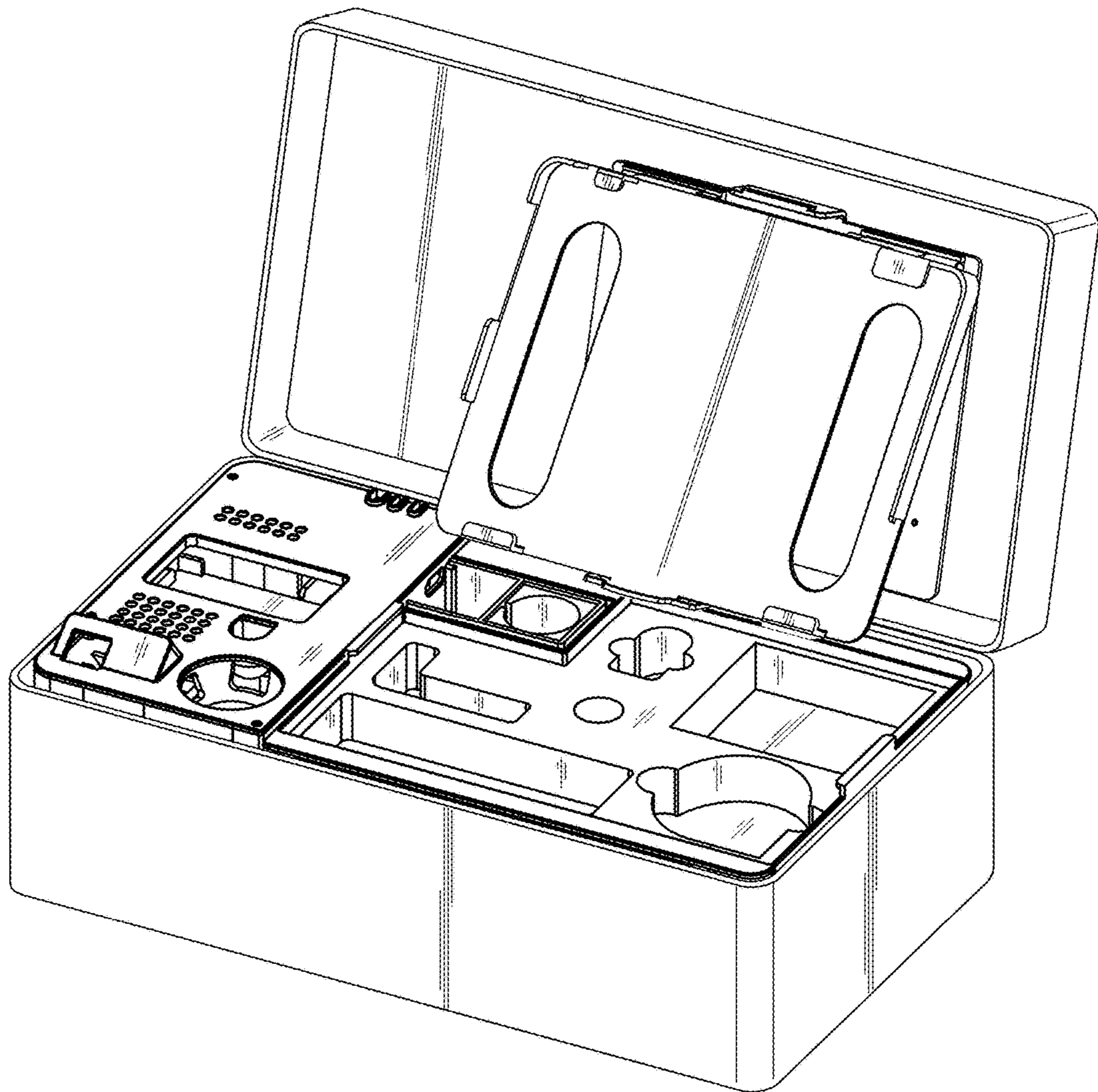


FIG. 9

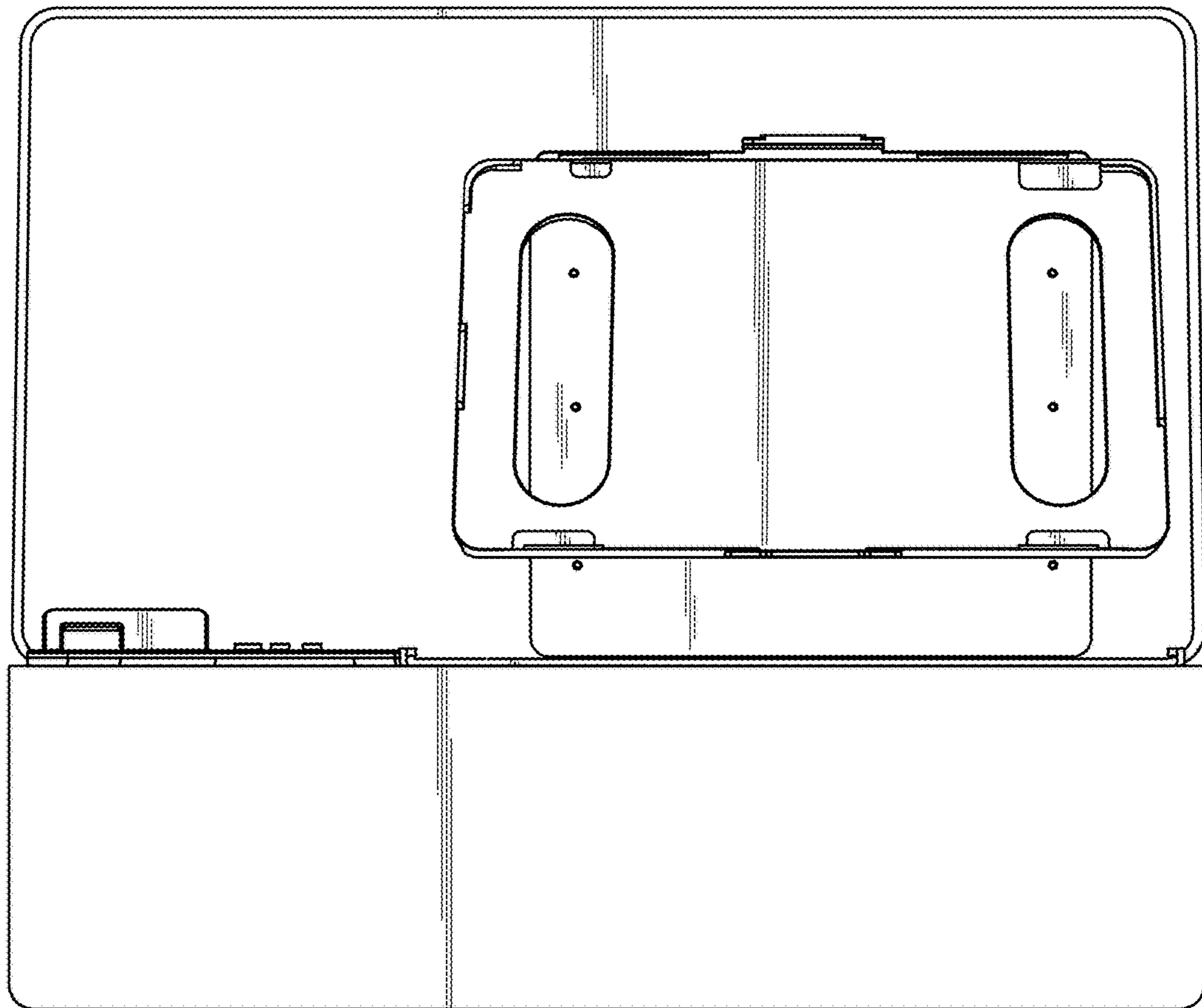


FIG. 10

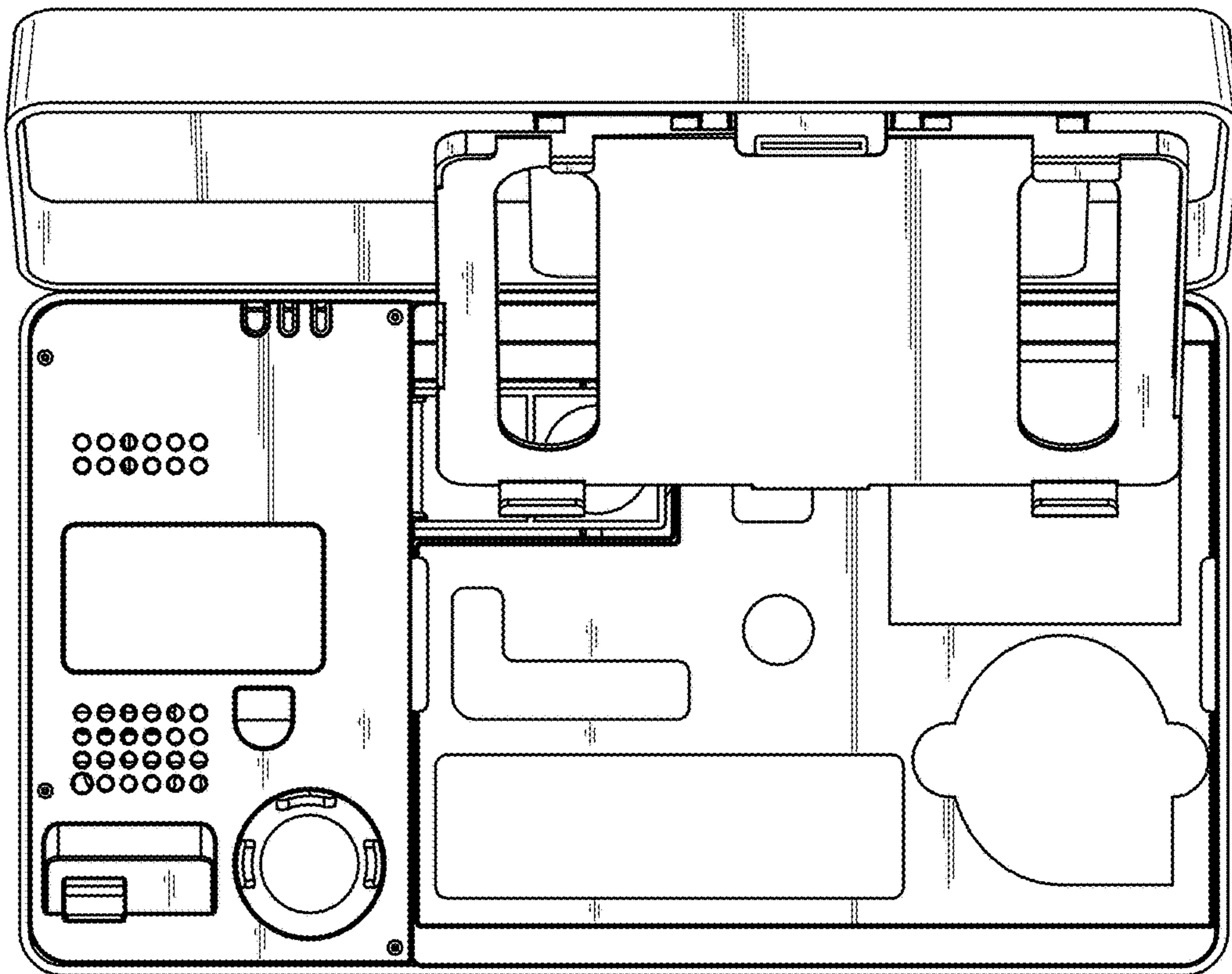


FIG. 11

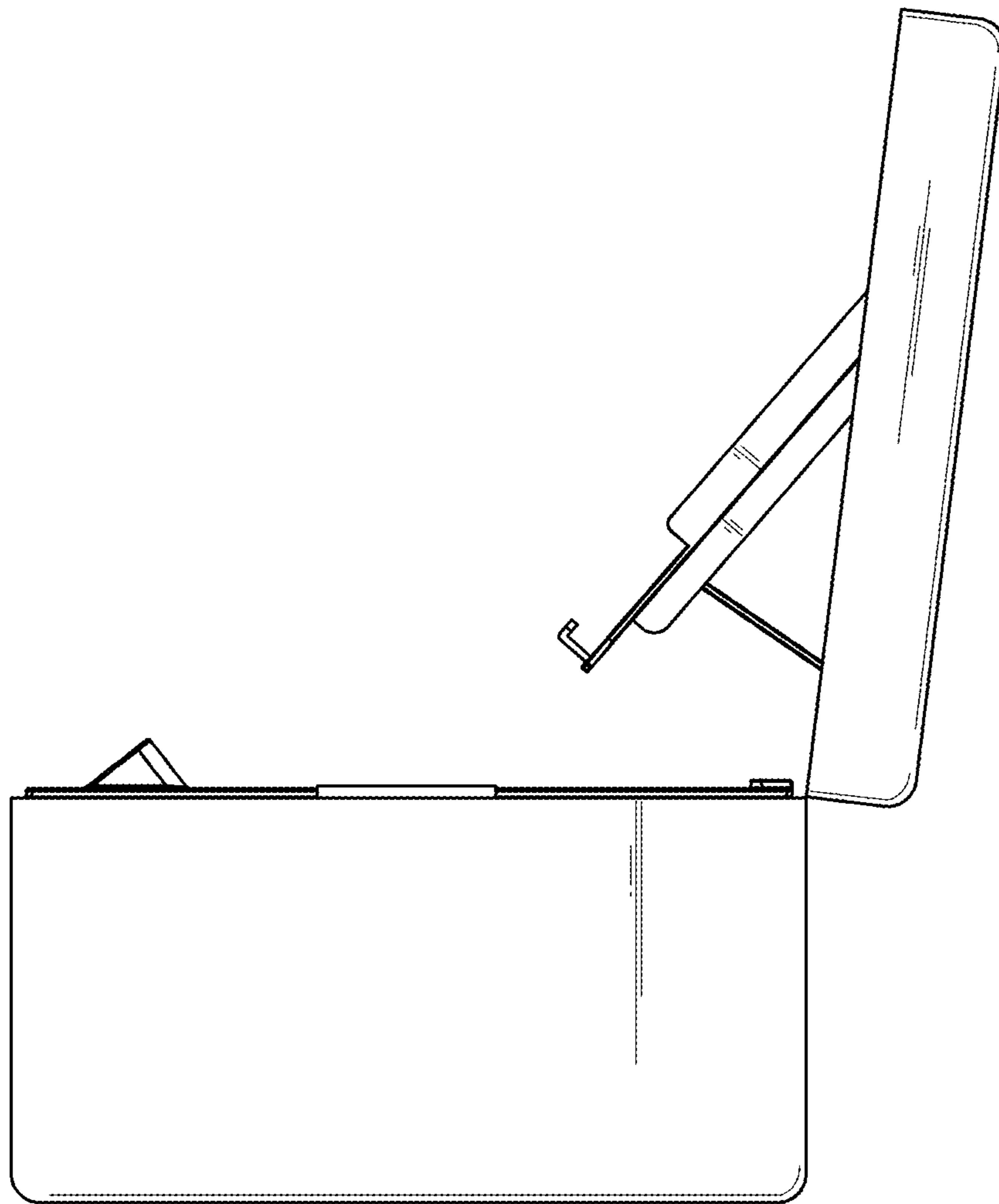


FIG. 12

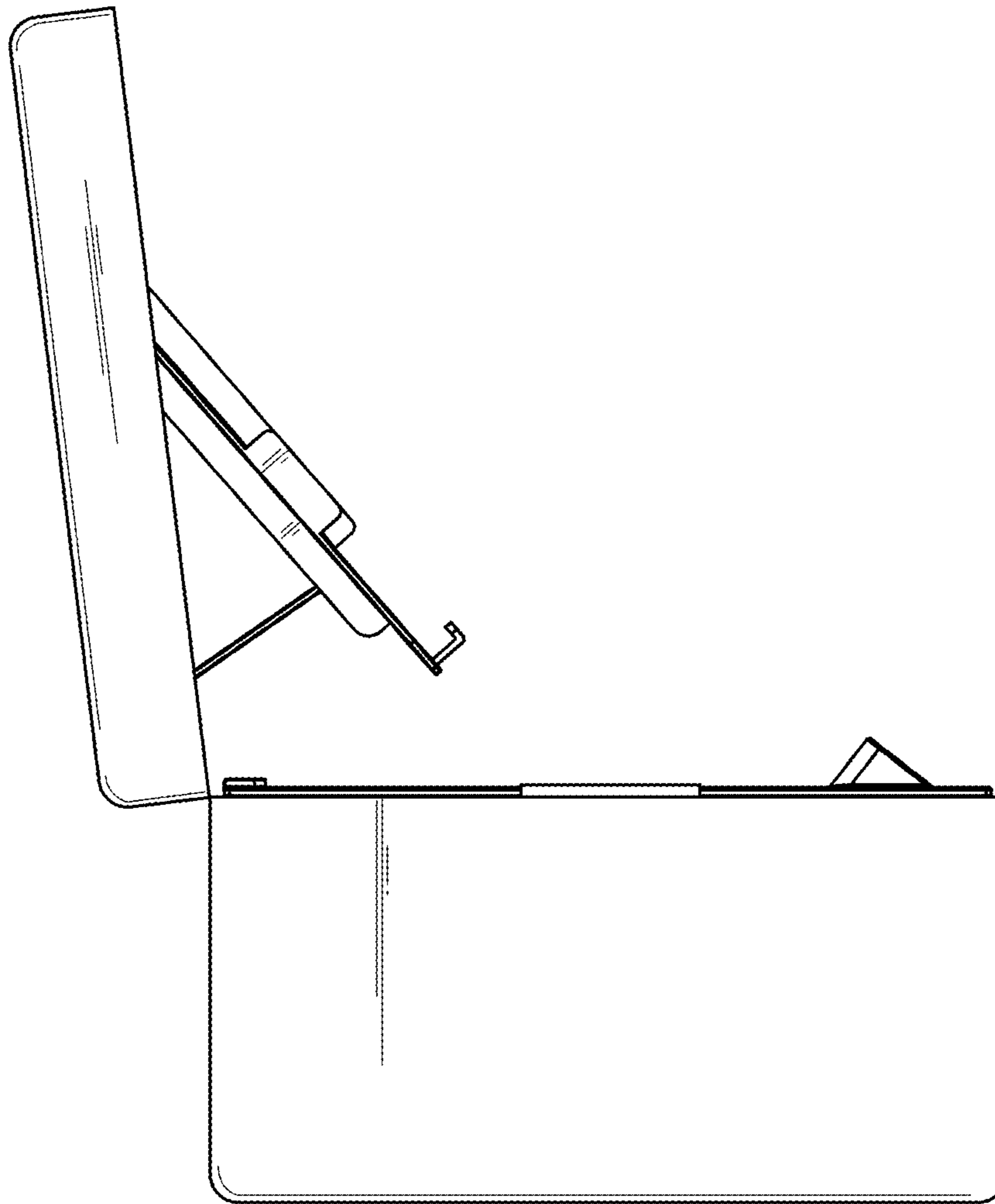


FIG. 13

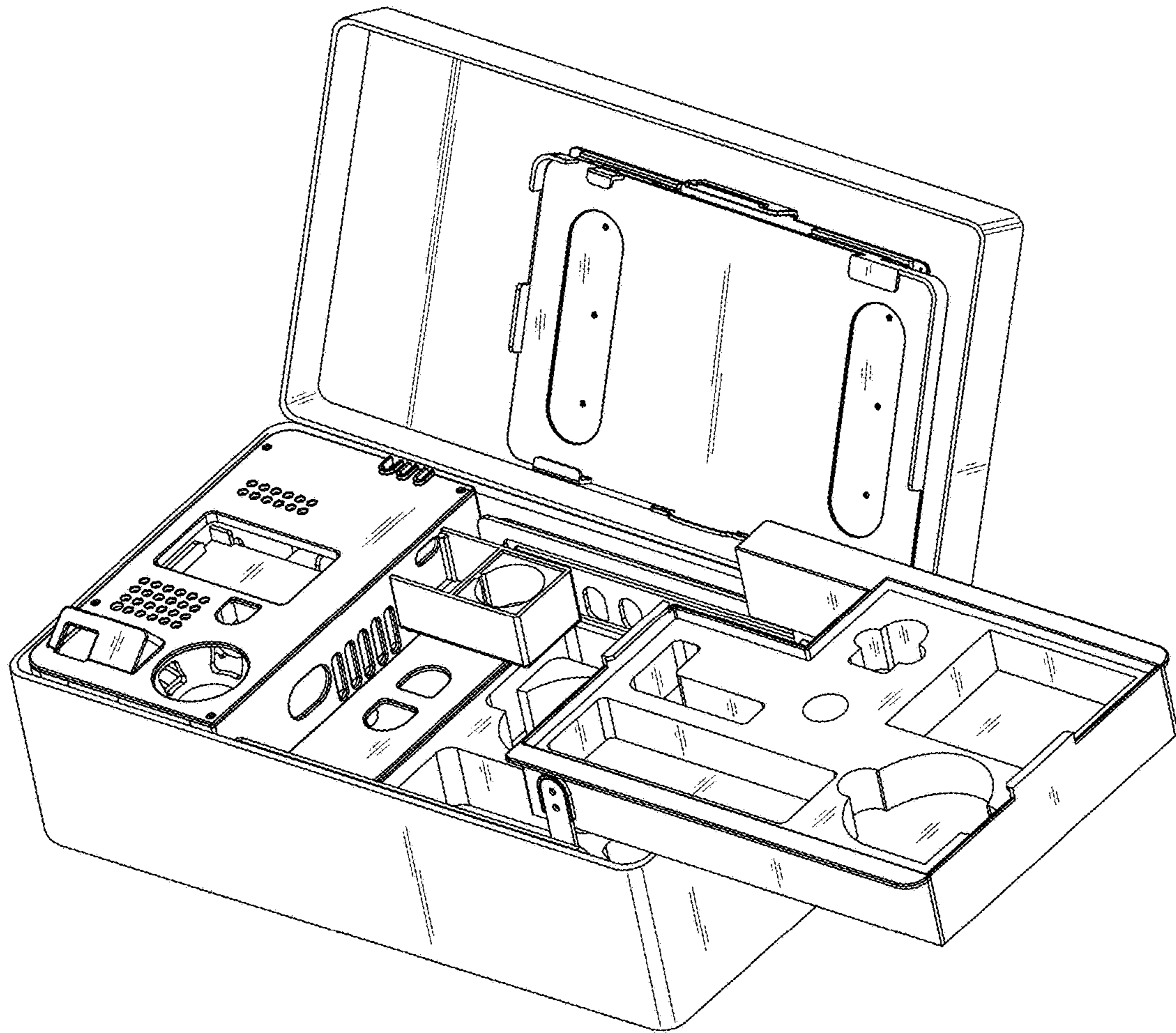


FIG. 14

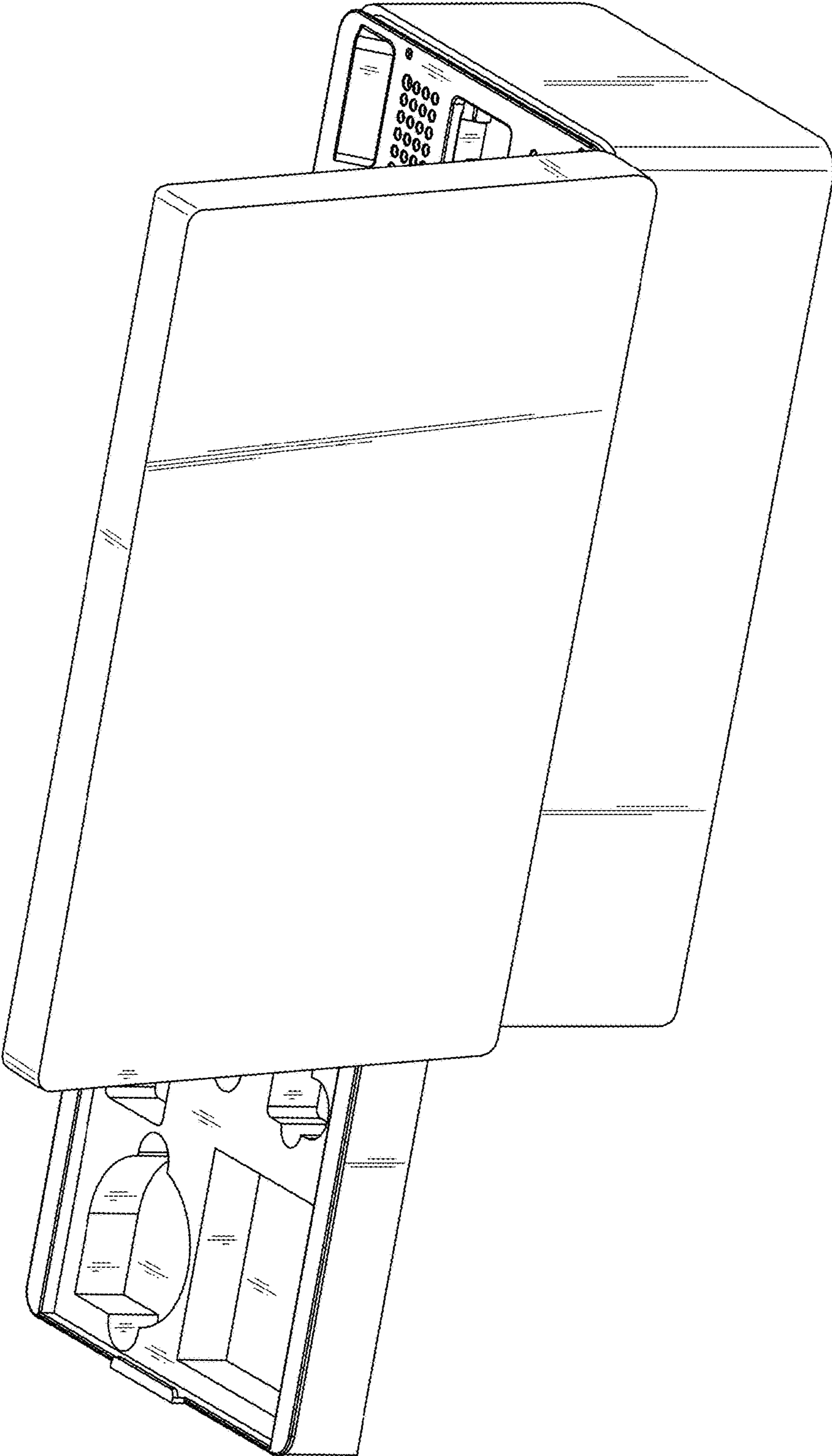


FIG. 15

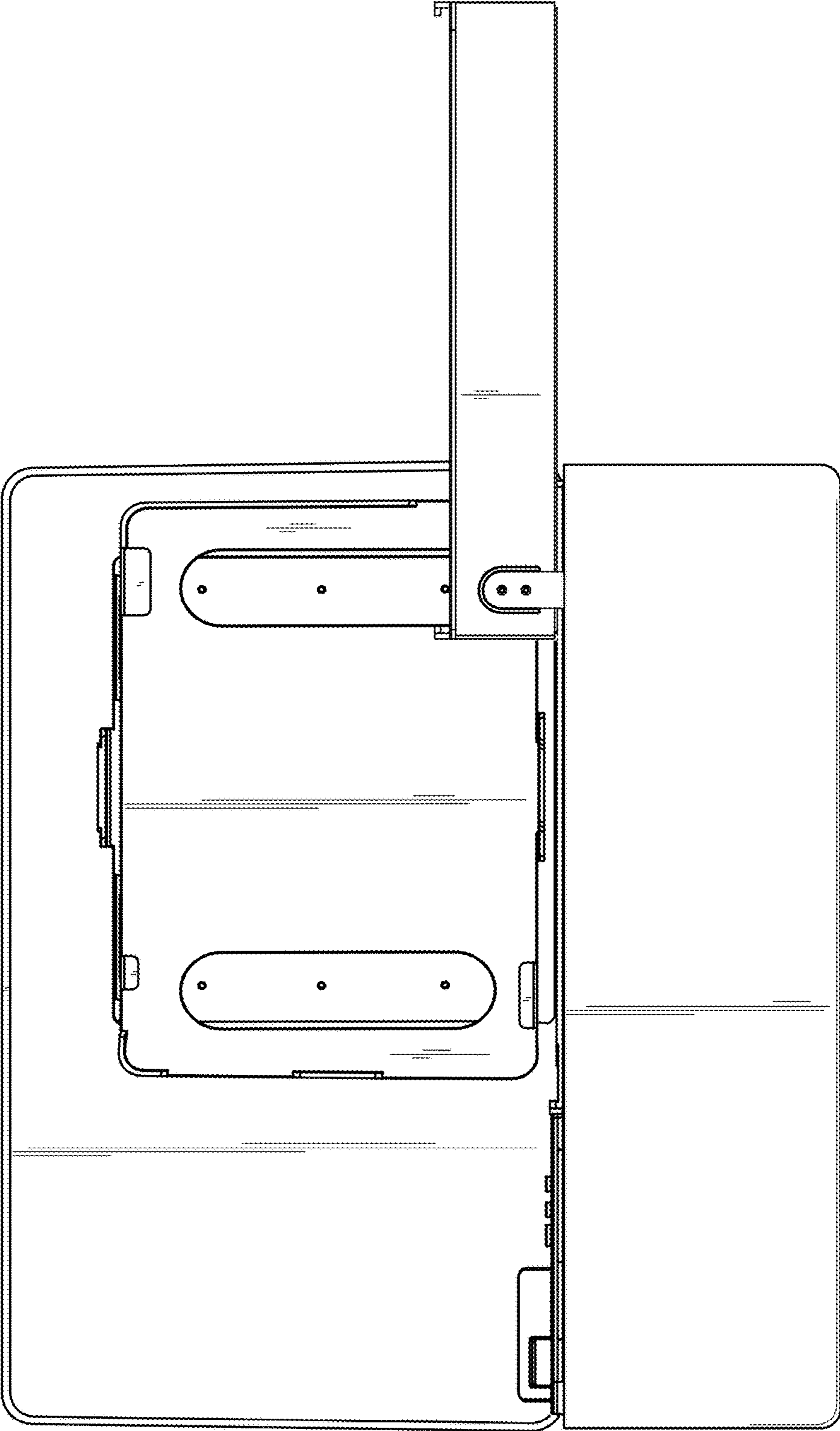


FIG. 16

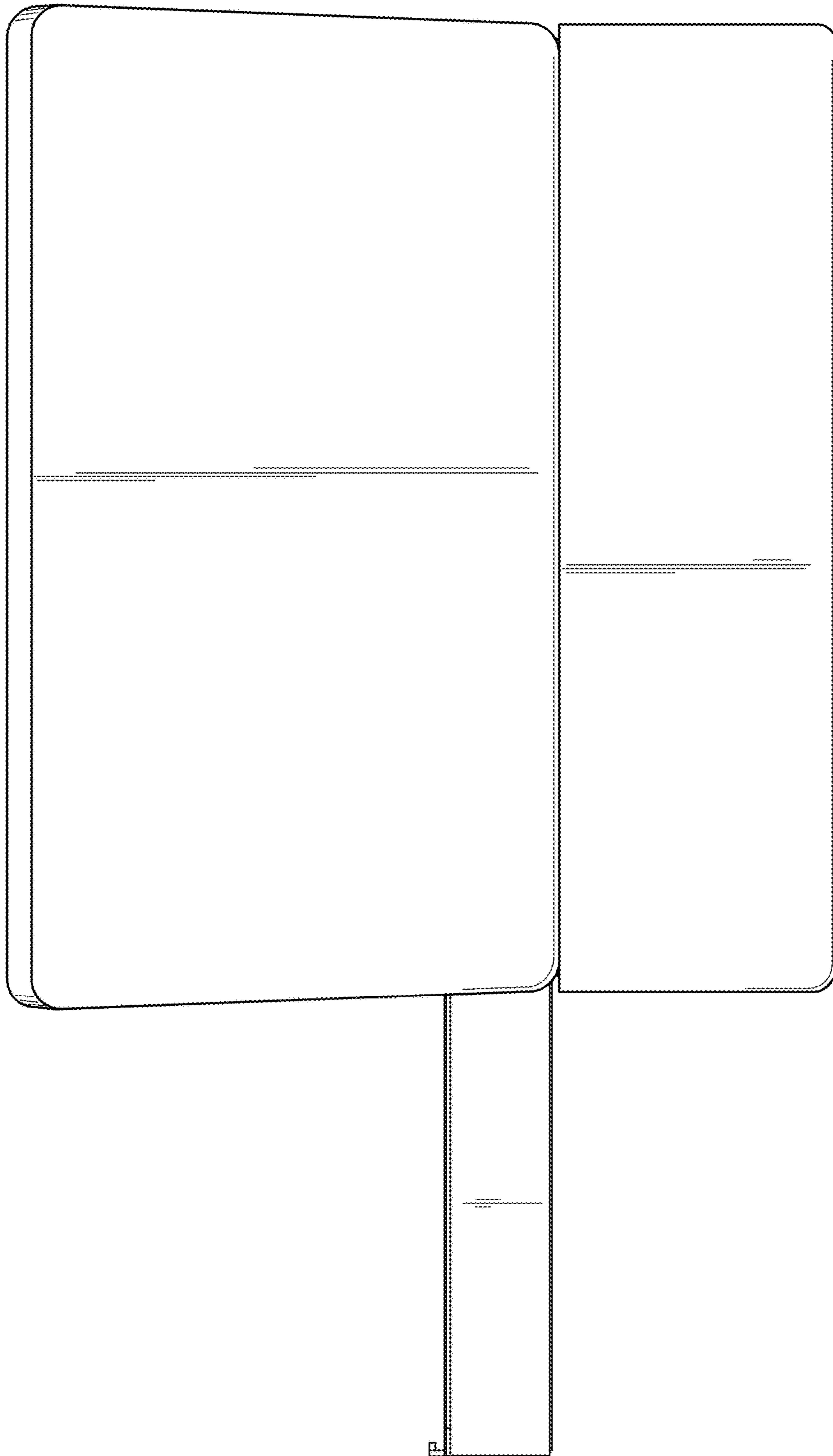


FIG. 17

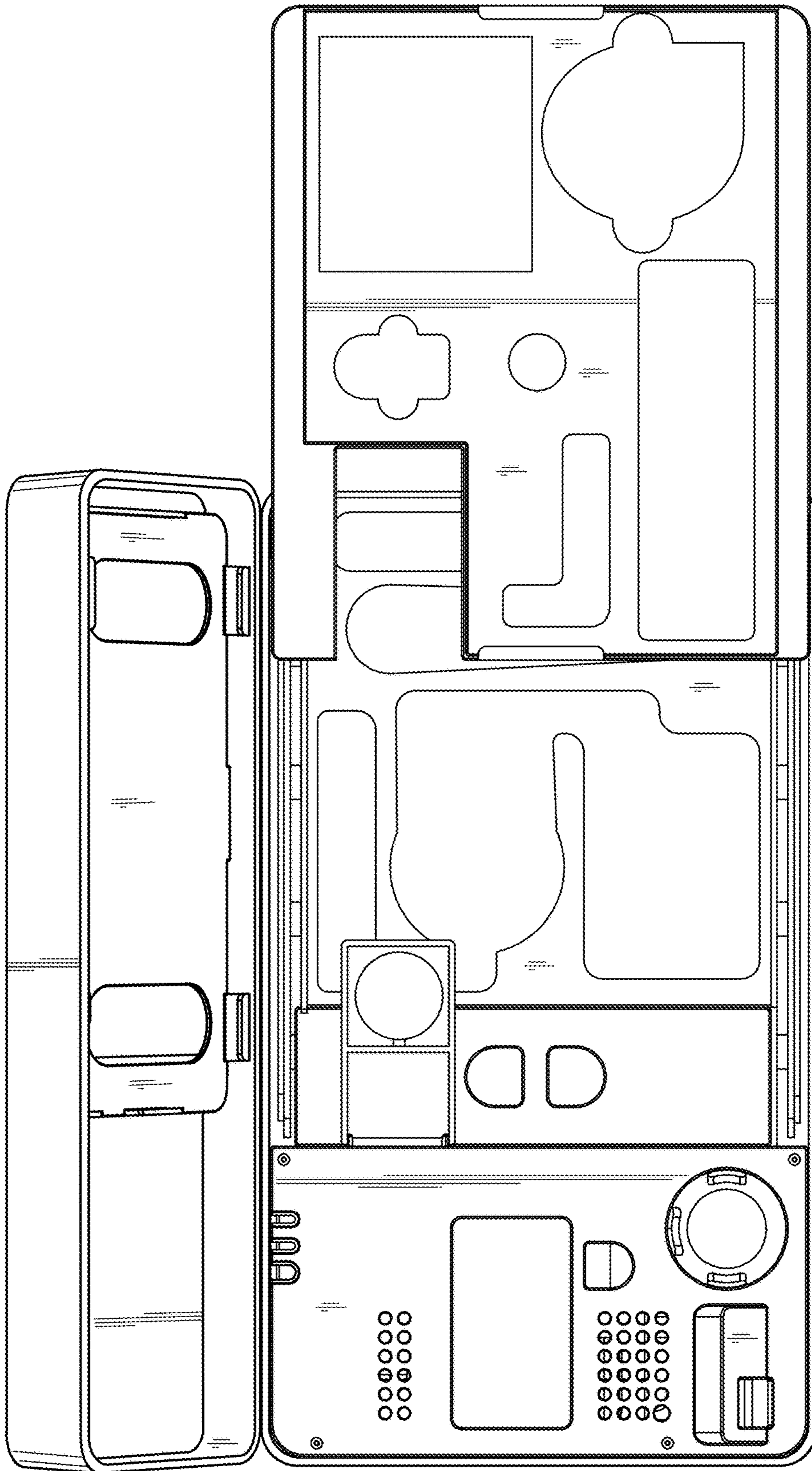


FIG. 18

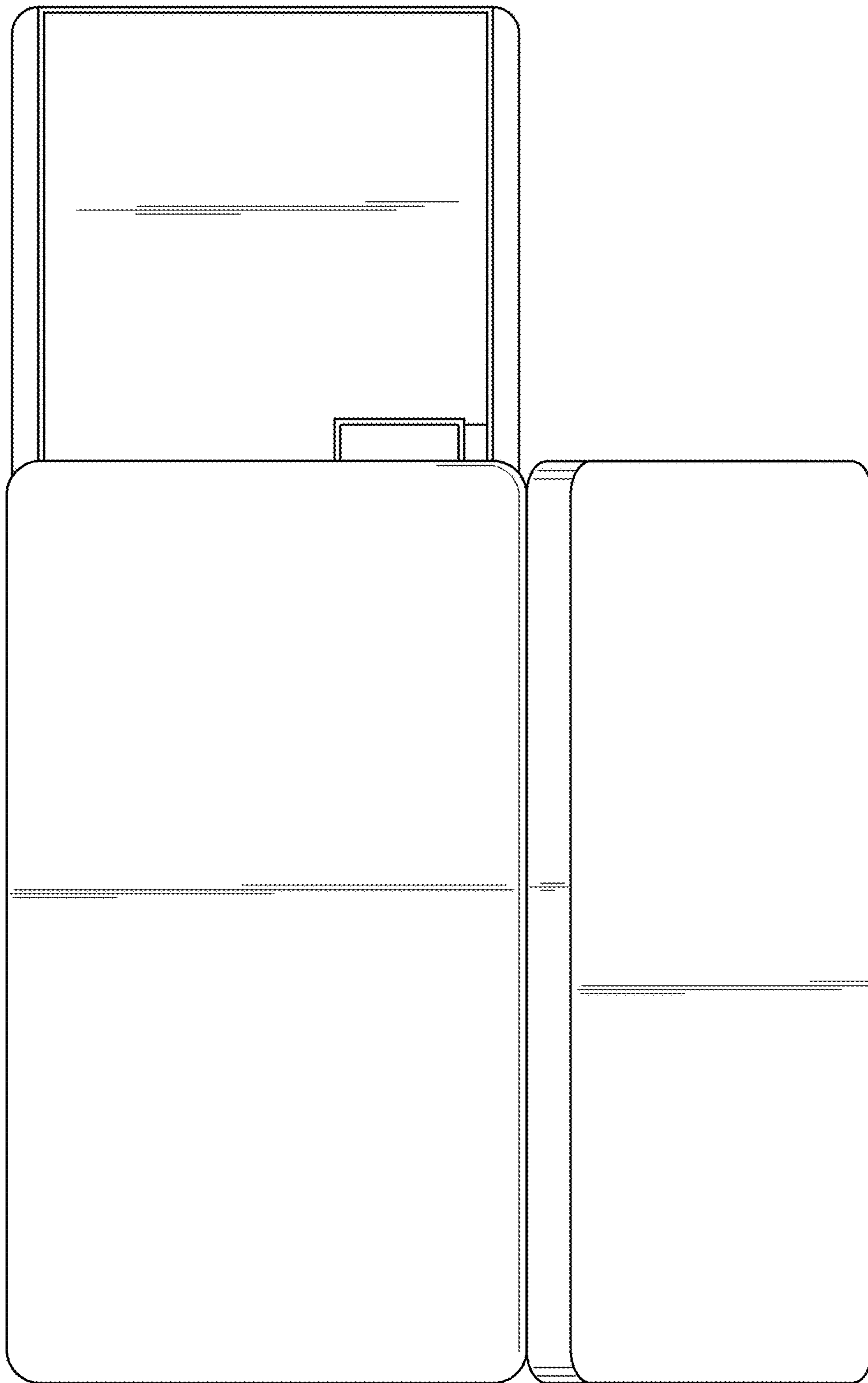


FIG. 19

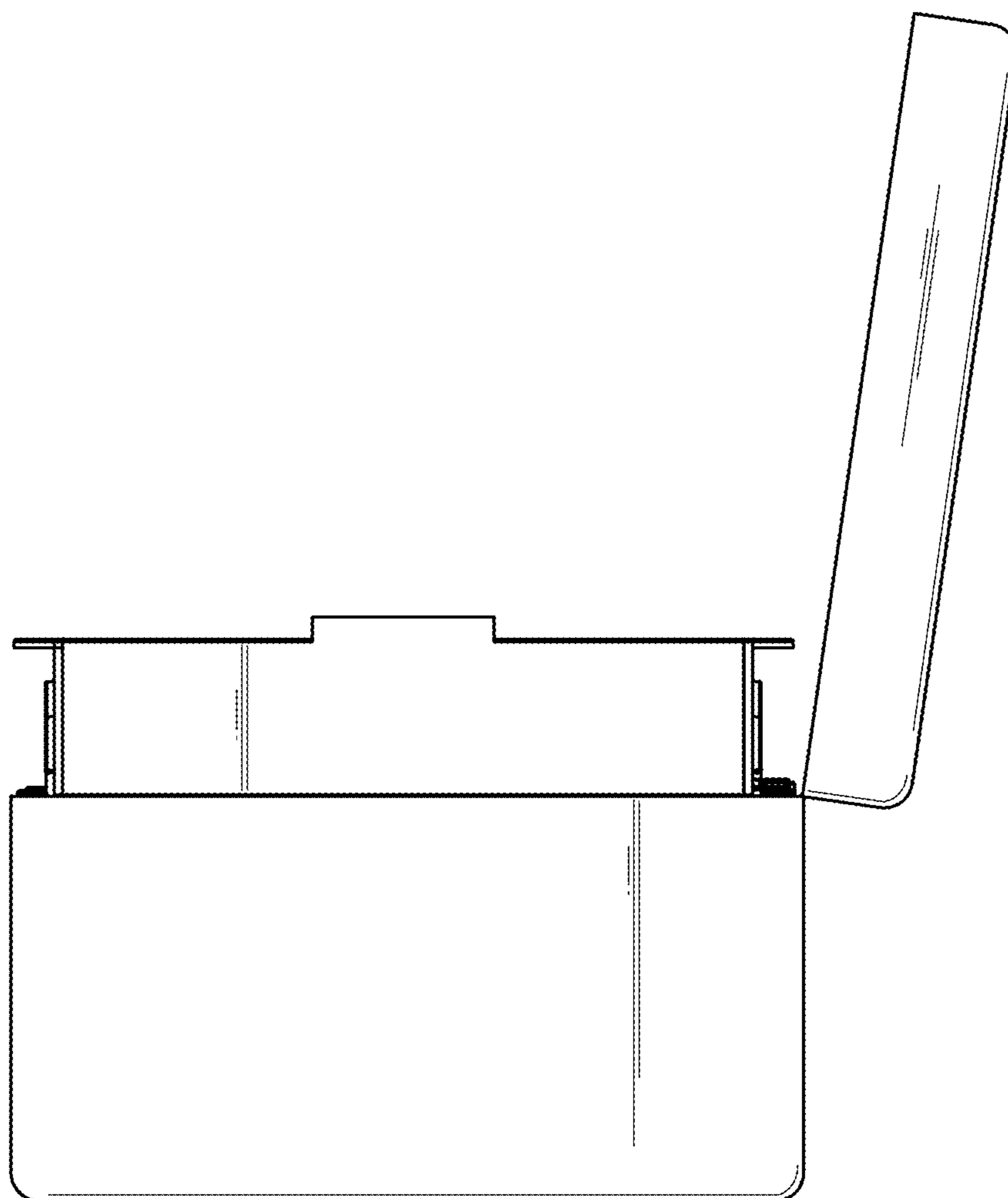


FIG. 20

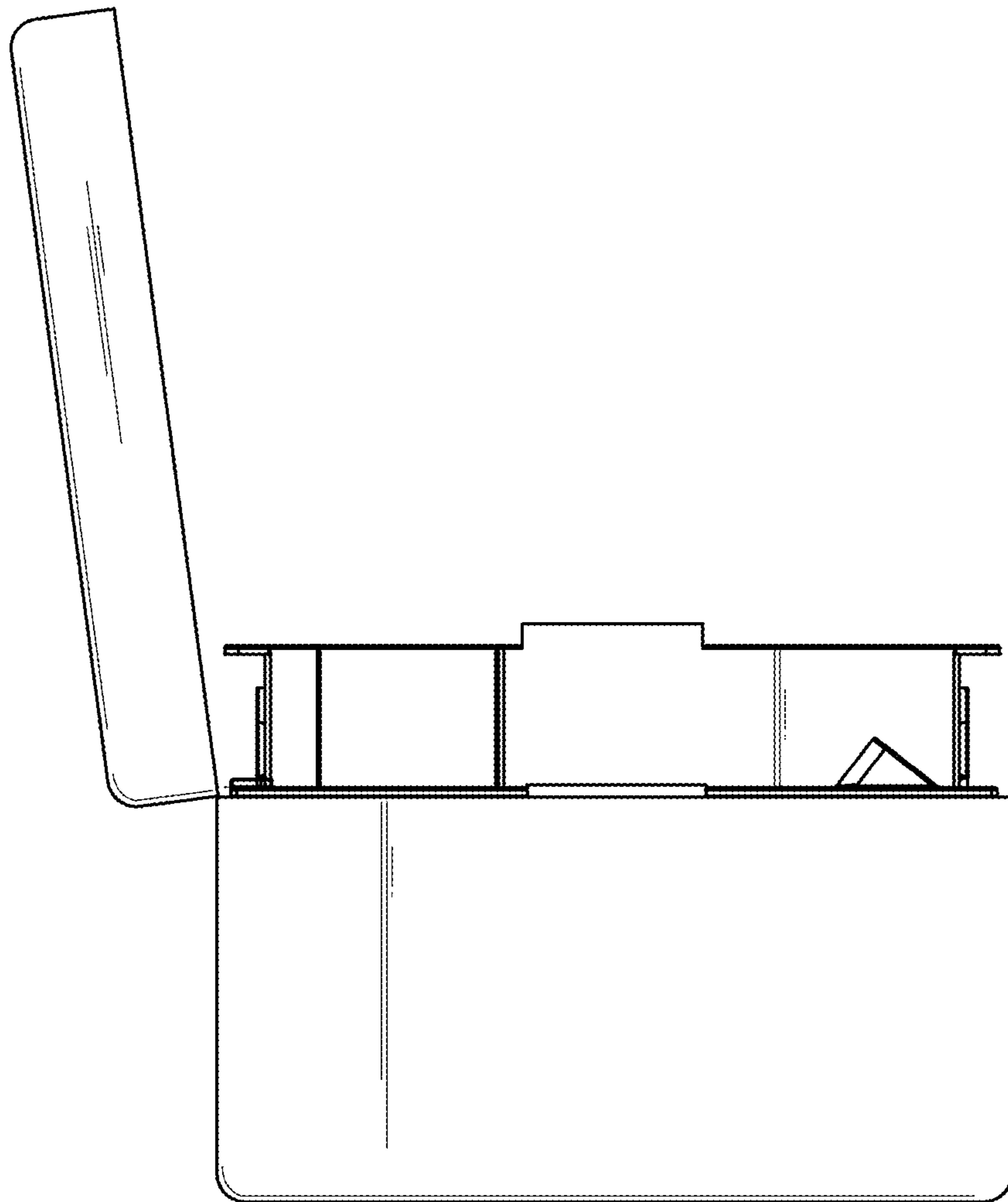


FIG. 21

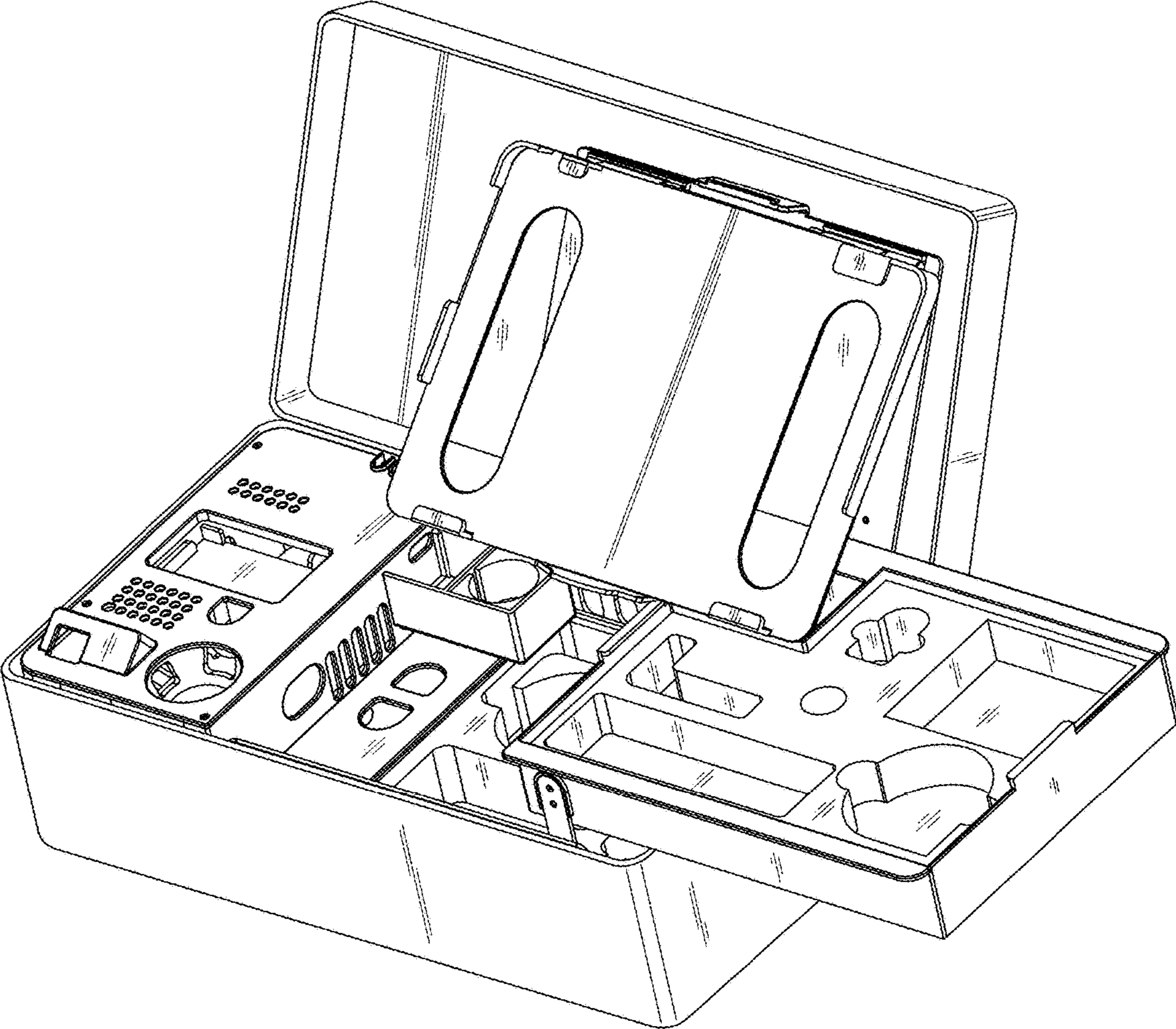


FIG. 22

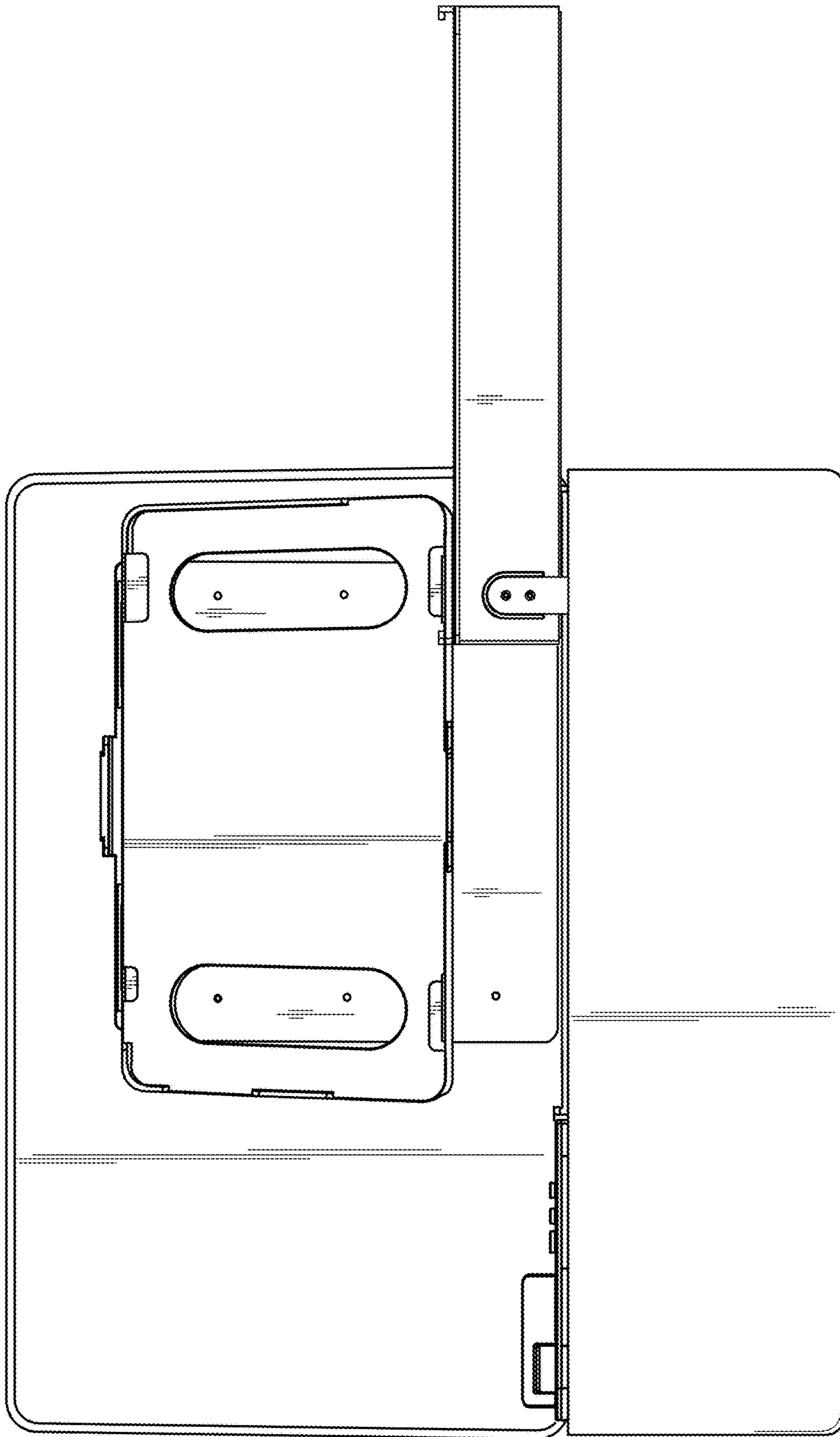


FIG. 23

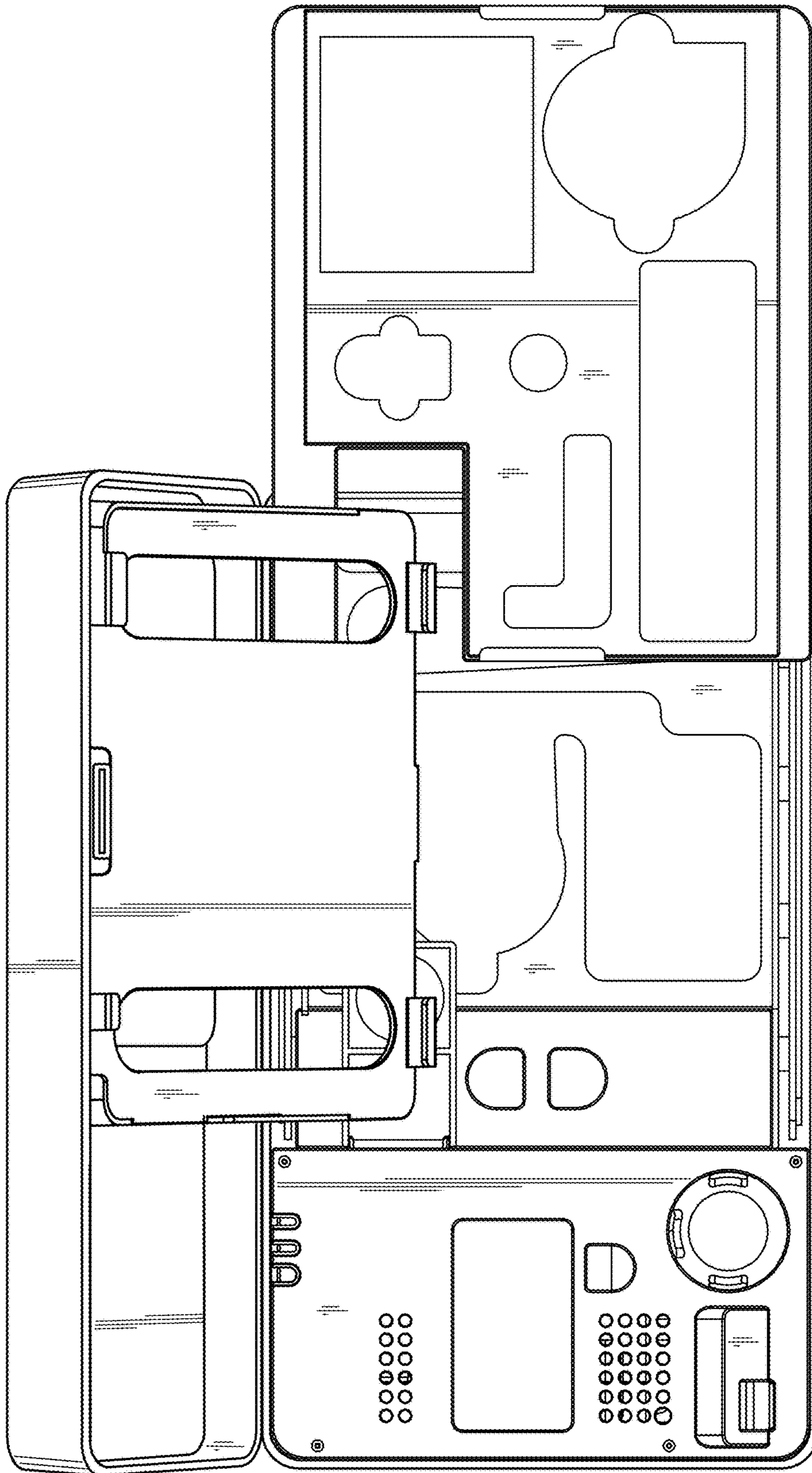


FIG. 24

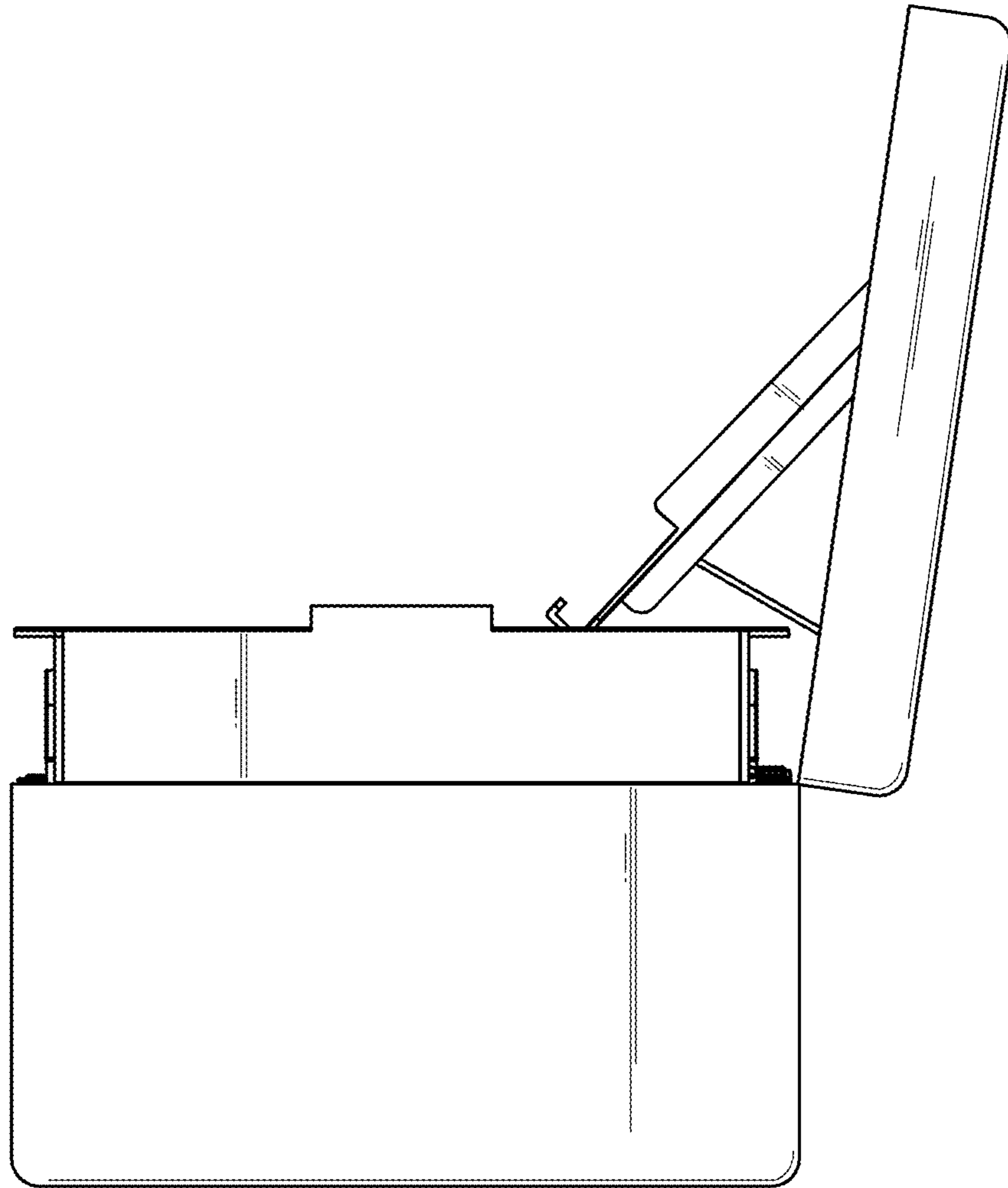


FIG. 25

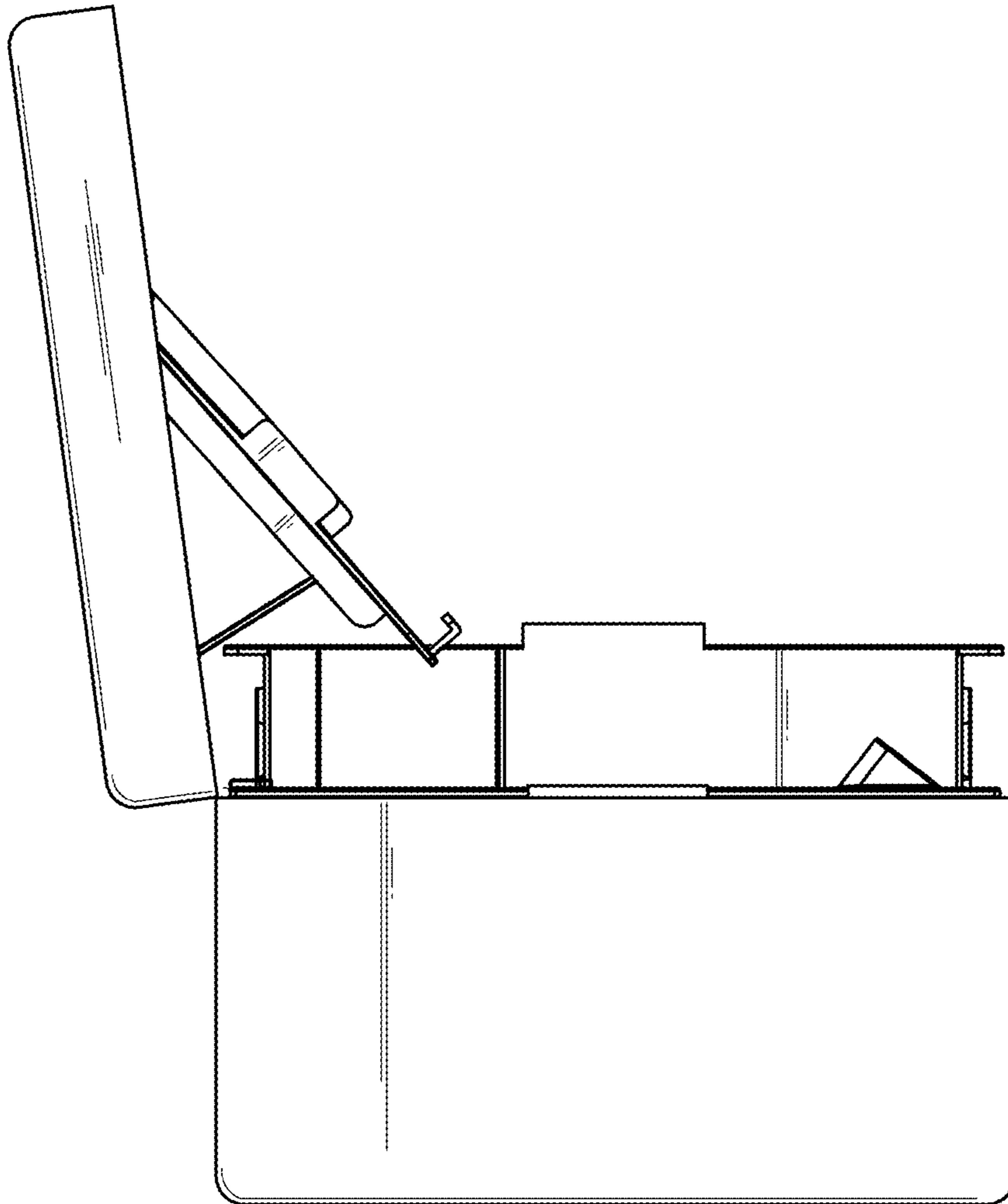


FIG. 26