



US00D804806S

(12) **United States Design Patent** (10) **Patent No.:** **US D804,806 S**
Stueckemann et al. (45) **Date of Patent:** **** Dec. 12, 2017**

(54) **MEDICATION CONTAINER**
(71) Applicant: **AbbVie Biotechnology Ltd.**, Hamilton (BM)
(72) Inventors: **Peter C. Stueckemann**, Libertyville, IL (US); **Max Bock-Aronson**, Minneapolis, MN (US); **Christopher Alan Harris**, Madison, WI (US)

D463,276 S 9/2002 Piscopo et al.
D463,907 S 10/2002 Lemoine
D464,791 S 10/2002 Lemoine
D503,037 S * 3/2005 Terronez D3/215
D512,830 S 12/2005 Higgins
D537,244 S 2/2007 Danechi
D546,016 S 7/2007 Boll et al.
D549,093 S 8/2007 Weakland
D561,989 S * 2/2008 Jones D3/201
(Continued)

(73) Assignee: **ABBVIE INC.**, North Chicago, IL (US)
(**) Term: **15 Years**

FOREIGN PATENT DOCUMENTS

CH 000128525-0010 5/2004
CH 000128525-0011 5/2004
(Continued)

(21) Appl. No.: **29/570,854**
(22) Filed: **Jul. 12, 2016**
(51) **LOC (10) Cl.** **03-01**
(52) **U.S. Cl.**
USPC **D3/203**
(58) **Field of Classification Search**
USPC D3/202, 203, 213, 214, 215, 201, 226,
D3/228, 224, 327, 229, 273, 290, 294,
D3/243, 245, 246, 266, 904, 304, 307,
D3/308, 309, 315; D7/509, 510, 511;
D9/455, 706, 707; D34/11
CPC . B65D 77/24; A45C 11/20; A45F 5/00; A45F
3/12; G10K 5/00
See application file for complete search history.

Primary Examiner — John Windmuller
Assistant Examiner — Benjamin Weeks
(74) *Attorney, Agent, or Firm* — McAndrews, Held & Malloy, Ltd.

(57) **CLAIM**

The ornamental design for a medication container, as shown and described.

DESCRIPTION

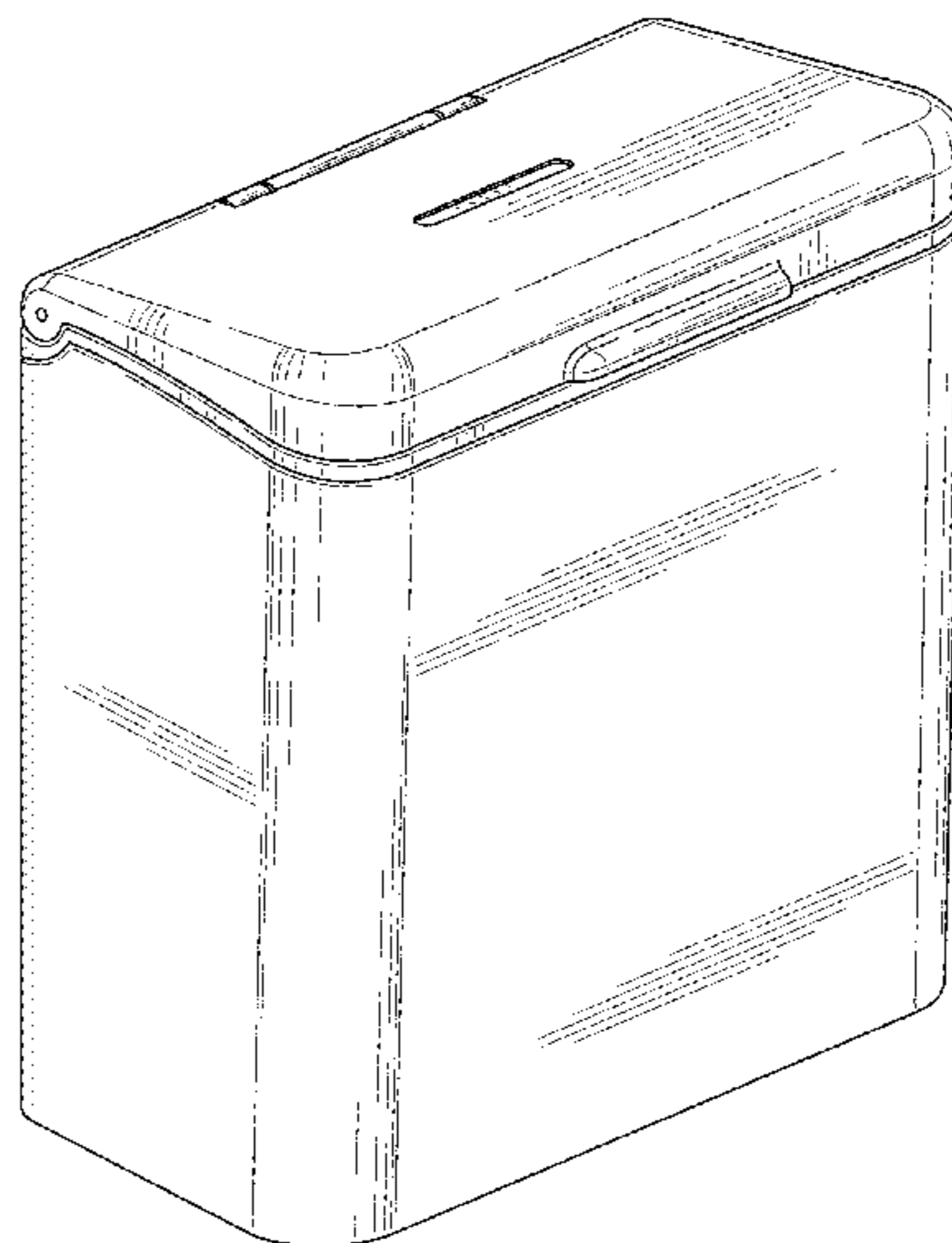
FIG. 1 is a top, front, left side perspective view of a medication container showing my new design;
FIG. 2 is a front elevational view thereof;
FIG. 3 is a rear elevational view thereof;
FIG. 4 is a right side elevational view thereof;
FIG. 5 is a left side elevational view thereof;
FIG. 6 is a top plan view thereof;
FIG. 7 is a bottom plan view thereof;
FIG. 8 is a bottom, rear, right side perspective view thereof; and,
FIG. 9 is a top, front, left side perspective view thereof, including unclaimed features.
The broken lines of FIGS. 7 through 9 form no part of the presently claimed design.

1 Claim, 7 Drawing Sheets

(56) **References Cited**

U.S. PATENT DOCUMENTS

5,065,887 A 11/1991 Schuh et al.
D386,001 S 11/1997 Saffran
D434,217 S * 11/2000 Packard D3/215
6,173,839 B1 * 1/2001 Dieter A45C 3/001
190/110
6,182,462 B1 * 2/2001 Bania A45C 11/20
62/264
D451,665 S * 12/2001 Phillips D3/202
D462,164 S * 9/2002 Phillips D3/202



(56)

References Cited

U.S. PATENT DOCUMENTS

D569,720 S 5/2008 Lablaine
 D571,197 S 6/2008 Sanfilippo et al.
 D578,385 S 10/2008 Ancona
 D580,120 S 11/2008 Lin
 D580,613 S 11/2008 Yang et al.
 D583,561 S 12/2008 Krusenstjerna
 D587,897 S * 3/2009 Radke D3/202
 D606,307 S * 12/2009 Gauss D3/215
 D634,911 S 3/2011 Yang et al.
 D656,823 S 4/2012 Kriegel
 D663,945 S 7/2012 Bouskill
 8,231,024 B2 7/2012 Sanfilippo et al.
 D675,803 S 2/2013 Yang et al.
 D675,918 S 2/2013 Holford
 D676,741 S 2/2013 van Landsveld et al.
 D678,057 S 3/2013 Holford
 D681,445 S 5/2013 van Landsveld et al.
 D725,860 S 3/2015 Spivey et al.
 D729,515 S * 5/2015 Slimane D3/242
 D741,593 S * 10/2015 Brown D3/202

D748,468 S 2/2016 Angeloni et al.
 2002/0121449 A1 9/2002 Bowie
 2009/0050495 A1 2/2009 Marcus et al.

FOREIGN PATENT DOCUMENTS

CH 000128525-0017 5/2004
 CH 000128525-0020 5/2004
 CH 000128525-0021 5/2004
 CH 001299531-0005 7/2013
 FI 002162628-0006 10/2013
 FI 002162628-0007 10/2013
 FI 002162628-0008 10/2013
 GB 000772389-0001 10/2007
 WO D031633-001 2/1995
 WO D050310 12/1999
 WO D050206 3/2000
 WO D057942 12/2001
 WO D060304 7/2002
 WO D070635 3/2011
 WO D072729 2/2012
 WO D070585 7/2015

* cited by examiner

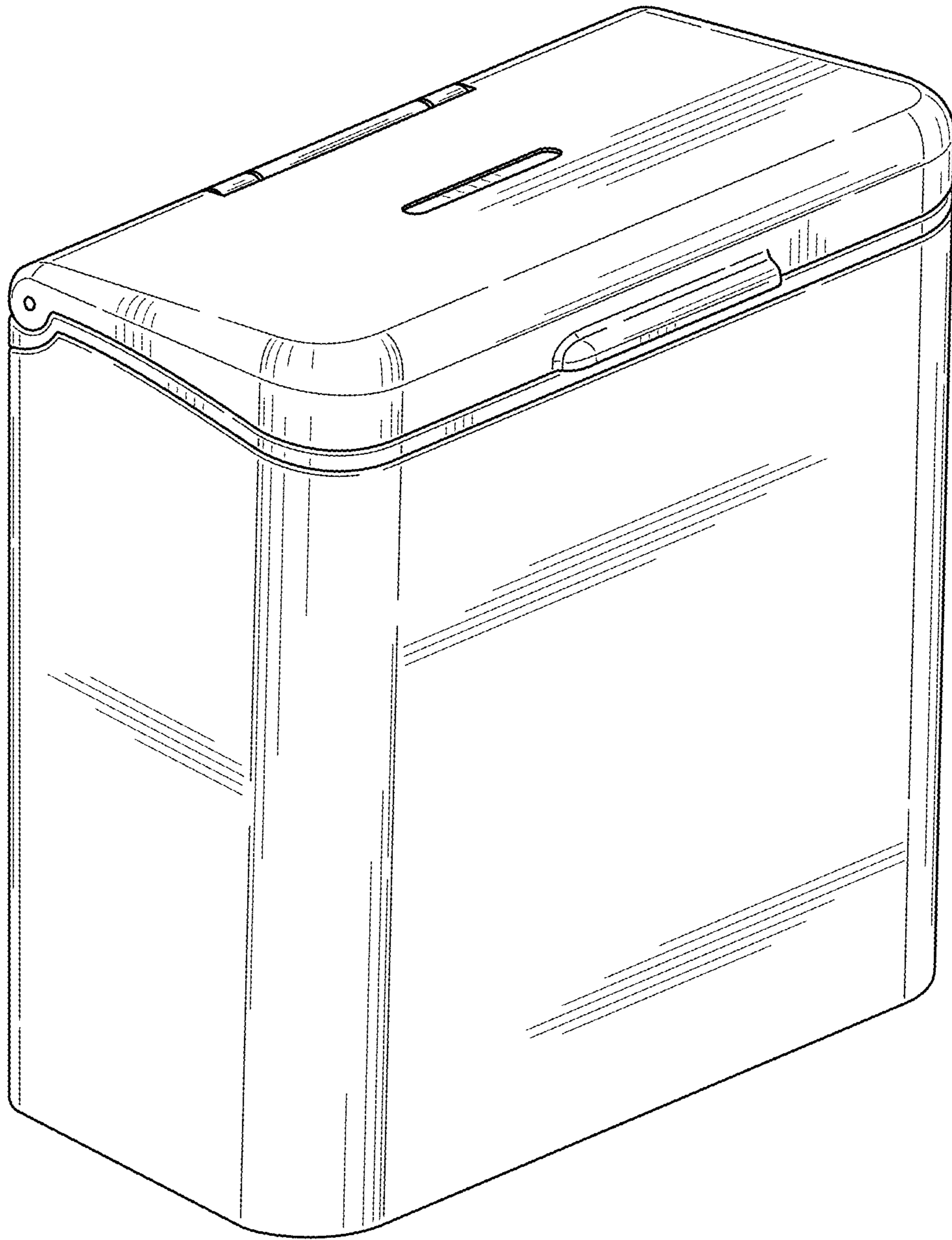


FIG. 1

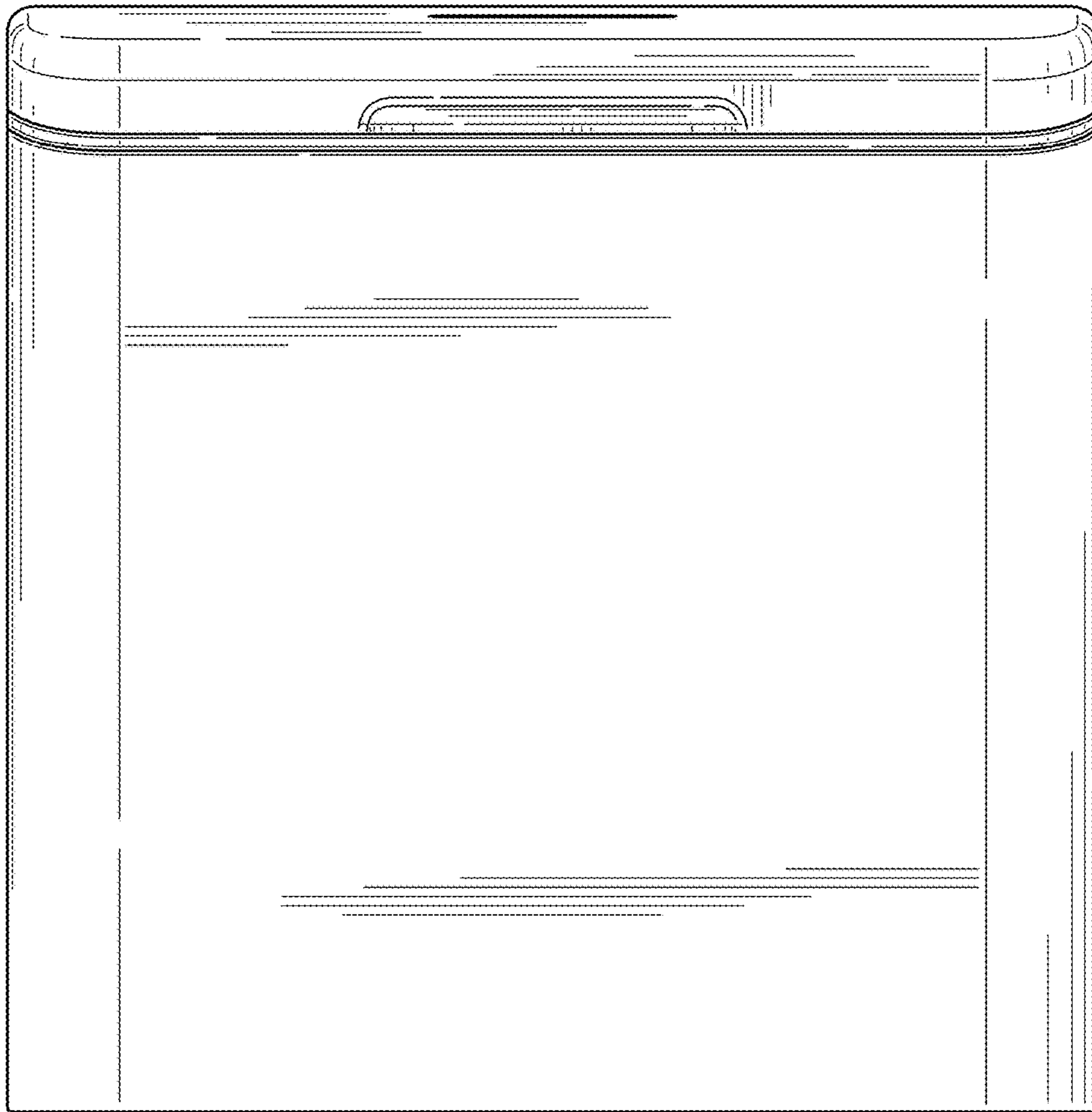


FIG. 2

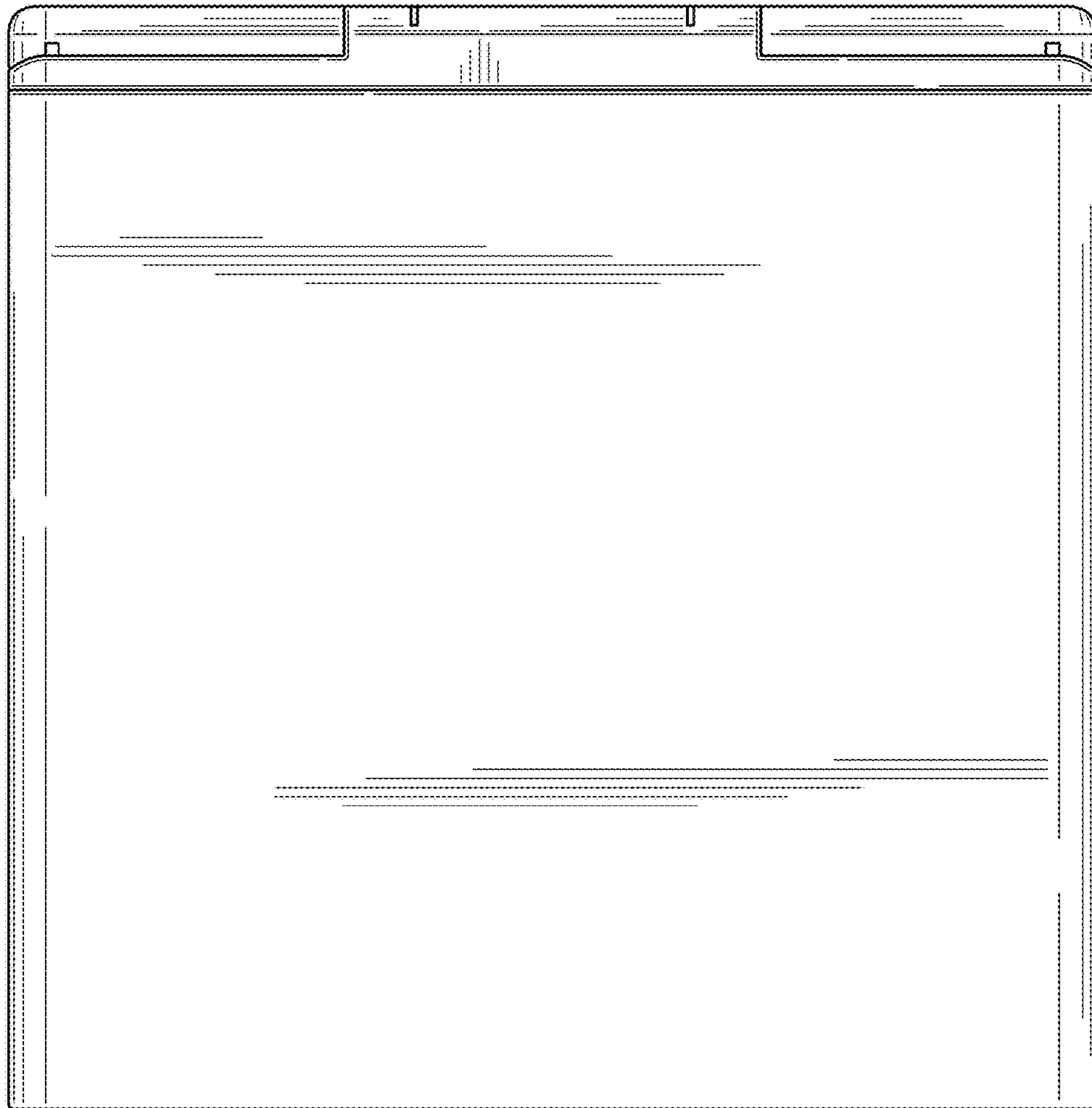


FIG. 3

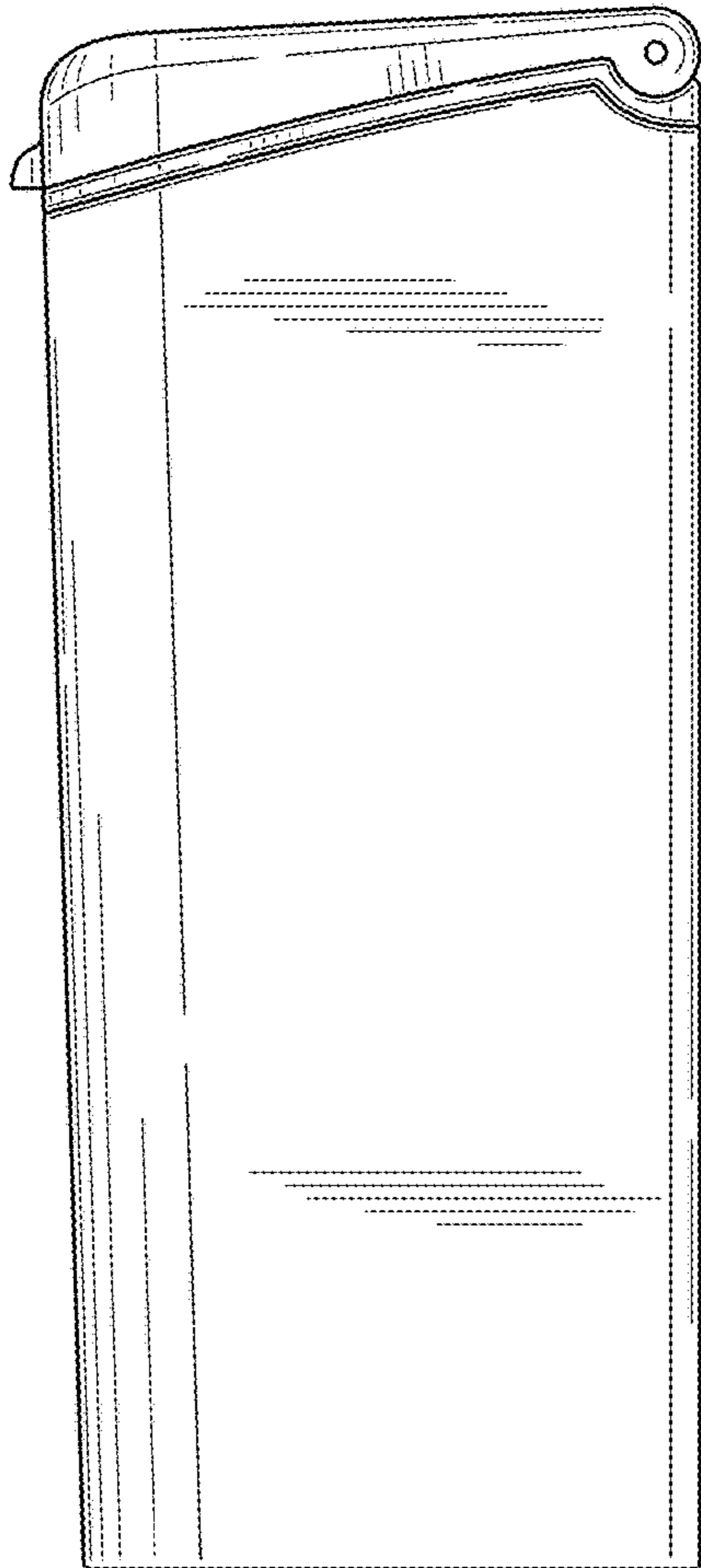


FIG. 4

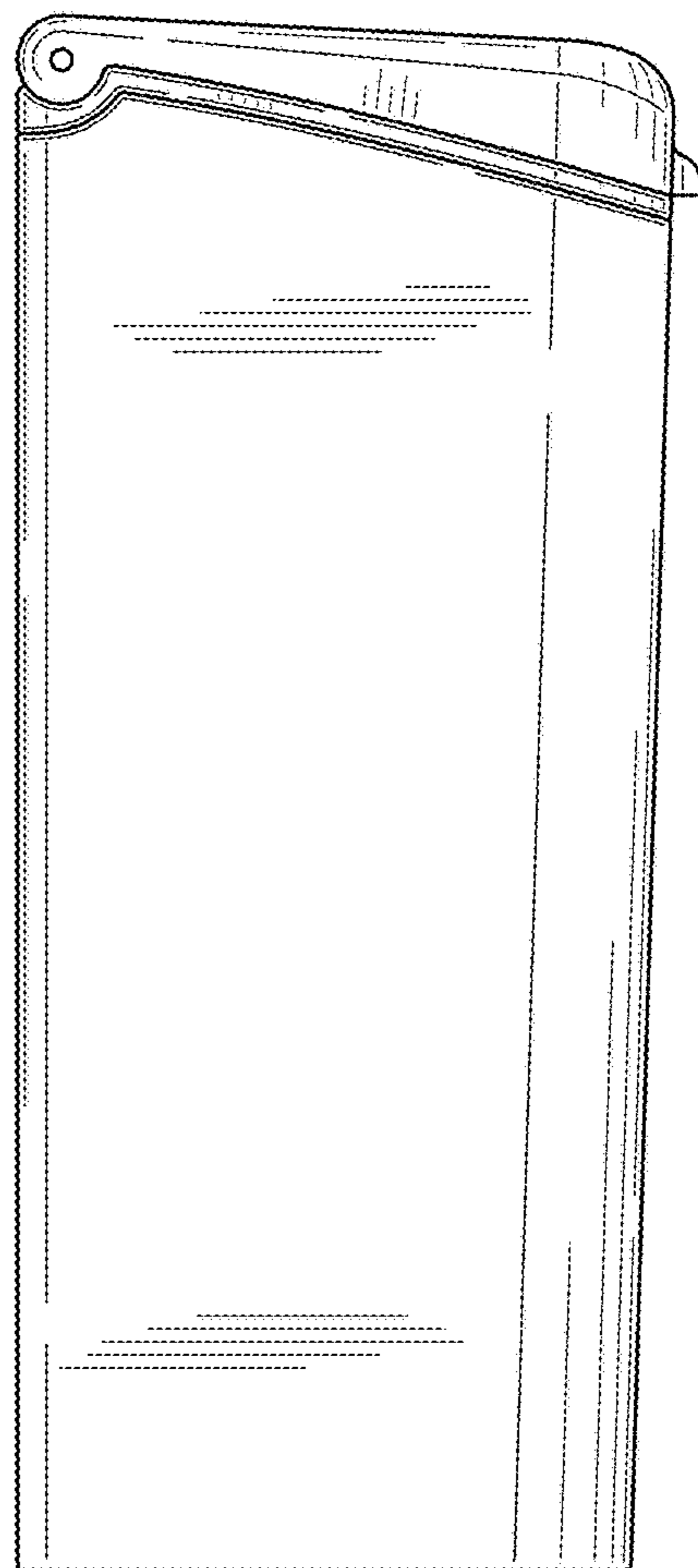


FIG. 5

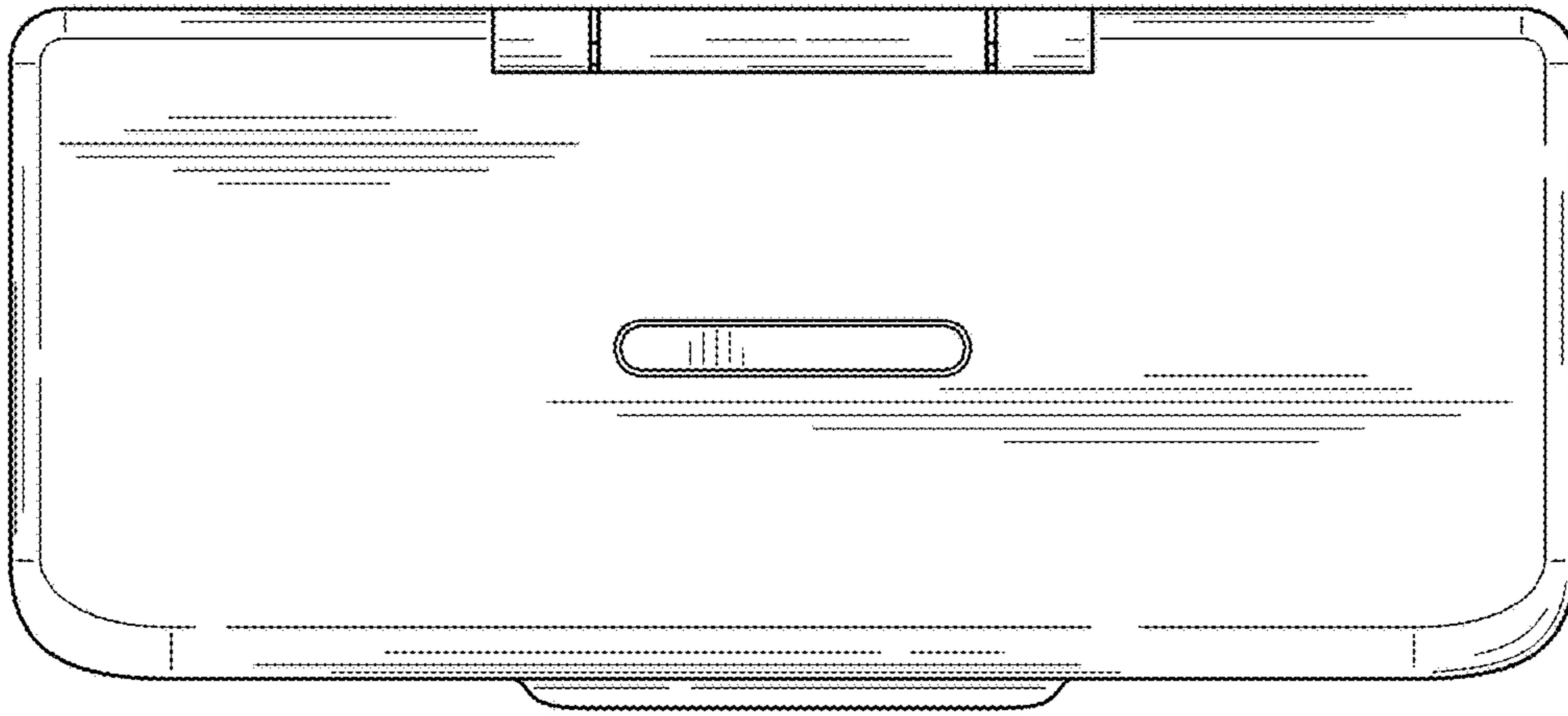


FIG. 6

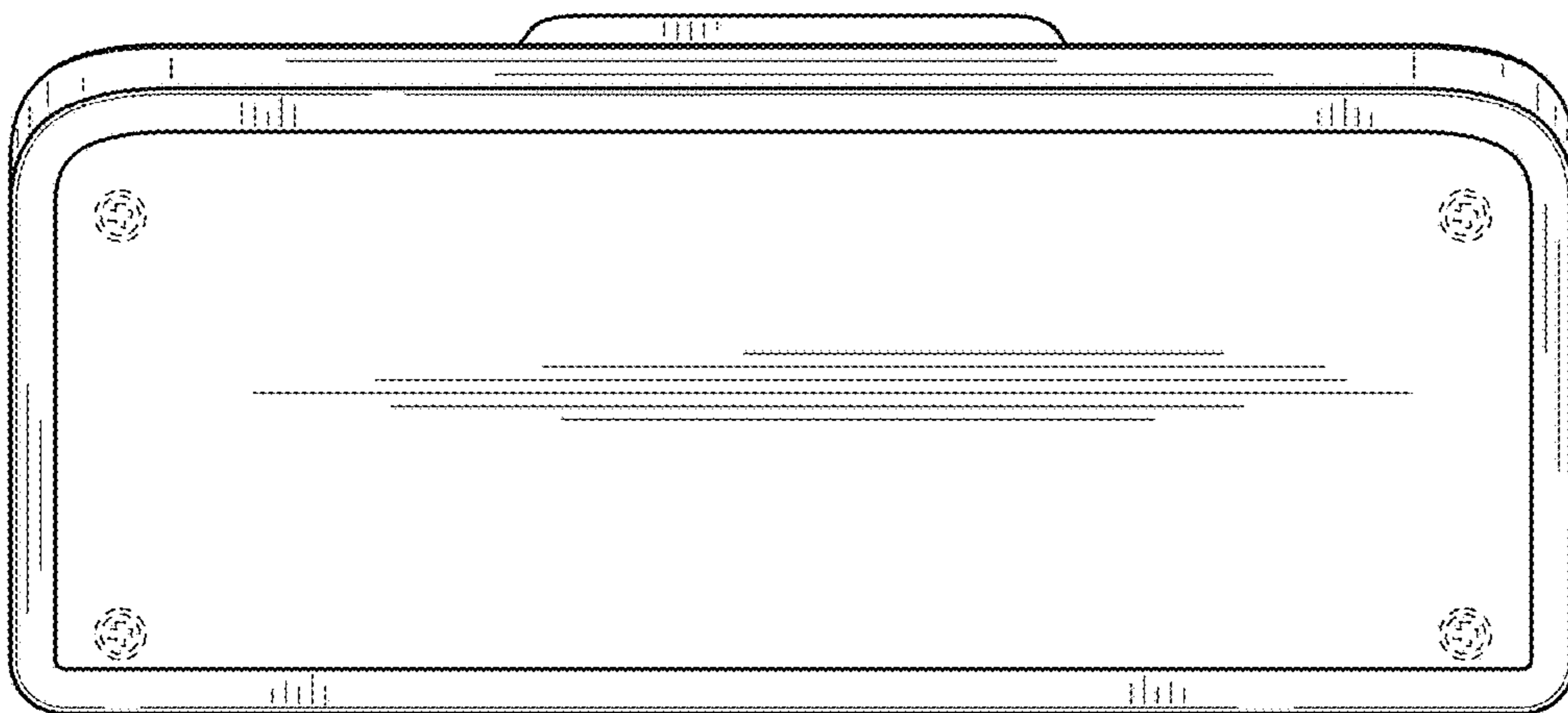


FIG. 7

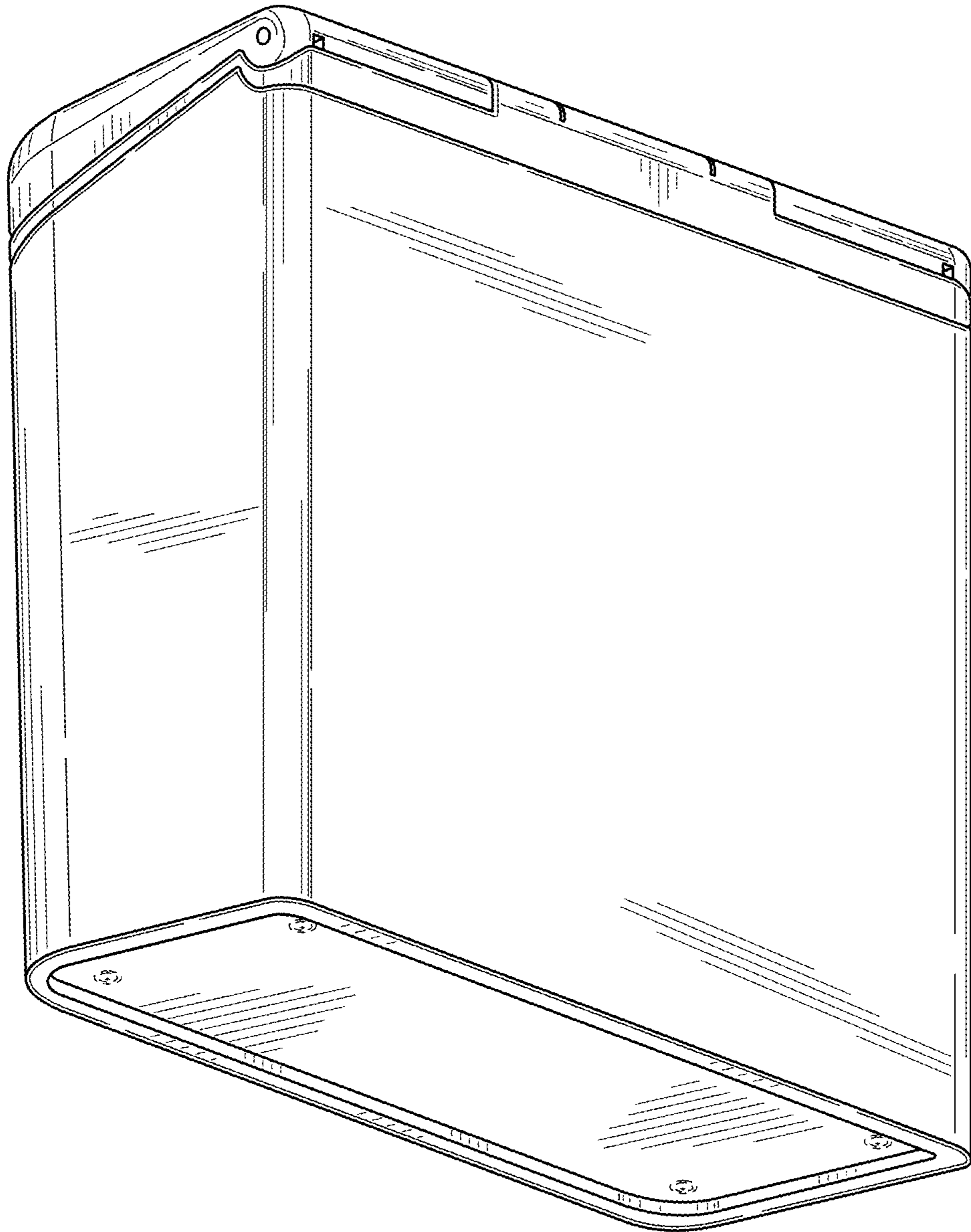


FIG. 8

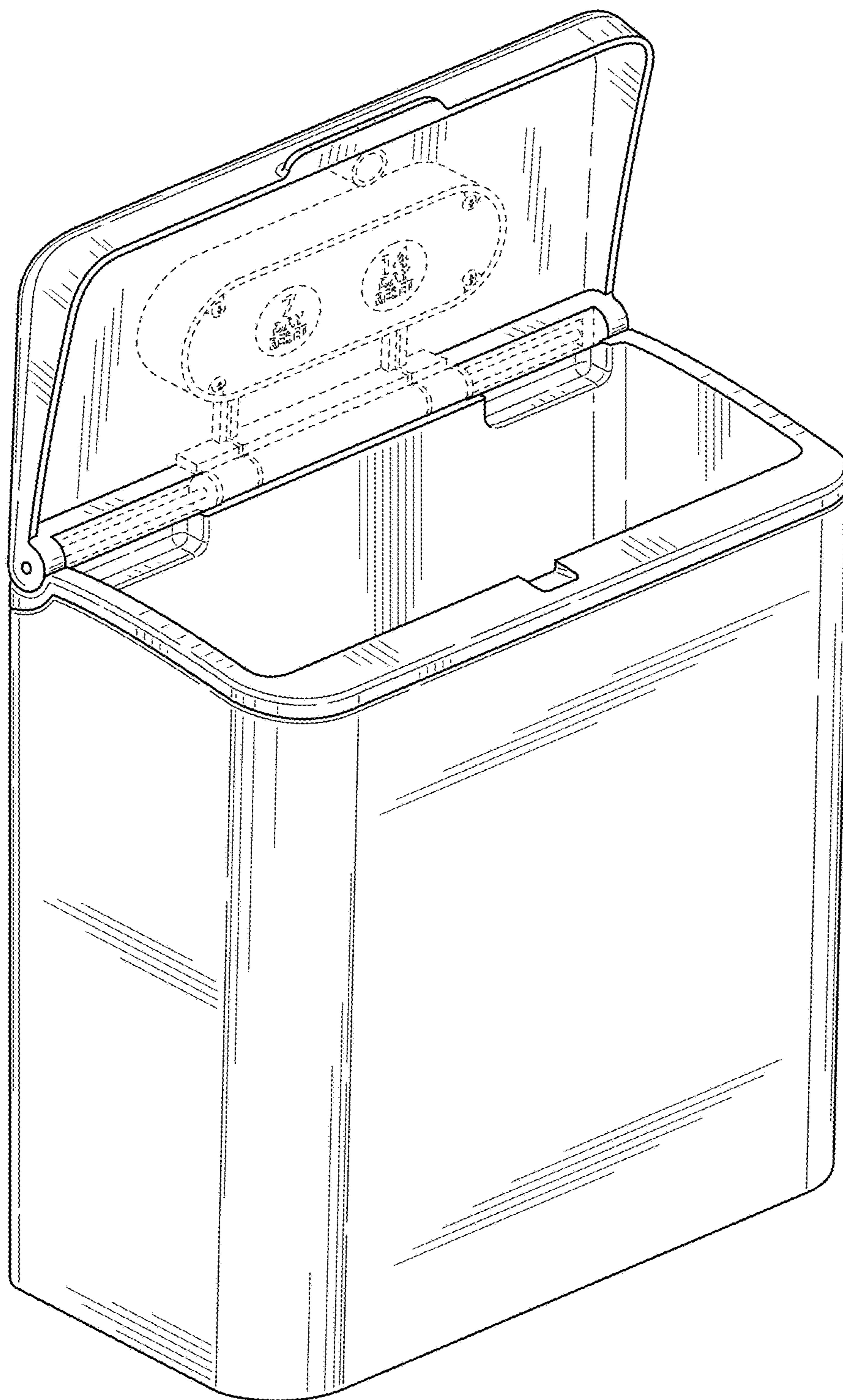


FIG. 9