



US00D804805S

(12) **United States Design Patent** (10) **Patent No.:** **US D804,805 S**
Gharabegian (45) **Date of Patent:** **** Dec. 12, 2017**

(54) **UMBRELLA STRUCTURE**
(71) Applicant: **SHADECRAFT, LLC**, Glendale, CA (US)
(72) Inventor: **Armen Sevada Gharabegian**, Glendale, CA (US)
(73) Assignee: **Shadecraft, Inc.**, Pasadena, CA (US)
(**) Term: **15 Years**
(21) Appl. No.: **29/588,023**
(22) Filed: **Dec. 16, 2016**
(51) **LOC (10) Cl.** **03-03**
(52) **U.S. Cl.**
USPC **D3/10**
(58) **Field of Classification Search**
USPC D3/5, 6, 10, 13, 14, 16; D6/691.4, 692.3, D6/712, 708.17
CPC ... A45B 11/00; A45B 3/00; A45B 2200/1009; A45B 25/02; A45B 25/18; A45B 19/04; A45B 2025/003; A47G 25/12; E04H 12/22
See application file for complete search history.

D349,397 S * 8/1994 Peng D3/10
D389,946 S * 1/1998 Hutton D26/110
6,554,012 B2 * 4/2003 Patarra A45B 3/00
135/16
6,837,255 B2 * 1/2005 Bunch A45B 3/04
135/16
6,923,193 B2 * 8/2005 Chen A45B 23/00
135/20.1
D581,705 S * 12/2008 Li D6/692.3
D600,004 S * 9/2009 Lai D3/10
7,726,326 B2 * 6/2010 O'Donnell A45B 1/00
135/16
D685,568 S * 7/2013 You D3/10
9,345,295 B2 * 5/2016 Li A45B 3/02
D759,367 S * 6/2016 Zaccaro D3/5
D770,756 S * 11/2016 Akin D3/5
2003/0000557 A1 * 1/2003 Lai A45B 3/04
135/15.1
2003/0000559 A1 * 1/2003 Wu A45B 3/04
135/16
2007/0283987 A1 * 12/2007 Reyes A45B 3/04
135/16
2016/0326765 A1 * 11/2016 Barbret E04H 15/02
2017/0055653 A1 * 3/2017 Pan A45B 25/00

* cited by examiner

Primary Examiner — John Windmuller
Assistant Examiner — Steven Czyz

(56) **References Cited**

U.S. PATENT DOCUMENTS

138,774 A * 5/1873 Whitcomb et al. E04H 15/46
135/114
2,485,118 A * 10/1949 Simpson A45B 23/00
135/20.3
RE25,414 E * 7/1963 Reineman et al. A47B 13/16
D6/708.17
D224,324 S * 7/1972 Wiggins et al. D6/686
D225,283 S * 11/1972 Axelrod et al. D6/677
D233,926 S * 12/1974 Sebel et al. D6/708.17
5,161,561 A * 11/1992 Jamieson A45B 3/00
108/94
5,273,062 A * 12/1993 Mozdzanowski A45B 3/00
135/16

(57) **CLAIM**

The ornamental design for an umbrella structure, as shown and described herein.

DESCRIPTION

FIG. 1 is a right side view of an umbrella structure;
FIG. 2 is a left side view thereof;
FIG. 3 is a front view thereof;
FIG. 4 is a back view thereof;
FIG. 5 is a bottom view thereof; and,
FIG. 6 is a top view thereof.

1 Claim, 6 Drawing Sheets



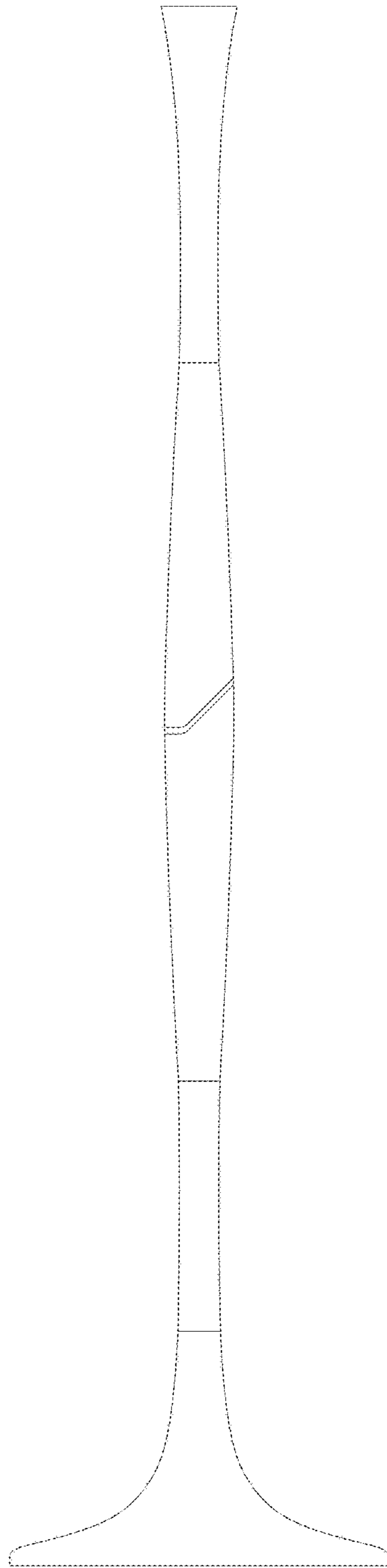


Figure 1

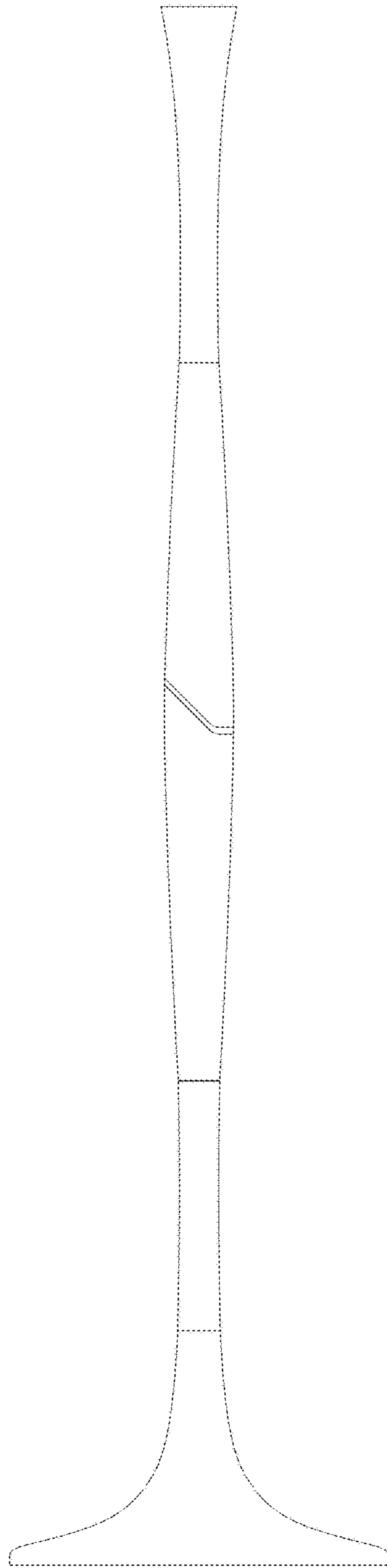


Figure 2

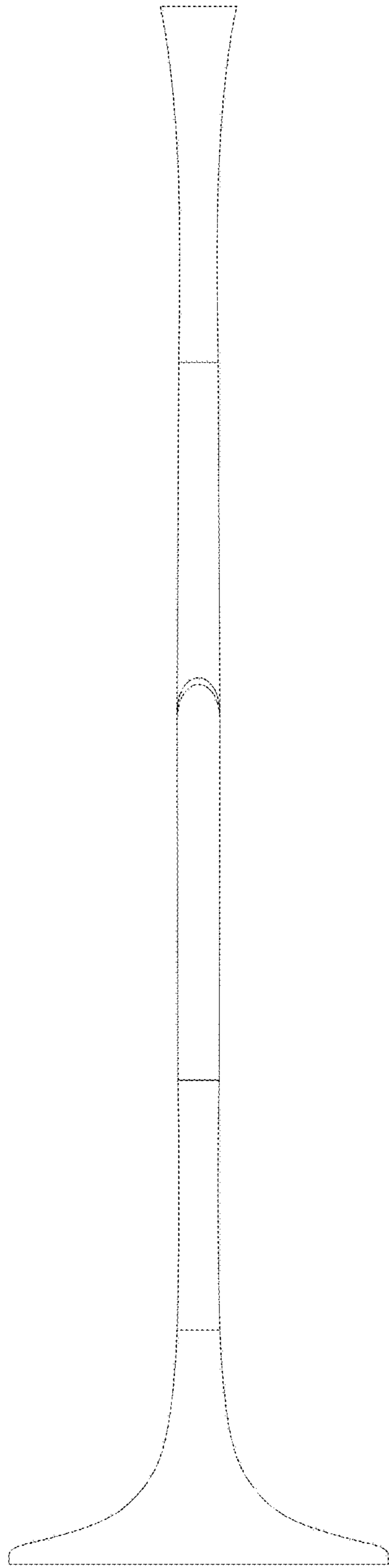


Figure 3

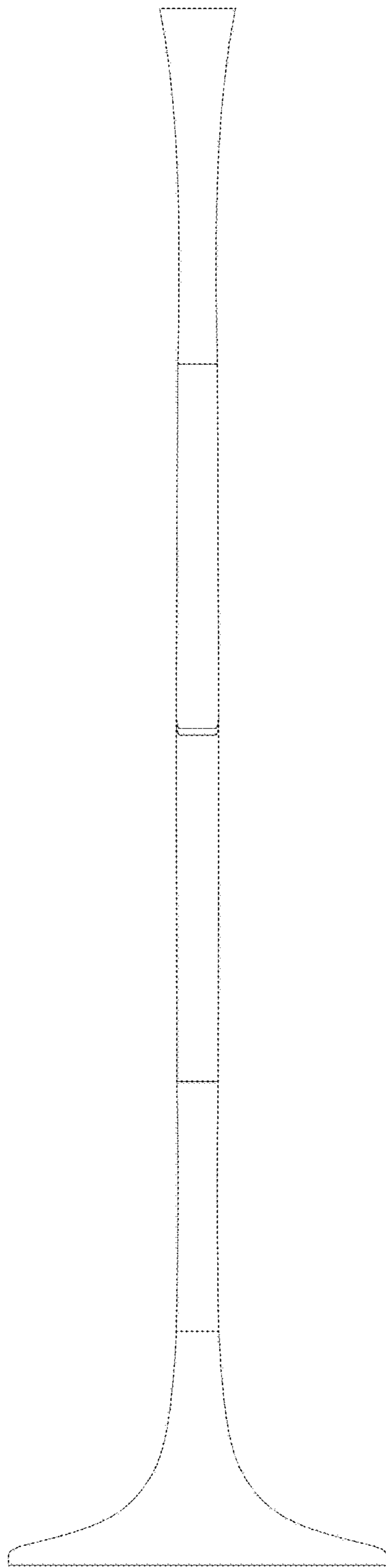


Figure 4

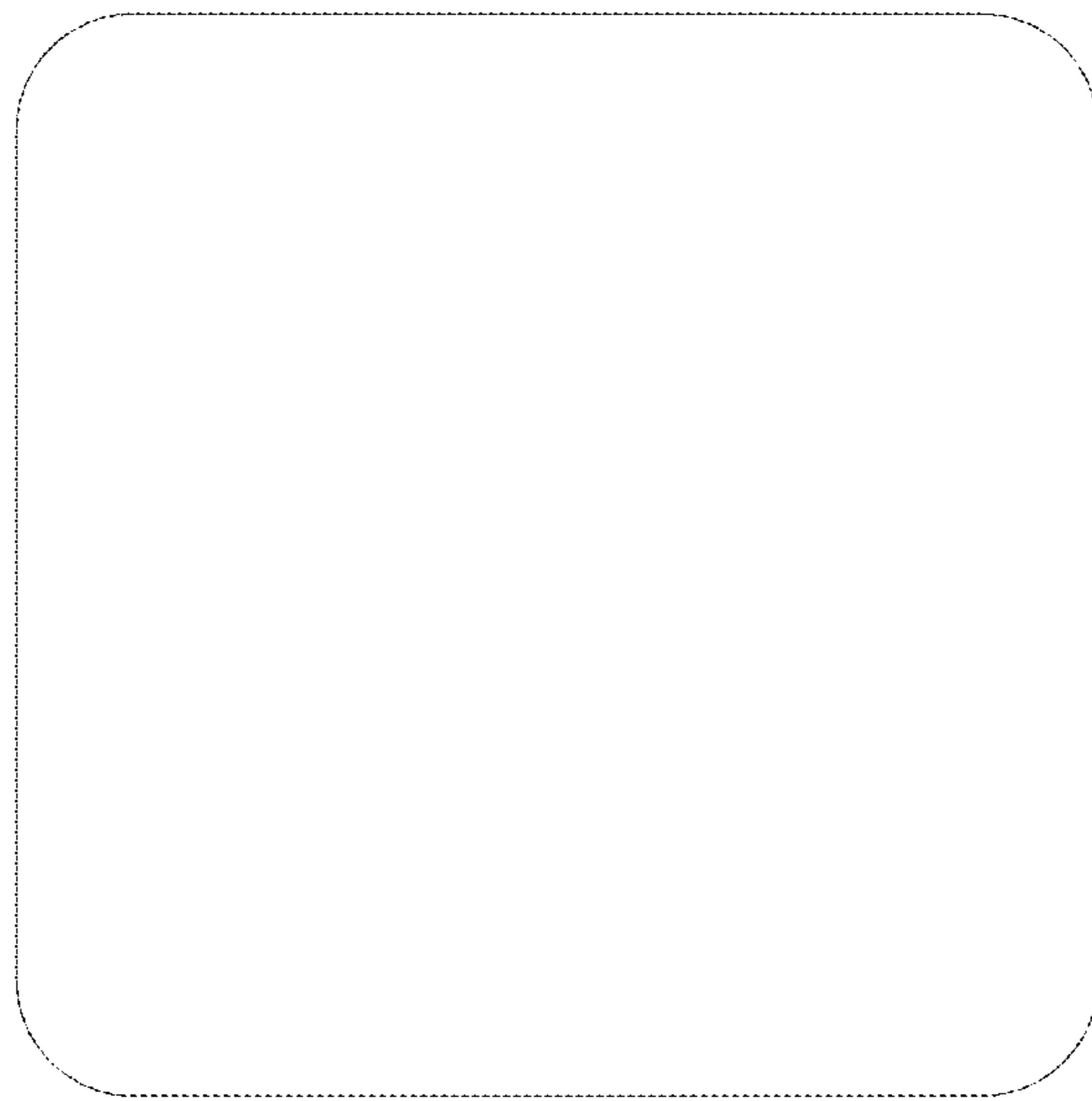


Figure 5

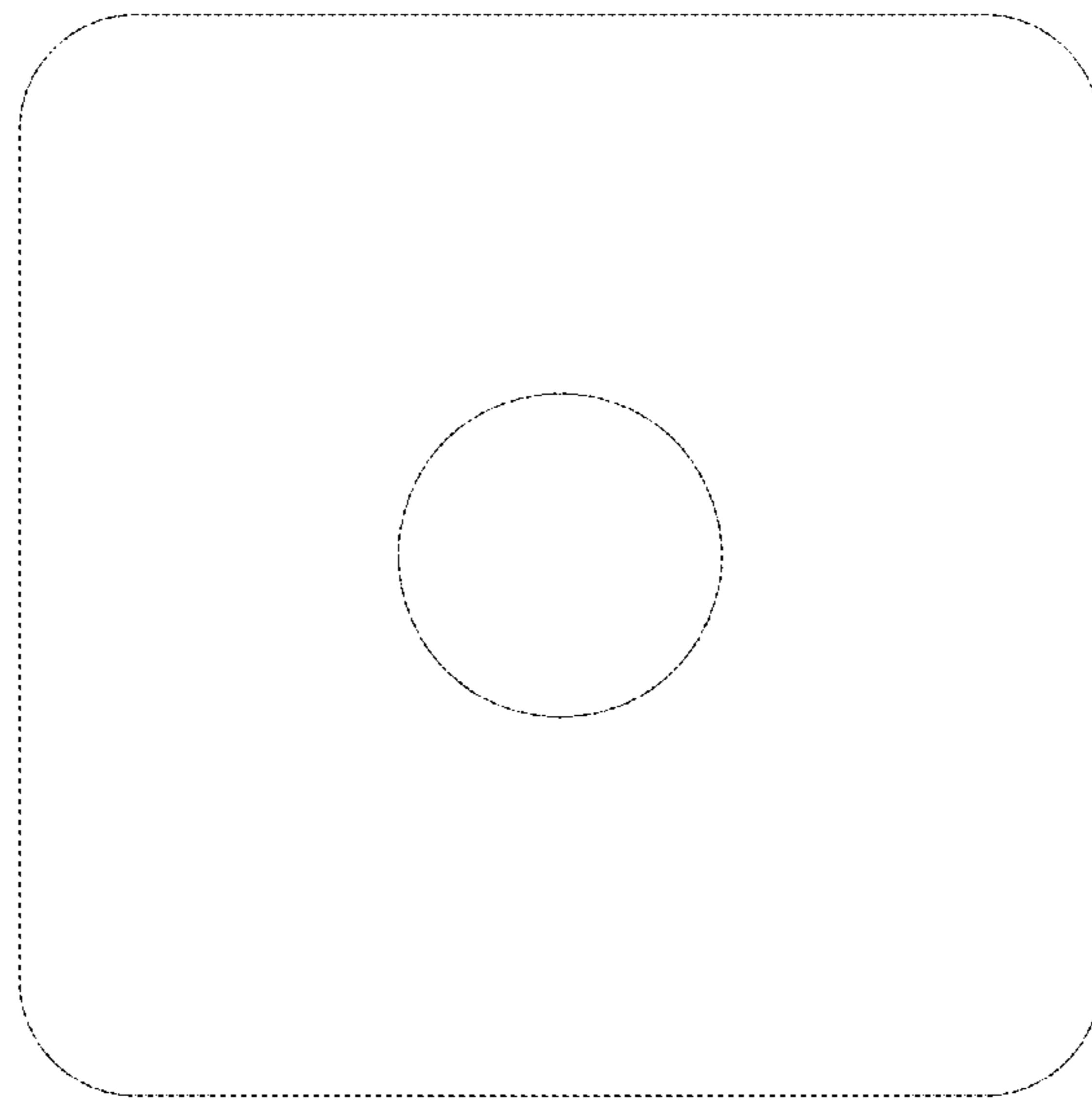


Figure 6