



US00D804795S

(12) **United States Design Patent** (10) **Patent No.:** **US D804,795 S**
Negri (45) **Date of Patent:** **** Dec. 12, 2017**

- (54) **HEEL FOR FOOTWEAR**
- (71) Applicant: **J. Choo Limited**, London (GB)
- (72) Inventor: **Francesca Negri**, London (GB)
- (73) Assignee: **J. Choo Limited**, London (GB)
- (**) Term: **15 Years**
- (21) Appl. No.: **29/584,562**
- (22) Filed: **Nov. 15, 2016**
- (51) **LOC (10) Cl.** **02-04**
- (52) **U.S. Cl.**
USPC **D2/965**
- (58) **Field of Classification Search**
USPC D2/896, 909, 910, 946, 964, 965
CPC .. A43B 1/00; A43B 1/10; A43B 21/00; A43B 21/02; A43B 21/025; A43B 21/03; A43B 21/04; A43B 21/06; A43B 21/08; A43B 21/18; A43B 21/20; A43B 21/22; A43B 21/24; A43B 21/36; A43B 21/54
See application file for complete search history.

- D662,297 S * 6/2012 Ringholz D2/965
- D666,402 S * 9/2012 Healy D2/965
- D677,870 S * 3/2013 Healy D2/965
- D728,211 S * 5/2015 Kirkwood D2/965
- D741,056 S * 10/2015 de Baere D2/964
- D749,311 S * 2/2016 Morell D2/965

* cited by examiner

Primary Examiner — Elizabeth J Oswecki
(74) *Attorney, Agent, or Firm* — Fross, Zelnick, Lehrman & Zissu, P.C.; Lawrence E. Apolzon, Esq.

(57) **CLAIM**

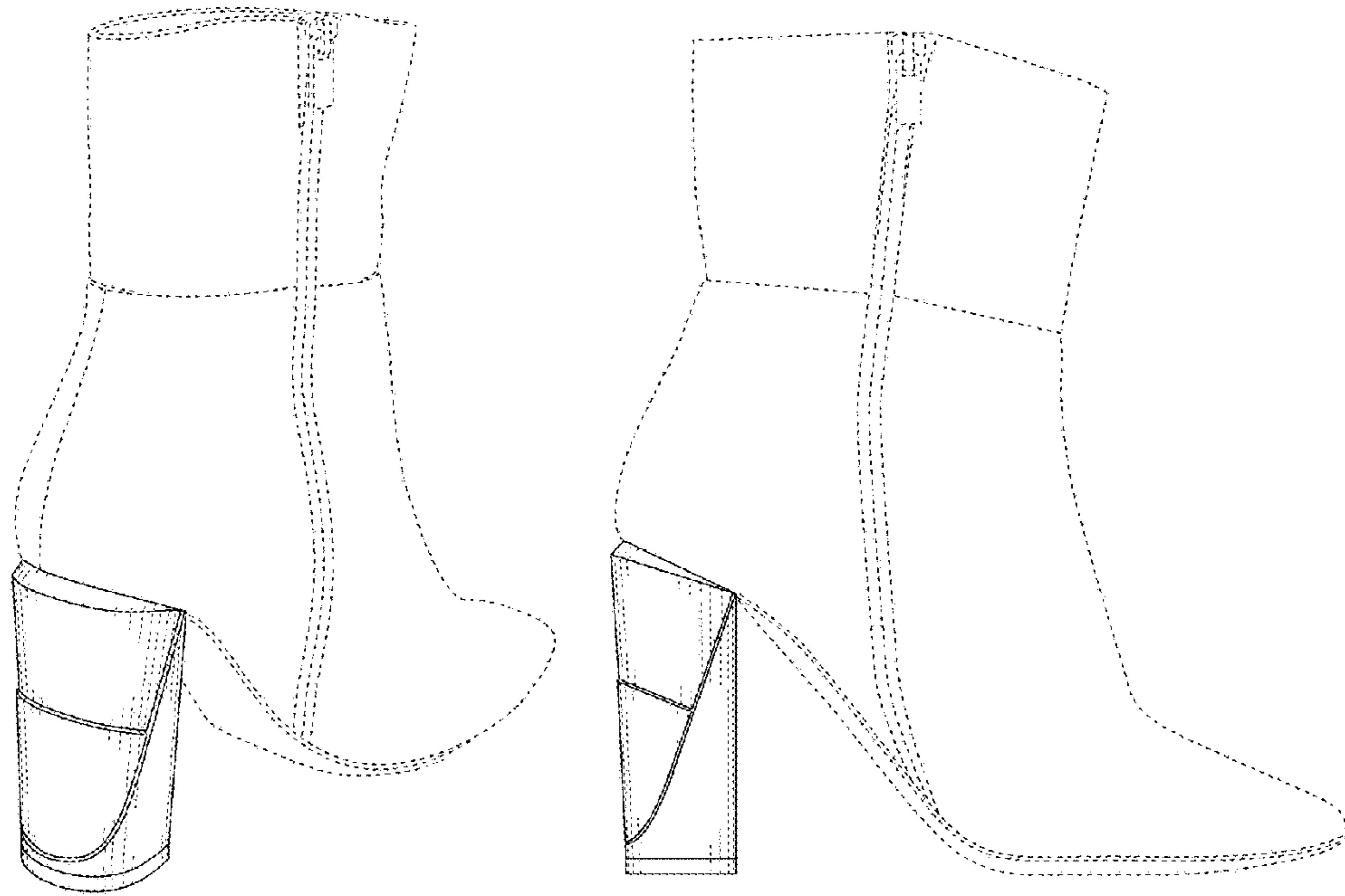
The ornamental design for a heel for footwear, as shown and described.

DESCRIPTION

FIG. 1 is a perspective view of a first embodiment of a heel for footwear showing my new design;
 FIG. 2 is a left side view thereof;
 FIG. 3 is a right side view thereof;
 FIG. 4 is a front view thereof;
 FIG. 5 is a rear view thereof;
 FIG. 6 is a top view thereof;
 FIG. 7 is a bottom view thereof;
 FIG. 8 is a perspective view of a second embodiment of a heel for footwear showing my new design;
 FIG. 9 is a left side view thereof;
 FIG. 10 is a right side view thereof;
 FIG. 11 is a front view thereof;
 FIG. 12 is a rear view thereof;
 FIG. 13 is a top view thereof; and,
 FIG. 14 is a bottom view thereof.
 The broken line showing of the sole, footbed, portions of the upper, straps, buckles, buckle holes, zipper, and zipper track in the drawings shows unclaimed subject matter.

- (56) **References Cited**
U.S. PATENT DOCUMENTS
- 2,235,256 A * 3/1941 Elliott A43B 21/24
36/34 R
- 2,489,018 A * 11/1949 Dodge A43B 3/16
36/1
- D189,742 S 2/1961 Slade
- D201,863 S * 8/1965 Goldberg 36/34 R
- D563,638 S 3/2008 Guers-Neyraud
- D590,143 S 4/2009 Guers-Neyraud
- D605,840 S * 12/2009 Schwartz D2/965
- D647,291 S * 10/2011 Ringholz D2/965
- D655,486 S 3/2012 Guers-Neyraud

1 Claim, 10 Drawing Sheets



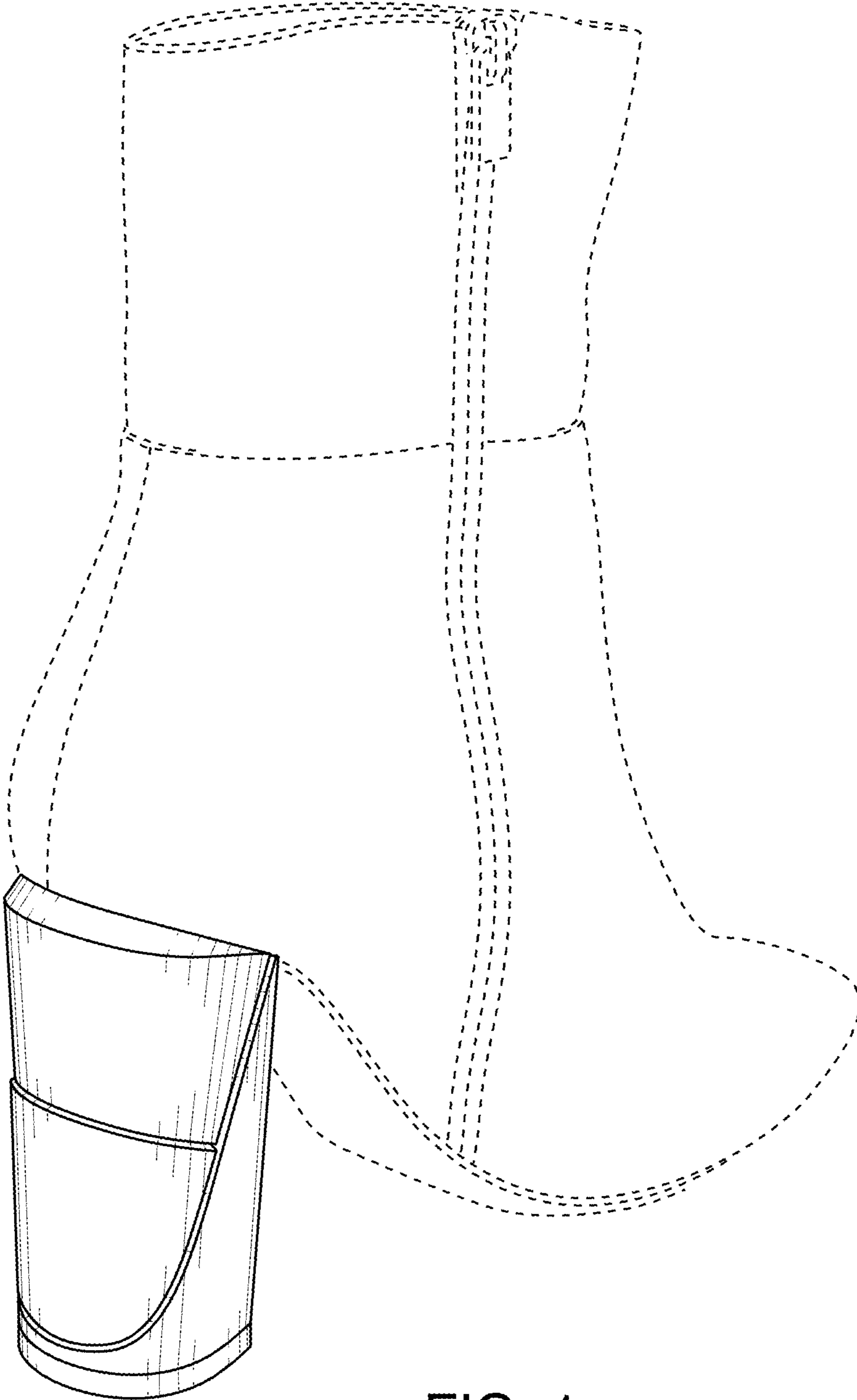


FIG. 1

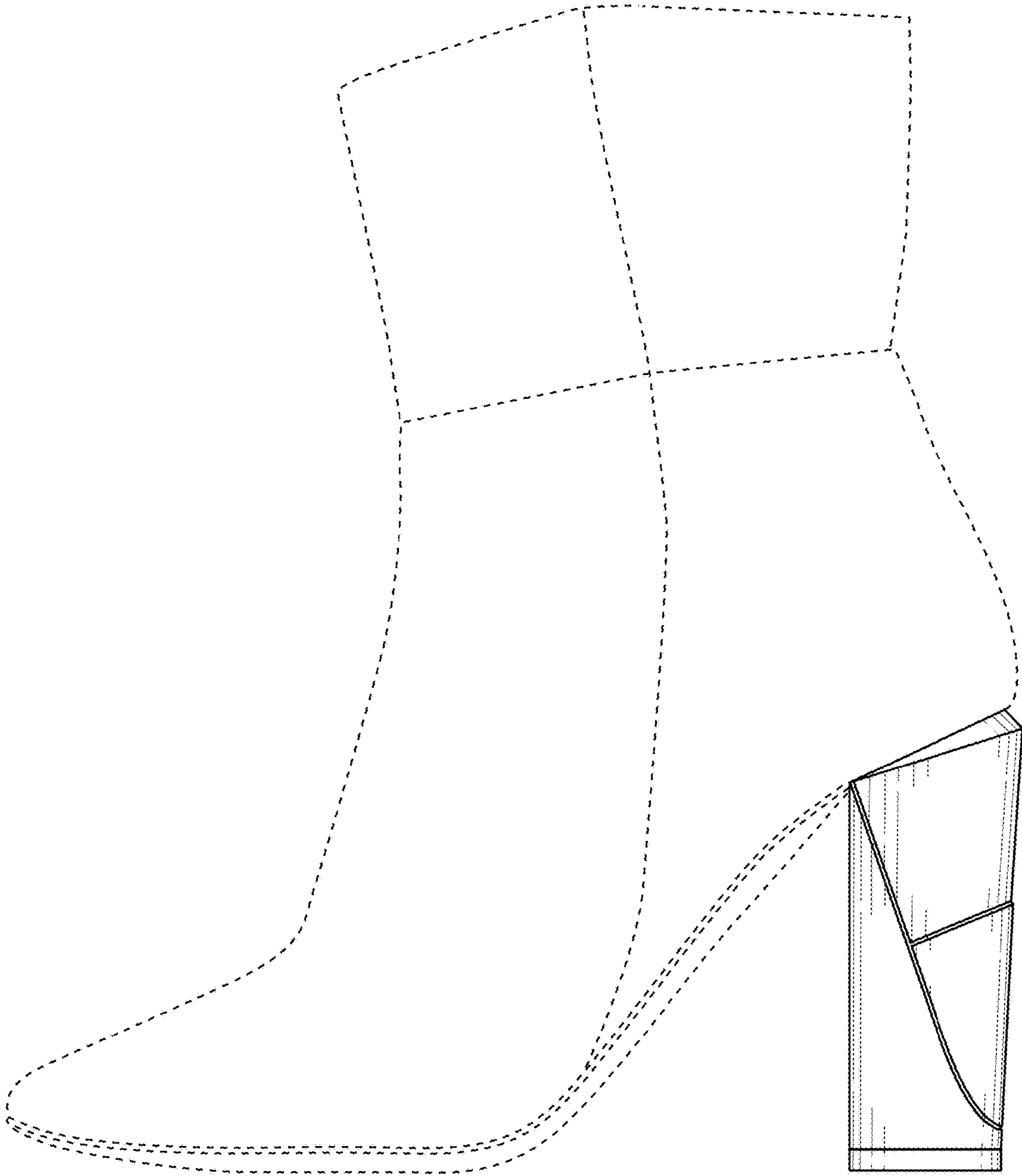


FIG. 2

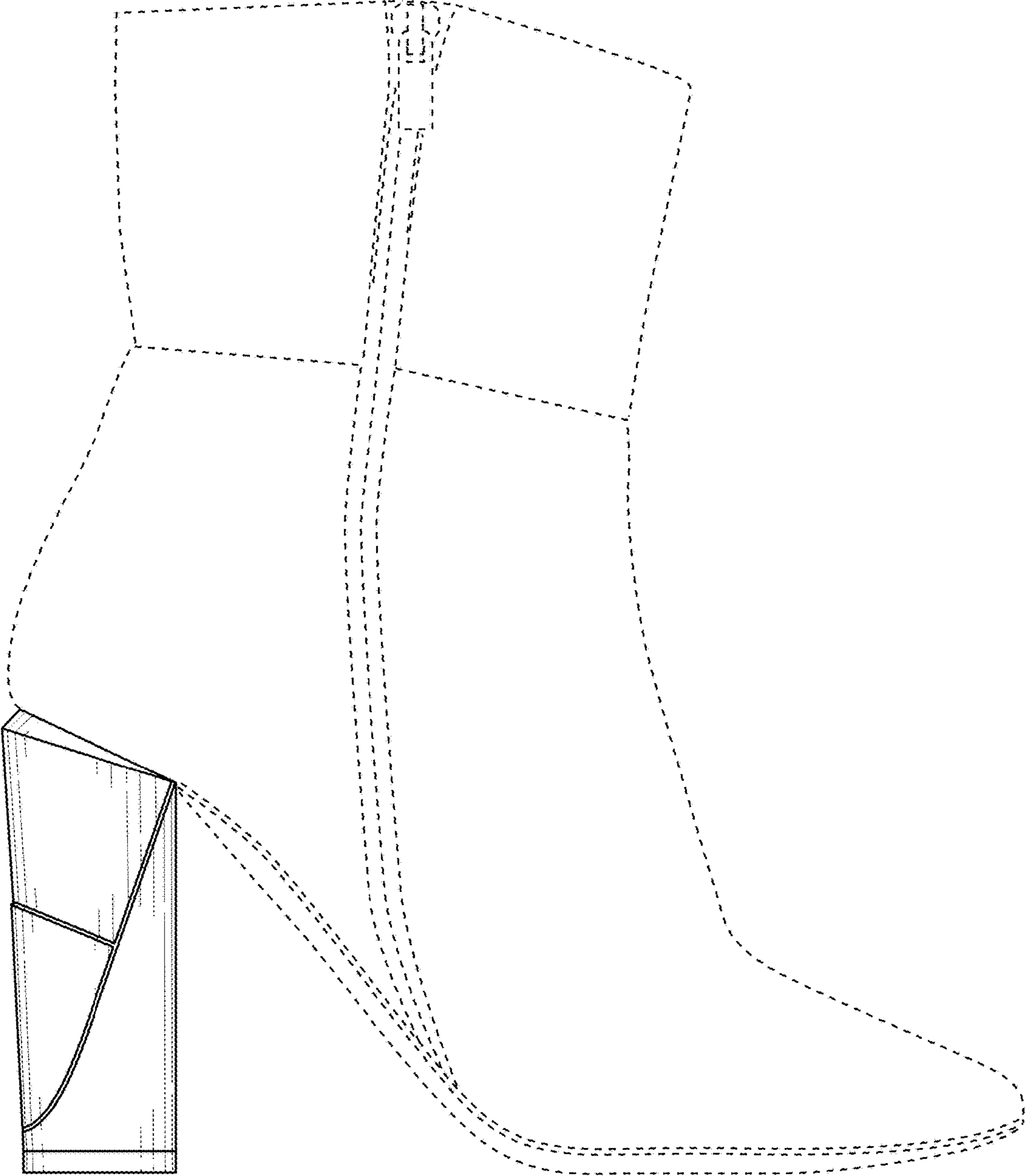


FIG. 3

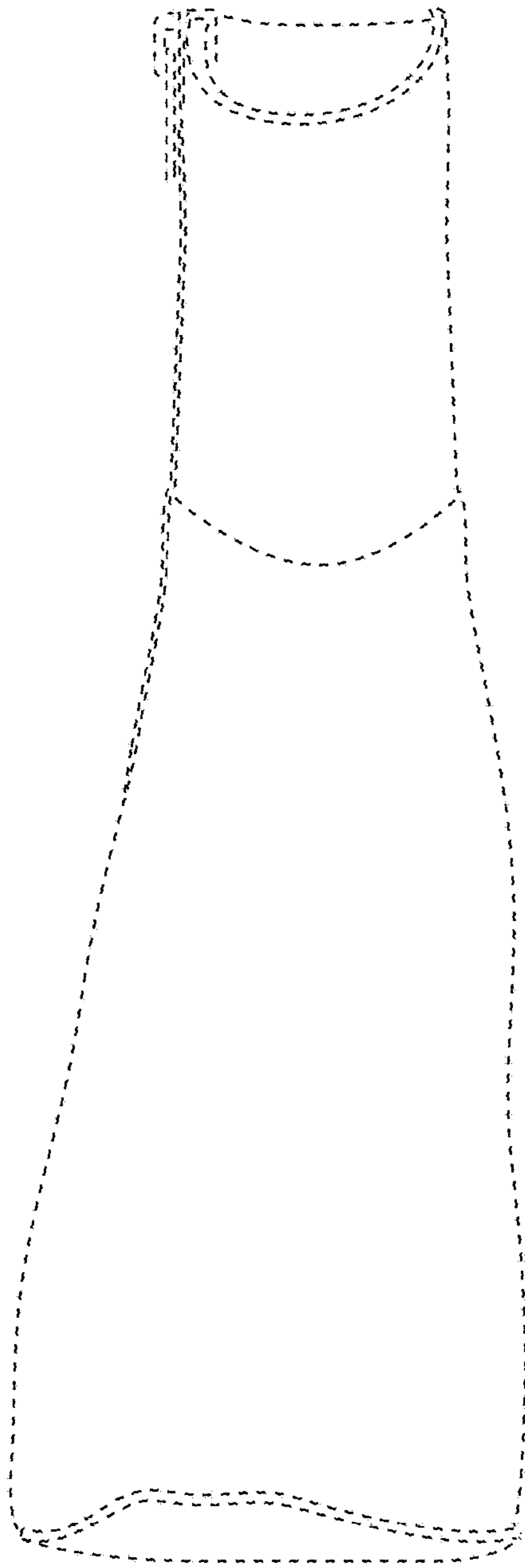


FIG. 4

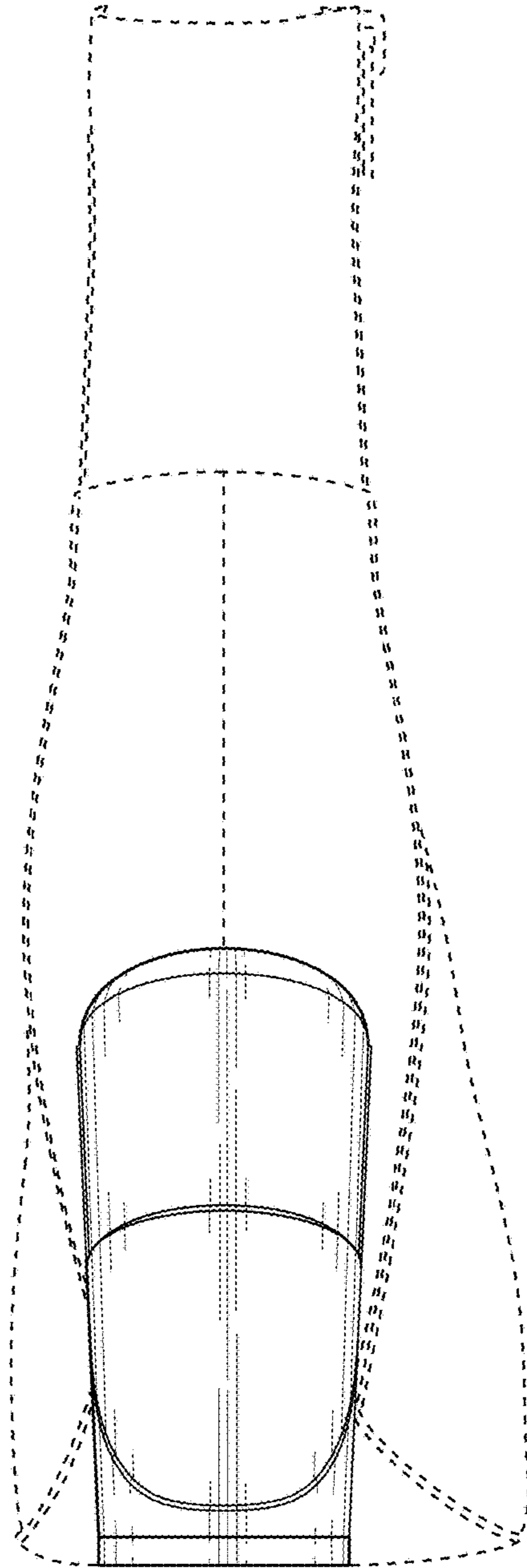


FIG. 5

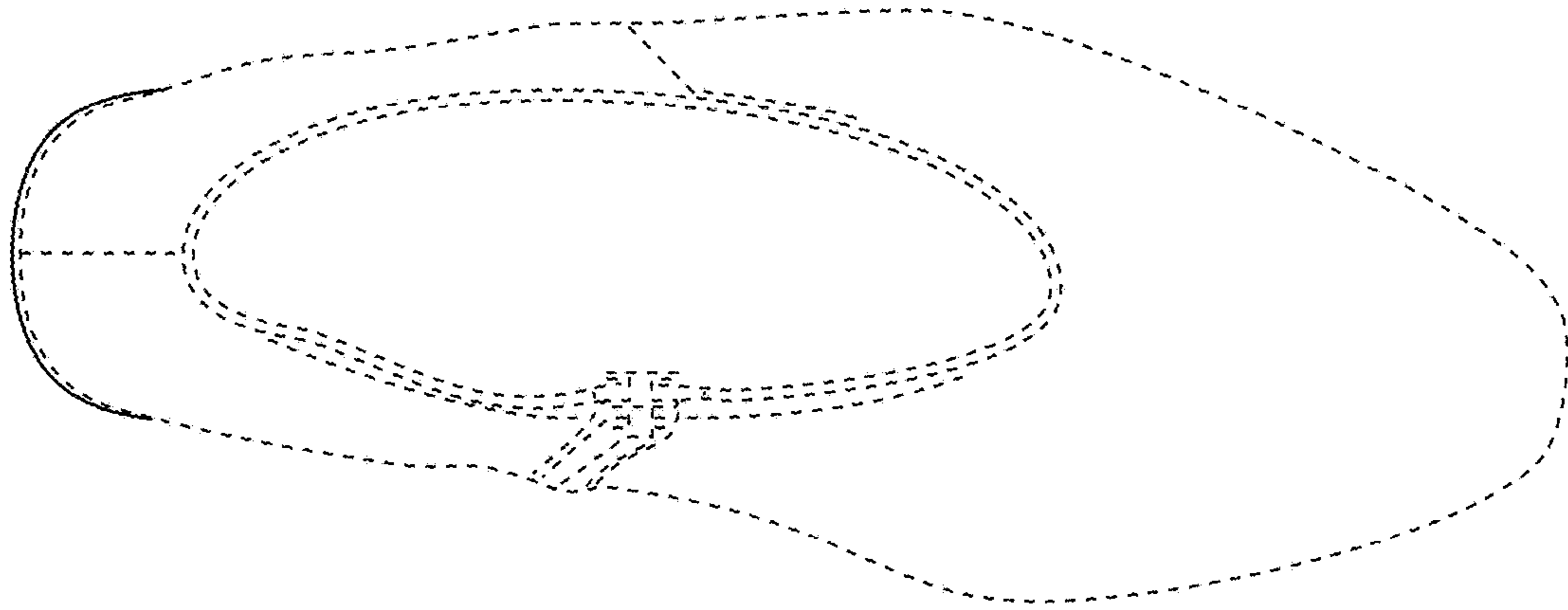


FIG. 6

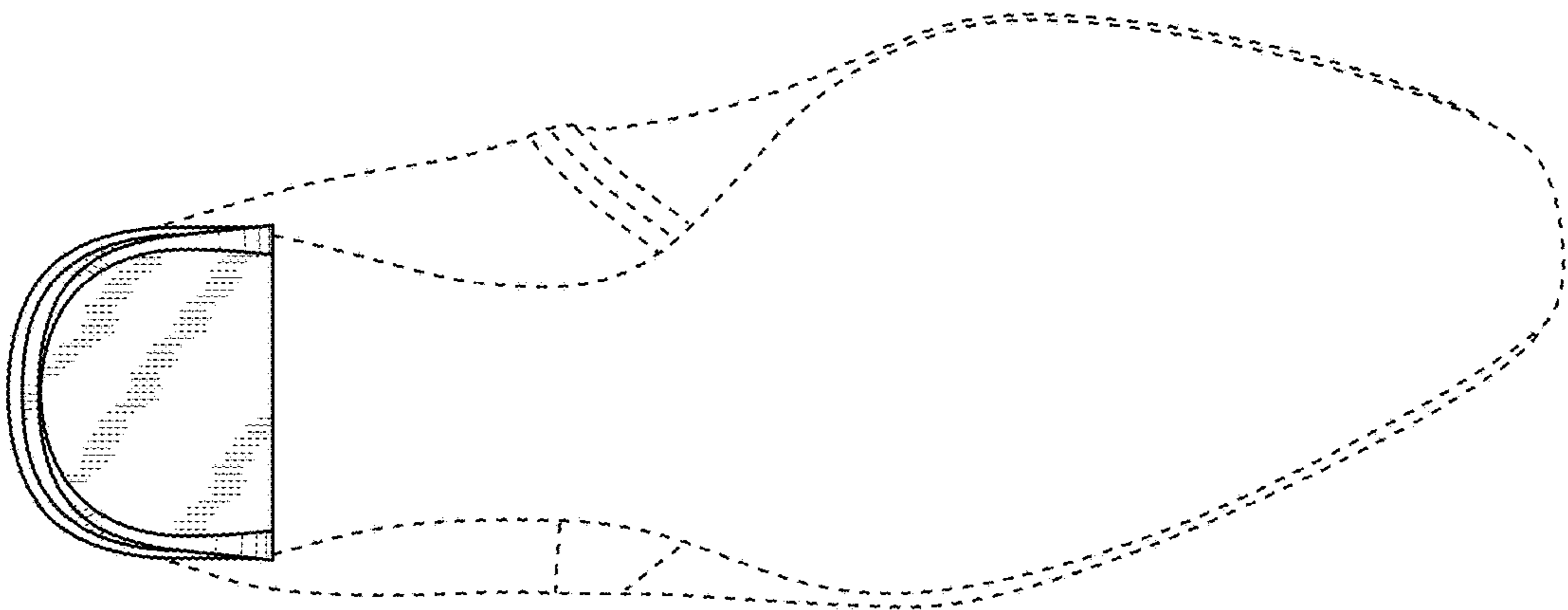


FIG. 7

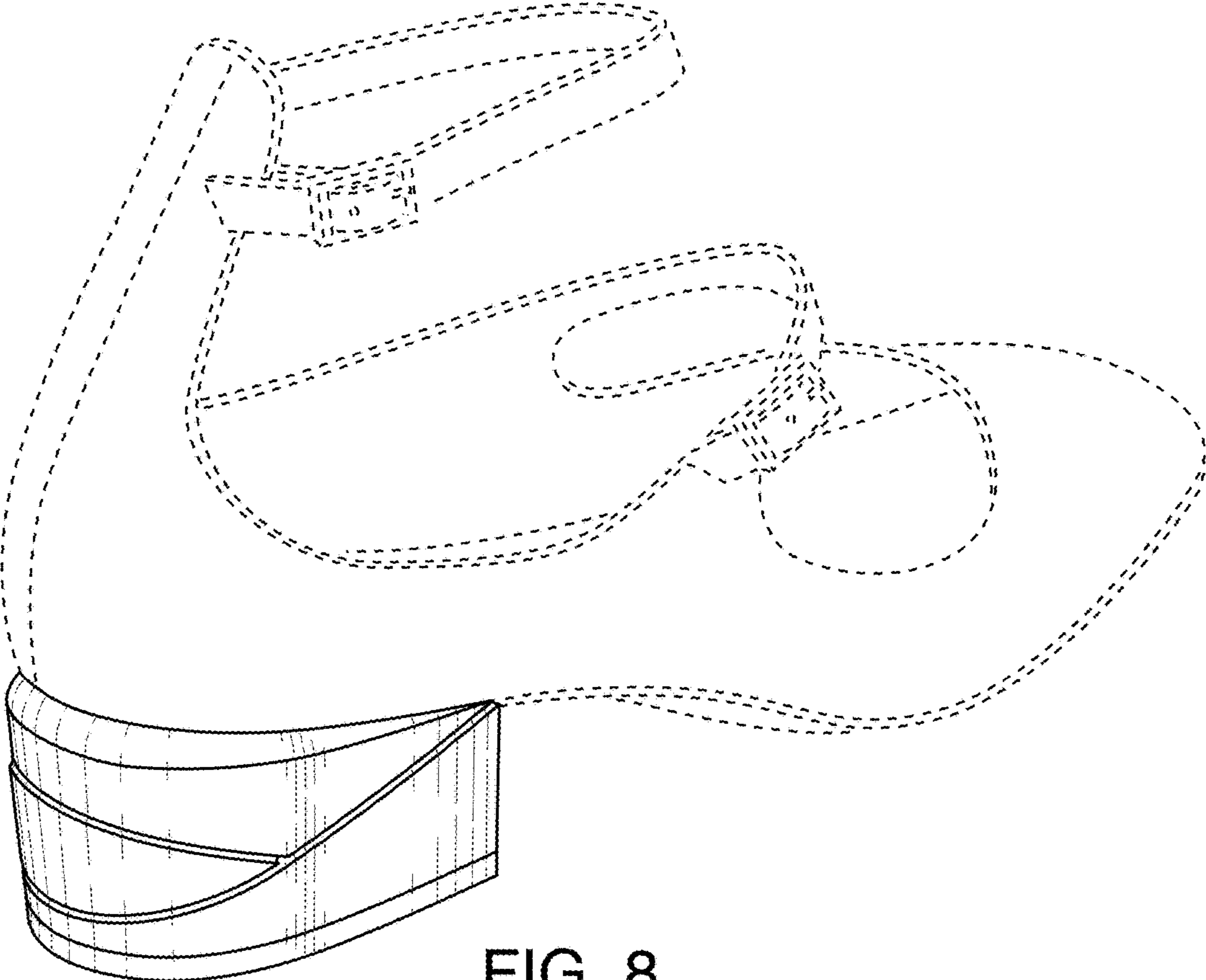


FIG. 8

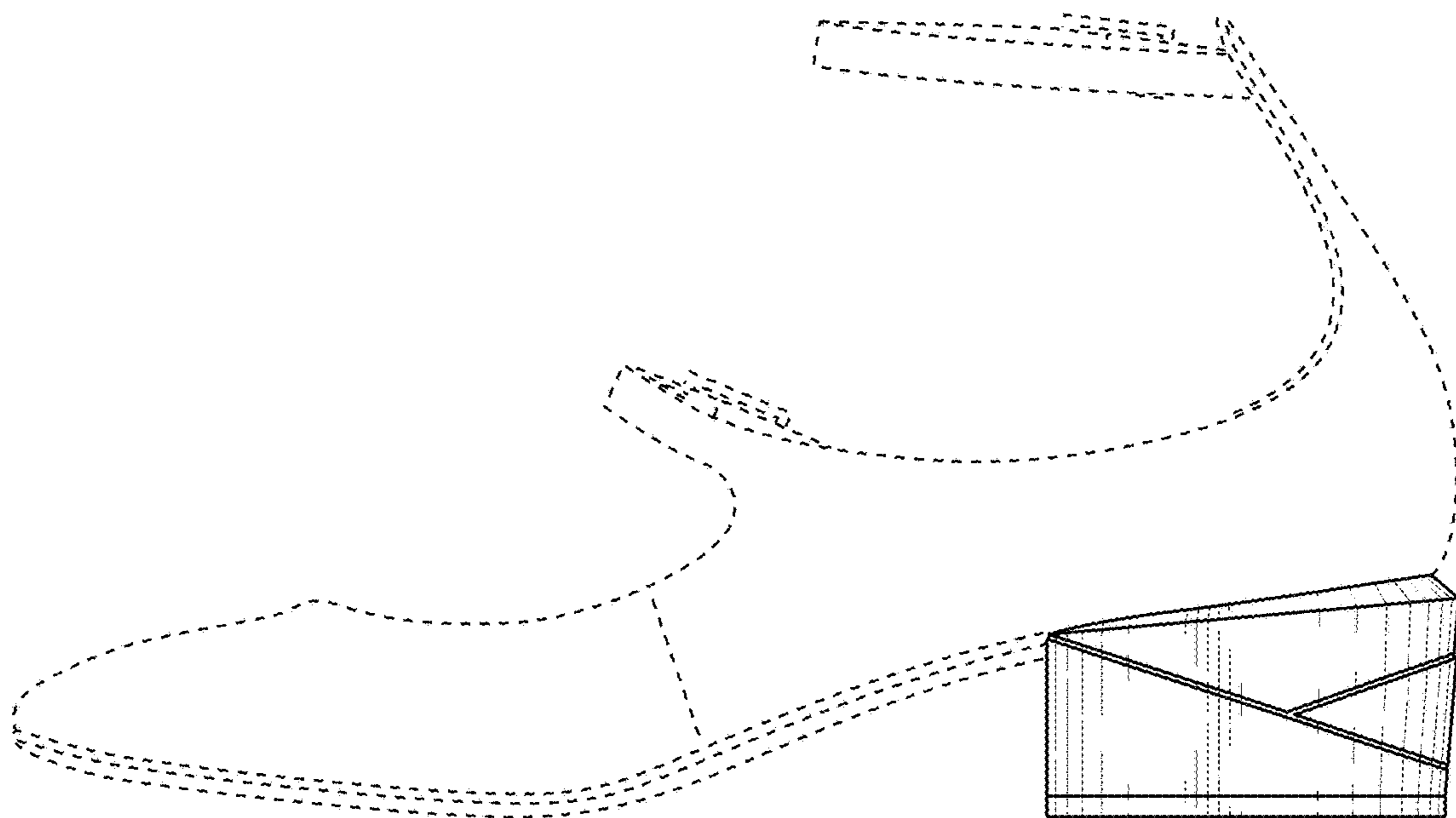


FIG. 9

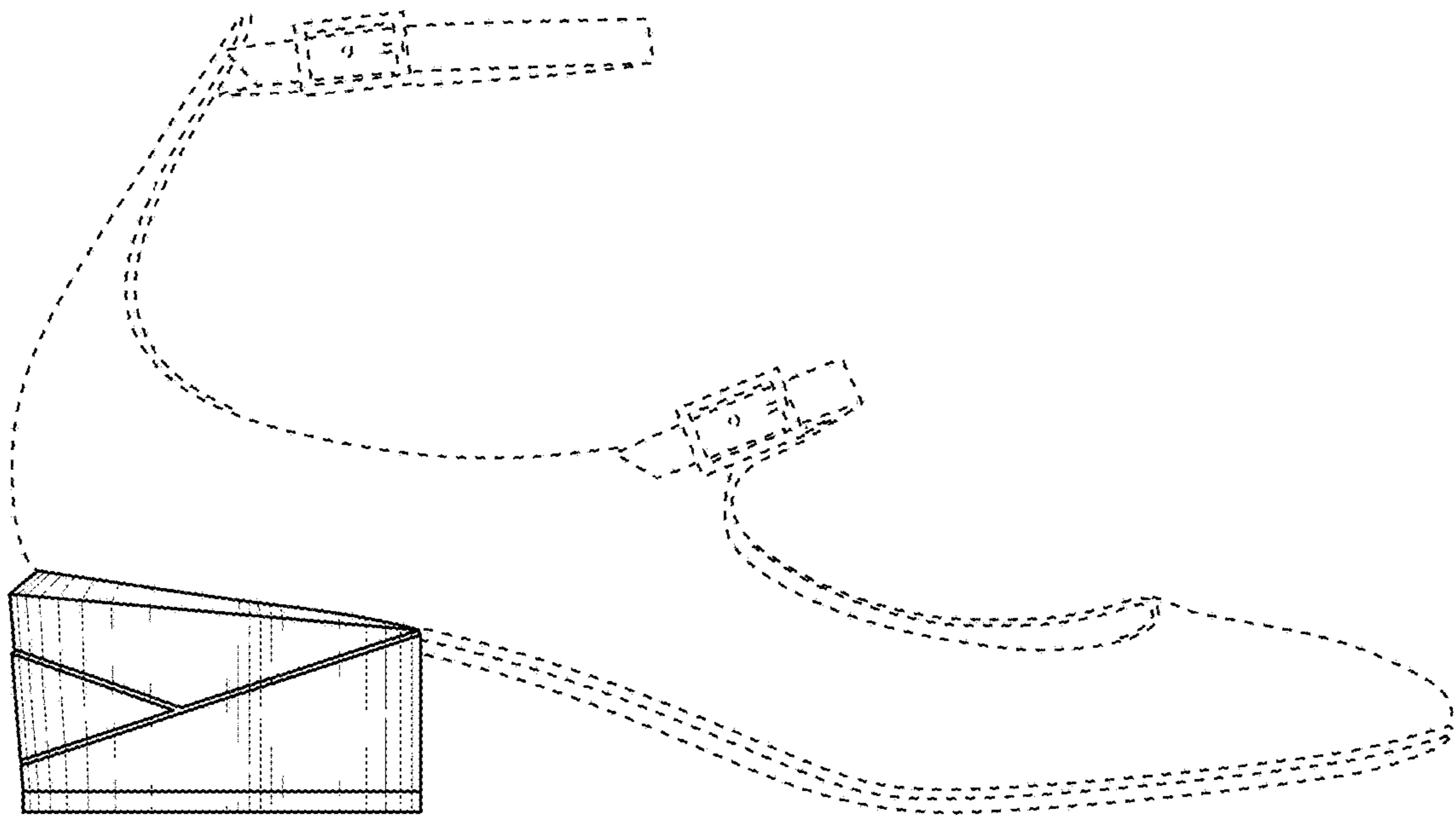


FIG. 10

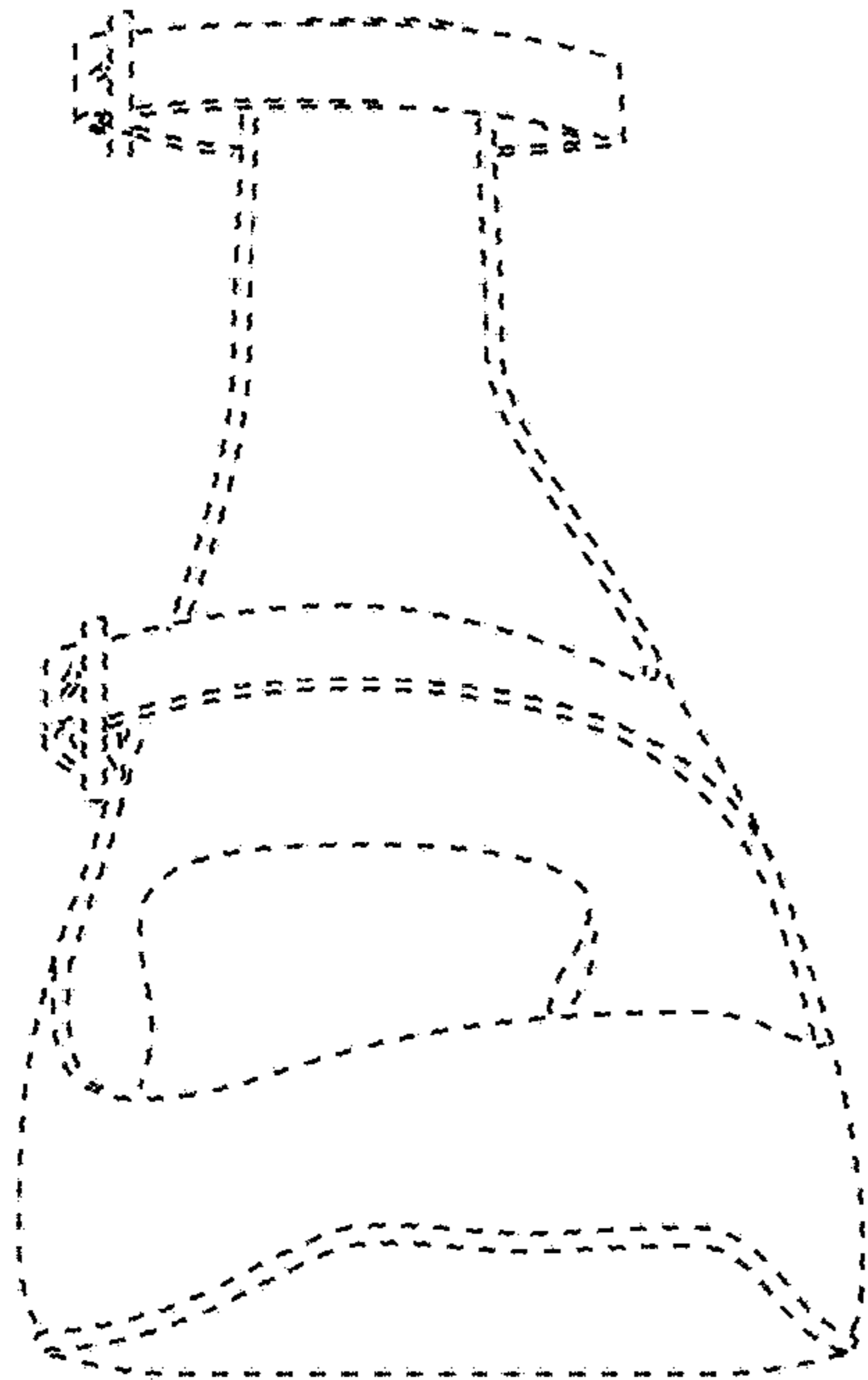


FIG. 11

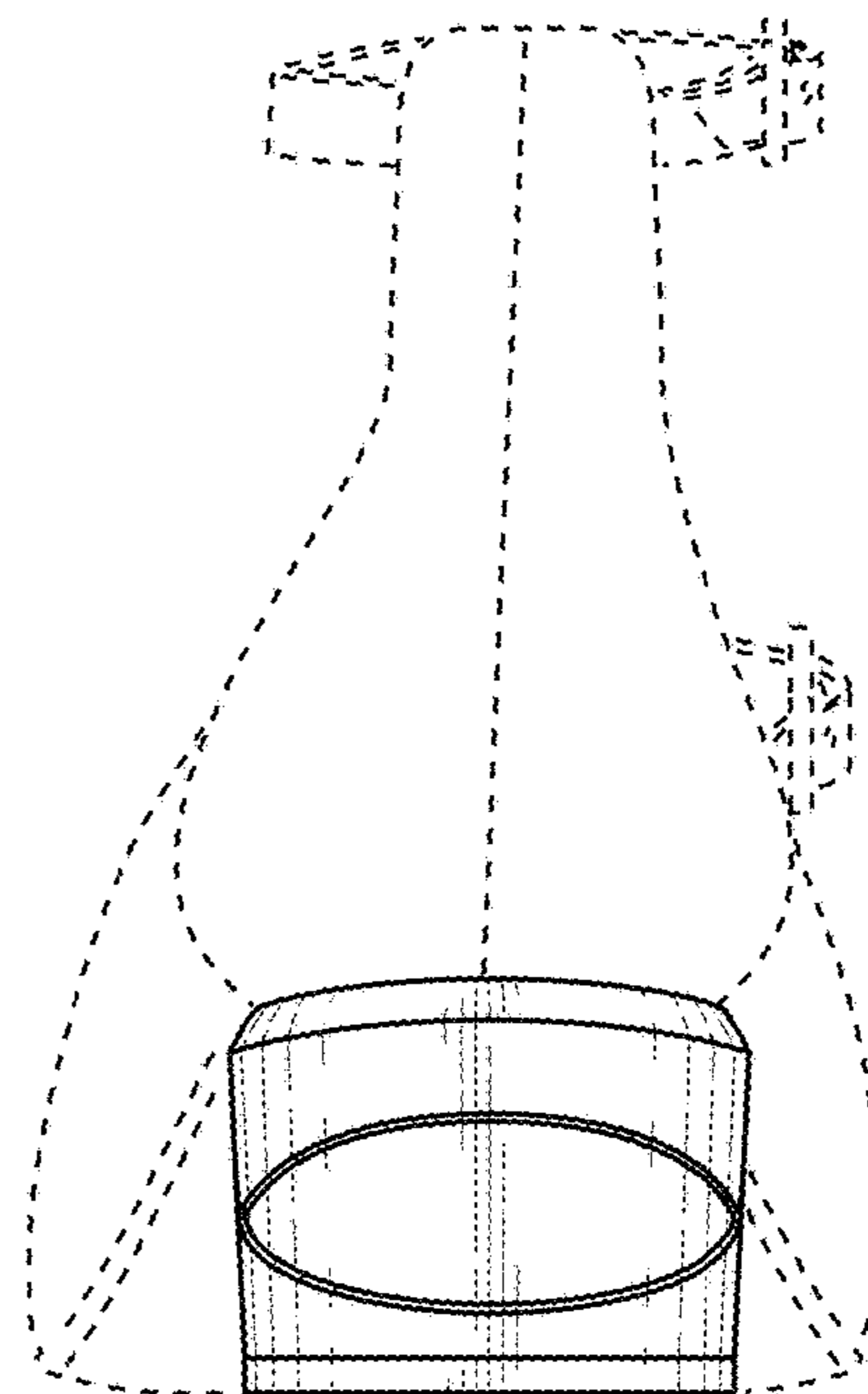


FIG. 12

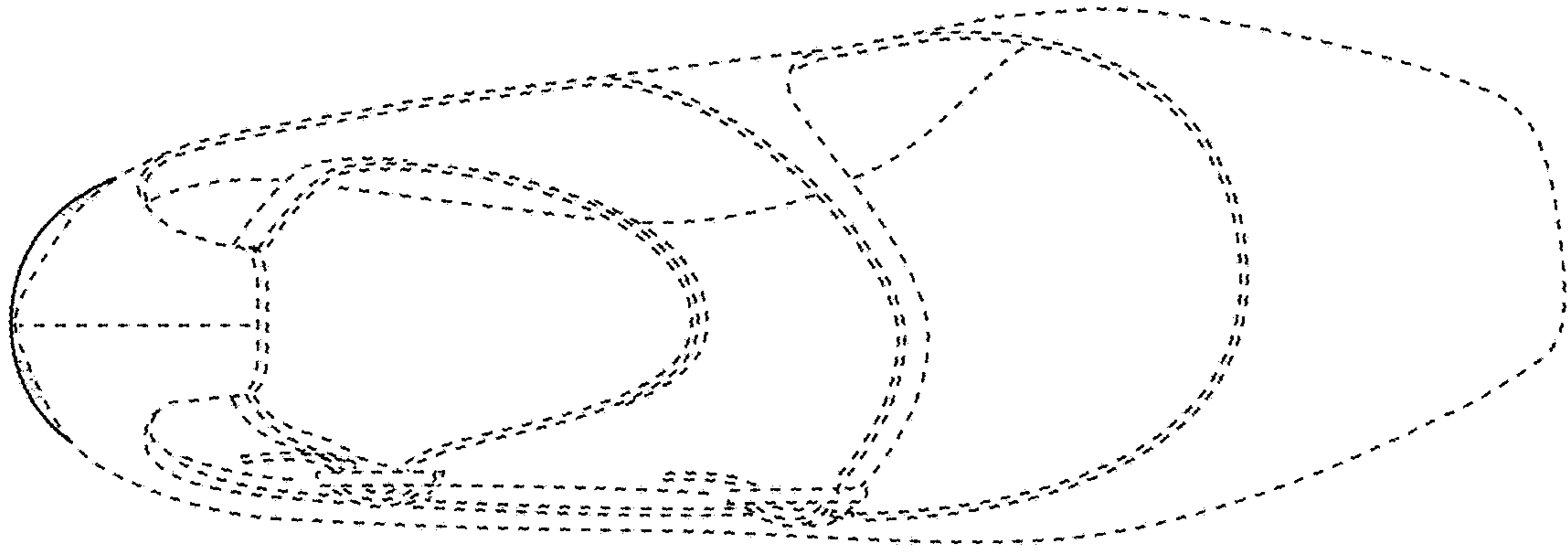


FIG. 13

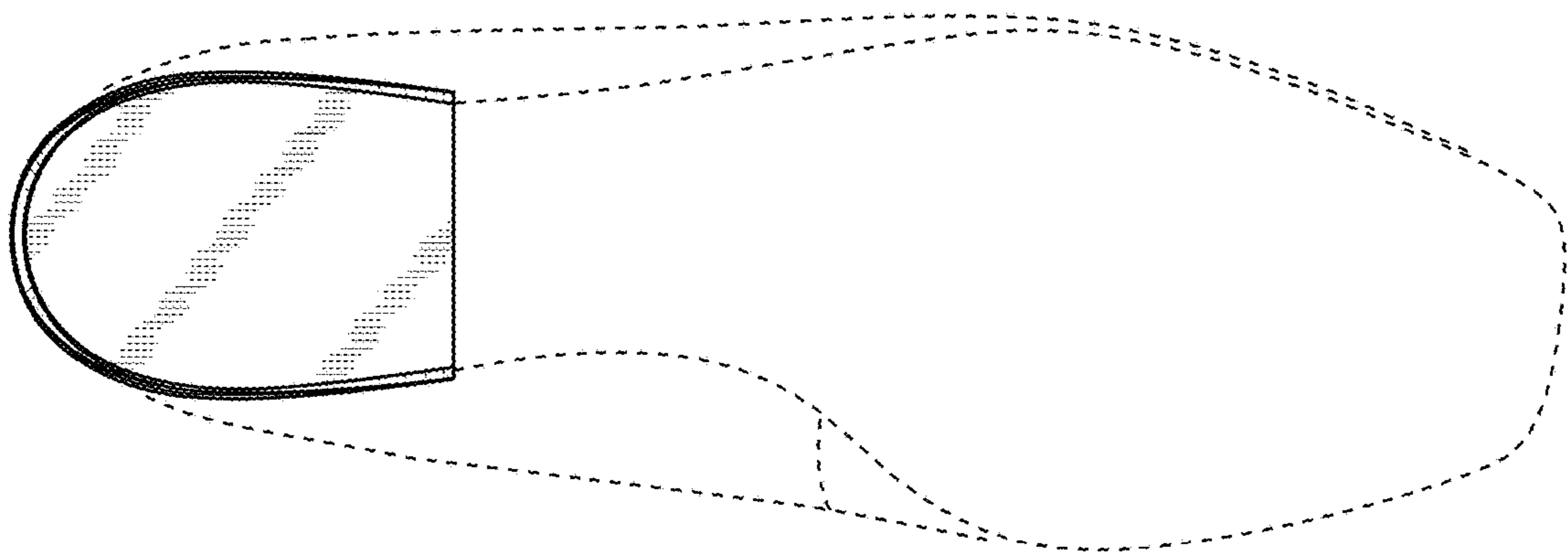


FIG. 14