



US00D804769S

(12) **United States Design Patent**
Frankenberg

(10) **Patent No.:** **US D804,769 S**

(45) **Date of Patent:** **** Dec. 5, 2017**

- (54) **WIRE DRUM**
- (71) Applicant: **ORBIS Corporation**, Oconomowoc, WI (US)
- (72) Inventor: **Jason R. Frankenberg**, Lake Mills, WI (US)
- (73) Assignee: **ORBIS Corporation**, Oconomowoc, WI (US)

D374,959	S	*	10/1996	Mull	D34/39
D574,574	S	*	8/2008	Bax	D34/39
8,646,660	B2	*	2/2014	Bates	B65D 7/045 220/495.03
8,777,056	B2	*	7/2014	Bates	B65D 7/045 220/495.03
D732,262	S	*	6/2015	Pellham	D34/39
D735,436	S	*	7/2015	Lehman	D34/39
D752,839	S	*	3/2016	Lehman	D34/39
9,428,720	B2	*	8/2016	Lehman	C12C 13/10

(**) Term: **15 Years**

(21) Appl. No.: **29/556,985**

(22) Filed: **Mar. 4, 2016**

(51) **LOC (10) Cl.** **09-02**

(52) **U.S. Cl.**
USPC **D34/39**

(58) **Field of Classification Search**
USPC D34/39; D7/306, 607, 313, 398, 512,
D7/301, 300; D9/435, 439; D12/197;
222/183, 137, 81, 91, 85, 400.7, 1;
220/592.18, 592.19, 495.03; 16/2.3;
137/15.12, 15.11, 15.13, 15.24, 15.16;
251/144; D23/259, 260, 261; 62/372
CPC B65D 88/08; B65D 88/26; B65D 90/00;
B65D 90/06

See application file for complete search history.

(56) **References Cited**

U.S. PATENT DOCUMENTS

D277,041	S	*	1/1985	Nichols	D34/39
5,165,559	A	*	11/1992	Kusz	B65D 50/046 215/216
5,203,181	A	*	4/1993	Brossia	B65D 7/045 220/592.19
D336,714	S	*	6/1993	Brossia	D34/39

OTHER PUBLICATIONS

Uline, Inc.; Product webpage for "Fiber Drums"; retrieved from <http://www.uline.com/BL_8151/Fiber-Drums> on May 31, 2016; (1 page).

* cited by examiner

Primary Examiner — Cynthia Ramirez

(74) *Attorney, Agent, or Firm* — Greensfelder, Hemker & Gale, P.C.

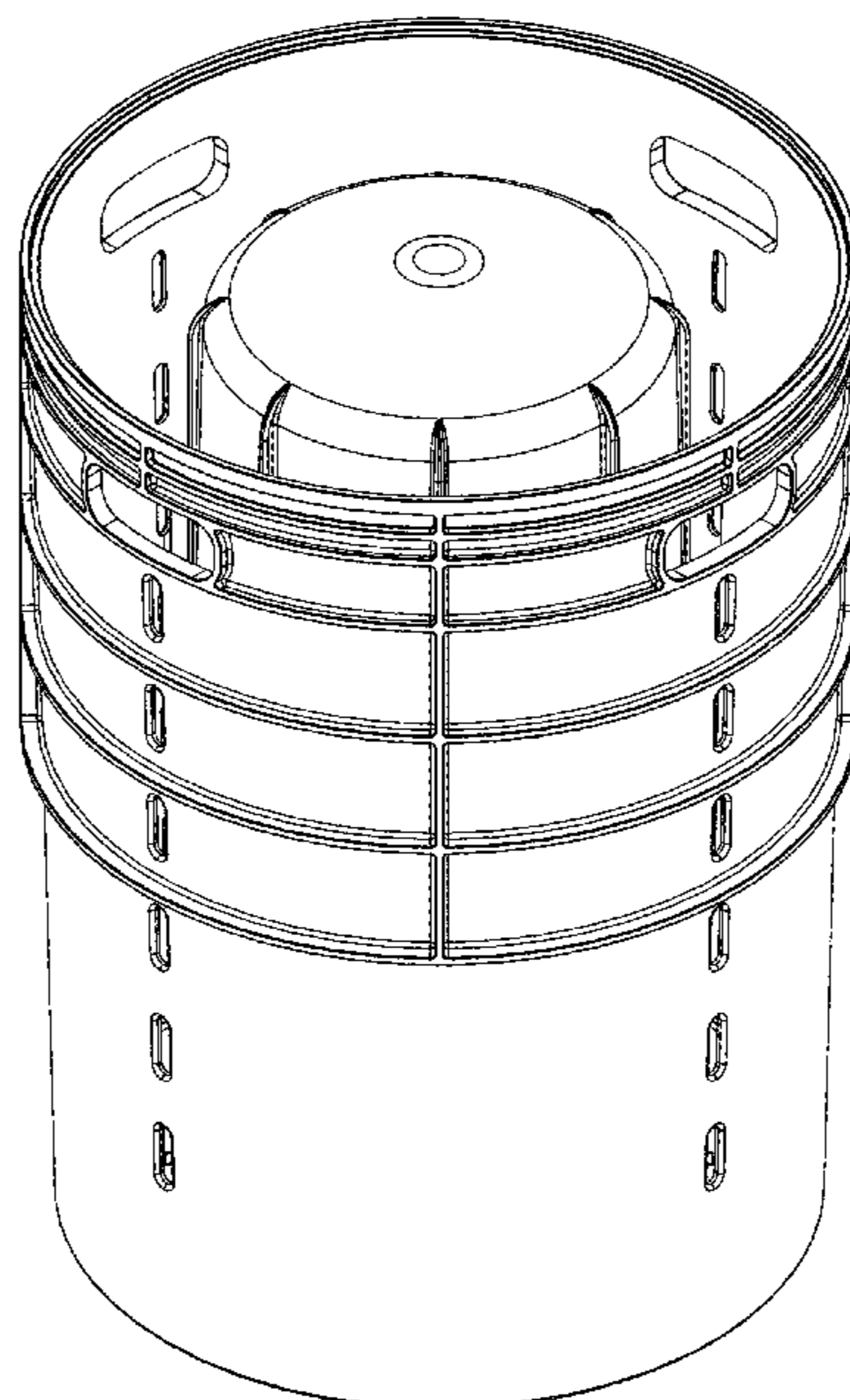
(57) **CLAIM**

I claim the ornamental design for a wire drum, as shown and described.

DESCRIPTION

FIG. 1 is a perspective view of a wire drum showing my new design;
FIG. 2 is a side plan view of the wire drum of FIG. 1, all other sides being the same;
FIG. 3 is a top plan view of the wire drum of FIG. 1;
FIG. 4 is a bottom plan view of the wire drum of FIG. 1
FIG. 5 is a bottom perspective view of the wire drum of FIG. 1; and,
FIG. 6 is a top perspective view of the wire drum of FIG. 1.

1 Claim, 6 Drawing Sheets



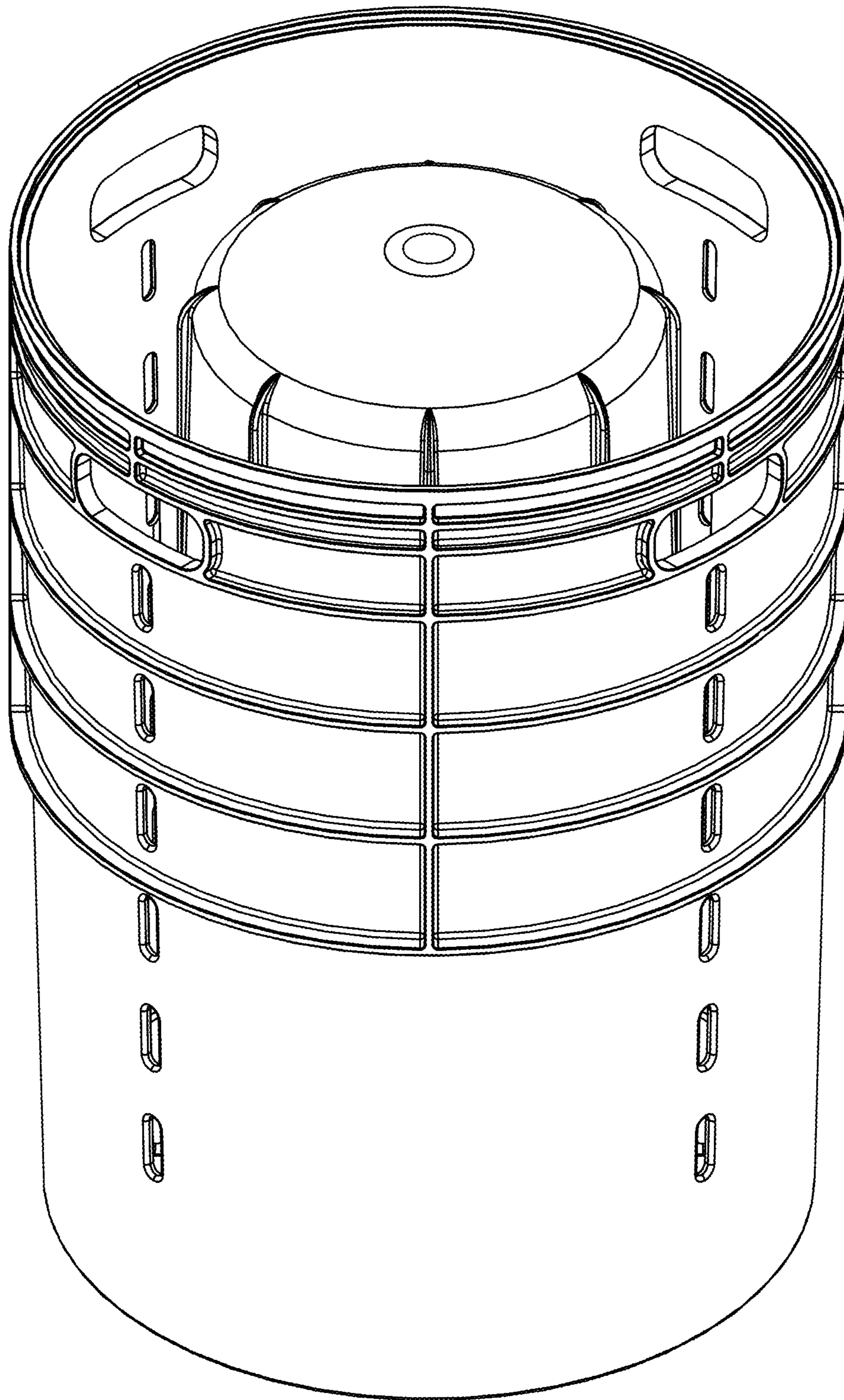


FIG. 1

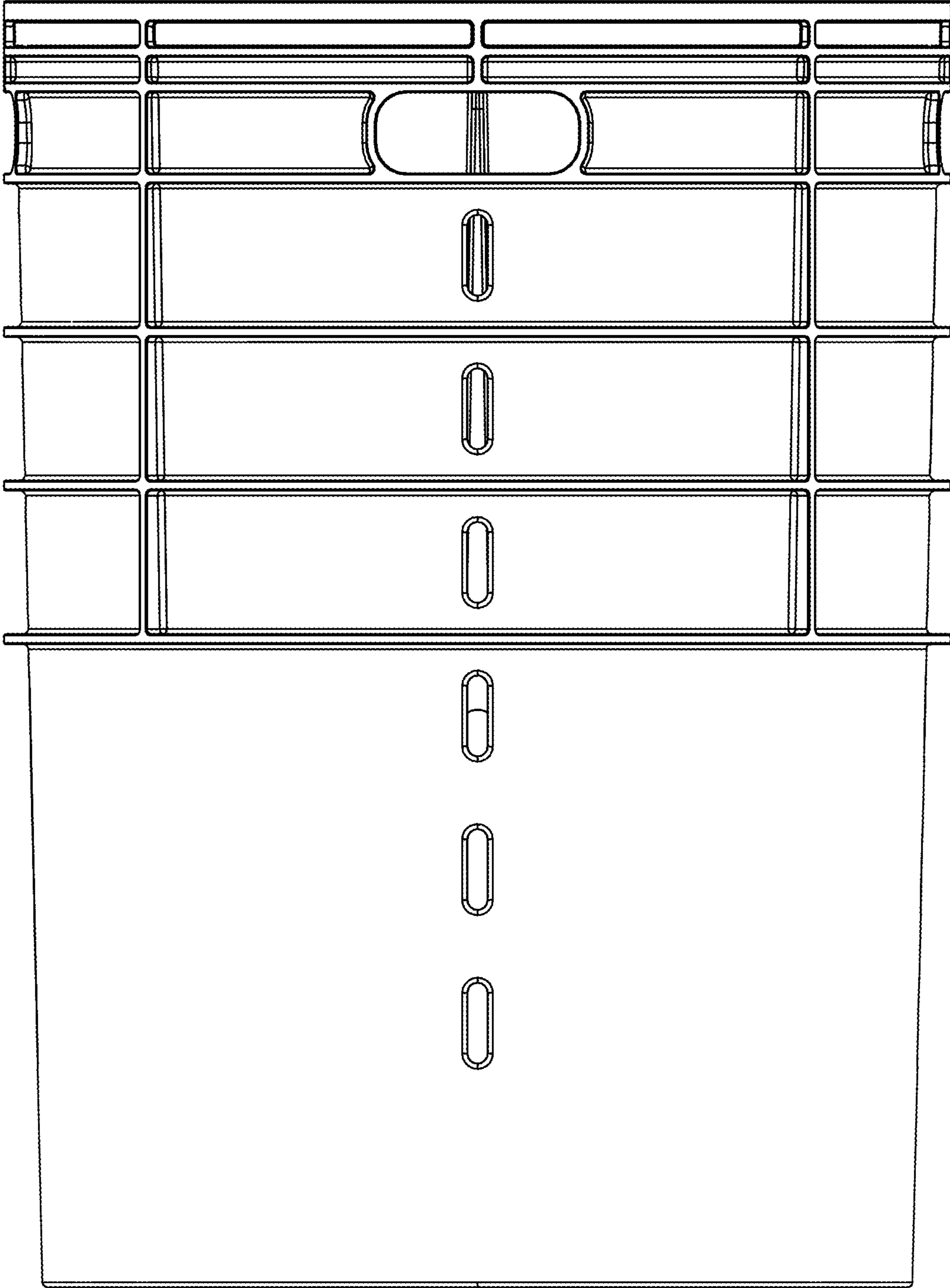


FIG. 2

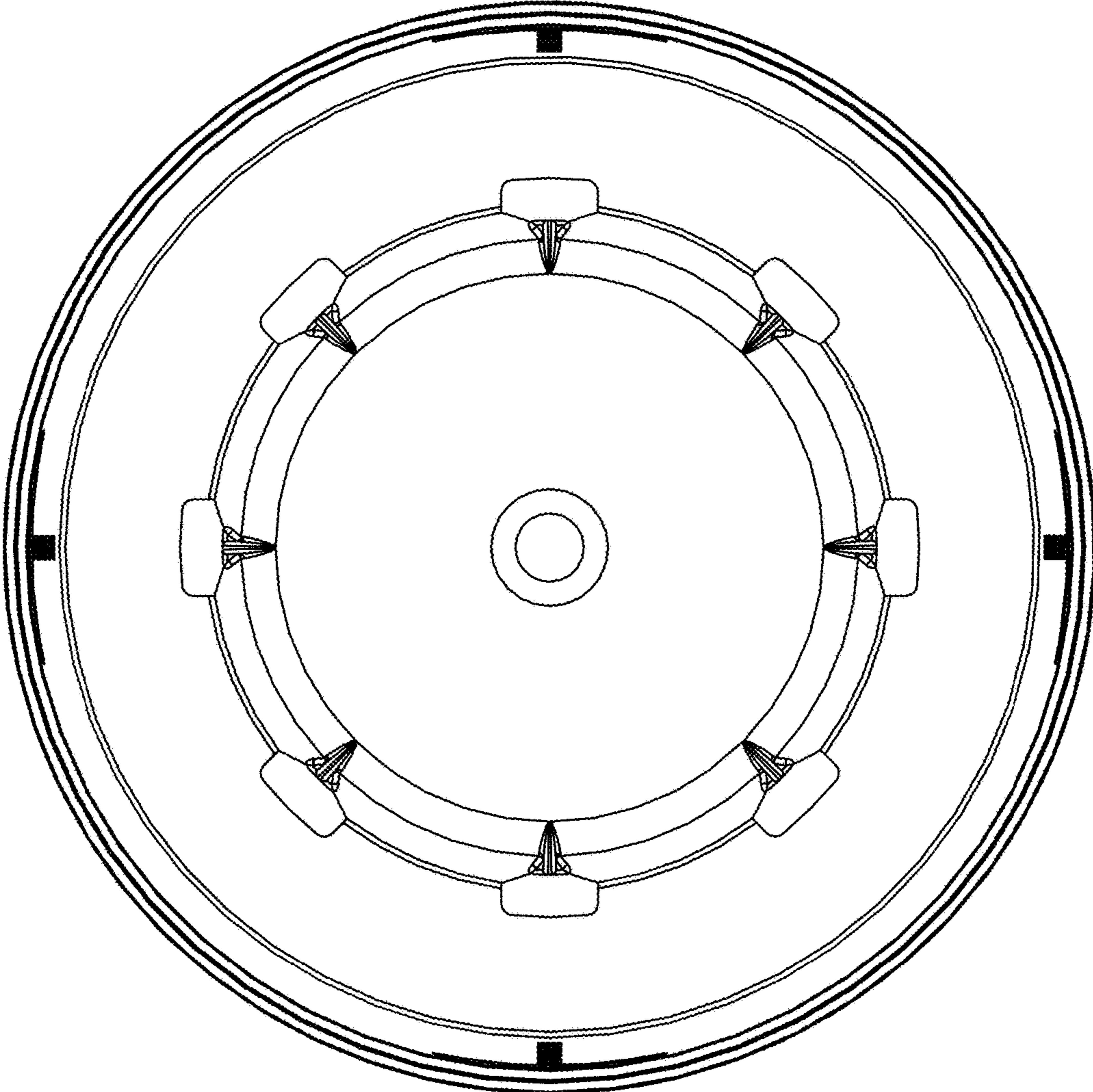


FIG. 3

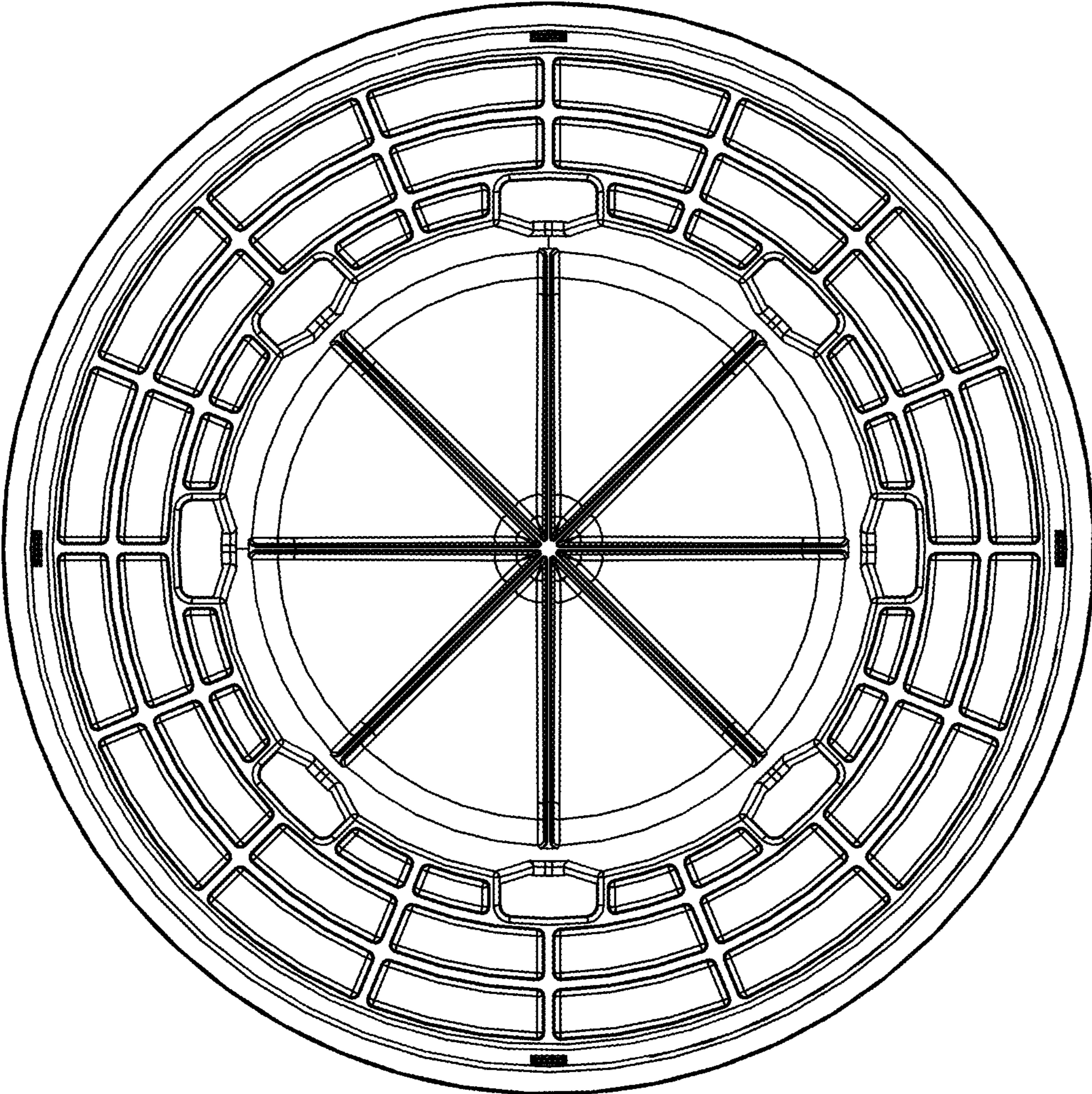


FIG. 4

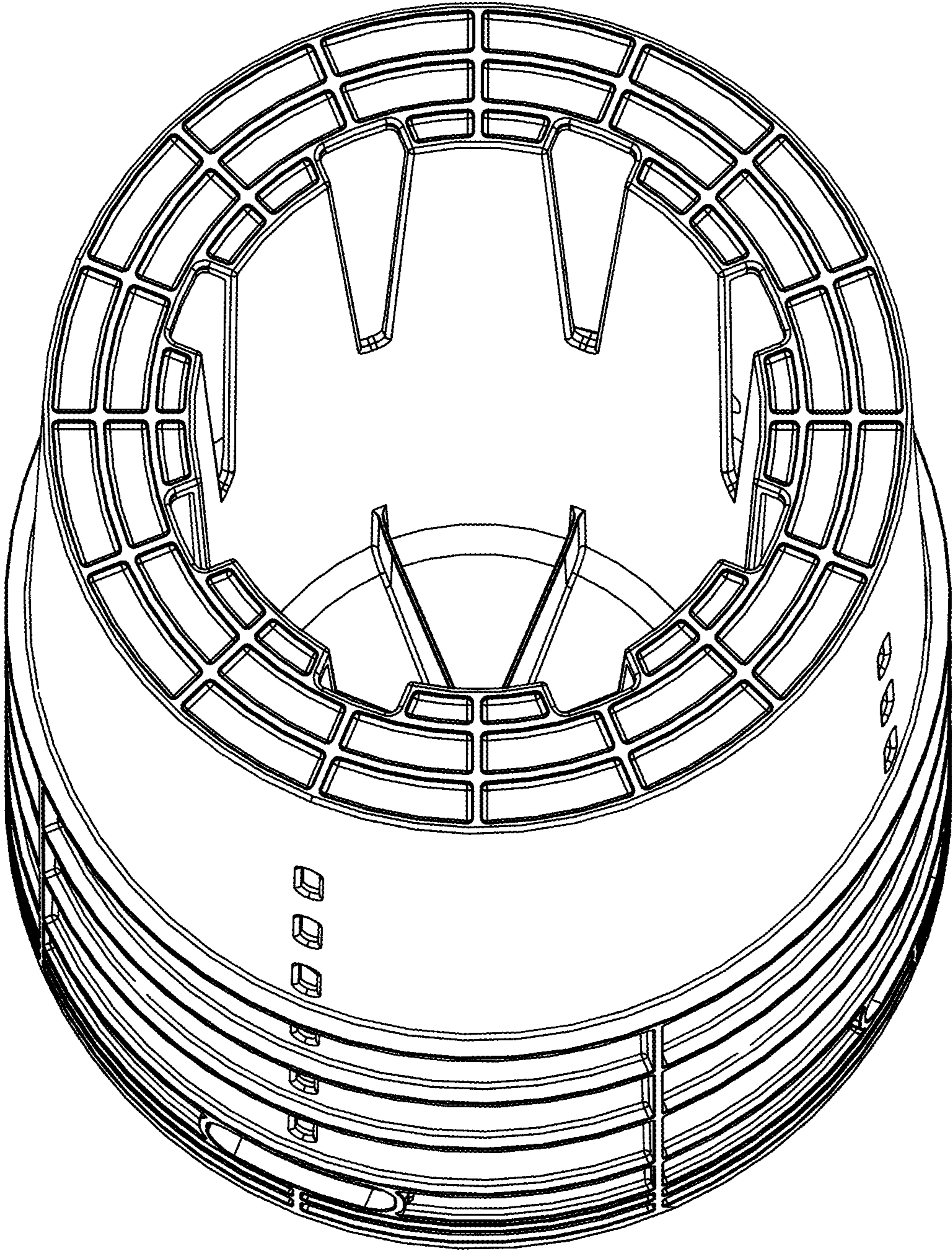


FIG. 5

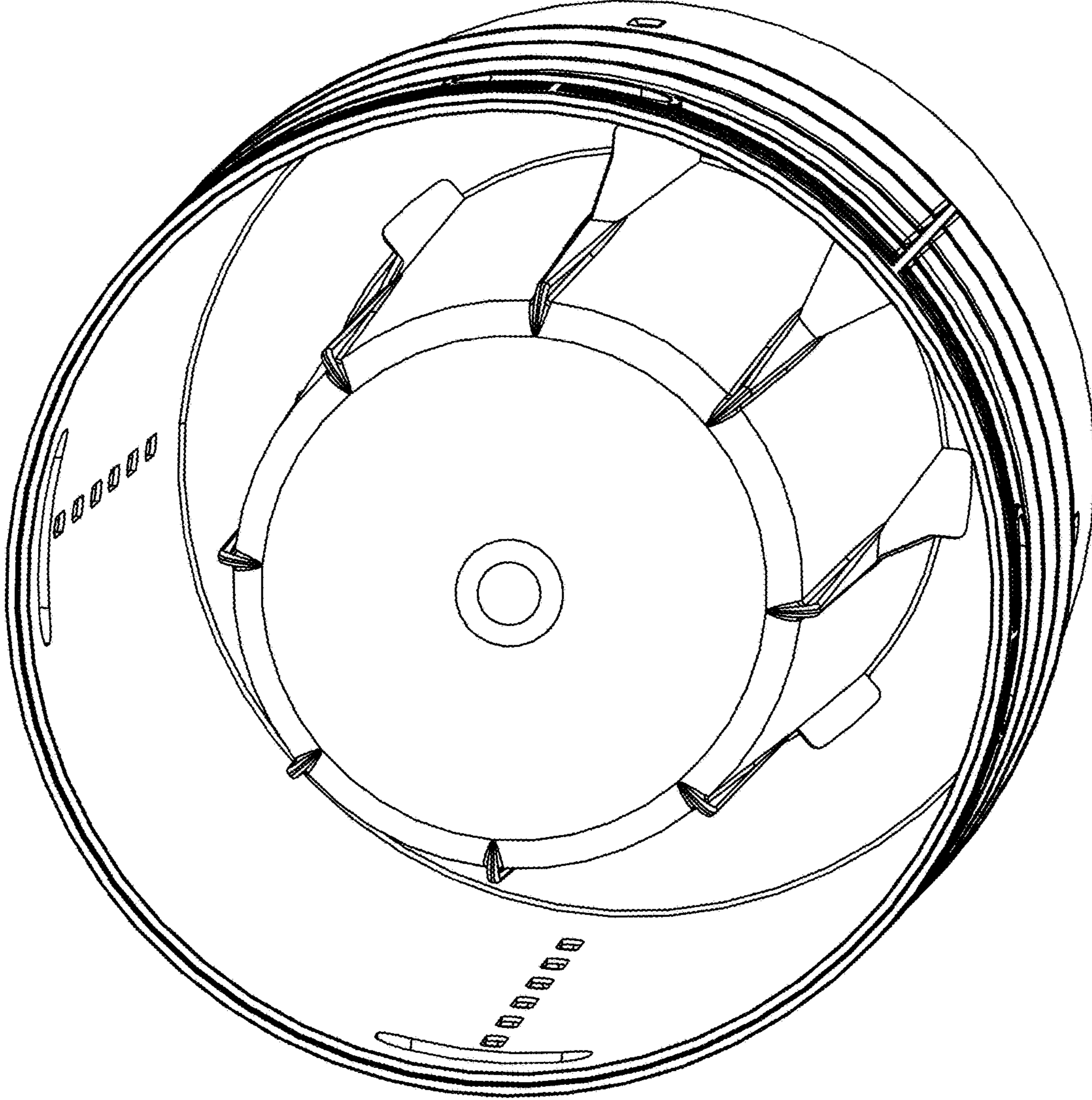


FIG. 6