



US00D804767S

(12) **United States Design Patent** (10) **Patent No.:** **US D804,767 S**  
**Wojdyla** (45) **Date of Patent:** **\*\* Dec. 5, 2017**

(54) **VEHICLE RAMP HAVING VISUAL INDICATORS**

(71) Applicant: **The Braun Corporation**, Winamac, IN (US)

(72) Inventor: **Adam D. Wojdyla**, Winamac, IN (US)

(73) Assignee: **The Braun Corporation**, Winamac, IN (US)

(\*\*) Term: **15 Years**

(21) Appl. No.: **29/583,527**

(22) Filed: **Nov. 7, 2016**

(51) **LOC (10) Cl.** ..... **12-05**

(52) **U.S. Cl.**  
USPC ..... **D34/32**

(58) **Field of Classification Search**  
USPC ..... D34/28, 32; 414/537, 523  
CPC ..... B65G 69/30; B60P 1/431; B60P 1/43  
See application file for complete search history.

(56) **References Cited**

**U.S. PATENT DOCUMENTS**

3,781,934	A *	1/1974	Pink	.....	B65G 69/30
					14/69.5
D617,972	S *	6/2010	Lucht	.....	D34/32
D706,513	S *	6/2014	Labarbera	.....	D34/32
D793,024	S *	7/2017	Bernet	.....	D34/32
2003/0182740	A1 *	10/2003	Schmaltz	.....	A61G 3/061
					14/69.5
2009/0300859	A1 *	12/2009	Lucht	.....	B65G 69/30
					14/69.5
2013/0028693	A1 *	1/2013	Justak	.....	B60P 1/435
					414/480

\* cited by examiner

*Primary Examiner* — Cynthia Ramirez

(74) *Attorney, Agent, or Firm* — Taft Stettinius & Hollister, LLP; Ryan O. White

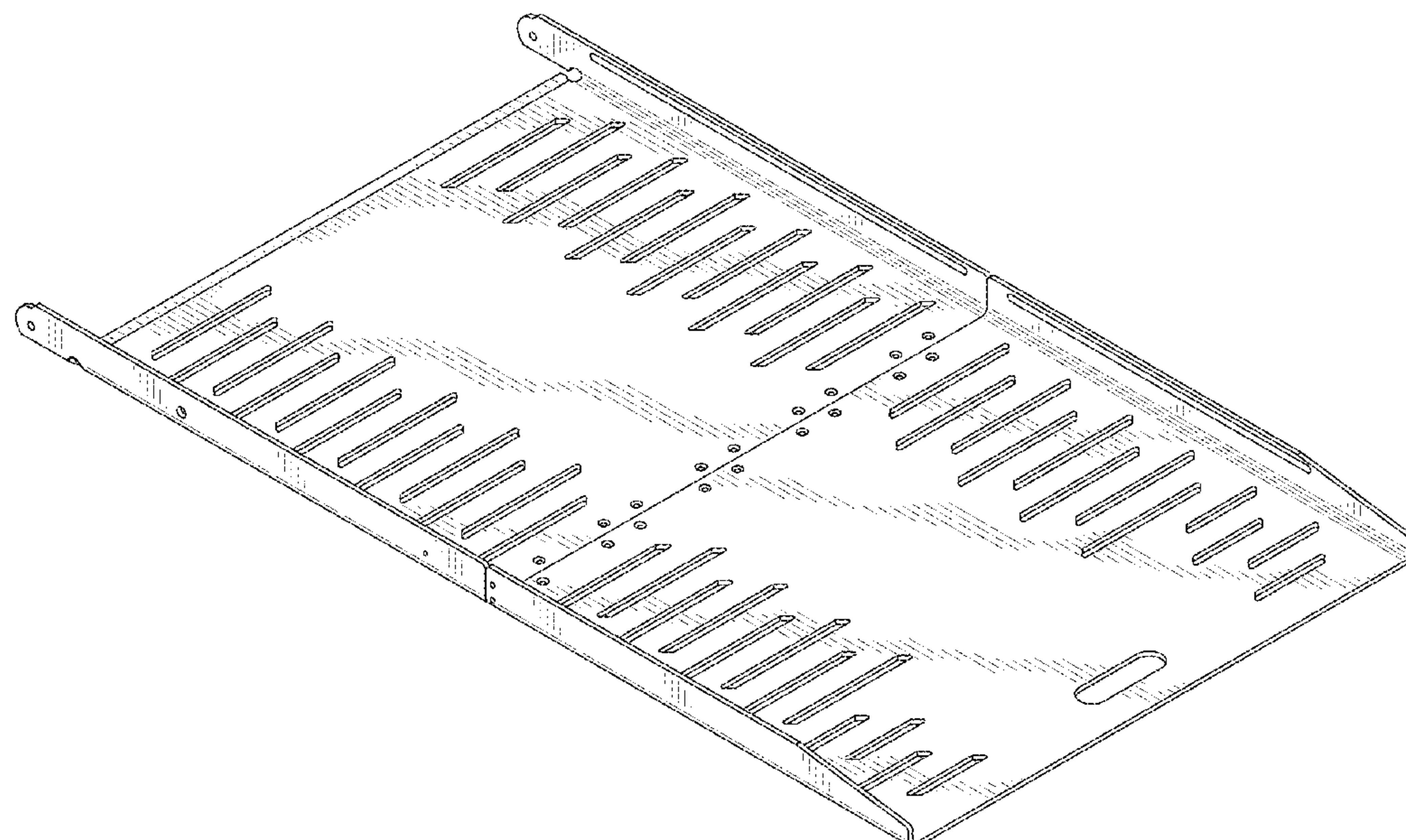
(57) **CLAIM**

The ornamental design for a vehicle ramp having visual indicators, as shown and described.

**DESCRIPTION**

FIG. 1 is a front perspective view of a vehicle ramp having a row of inner visual indicators showing my new design; FIG. 2 is a top view of the vehicle ramp of FIG. 1. FIG. 3 is a bottom view of the vehicle ramp of FIG. 1. FIG. 4 is a left side view of the vehicle ramp of FIG. 1. FIG. 5 is a right side view of the vehicle ramp of FIG. 1. FIG. 6 is a front view of the vehicle ramp of FIG. 1. FIG. 7 is a rear view of the vehicle ramp of FIG. 1. FIG. 8 is a cross-sectional inner side view of the vehicle ramp taken along line 8-8 of FIG. 2. FIG. 9 is a cross-sectional view of the vehicle ramp taken along line 9-9 of FIG. 8. FIG. 10 is another front perspective view of the vehicle ramp of FIG. 1; FIG. 11 is a top view of the vehicle ramp of FIG. 10. FIG. 12 is a front view of the vehicle ramp of FIG. 10. FIG. 13 is a rear view of the vehicle ramp of FIG. 10. FIG. 14 is a cross-sectional inner side view of the vehicle ramp taken along line 14-14 of FIG. 11; and, FIG. 15 is a cross-sectional view of the vehicle ramp taken along line 15-15 of FIG. 14. The broken lines in FIGS. 10 through 15 are to show the inner visual indicators illuminated to show environment and illustrative purposes only and form no part of the claimed design.

**1 Claim, 8 Drawing Sheets**



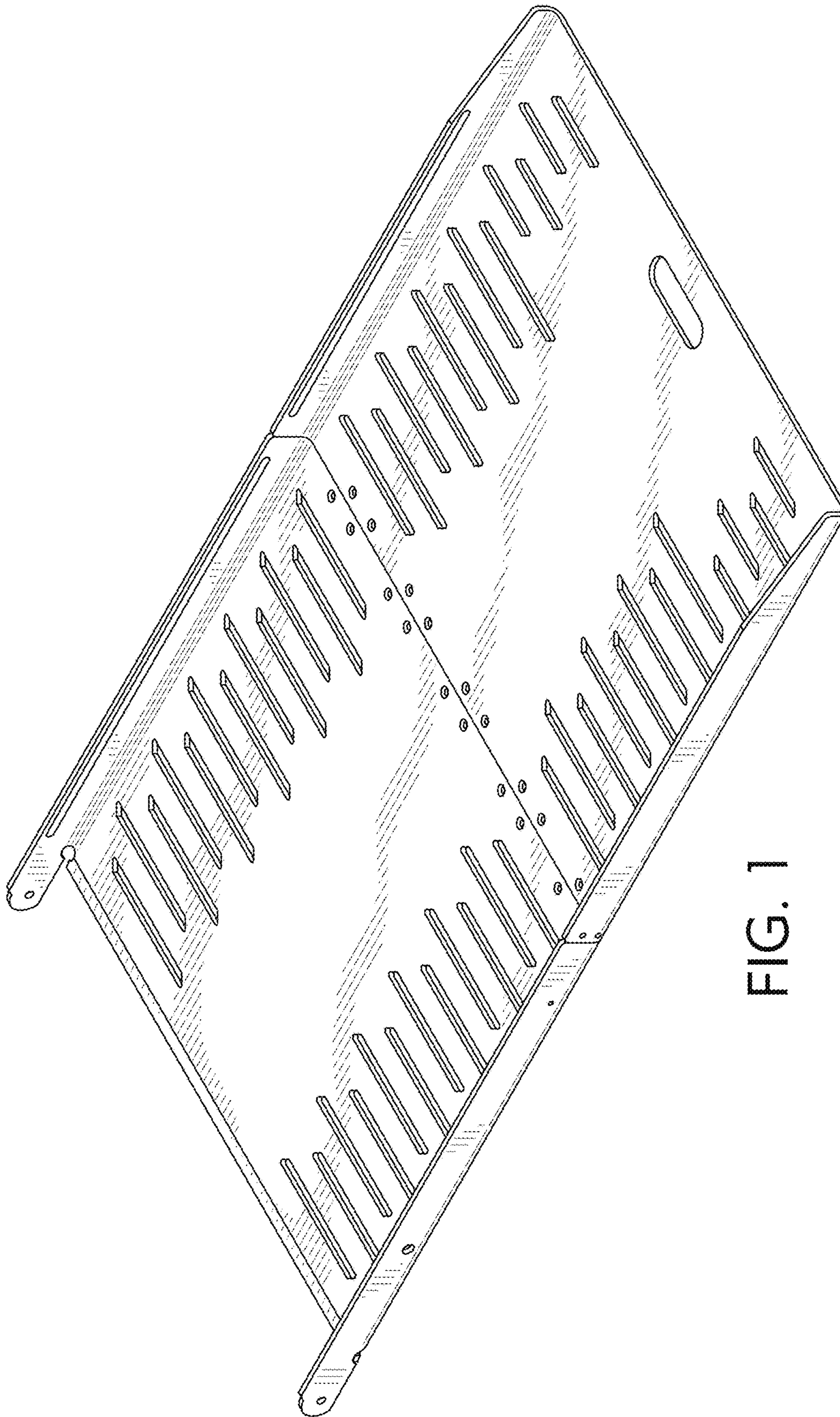


FIG. 1

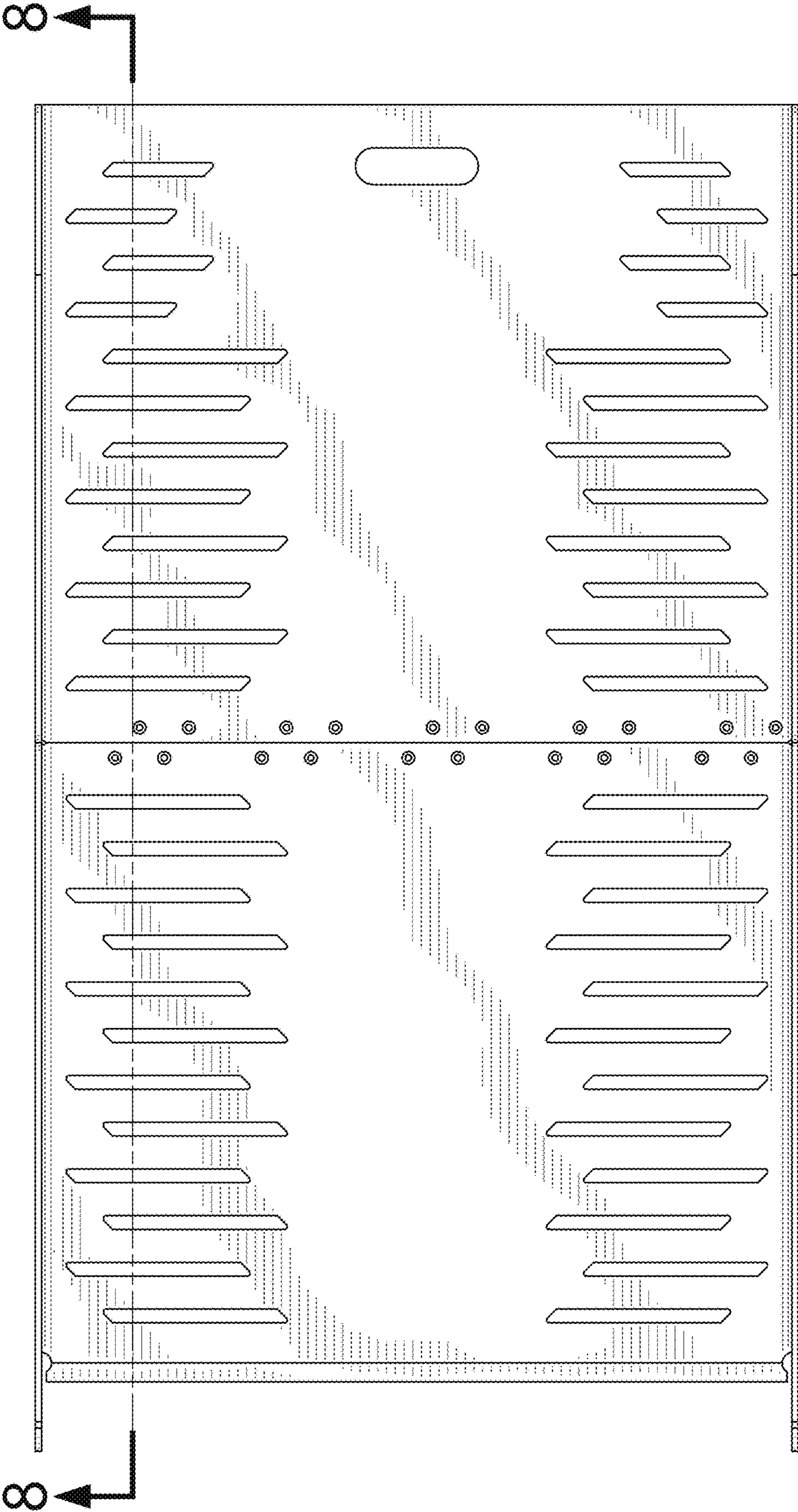


FIG. 2

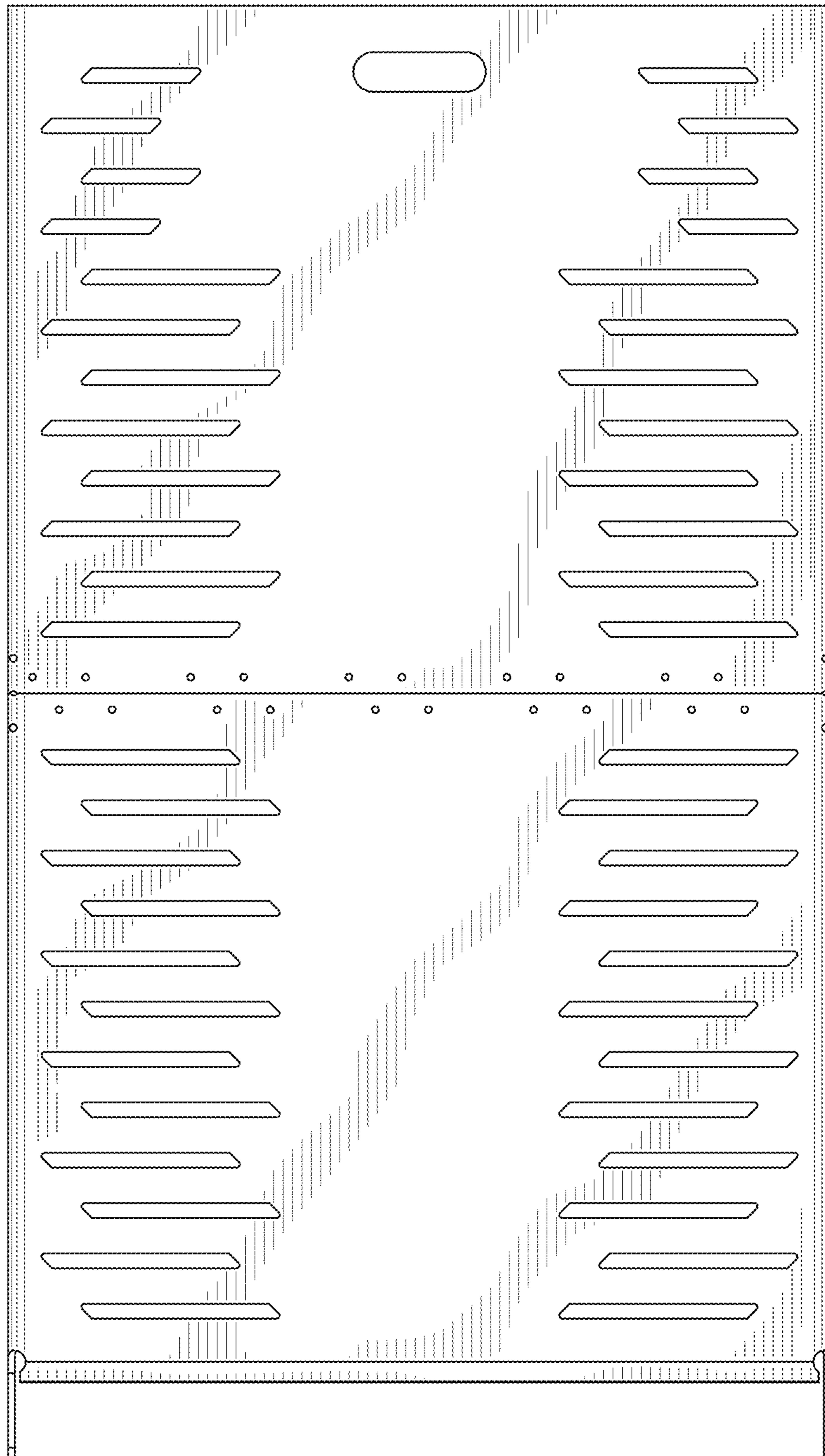


FIG. 3

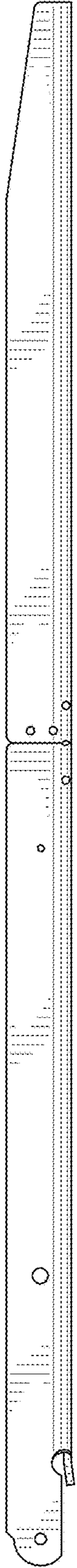


FIG. 4

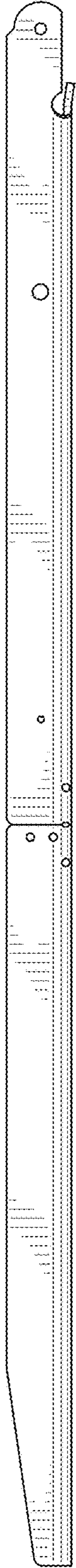


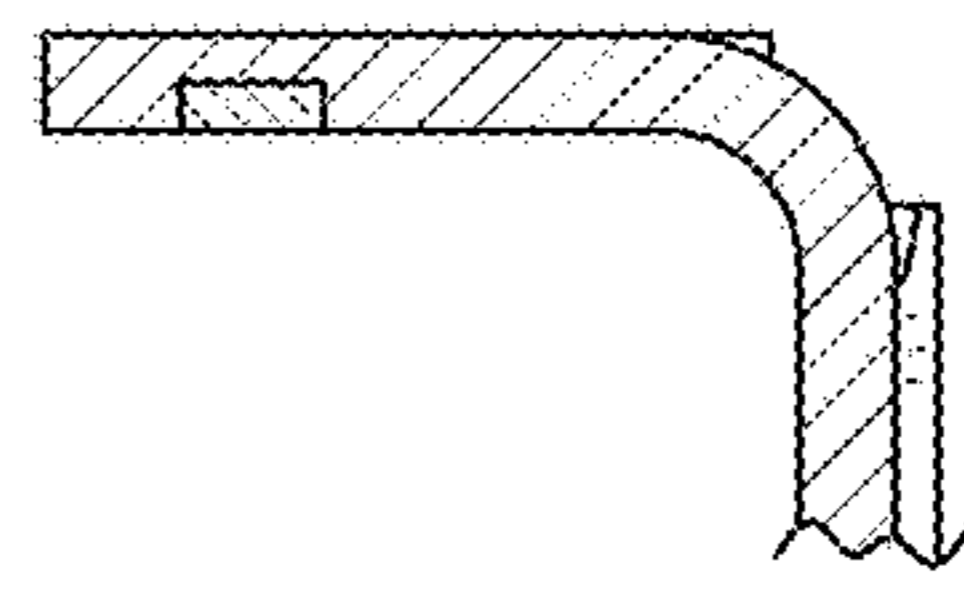
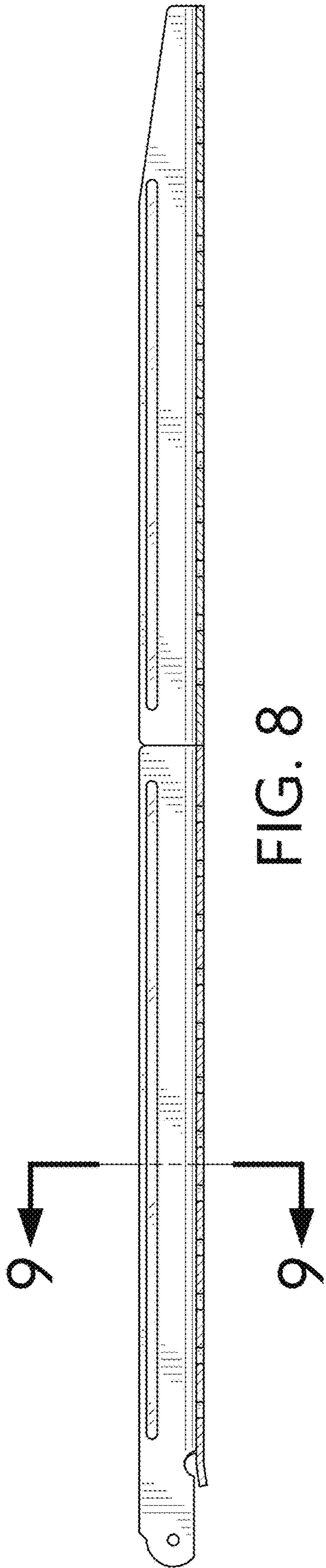
FIG. 5



FIG. 6



FIG. 7



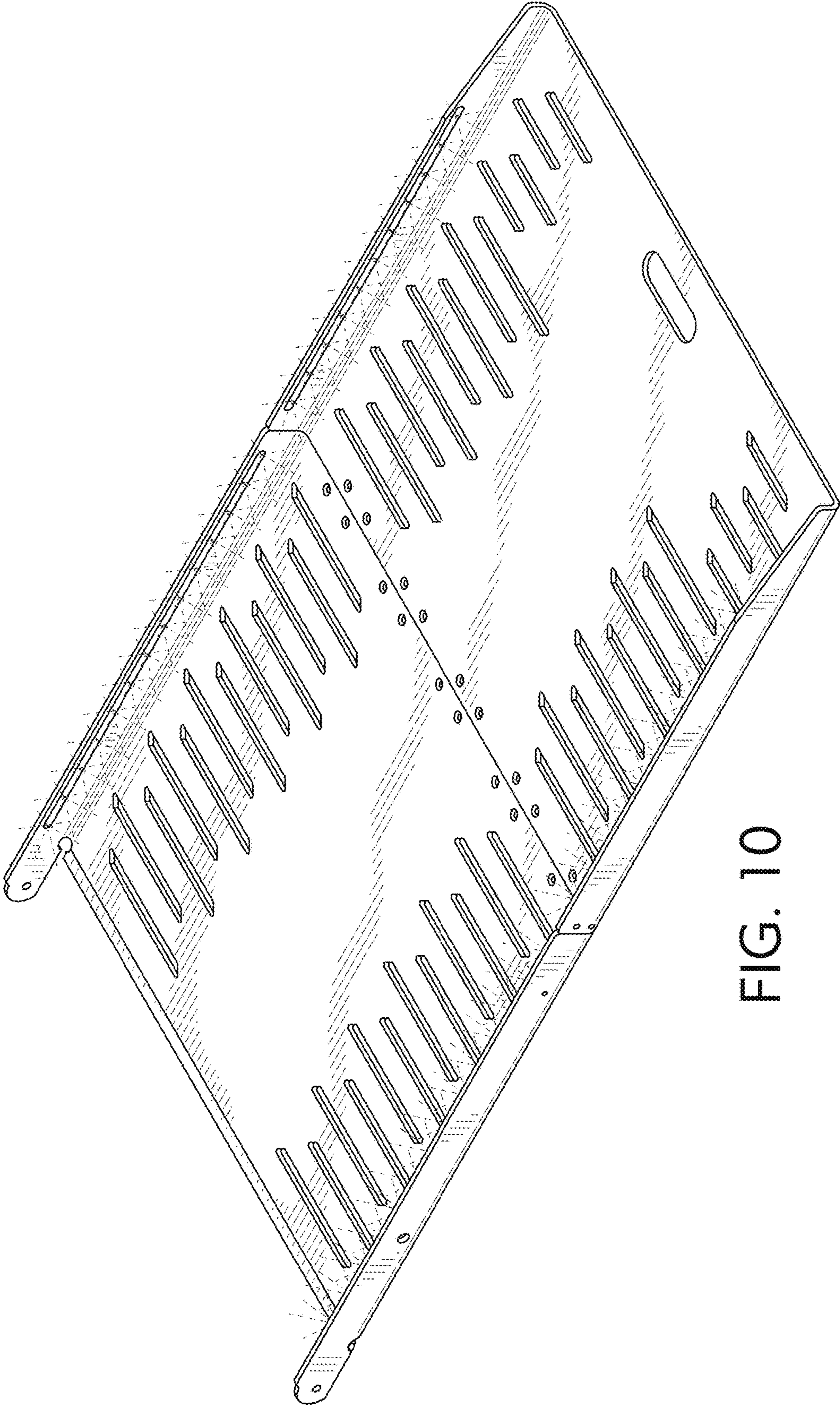


FIG. 10

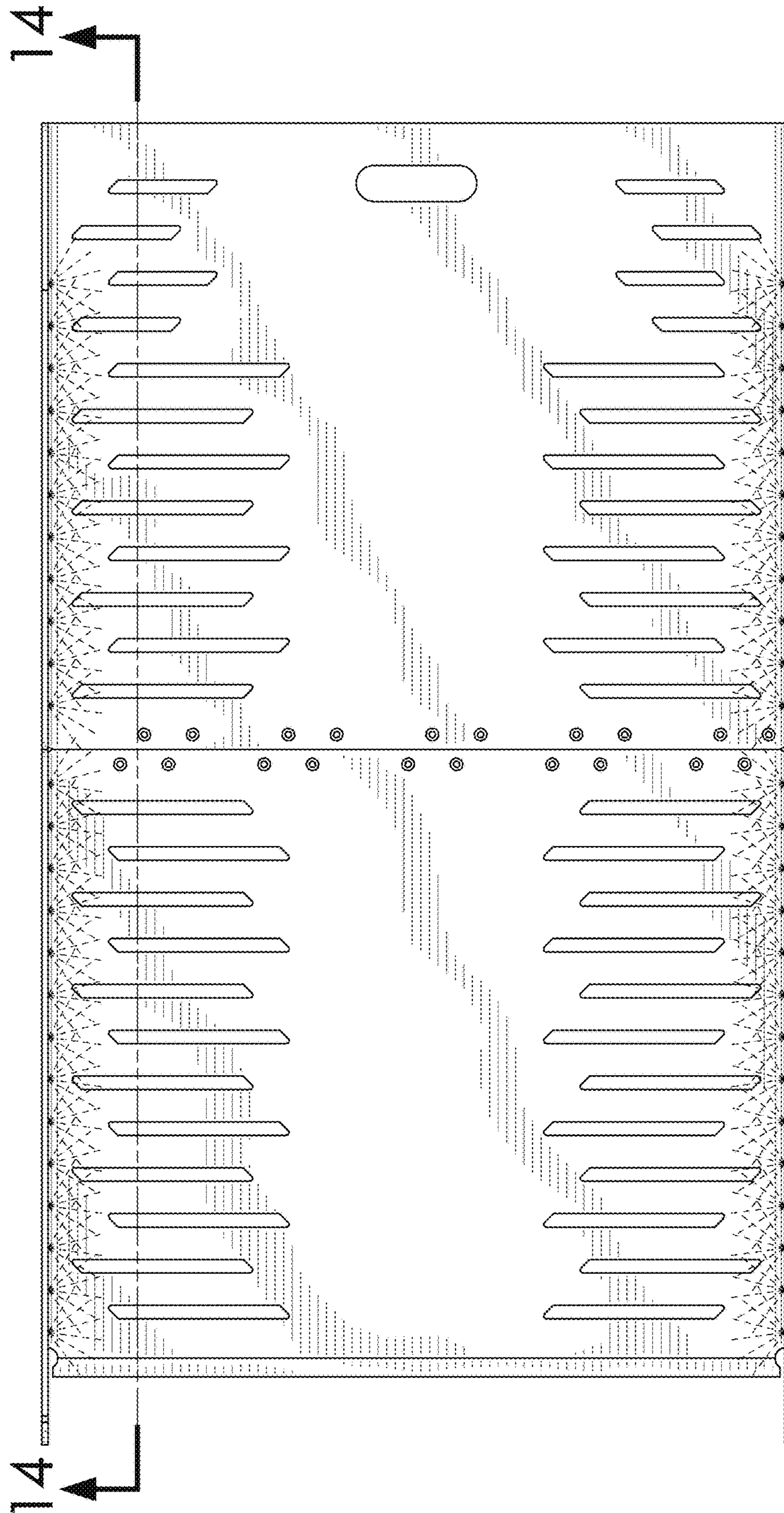


FIG. 17



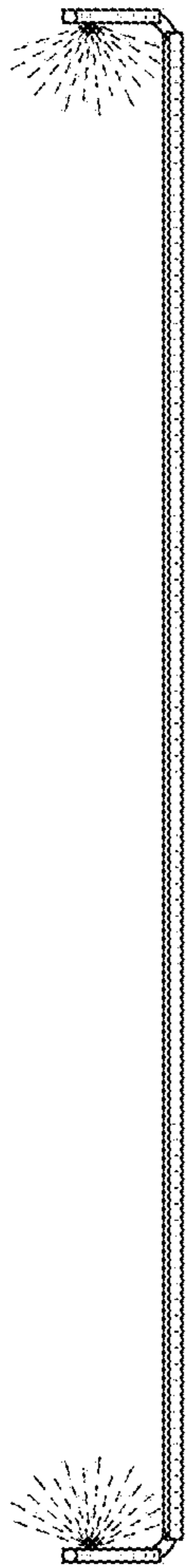


FIG. 12



FIG. 13

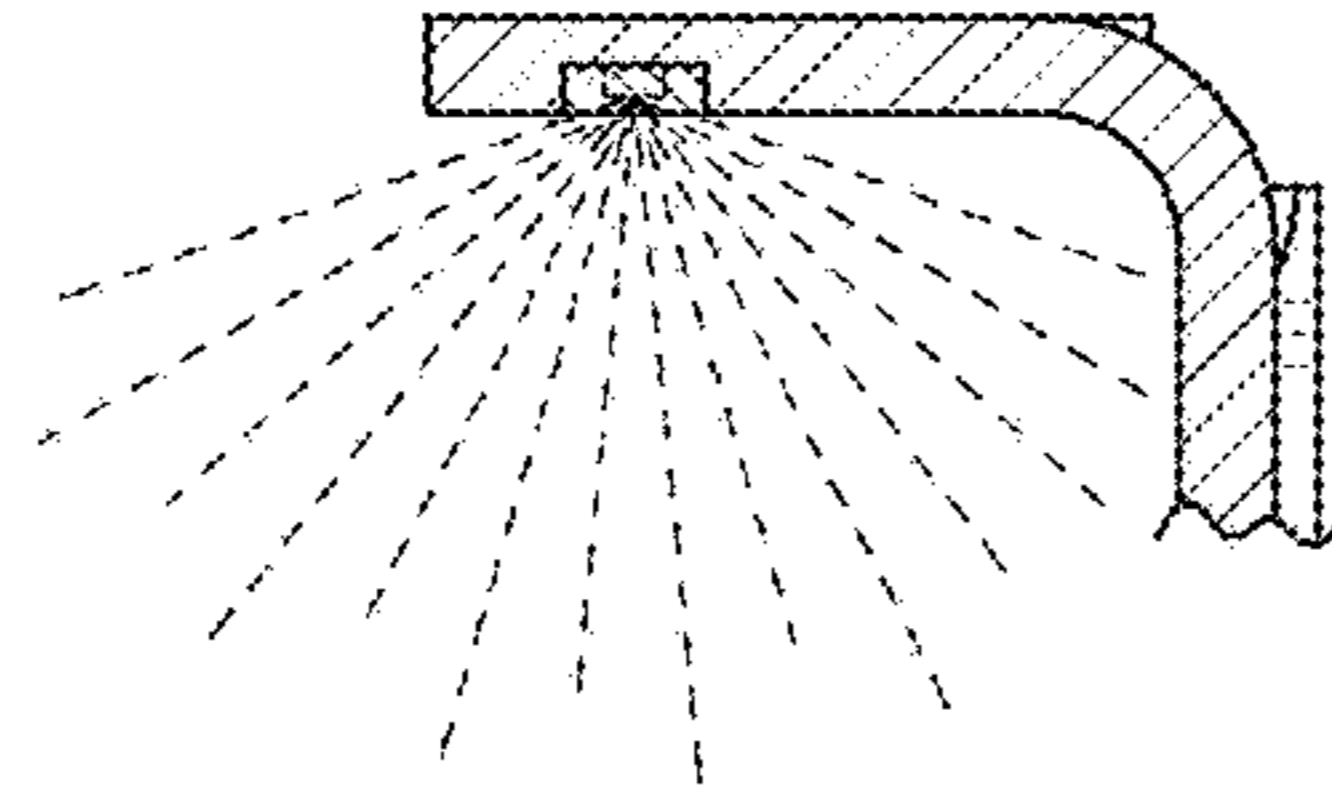


FIG. 15

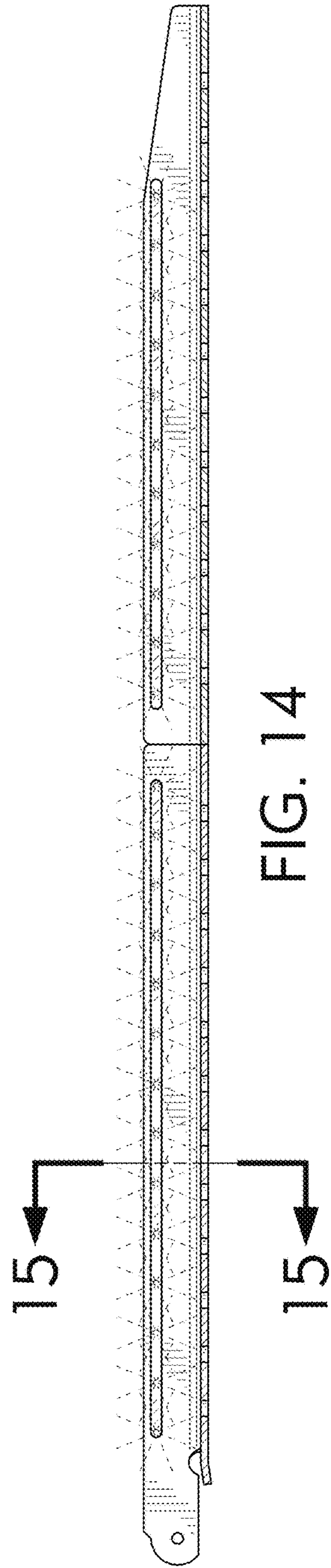


FIG. 14