



US00D804764S

(12) **United States Design Patent**  
**Emery et al.**

(10) **Patent No.:** **US D804,764 S**

(45) **Date of Patent:** **\*\* Dec. 5, 2017**

(54) **LARGE ALL TERRAIN UTILITY CART**

(71) Applicants: **Warren Emery**, Conshohocken, PA  
(US); **Kenneth Hayes**, Warminster, PA  
(US)

(72) Inventors: **Warren Emery**, Conshohocken, PA  
(US); **Kenneth Hayes**, Warminster, PA  
(US)

(\*\*) Term: **15 Years**

(21) Appl. No.: **29/563,778**

(22) Filed: **May 7, 2016**

(51) **LOC (10) Cl.** ..... **12-02**

(52) **U.S. Cl.**  
USPC ..... **D34/17; D34/12**

(58) **Field of Classification Search**  
USPC ..... D34/1-272; 280/47.24, 47.34, 656  
CPC ... B62B 2206/404; B62B 5/0083; B62B 3/00;  
B62B 3/10; B62B 3/002; B65F 1/1468  
See application file for complete search history.

(56) **References Cited**

**U.S. PATENT DOCUMENTS**

5,040,808 A \* 8/1991 McIntyre ..... B62B 1/18  
248/129  
D339,440 S \* 9/1993 Dick ..... D34/12

D365,716 S \* 1/1996 Rose, Sr. .... D6/552  
D384,464 S \* 9/1997 Tonzillo ..... D34/12  
D395,110 S \* 6/1998 O'Neal ..... 280/47.24  
D417,054 S \* 11/1999 Dziengielewski ..... D34/17  
D451,257 S \* 11/2001 Moritsch ..... D34/20  
D763,532 S \* 8/2016 Huang ..... D34/12  
D767,231 S \* 9/2016 Blitzer ..... D34/16  
9,714,060 B2 \* 7/2017 Aiello ..... B62D 63/061

\* cited by examiner

*Primary Examiner* — Cynthia Ramirez

(57) **CLAIM**

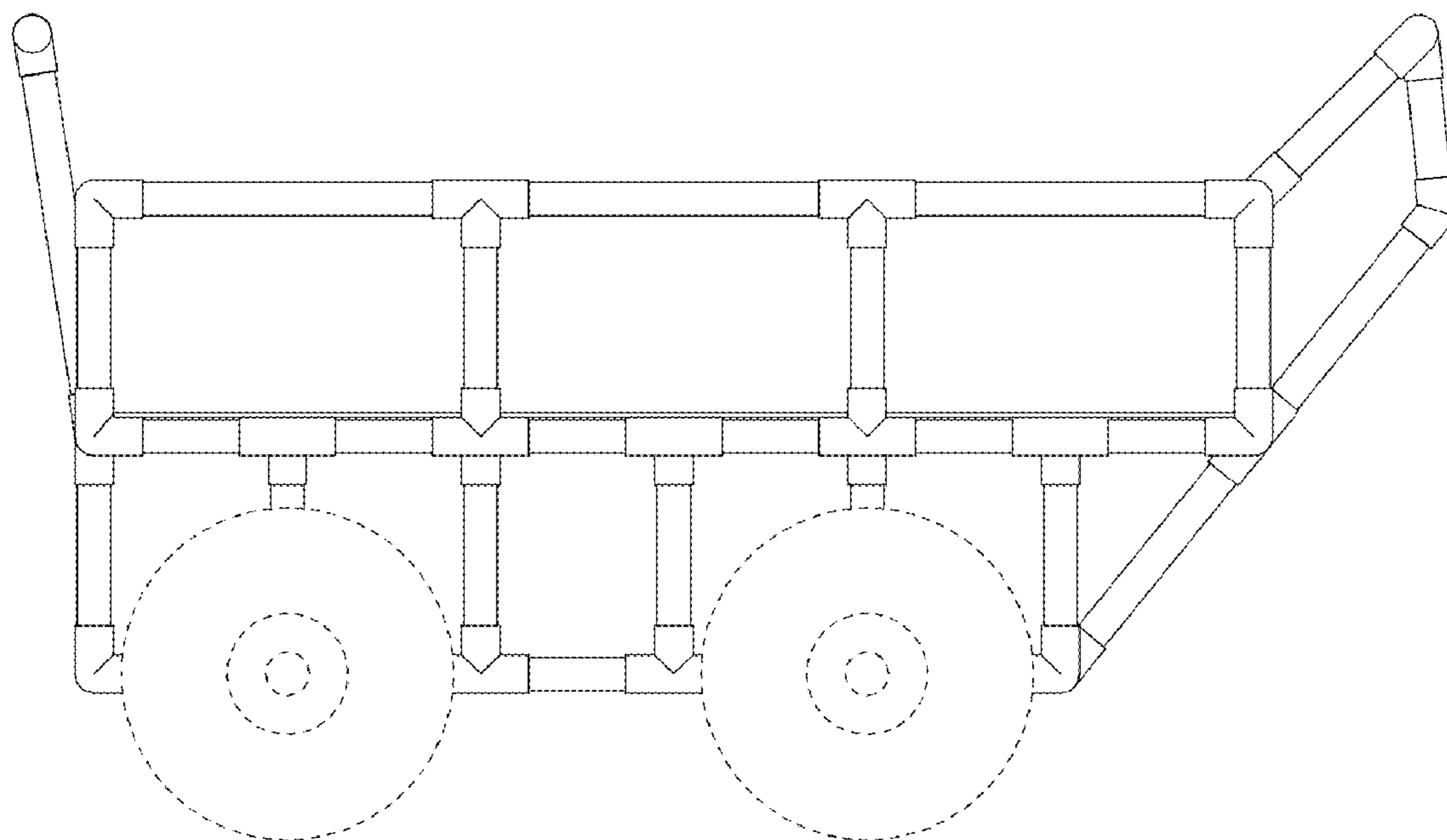
The ornamental design for a large all terrain utility cart, as shown and described.

**DESCRIPTION**

FIG. 1 is a left side elevation view of the large all terrain utility cart showing our new design; FIG. 2 is a left elevation view thereof; FIG. 3 is a rear elevation view thereof; FIG. 4 is a front elevation view thereof; FIG. 5 is a top plan view thereof; and, FIG. 6 is a bottom plan view thereof.

The dashed lines in the drawings are to show portions of the large all terrain utility cart only and form no part of the claimed design.

**1 Claim, 3 Drawing Sheets**



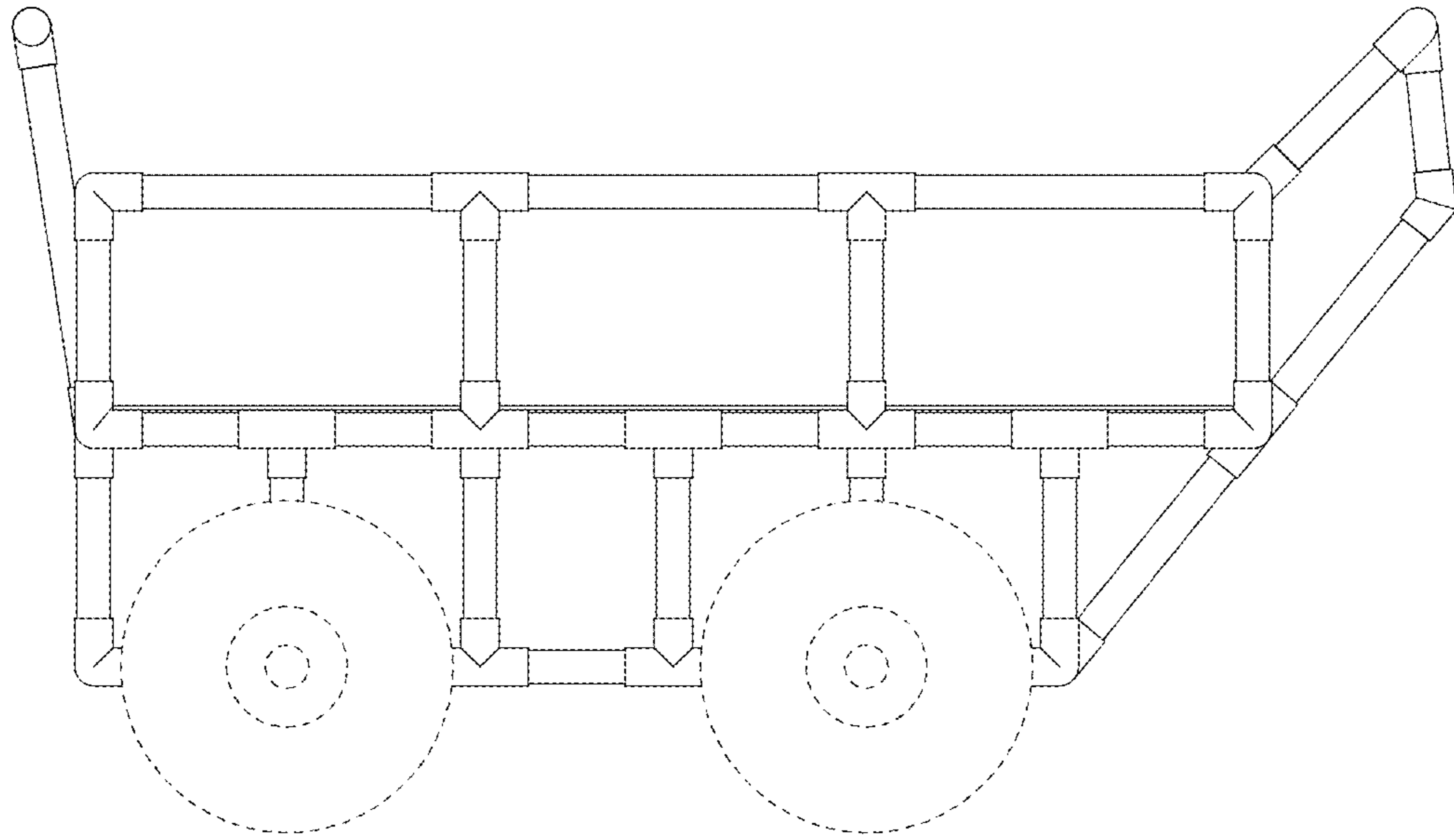


Fig.1

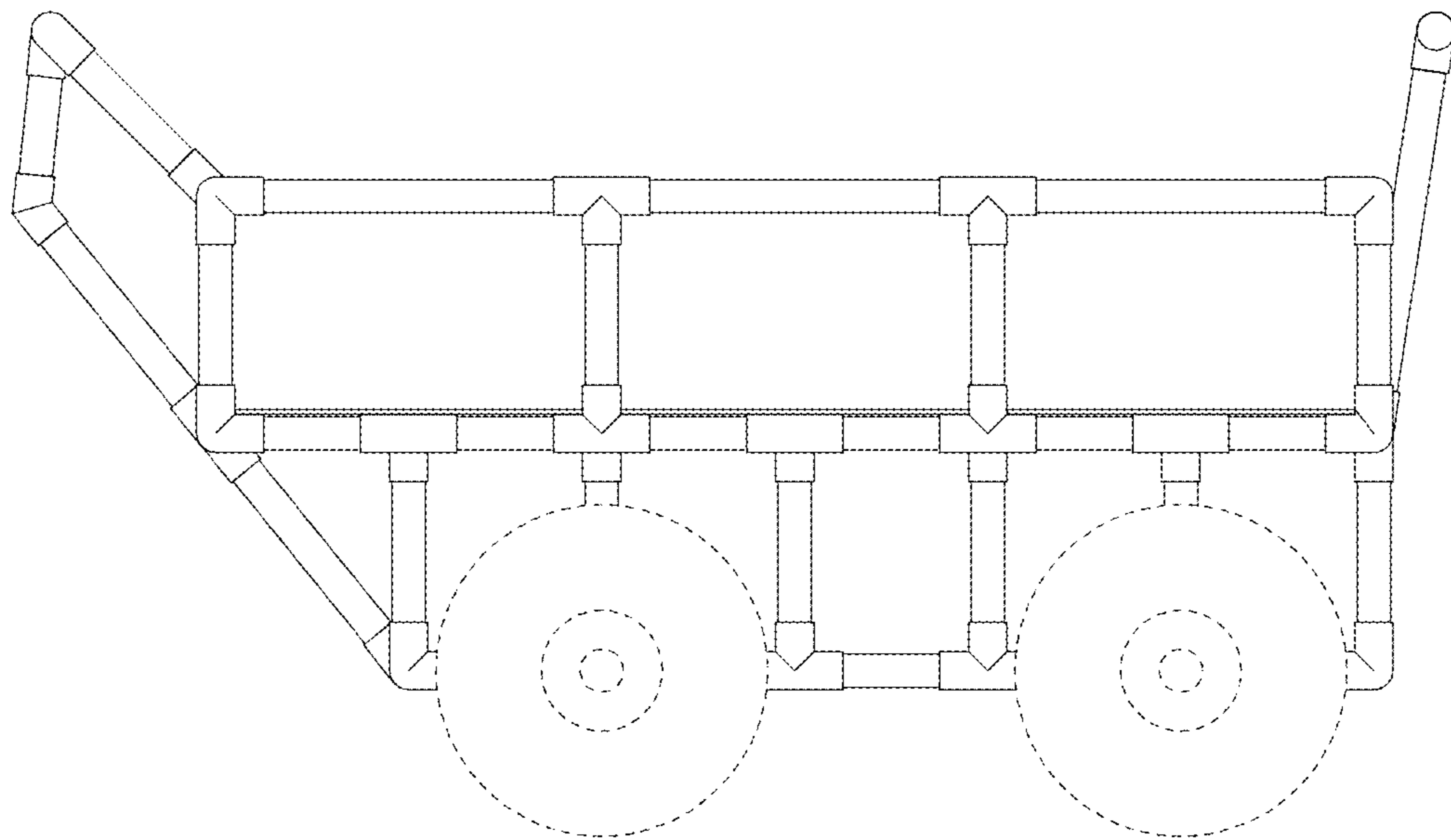


Fig.2

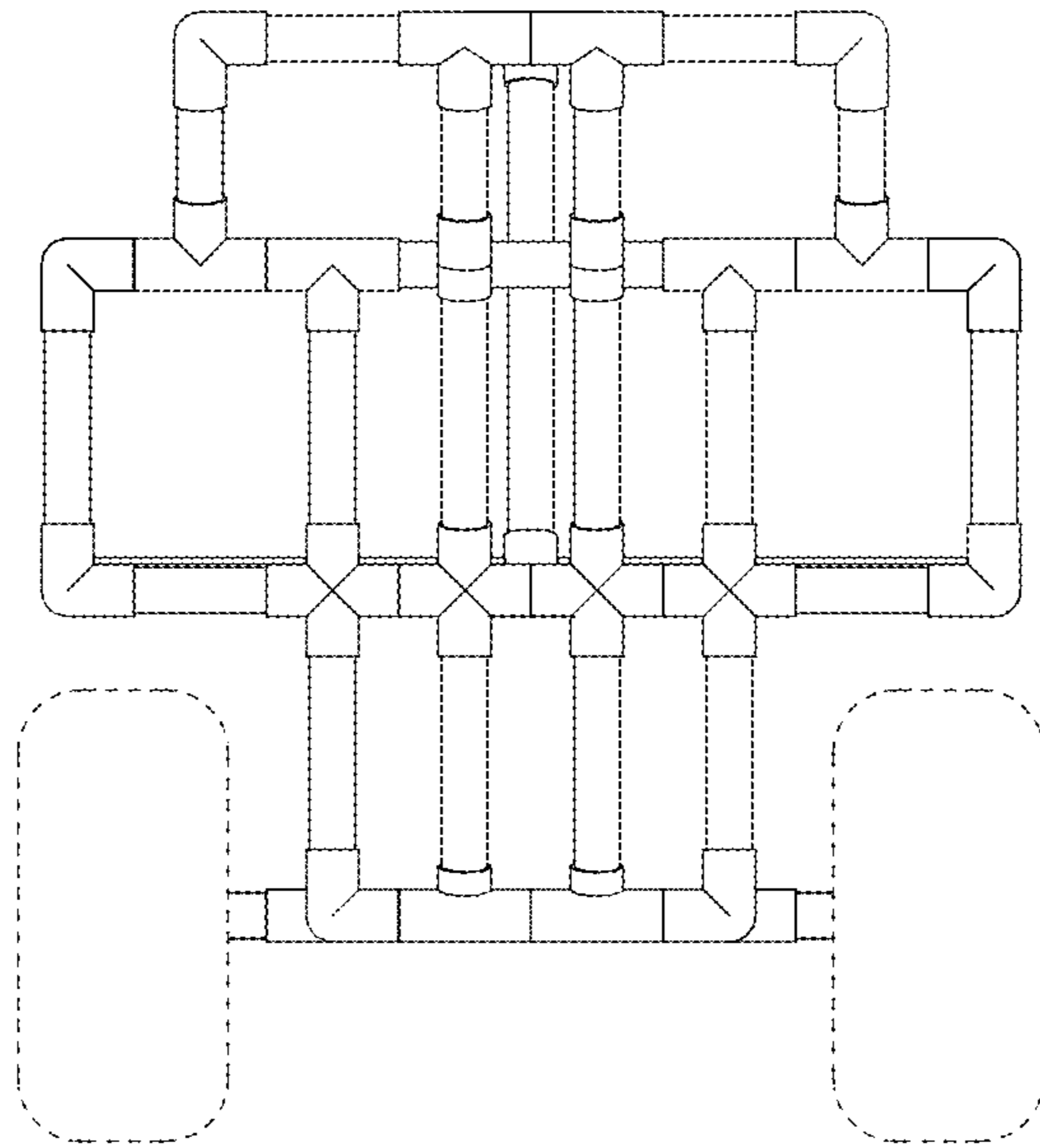


Fig.3

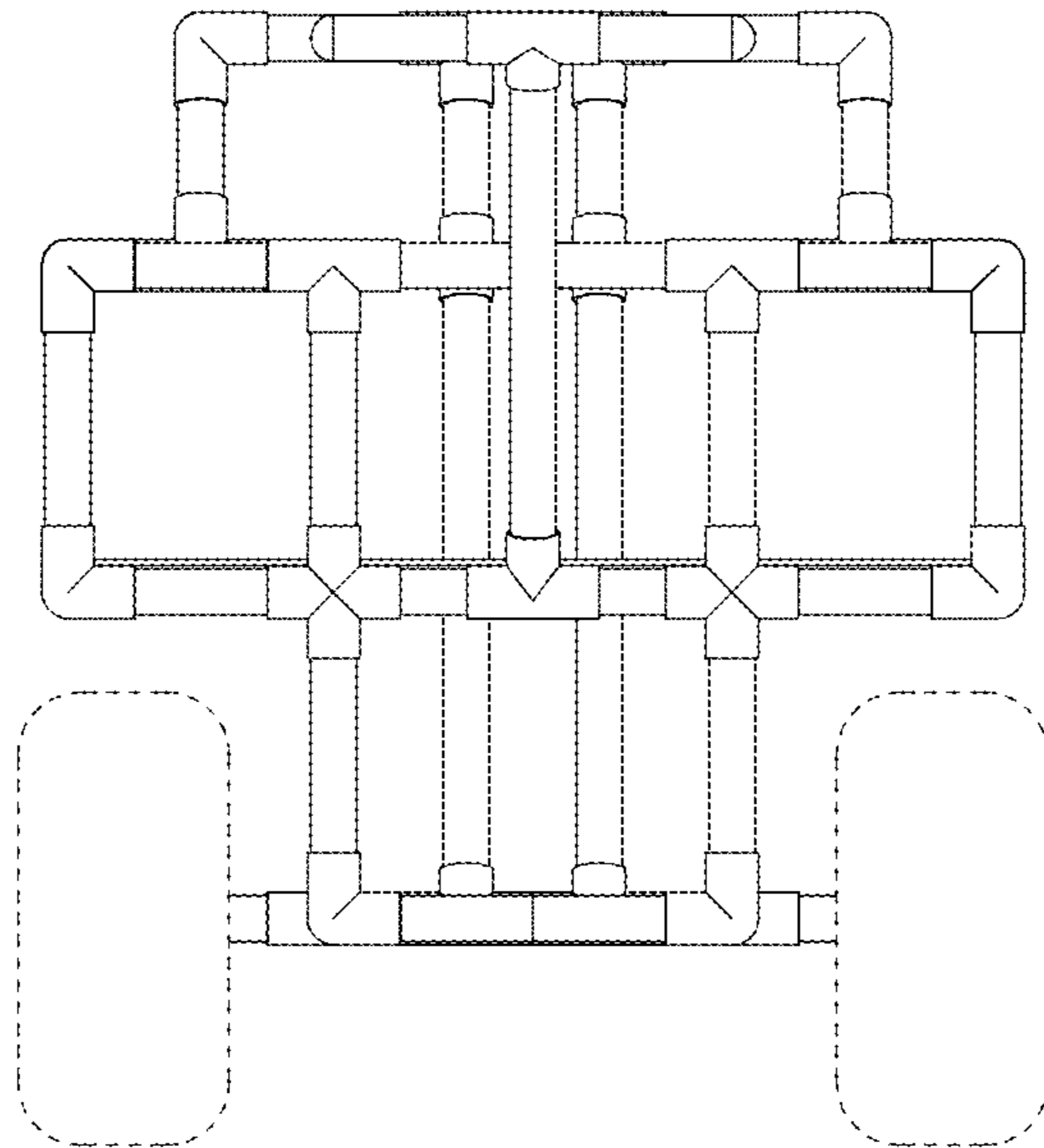


Fig.4

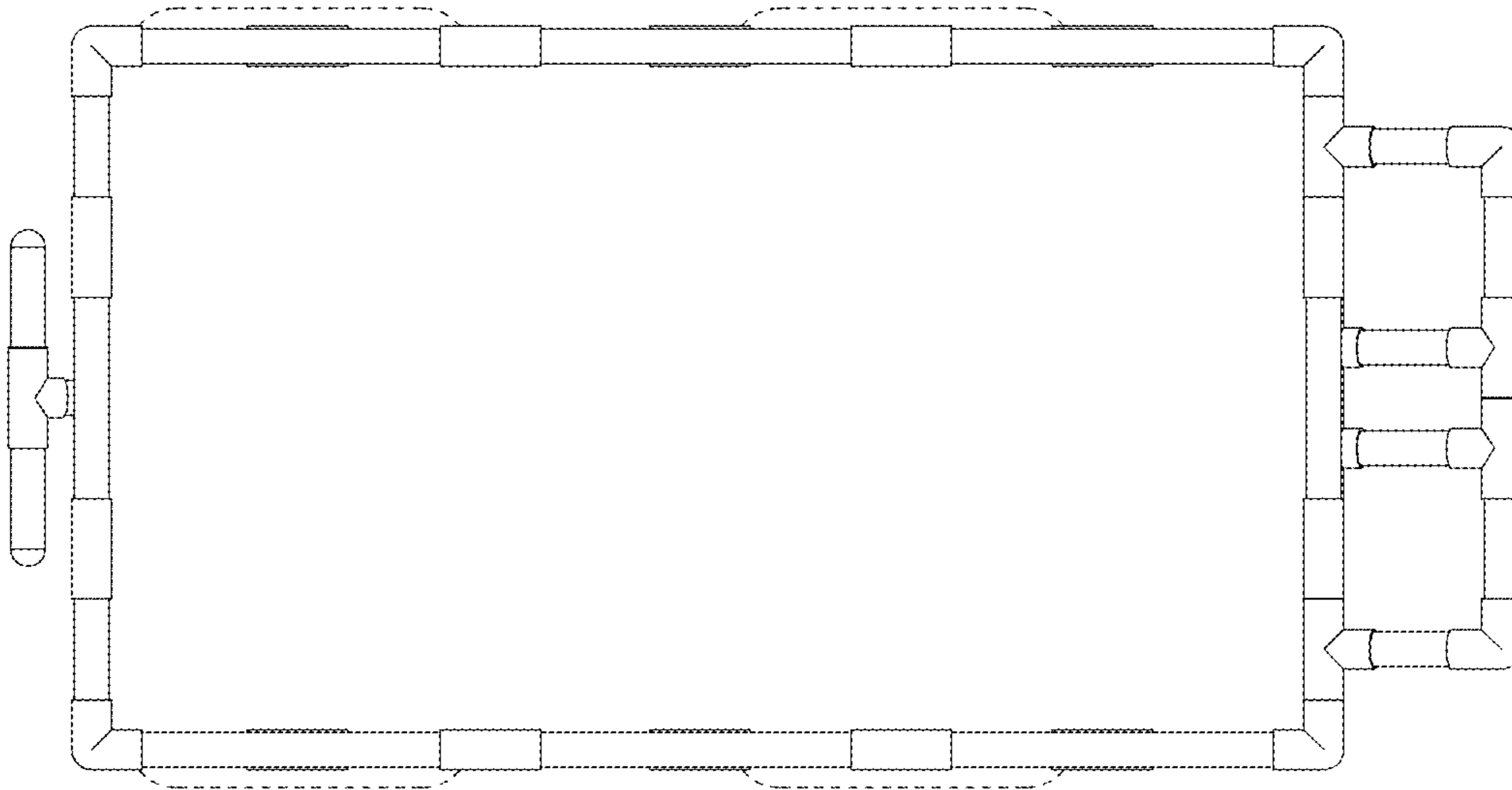


Fig.5

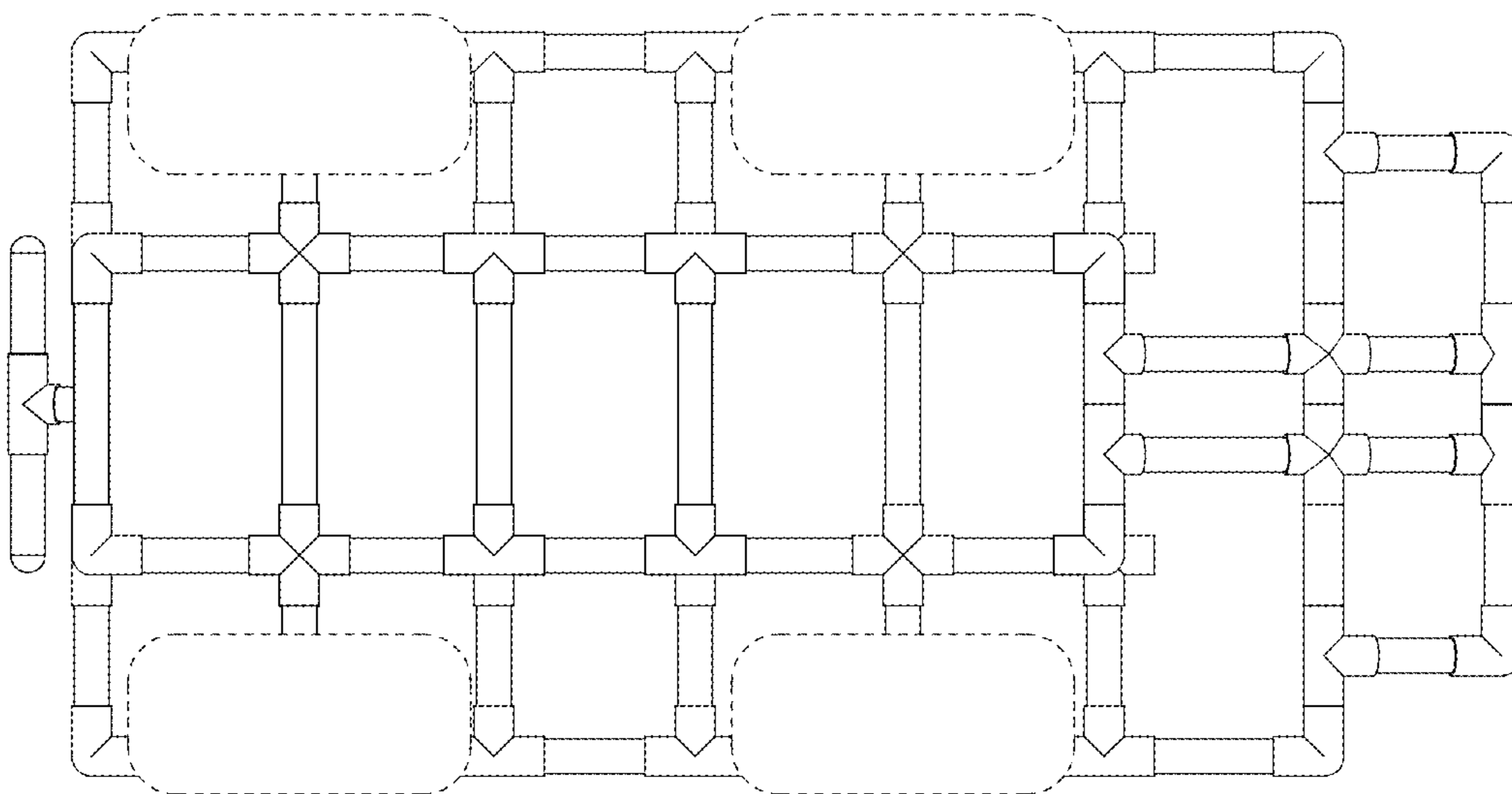


Fig.6