



US00D804763S

(12) **United States Design Patent** (10) **Patent No.:** **US D804,763 S**
Lopez (45) **Date of Patent:** **** Dec. 5, 2017**

(54) **WHEELBARROW FRAME WEIGHT HOLDER**

(71) Applicant: **Swan Lopez**, Aguanga, CA (US)

(72) Inventor: **Swan Lopez**, Aguanga, CA (US)

(**) Term: **15 Years**

(21) Appl. No.: **29/564,141**

(22) Filed: **May 11, 2016**

(51) **LOC (10) Cl.** **12-02**

(52) **U.S. Cl.**
USPC **D34/16**

(58) **Field of Classification Search**
USPC D34/12, 15, 16, 27; 280/47.31, 653,
280/47.18, 47.23, 47.26, 47.11
CPC B62B 1/208; B62B 1/20; B62B 1/065;
B62B 3/03; B62B 3/10; B62B 3/005;
B62B 3/06; B62B 3/002; B62B 3/1496;
B62B 3/1404; B62B 3/182; B62B 3/186
See application file for complete search history.

(56) **References Cited**

U.S. PATENT DOCUMENTS

3,552,760 A * 1/1971 Sine B62B 1/208
280/47.31

3,722,904 A * 3/1973 Puckett B62B 1/208
280/47.31

D257,587 S * 12/1980 Doyich D34/12

5,033,760 A * 7/1991 Evans B62B 1/20
280/47.26

5,149,116 A * 9/1992 Donze B62B 1/20
280/47.26

5,465,801 A * 11/1995 Hoover B62D 51/065
180/13

D404,534 S * 1/1999 Dickson D34/16

D461,613 S * 8/2002 Schaefer, III D34/16

D515,766 S * 2/2006 Dunbar D34/12

D577,174 S * 9/2008 Schneider D34/16

D577,475 S * 9/2008 Schneider D34/16

D582,622 S * 12/2008 Schneider D34/16

D778,521 S * 2/2017 Bell D34/16

* cited by examiner

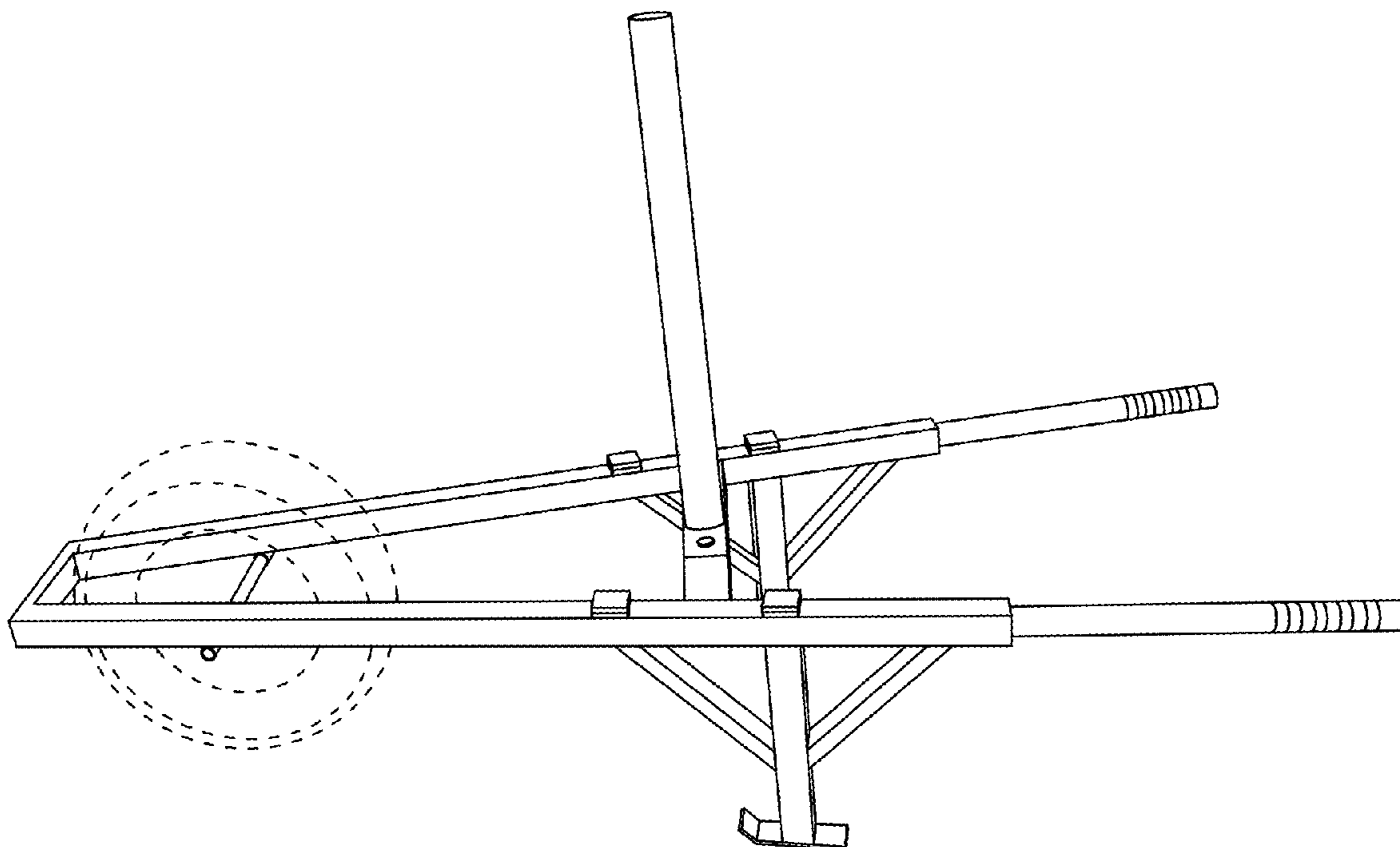
Primary Examiner — Cynthia Ramirez
(74) *Attorney, Agent, or Firm* — Vincent G. LoTempio;
Kloss, Stenger & LoTempio; David T. Stephenson

(57) **CLAIM**
The ornamental design for a wheelbarrow frame weight holder, as shown and described.

DESCRIPTION

FIG. 1 is a left perspective view of the wheelbarrow frame weight holder showing my new design;
FIG. 2 is a top view thereof;
FIG. 3 is bottom view thereof;
FIG. 4 is a front view thereof;
FIG. 5 is a rear view thereof;
FIG. 6 is a left view thereof;
FIG. 7 is a right view thereof; and,
FIG. 8 is a perspective view thereof.
The broken lines shown in FIG. 1 through FIG. 8 represent environment and form no part of the claimed design.

1 Claim, 7 Drawing Sheets



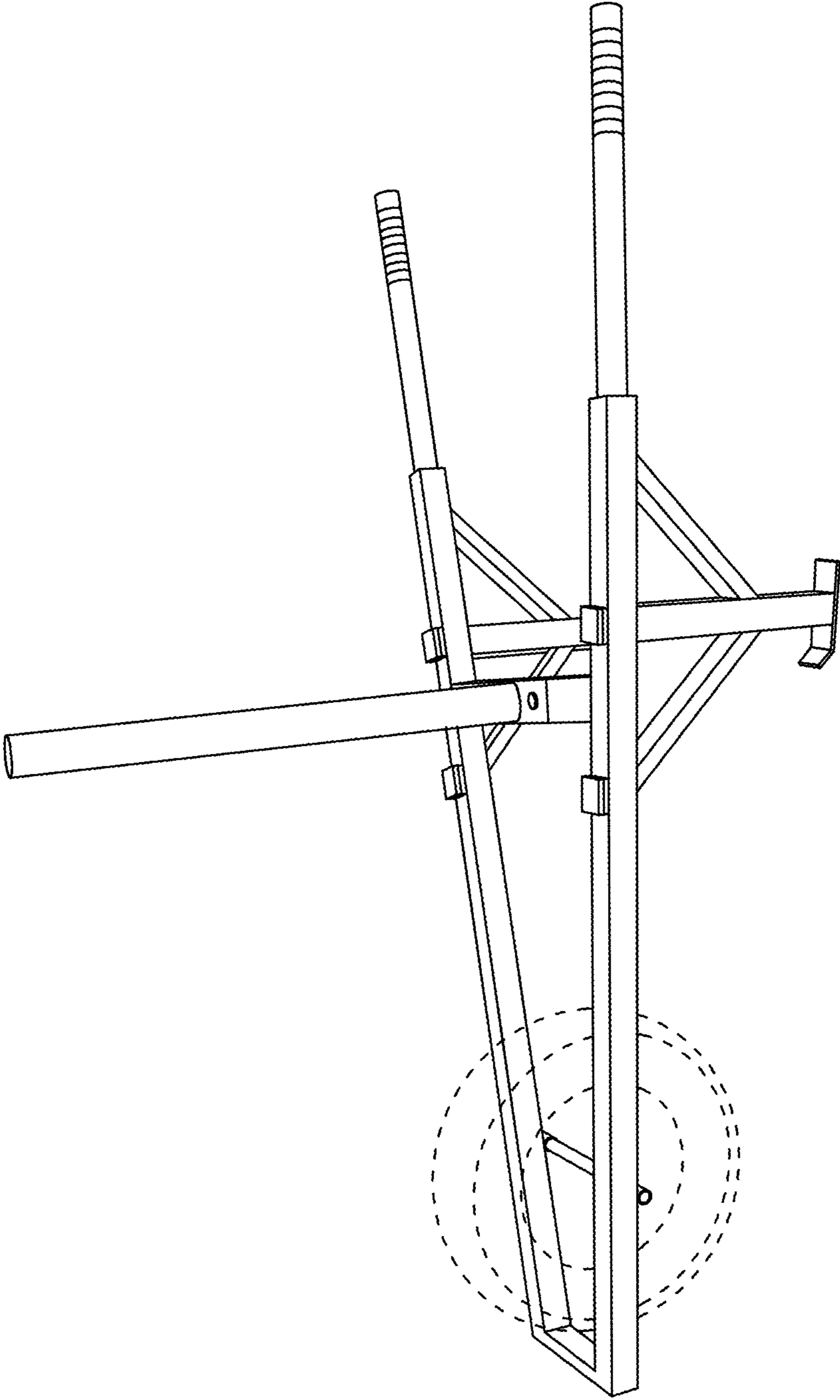


FIG. 1

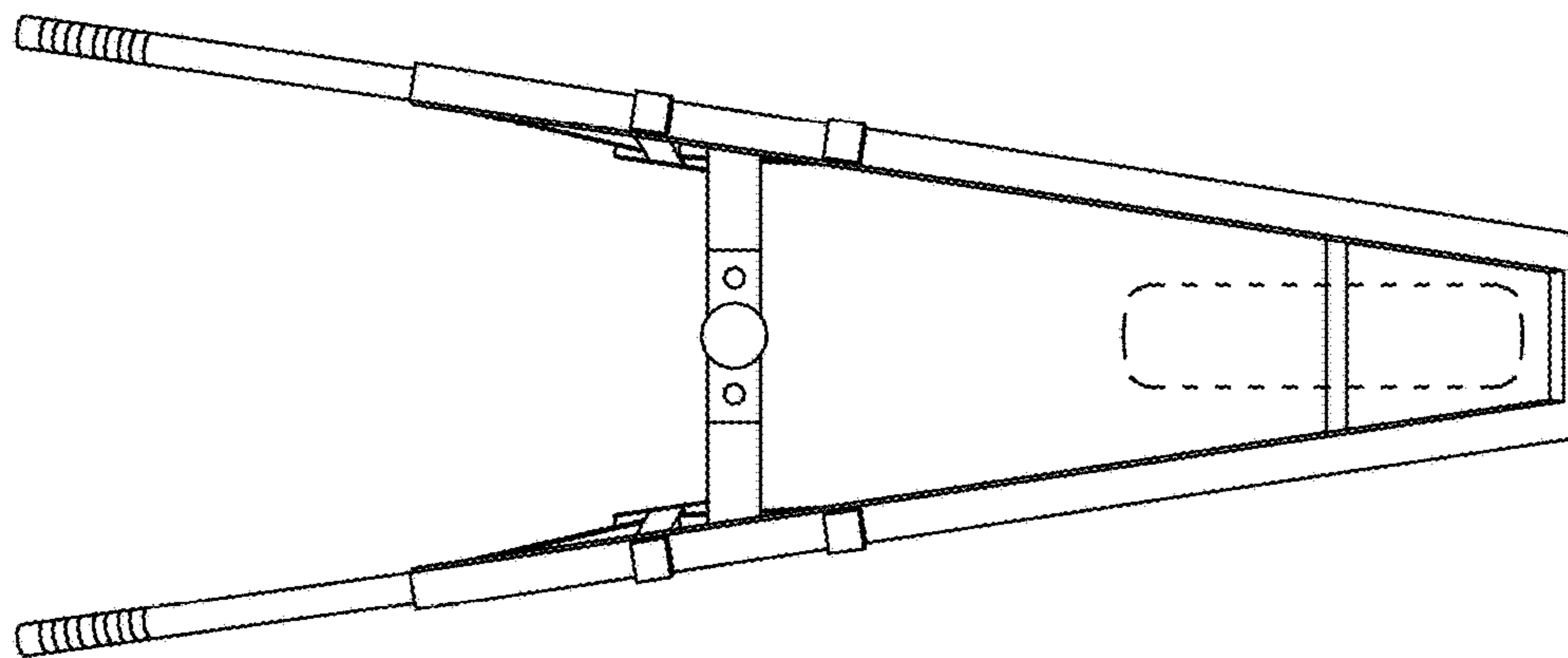


FIG. 2

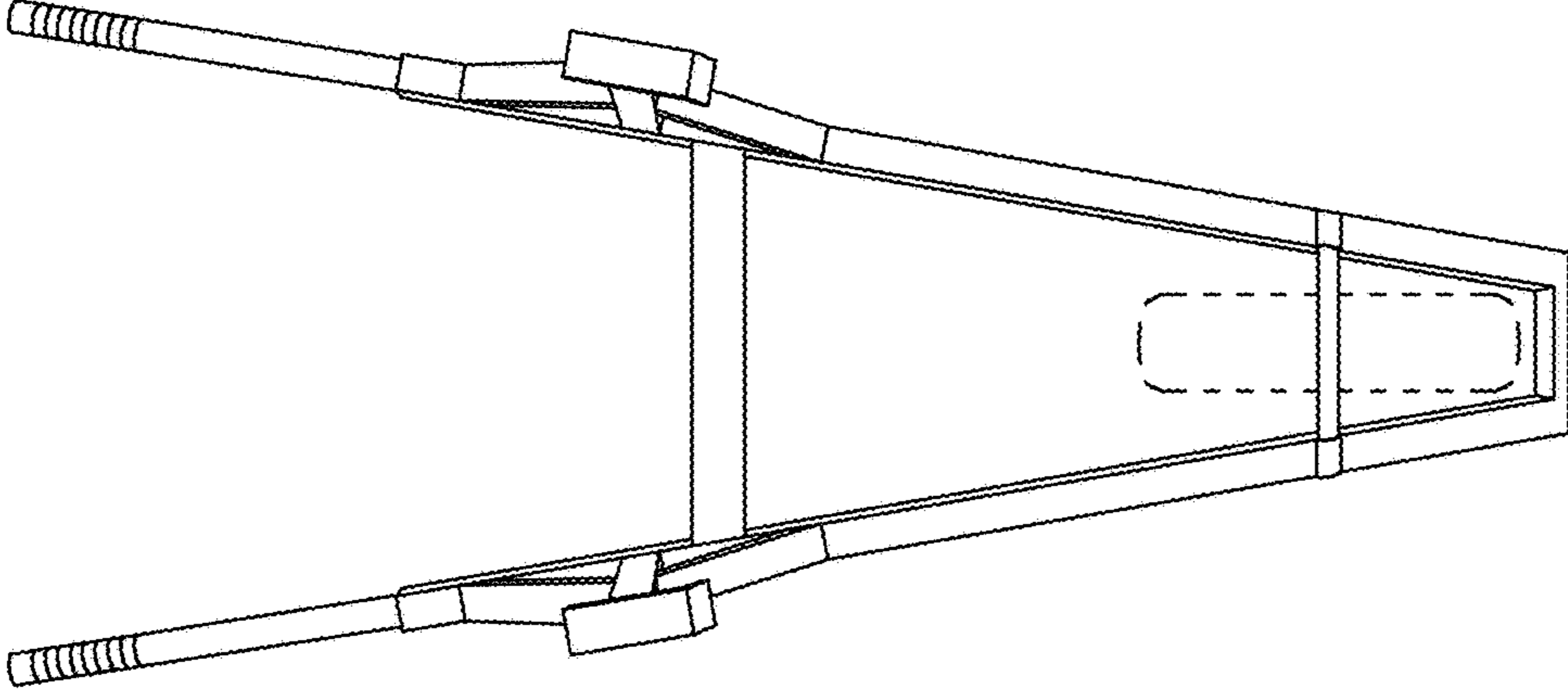


FIG. 3

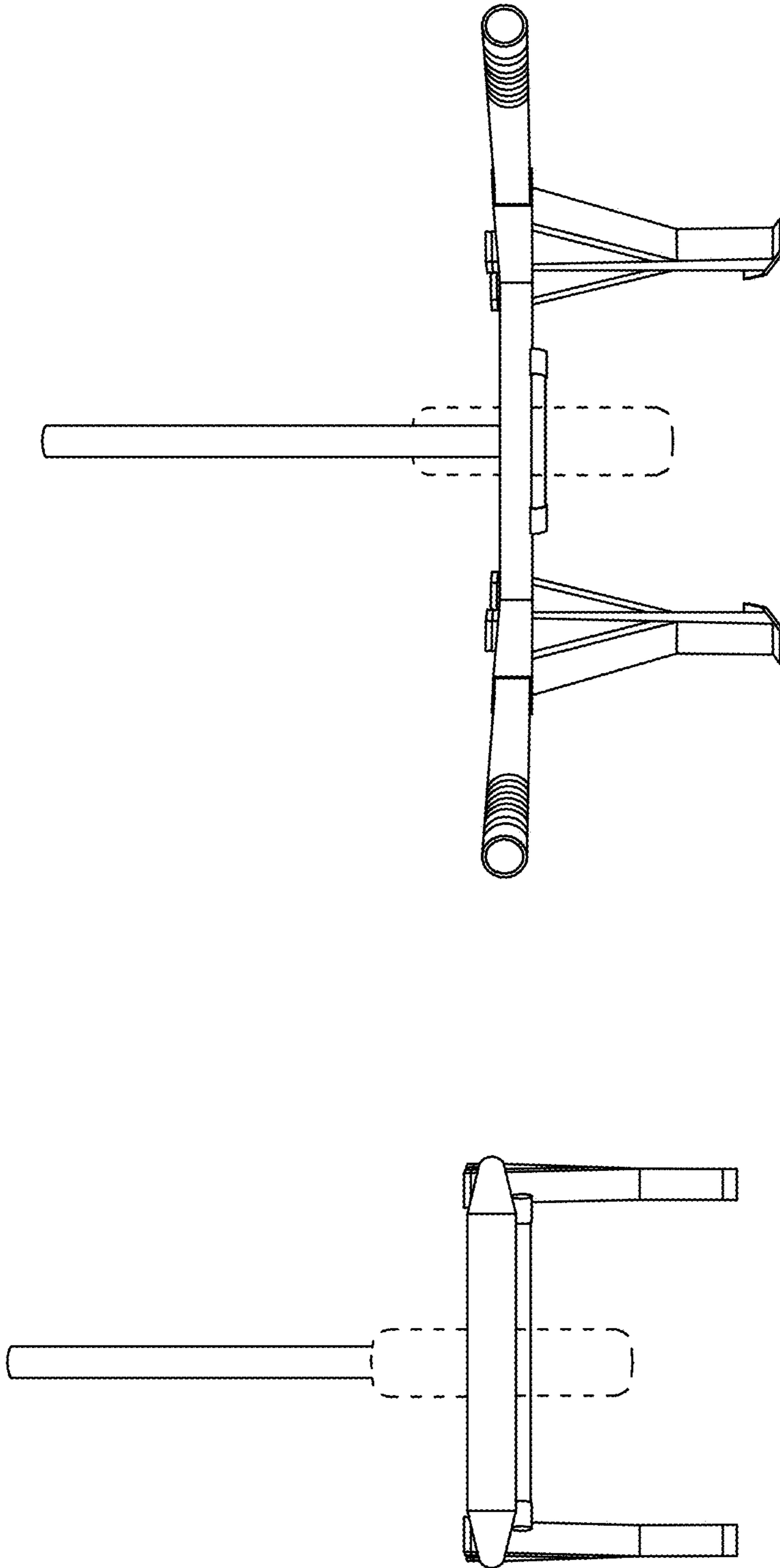


FIG. 5

FIG. 4

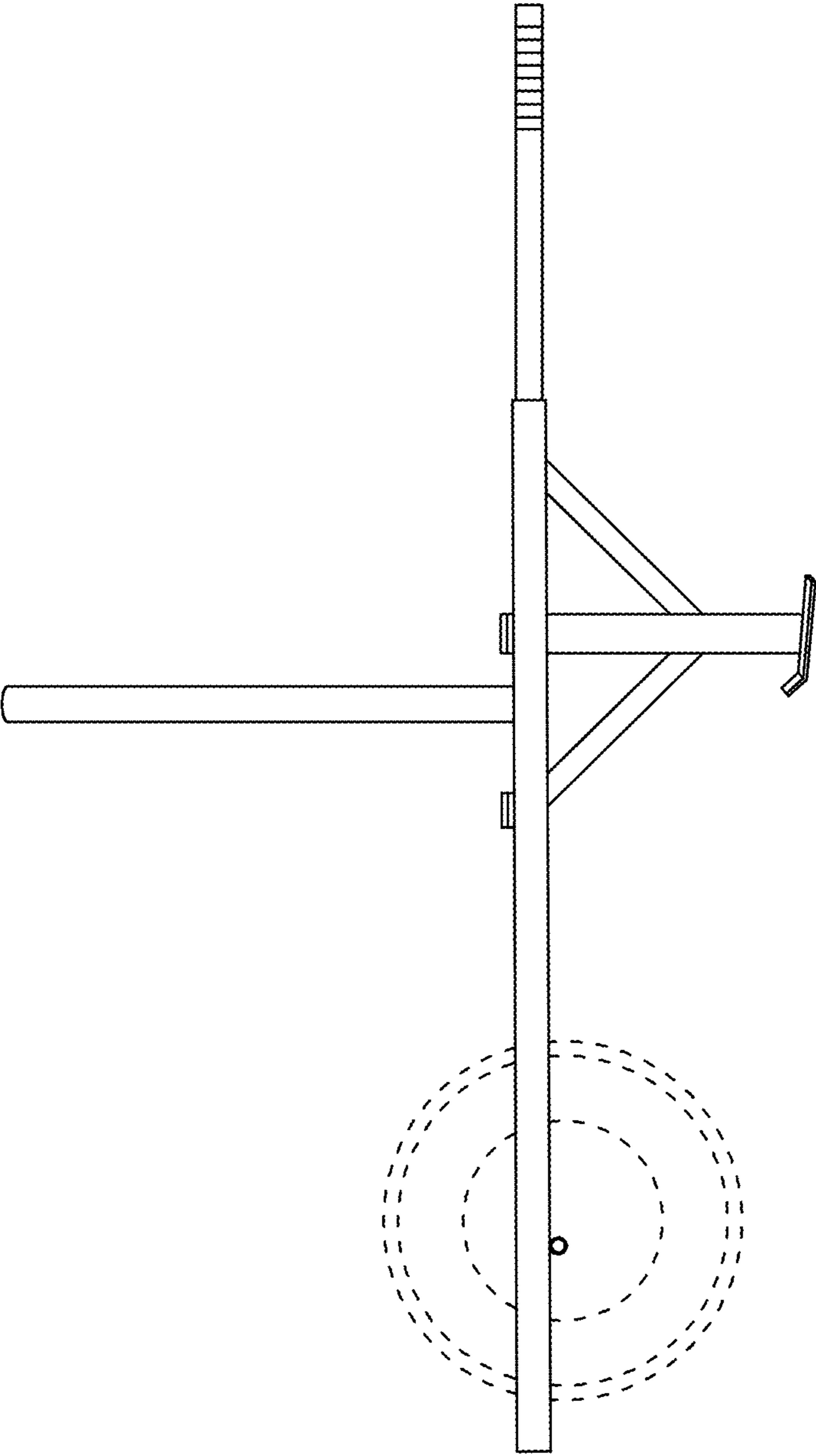


FIG. 6

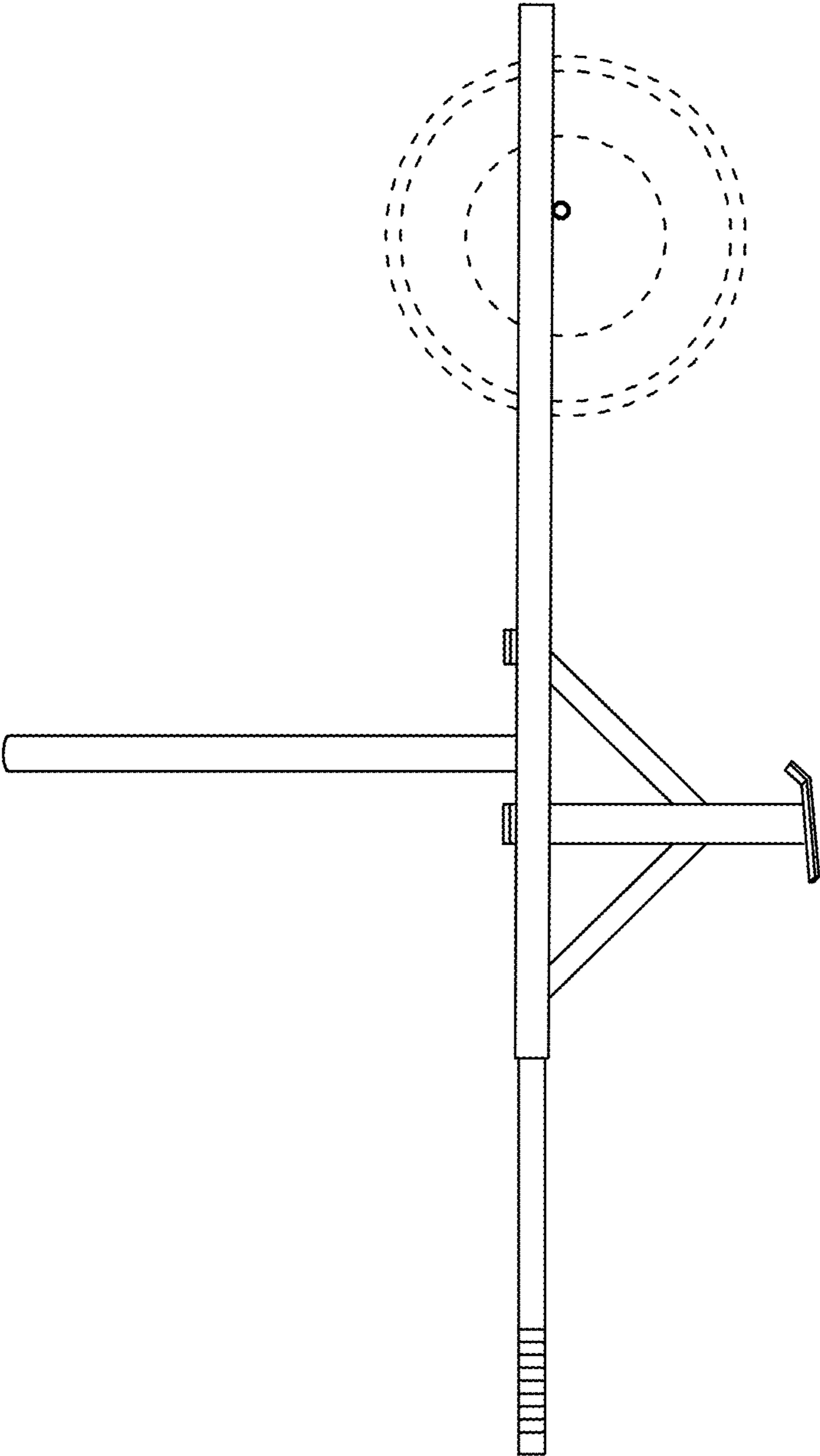


FIG. 7

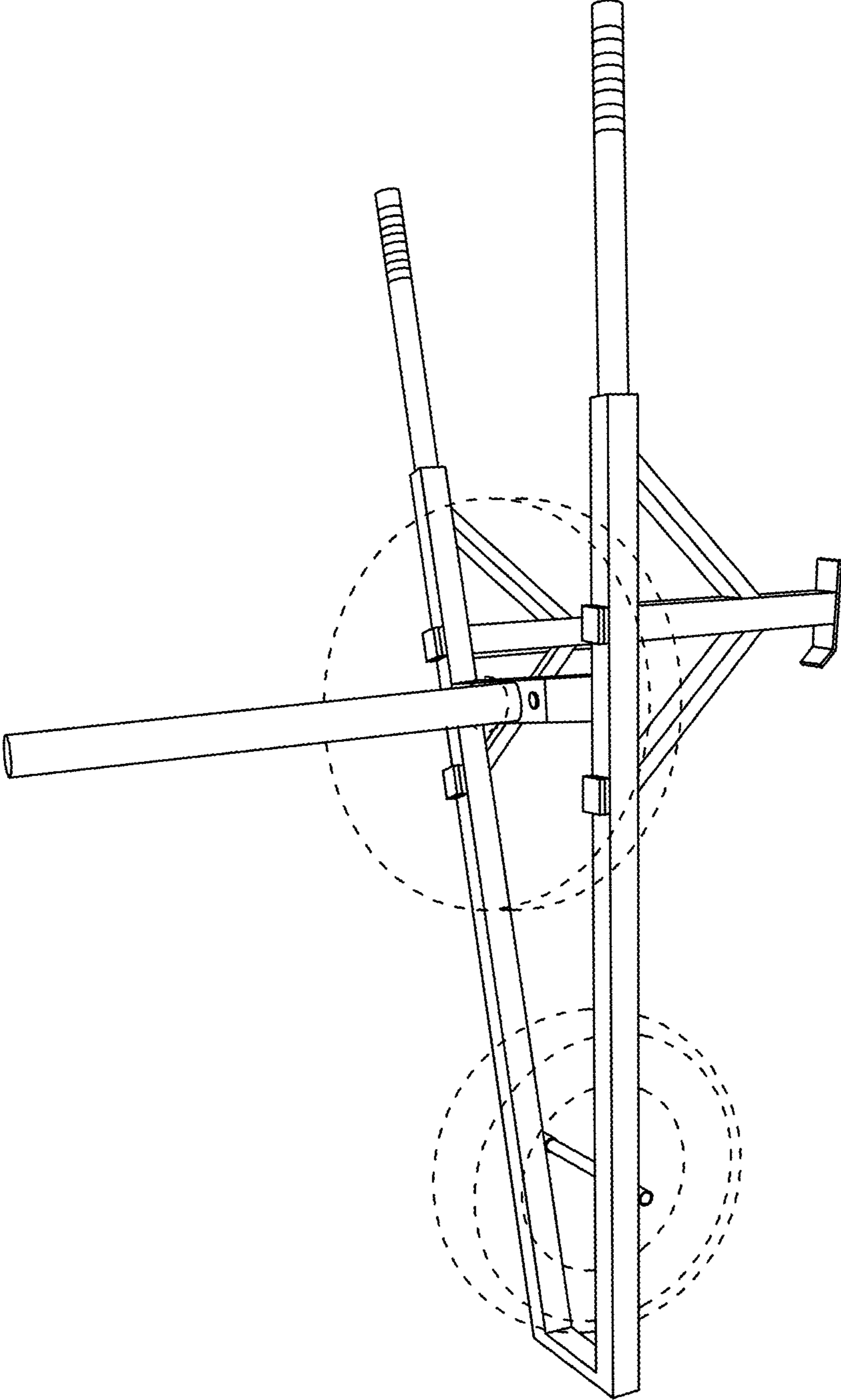


FIG. 8