



US00D804760S

(12) **United States Design Patent** (10) **Patent No.:** **US D804,760 S**
Stark et al. (45) **Date of Patent:** **** *Dec. 5, 2017**

(54) **WASTE RECEPTACLE** 5,743,542 A * 4/1998 Mast B65F 1/1473
280/43
(71) Applicant: **Rubbermaid Commercial Products** 5,776,405 A * 7/1998 Prout B29C 41/003
220/675
LLC, Winchester, VA (US) D398,120 S * 9/1998 Rehrig D34/5
D445,228 S * 7/2001 Apps D34/25
(72) Inventors: **Jeffrey Stark**, Davidson, NC (US); 7,712,623 B2 5/2010 Wentz et al.
Evan Barna, Davidson, NC (US); D624,723 S * 9/2010 Raghunathan D34/5
William M. Charrier, Winchester, VA D643,174 S * 8/2011 Raghunathan D34/5
(US) (Continued)

(73) Assignee: **Rubbermaid Commerical Products**
LLC, Atlanta, GA (US)

(*) Notice: This patent is subject to a terminal disclaimer.

(**) Term: **15 Years**

(21) Appl. No.: **29/573,147**

(22) Filed: **Aug. 3, 2016**

(51) **LOC (10) Cl.** **09-09**

(52) **U.S. Cl.**
USPC **D34/6**

(58) **Field of Classification Search**
USPC D34/1, 2, 3, 4, 5, 6, 7, 8, 9, 10, 11, 12,
D34/13, 14, 17, 19, 20, 21, 25; 220/255,
220/495, 500, 625, 262, 263, 264, 908,
220/908.1, 909, 910, 911, 694, 675;
232/43.1-43.5; 280/47.26; 264/310
CPC B65F 1/1473; B65F 1/1615; B65F 1/16;
B65F 1/163; B65F 2250/114; B65F
2250/12
See application file for complete search history.

(56) **References Cited**

U.S. PATENT DOCUMENTS

5,071,024 A 12/1991 Delmerico et al.
D347,095 S * 5/1994 Apps D34/5
5,356,027 A 10/1994 Craft et al.
D355,741 S * 2/1995 Craft D34/1
D388,577 S * 12/1997 Rehrig D34/5

OTHER PUBLICATIONS

WebstaurantStore "Rubbermaid 1971944 Brute 32 Gallon Gray Step-On Rollout Container with Lid", www.WebstaurantStore.com. Apr. 19, 2017. shown in p. 1, Item # 6901971944GY.*

Primary Examiner — Cynthia Ramirez
Assistant Examiner — Michael Maharajh

(74) *Attorney, Agent, or Firm* — Eversheds Sutherland
(US) LLP

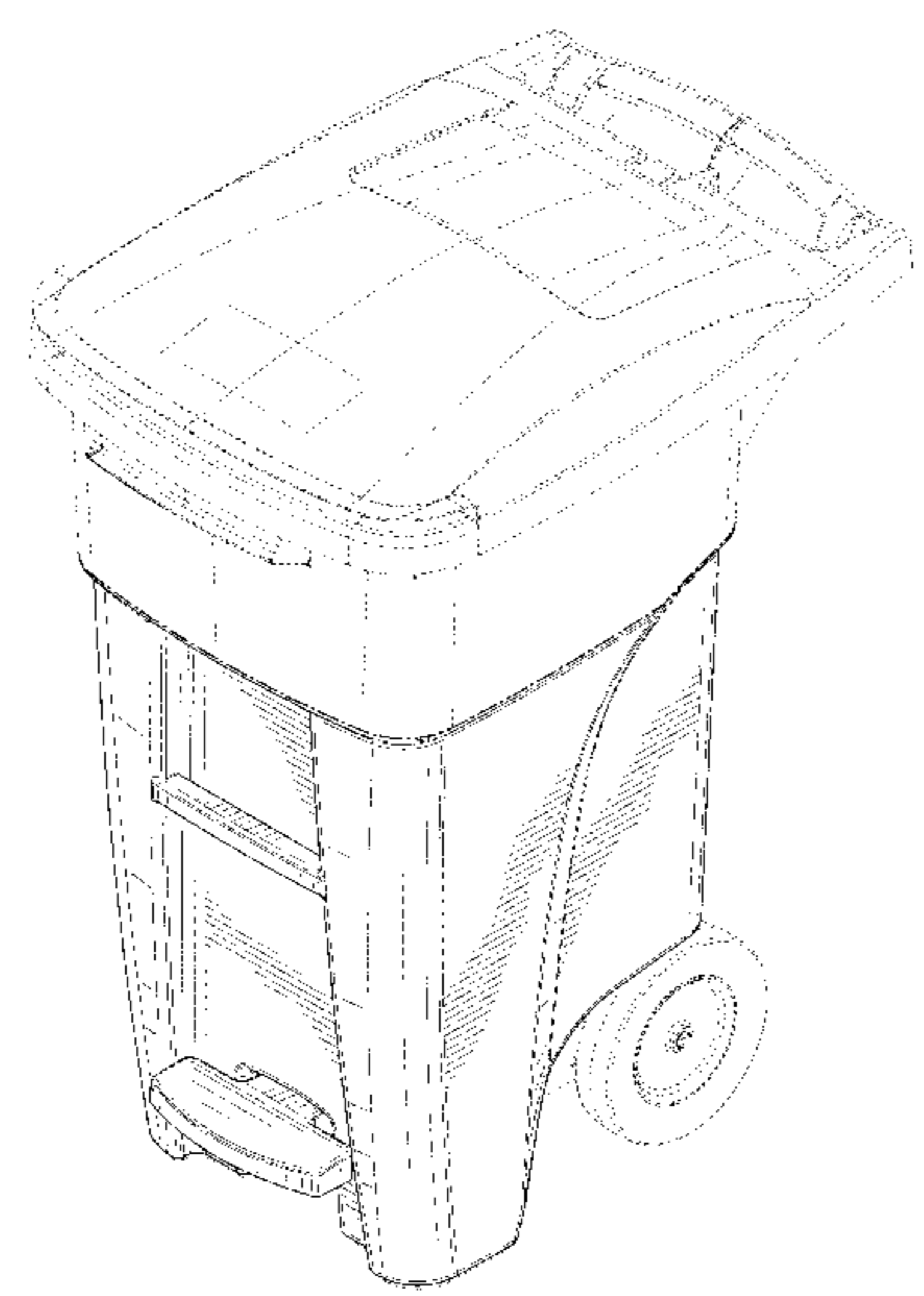
(57) **CLAIM**

We claim the ornamental design for a waste receptacle, as shown and described.

DESCRIPTION

FIG. 1 is an upper perspective view of a waste receptacle, showing our new design;
FIG. 2 is a lower perspective view showing the design of FIG. 1;
FIG. 3 is a front view showing the design of FIG. 1;
FIG. 4 is a left side view showing the design of FIG. 1;
FIG. 5 is a right side view showing the design of FIG. 1;
FIG. 6 is a back view showing the design of FIG. 1;
FIG. 7 is a top view showing the design of FIGS. 1; and,
FIG. 8 is a bottom view showing the design of FIG. 1.
The evenly spaced broken lines shown in the figures are for the purpose of illustrating portions of the waste receptacle and form no part of the claimed design. The dash-dot lines represent claim boundaries and form no part of the claimed design.

1 Claim, 8 Drawing Sheets



(56)

References Cited

U.S. PATENT DOCUMENTS

D657,106 S * 4/2012 Talbot Pouliot D34/5
D707,905 S * 6/2014 Nolet D34/5
D707,906 S * 6/2014 Nolet D34/5
D707,907 S * 6/2014 Nolet D34/5
D707,908 S * 6/2014 Nolet D34/5
D771,893 S * 11/2016 Del Rosario Roy D34/5
2013/0048654 A1 * 2/2013 Kilduff B65F 1/122
220/694
2017/0088352 A1 * 3/2017 Raghunathan B65F 1/1615

* cited by examiner

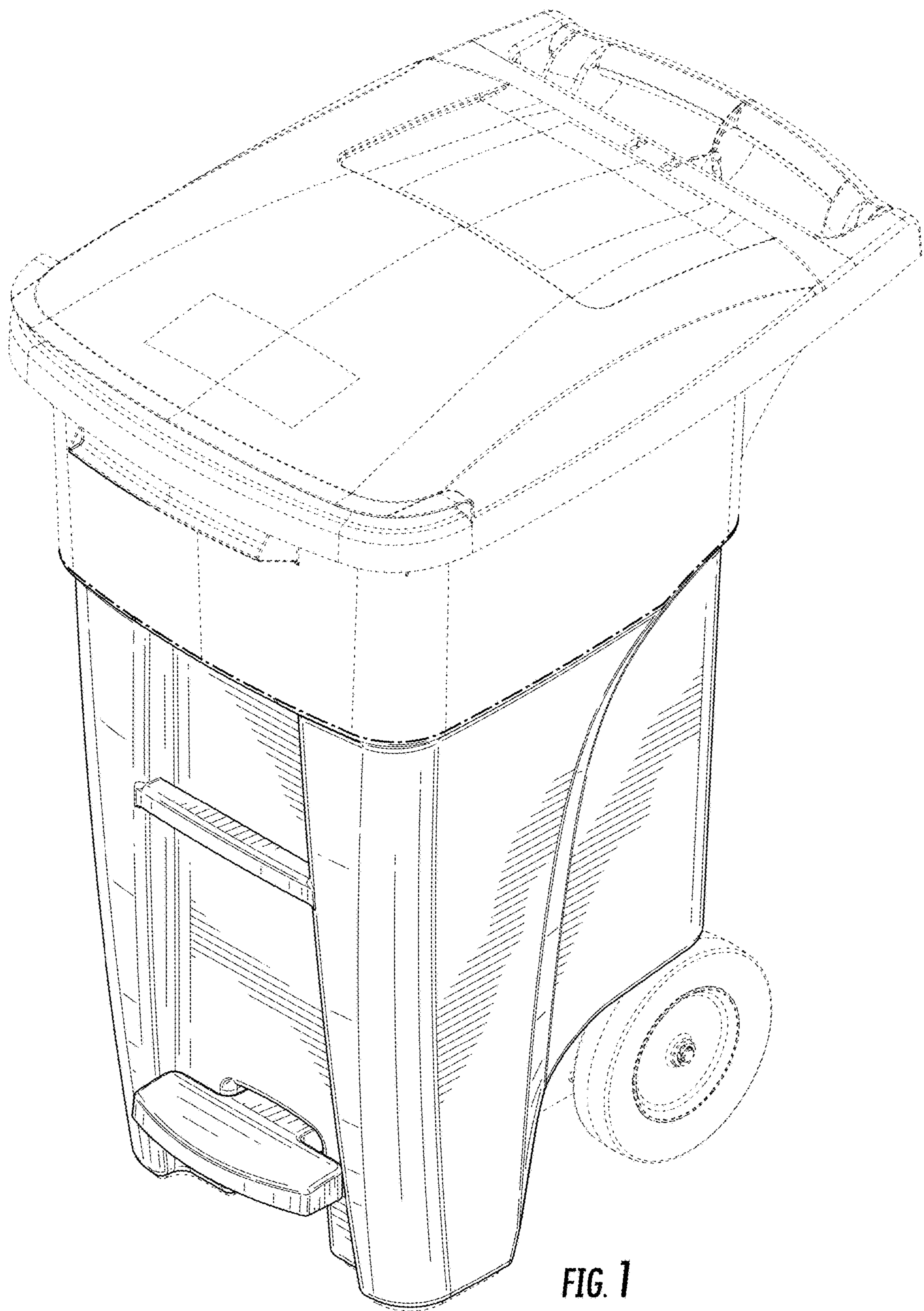


FIG. 1

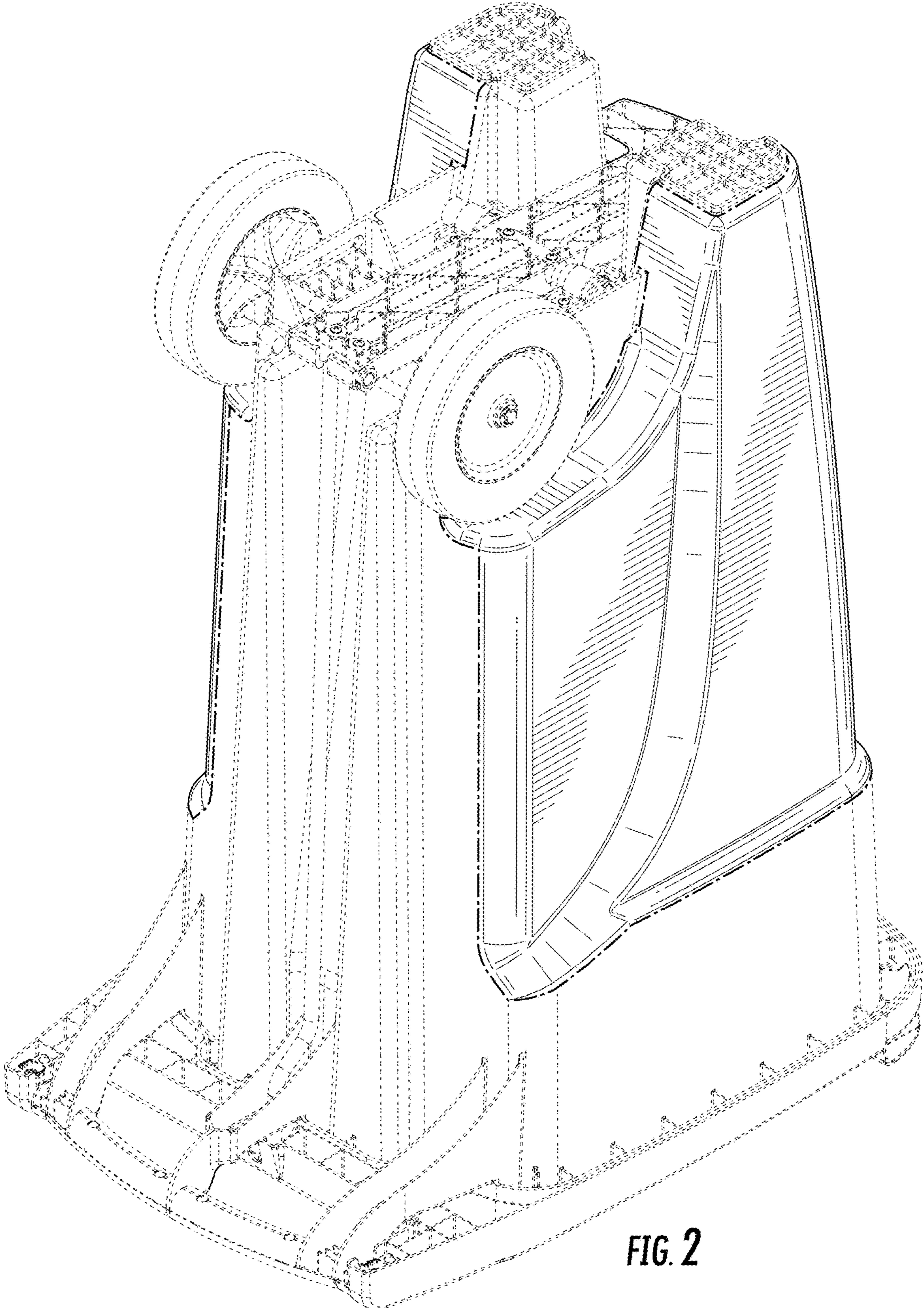


FIG. 2

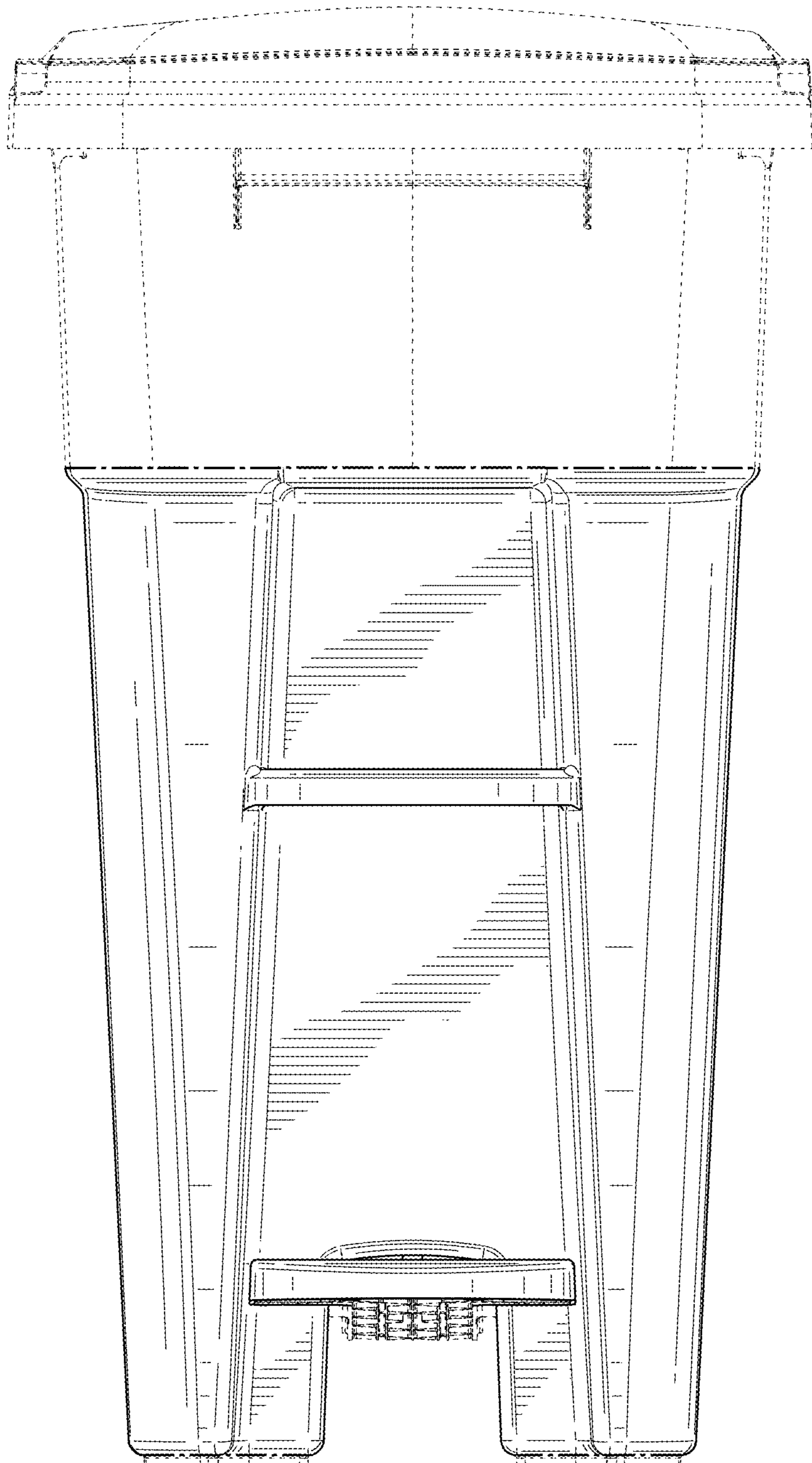


FIG. 3

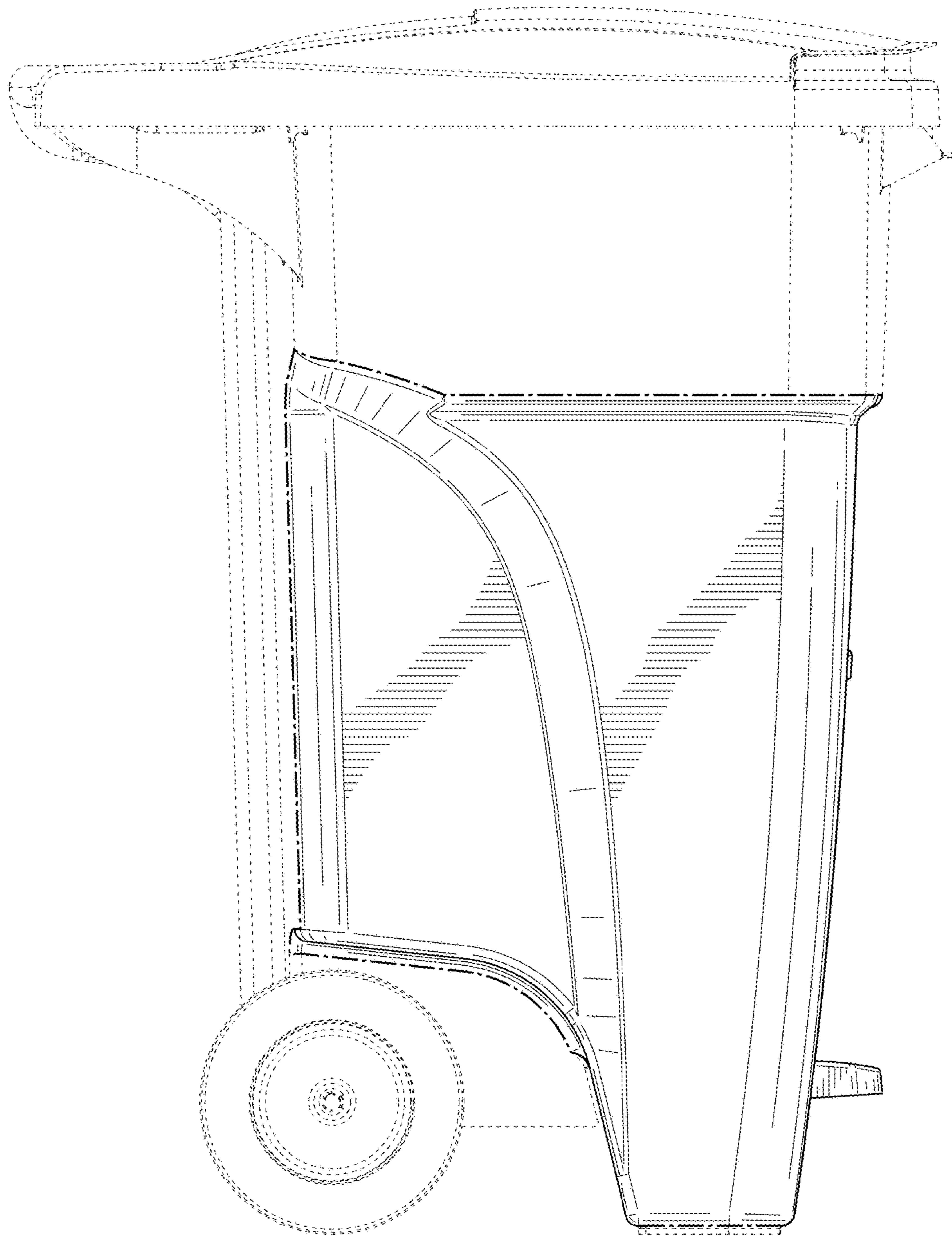


FIG. 4

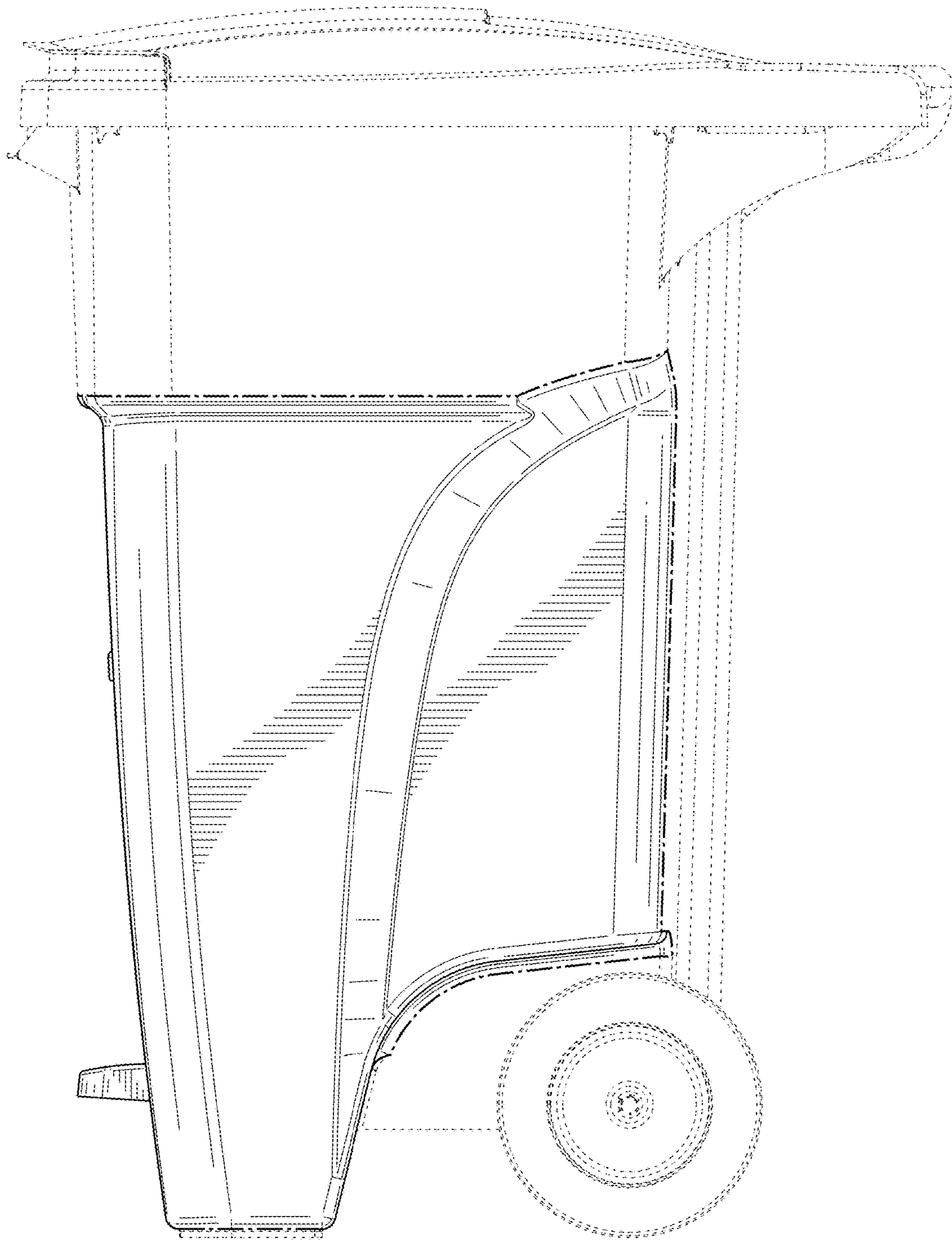


FIG. 5

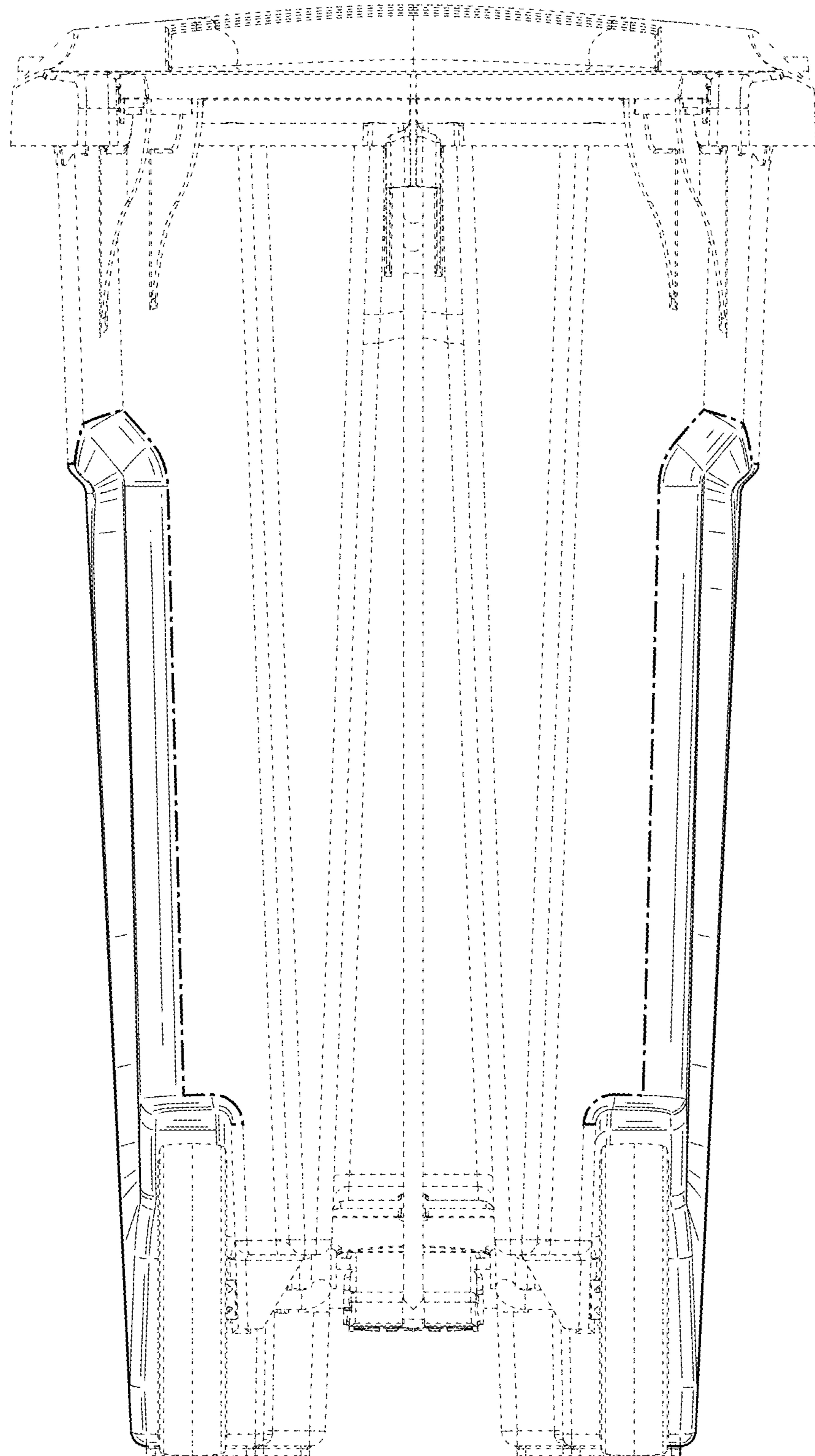


FIG. 6

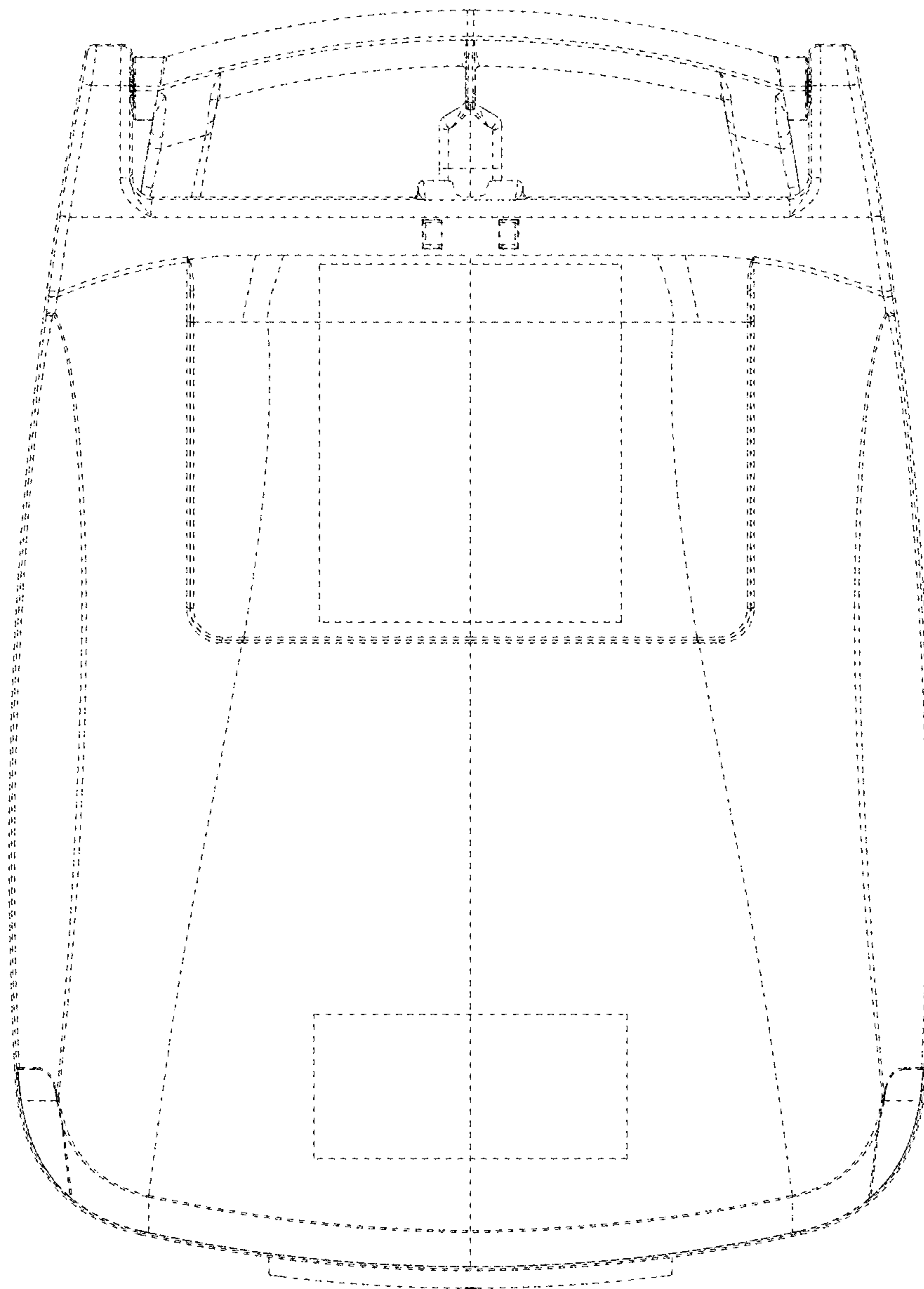


FIG. 7

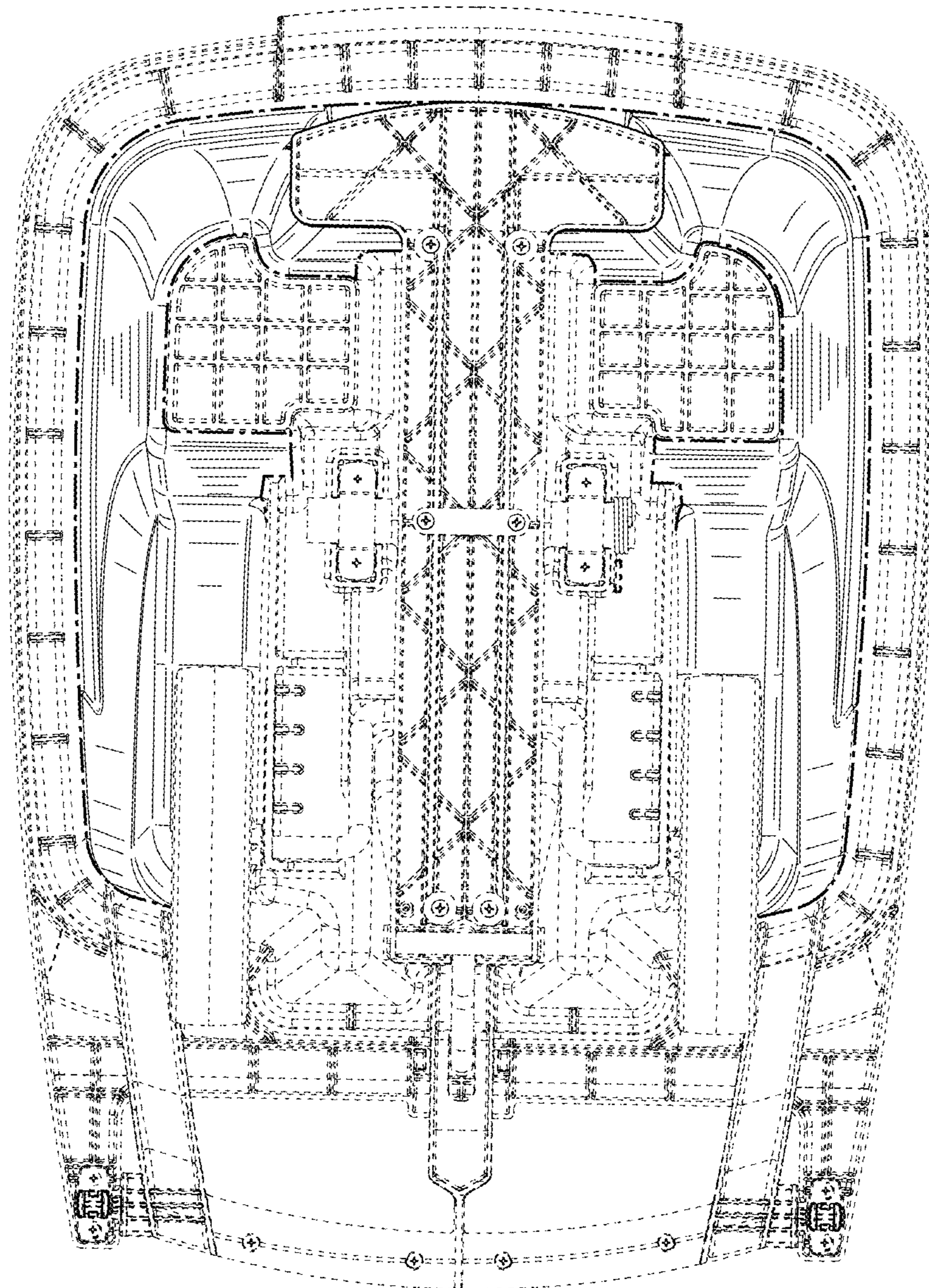


FIG. 8