

US00D804758S

(12) **United States Design Patent**  
**Luburic**

(10) **Patent No.:** **US D804,758 S**  
(45) **Date of Patent:** **\*\* Dec. 5, 2017**

- (54) **CONTAINER WITH INTEGRATED HANDLES**
- (71) Applicant: **BWAY Corporation**, Atlanta, GA (US)
- (72) Inventor: **Franco Luburic**, Costa Mesa, CA (US)
- (73) Assignee: **BWAY Corporation**, Atlanta, GA (US)
- (\*\*) Term: **15 Years**
- (21) Appl. No.: **29/581,335**
- (22) Filed: **Oct. 18, 2016**

**Related U.S. Application Data**

- (63) Continuation of application No. 29/521,979, filed on Mar. 26, 2015, now Pat. No. Des. 778,519.
- (51) **LOC (10) Cl.** ..... **07-07**
- (52) **U.S. Cl.**  
USPC ..... **D32/53**
- (58) **Field of Classification Search**  
USPC ..... D32/53-54; 220/904, 659, 669, 752,  
220/753; 15/264  
CPC ..... B65D 1/42; B65D 25/32; A47L 13/58  
See application file for complete search history.

**References Cited**

**U.S. PATENT DOCUMENTS**

- |             |         |                    |
|-------------|---------|--------------------|
| 3,198,377 A | 8/1965  | Buckley            |
| 3,379,341 A | 4/1968  | Miles              |
| D220,973 S  | 6/1971  | Yates              |
| 3,829,926 A | 8/1974  | Salladay           |
| D236,320 S  | 8/1975  | Renou              |
| 4,357,042 A | 11/1982 | Gall               |
| 4,431,326 A | 2/1984  | Braithwaite et al. |
| 4,967,918 A | 11/1990 | Long et al.        |
| 5,207,348 A | 5/1993  | Fischer et al.     |
| D352,143 S  | 11/1994 | Arshinoff          |
| 5,390,818 A | 2/1995  | LaBuda             |
| 5,456,357 A | 10/1995 | Wenner et al.      |

- |              |         |                      |
|--------------|---------|----------------------|
| 5,547,104 A  | 8/1996  | Parker               |
| 5,735,422 A  | 4/1998  | Binter et al.        |
| 5,803,303 A  | 9/1998  | Timm et al.          |
| 5,806,709 A  | 9/1998  | Marshall             |
| 5,964,372 A  | 10/1999 | Dubois et al.        |
| D430,459 S * | 9/2000  | Conti ..... D32/53   |
| 6,199,718 B1 | 3/2001  | Ellis et al.         |
| 6,308,858 B1 | 10/2001 | Koefeldt et al.      |
| 6,471,221 B1 | 10/2002 | McGarry et al.       |
| D469,233 S   | 1/2003  | Begnani              |
| D493,929 S   | 8/2004  | Schwarz              |
| 6,808,081 B1 | 10/2004 | Citro                |
| 7,172,088 B2 | 2/2007  | McDade et al.        |
| D545,519 S   | 6/2007  | King                 |
| 7,399,017 B1 | 7/2008  | Lasseigne et al.     |
| D590,561 S   | 4/2009  | Baltz                |
| D623,373 S   | 9/2010  | Rockwell, III et al. |
| D626,303 S   | 10/2010 | Loverbos             |
| 7,938,292 B2 | 5/2011  | Chornenky            |
| 8,210,391 B2 | 7/2012  | Luburic              |
| 8,256,640 B2 | 9/2012  | Luburic et al.       |

(Continued)

*Primary Examiner* — Robin V Webster

(74) *Attorney, Agent, or Firm* — Morris, Manning & Martin, LLP; Daniel E. Sineway, Esq.; Bryan D. Stewart, Esq.

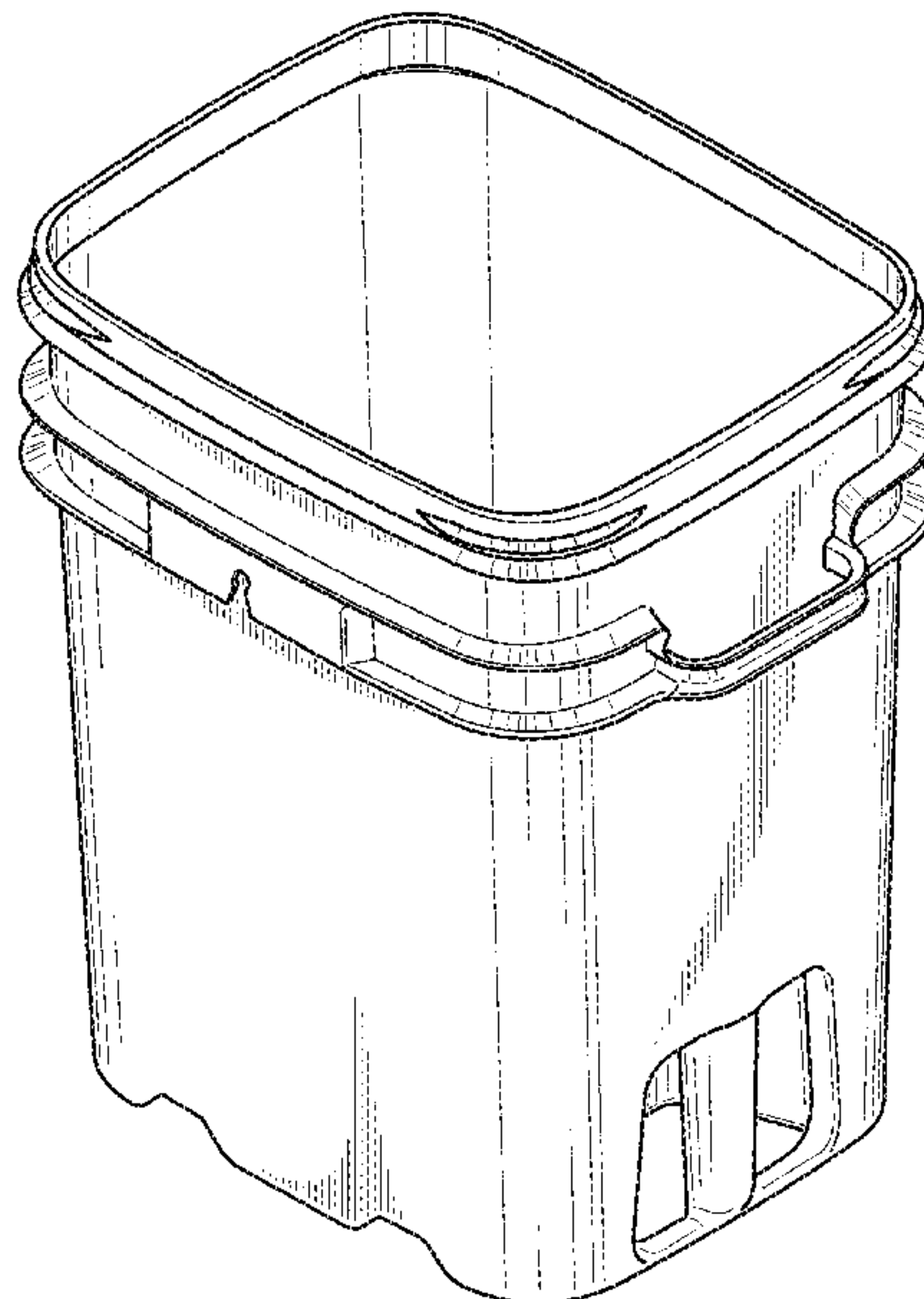
(57) **CLAIM**

The ornamental design for the container with integrated handles, as shown and described.

**DESCRIPTION**

FIG. 1 is a perspective view of a container with integrated handles;  
FIG. 2 is a front view thereof;  
FIG. 3 is a side view thereof;  
FIG. 4 is the other side view thereof;  
FIG. 5 is a top view thereof; and,  
FIG. 6 is a bottom view thereof.

**1 Claim, 6 Drawing Sheets**



(56)

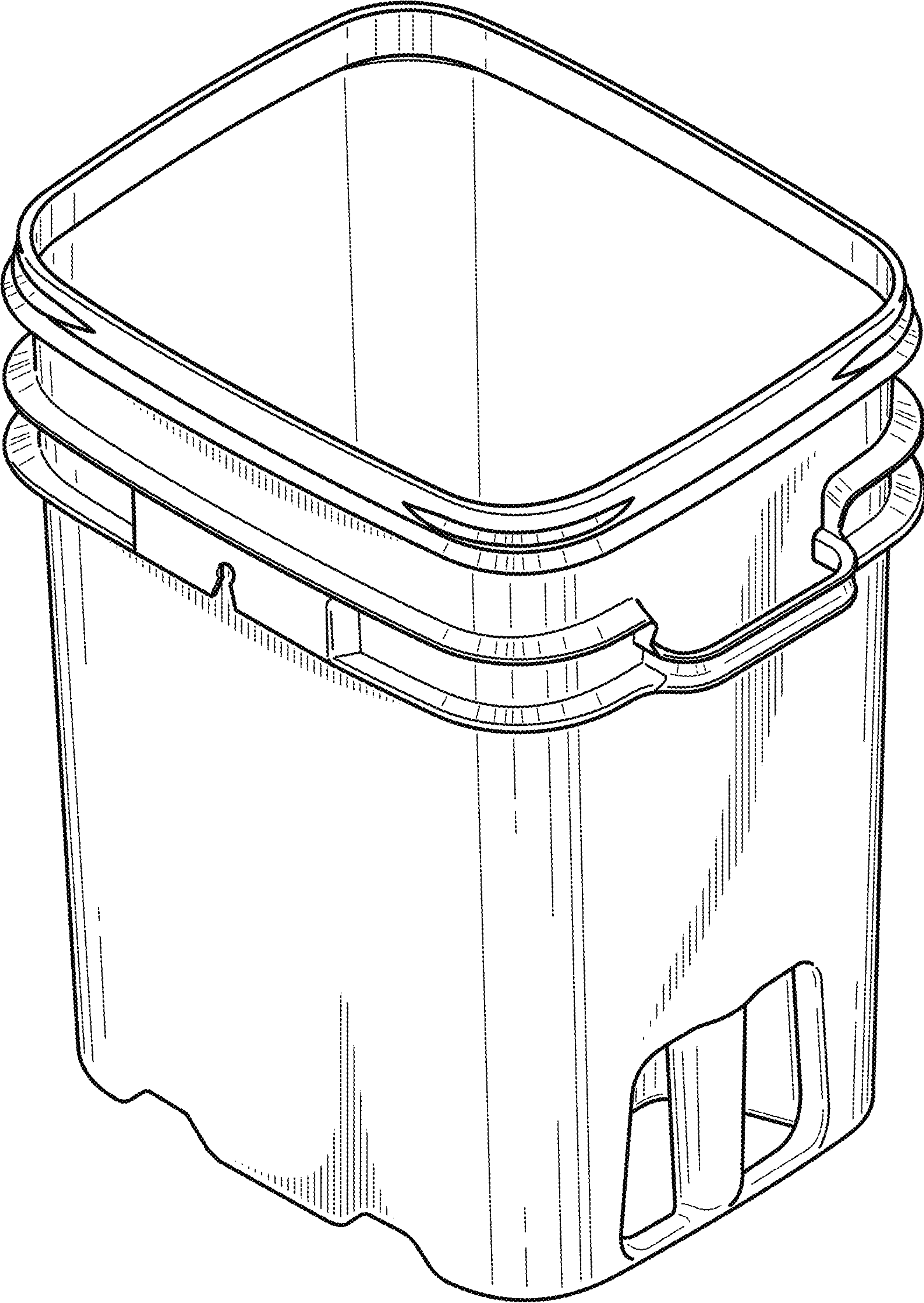
References Cited

U.S. PATENT DOCUMENTS

8,281,952 B2 10/2012 Robellard et al.  
 8,438,921 B1 5/2013 Bland  
 D683,920 S 6/2013 Bonafide  
 D684,327 S 6/2013 Bonafide  
 D684,328 S 6/2013 Vasilakes et al.  
 8,459,490 B1 6/2013 McTaggart et al.  
 D688,018 S \* 8/2013 Duquenoy ..... D32/53  
 8,757,428 B2 6/2014 Daudelin et al.  
 D709,263 S 7/2014 Carnesecca  
 8,806,803 B1 8/2014 Mitchell et al.  
 8,881,930 B2 11/2014 Banik  
 D726,385 S 4/2015 O'Leary et al.  
 9,067,462 B1 6/2015 Pressler et al.  
 D739,626 S 9/2015 Condiff  
 D739,627 S 9/2015 Condiff  
 D743,136 S 11/2015 Condiff

D782,768 S \* 3/2017 Luburic ..... B65D 25/2888  
 D32/53  
 2003/0116577 A1 6/2003 Slongo et al.  
 2003/0168460 A1 9/2003 Von Holdt, Sr. et al.  
 2006/0175340 A1 8/2006 Garone et al.  
 2006/0243736 A1 11/2006 Kline et al.  
 2007/0084870 A1 4/2007 Luburic et al.  
 2007/0119854 A1 5/2007 Rittmann et al.  
 2009/0032542 A1 2/2009 Temple et al.  
 2009/0266738 A1 10/2009 Dunford et al.  
 2011/0163107 A1 7/2011 Saunders et al.  
 2013/0116577 A1 5/2013 Yazicioglu et al.  
 2014/0027454 A1 1/2014 Banik et al.  
 2014/0076893 A1 3/2014 Cheek et al.  
 2014/0097586 A1 4/2014 Enguita et al.  
 2014/0327258 A1 11/2014 Ring et al.  
 2014/0374425 A1 12/2014 Duckett  
 2015/0225124 A1 8/2015 Persson et al.  
 2015/0321796 A1 11/2015 O'Leary et al.  
 2015/0360818 A1 12/2015 Condiff

\* cited by examiner



**FIG. 1**



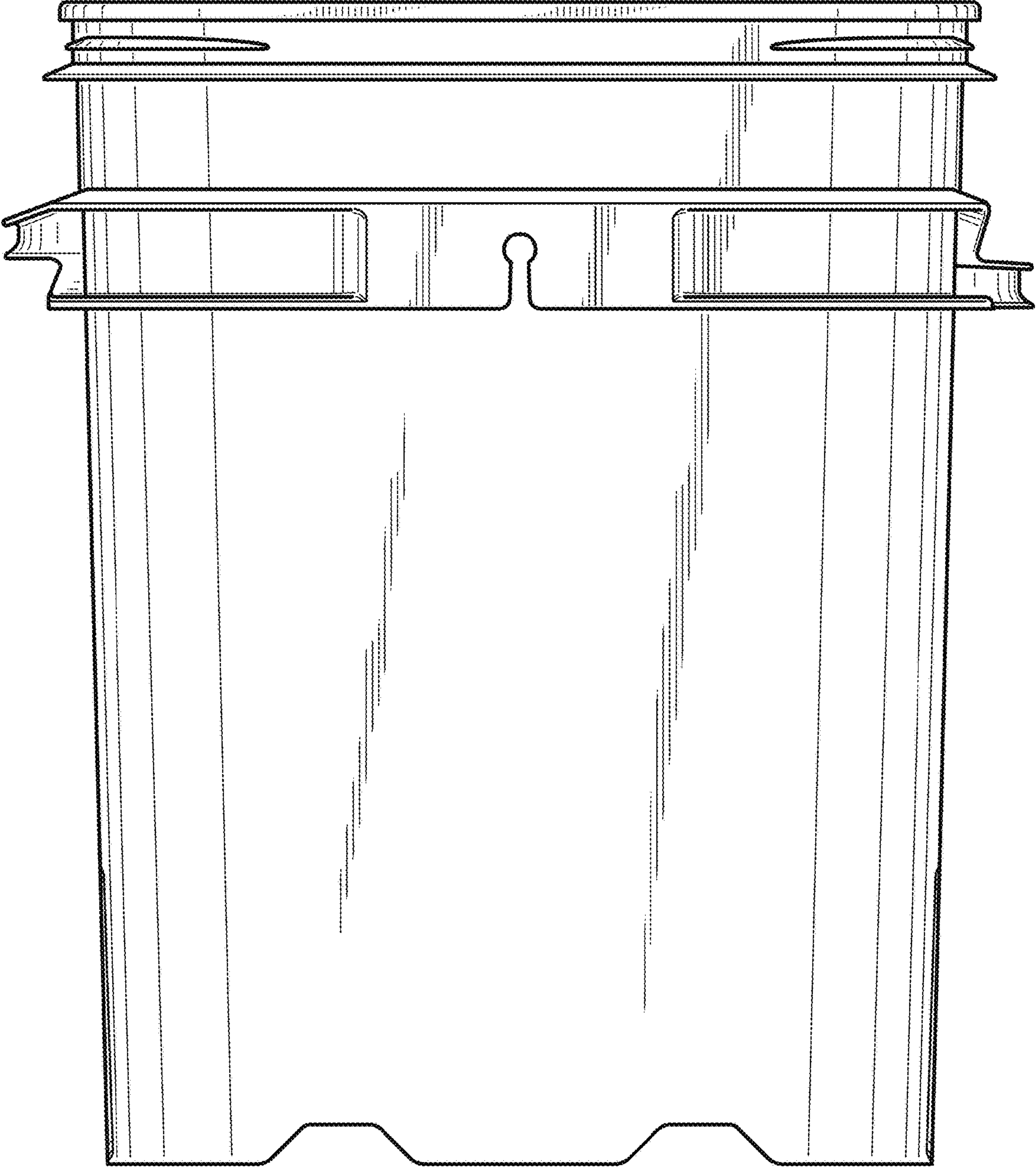
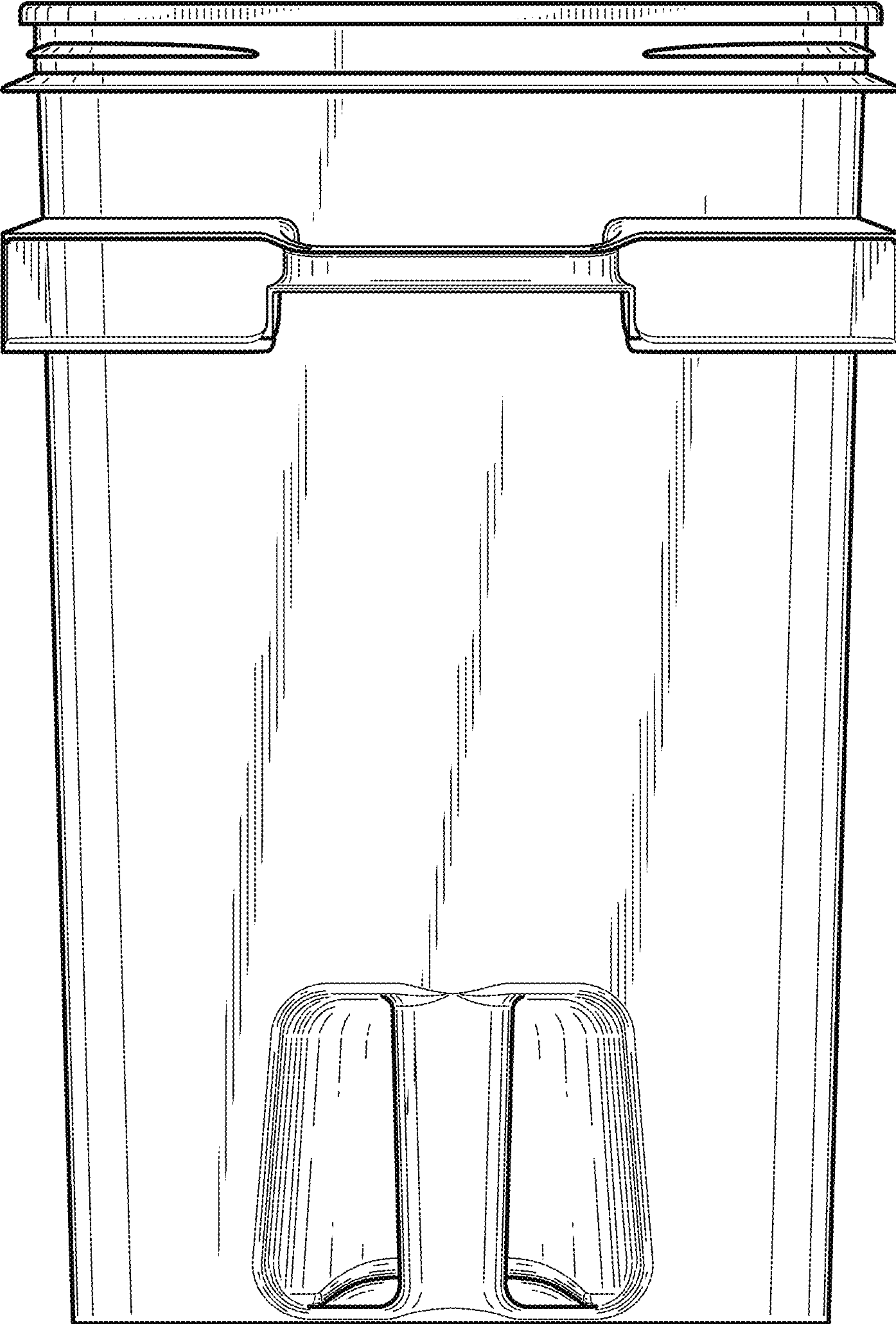
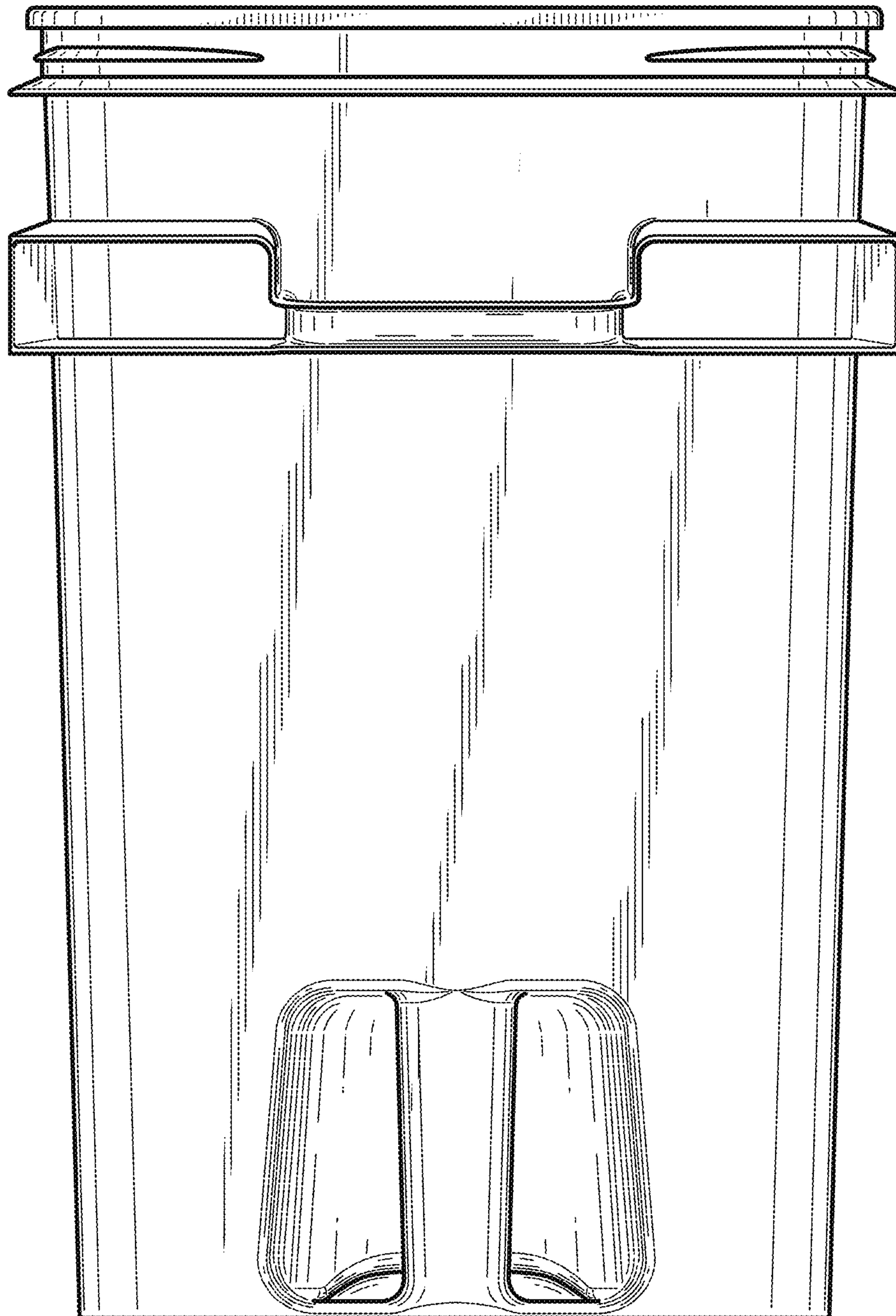


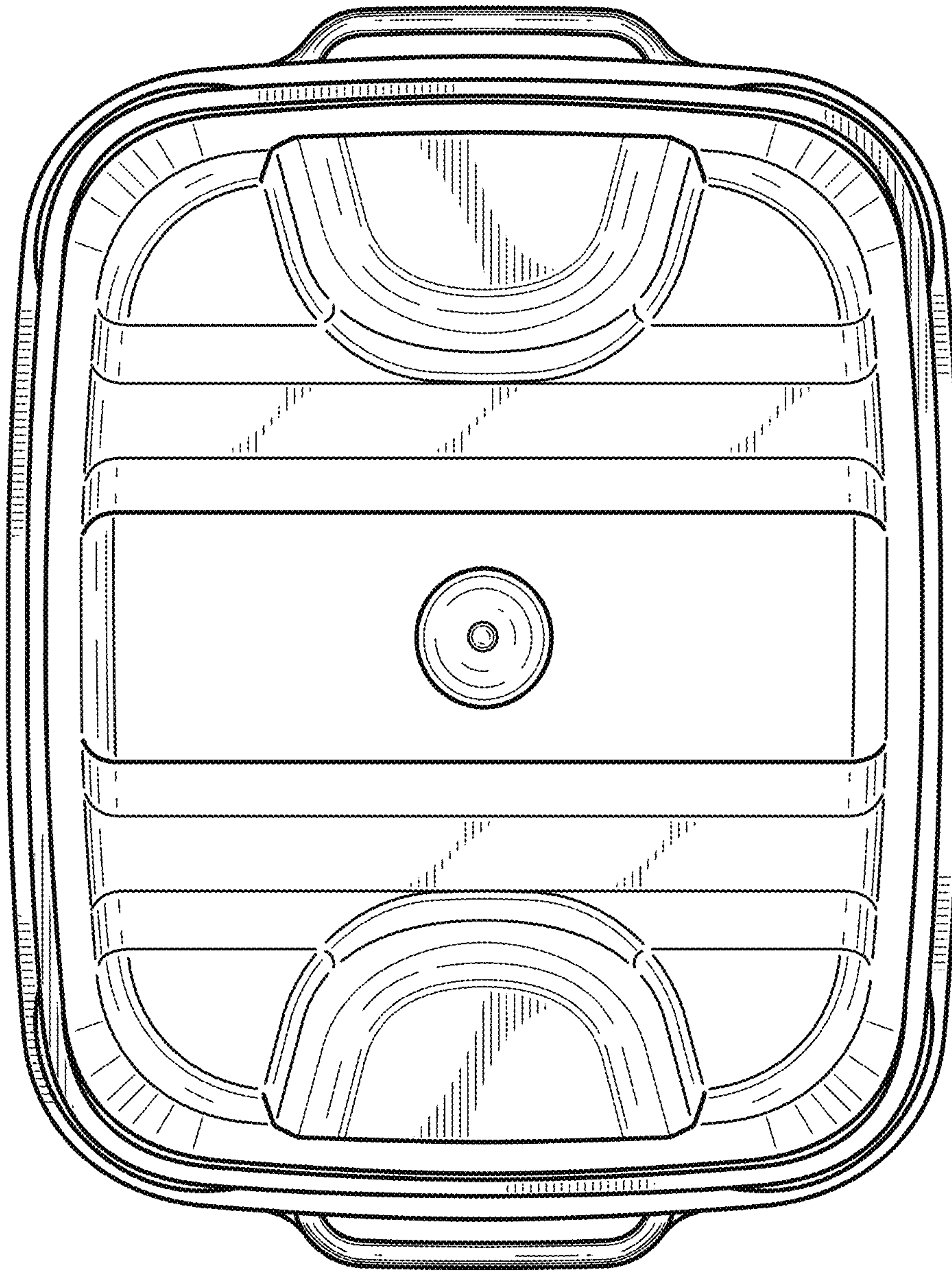
FIG. 2



**FIG. 3**

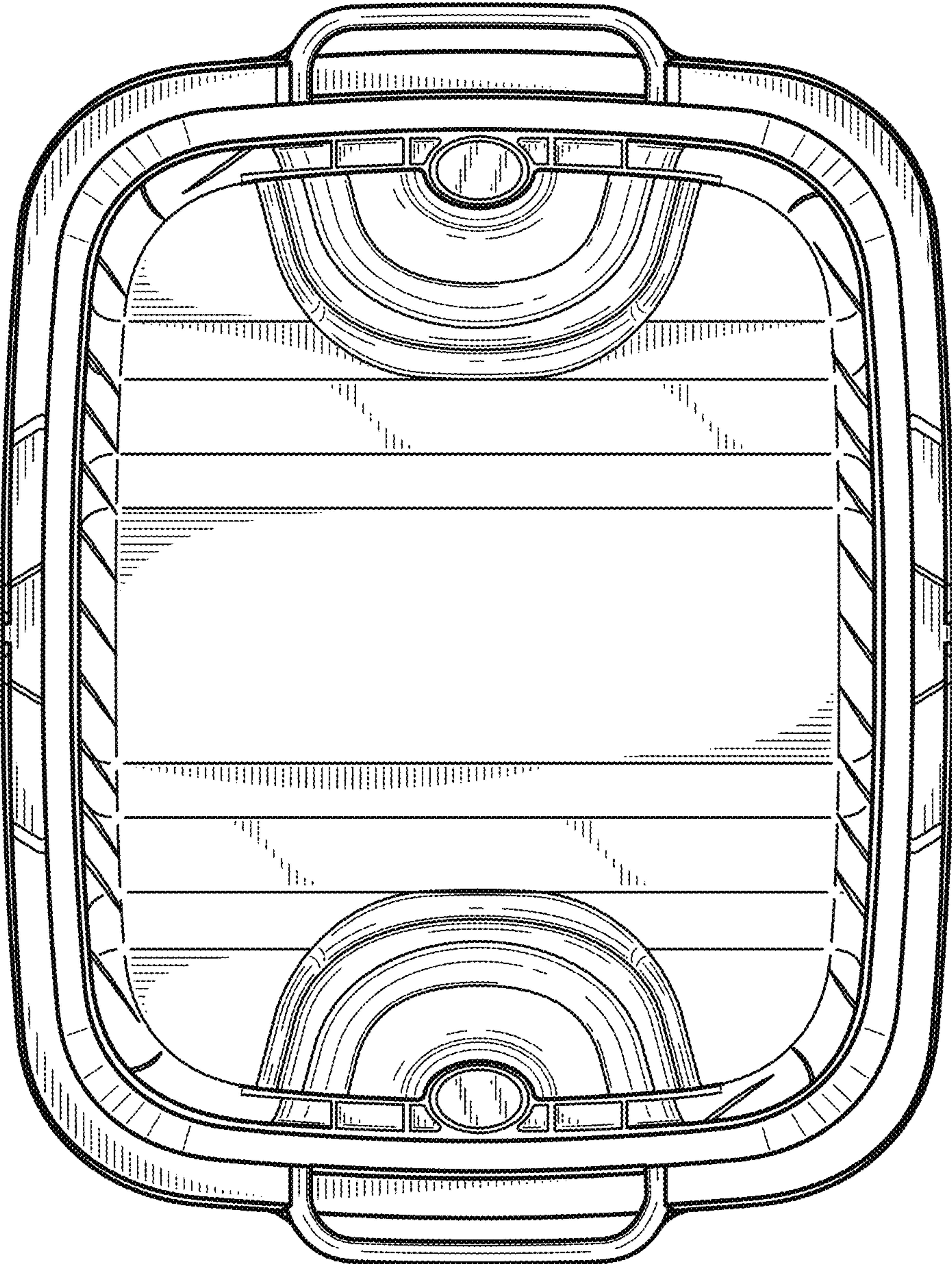


**FIG. 4**



**FIG. 5**





**FIG. 6**