



US00D804757S

(12) **United States Design Patent**
Campbell, Jr. et al.

(10) **Patent No.:** **US D804,757 S**
(45) **Date of Patent:** **** Dec. 5, 2017**

(54) **APPLICATOR AND PAD**

(71) Applicants: **Russell L. Campbell, Jr.**, Noblesville, IN (US); **Harvey E. Campbell**, Arcadia, IN (US)

(72) Inventors: **Russell L. Campbell, Jr.**, Noblesville, IN (US); **Harvey E. Campbell**, Arcadia, IN (US)

(**) **Term:** **15 Years**

(21) Appl. No.: **29/565,187**

(22) Filed: **May 18, 2016**

(51) **LOC (10) Cl.** **07-05**

(52) **U.S. Cl.**
USPC **D32/40**

(58) **Field of Classification Search**
USPC D32/40-49; 16/110.1-429; D8/300-301, D8/303, 305-307, 70, 62; D4/120, 114; D9/519, 545, 516
CPC .. A47B 95/02; A47K 7/02; A63H 3/00; A47L 13/16
See application file for complete search history.

(56) **References Cited**

U.S. PATENT DOCUMENTS

D4,390 S *	10/1870	Atwater	D19/187
127,754 A *	6/1872	Ford	A47L 13/16 15/118
455,567 A *	7/1891	Kraft	A47L 13/16 15/118
2,753,582 A *	7/1956	Fredericks	A46B 9/005 15/244.1
2,976,560 A *	3/1961	Turner	A47L 13/22 15/244.1
2,977,625 A *	4/1961	Hopkins	A47L 13/16 15/244.1
3,105,263 A *	10/1963	Ginter	E04F 21/00 15/244.1
3,161,905 A *	12/1964	Dryden	A47L 13/257 15/119.2
3,164,853 A *	1/1965	Peeler	A47L 25/00 15/244.1

(Continued)

FOREIGN PATENT DOCUMENTS

JP D1364216 * 7/2009
JP D1520004 * 3/2015

OTHER PUBLICATIONS

Amazon.com: Aquasentials Easy Lotion Applicator, oldest review Jan. 12, 2009, https://www.amazon.com/Aquasentials-Aqu-3611-Easy-Lotion-Applicator/dp/B001_D8ZGAM/ref=cm_cr_ar_p_d_product_top?ie=UTF8, [site visited Mar. 13, 2017 2:30:20 PM].*

Primary Examiner — John Windmuller

Assistant Examiner — John R Yeh

(74) *Attorney, Agent, or Firm* — Robert C. Montgomery; Montgomery Patent & Design, LP.

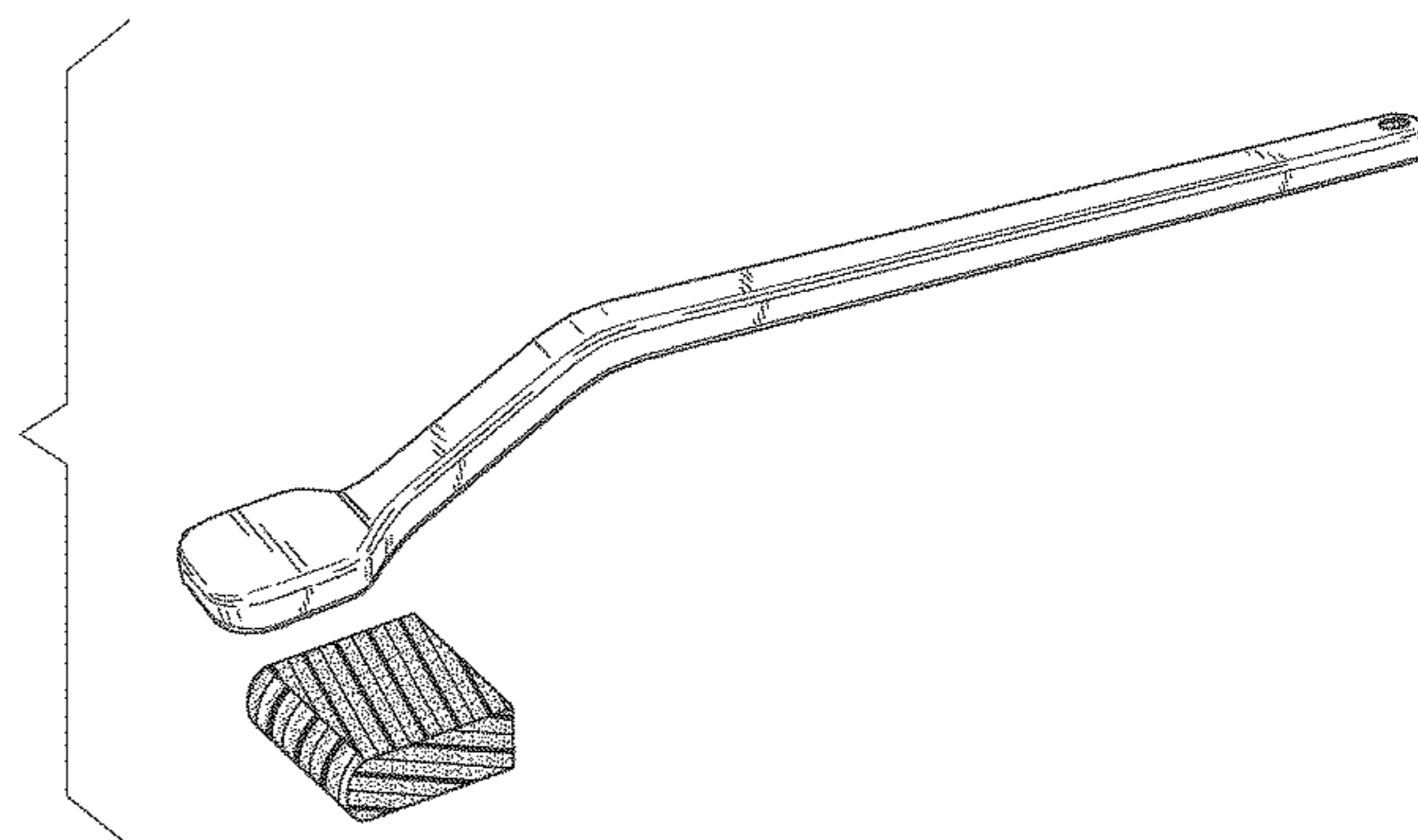
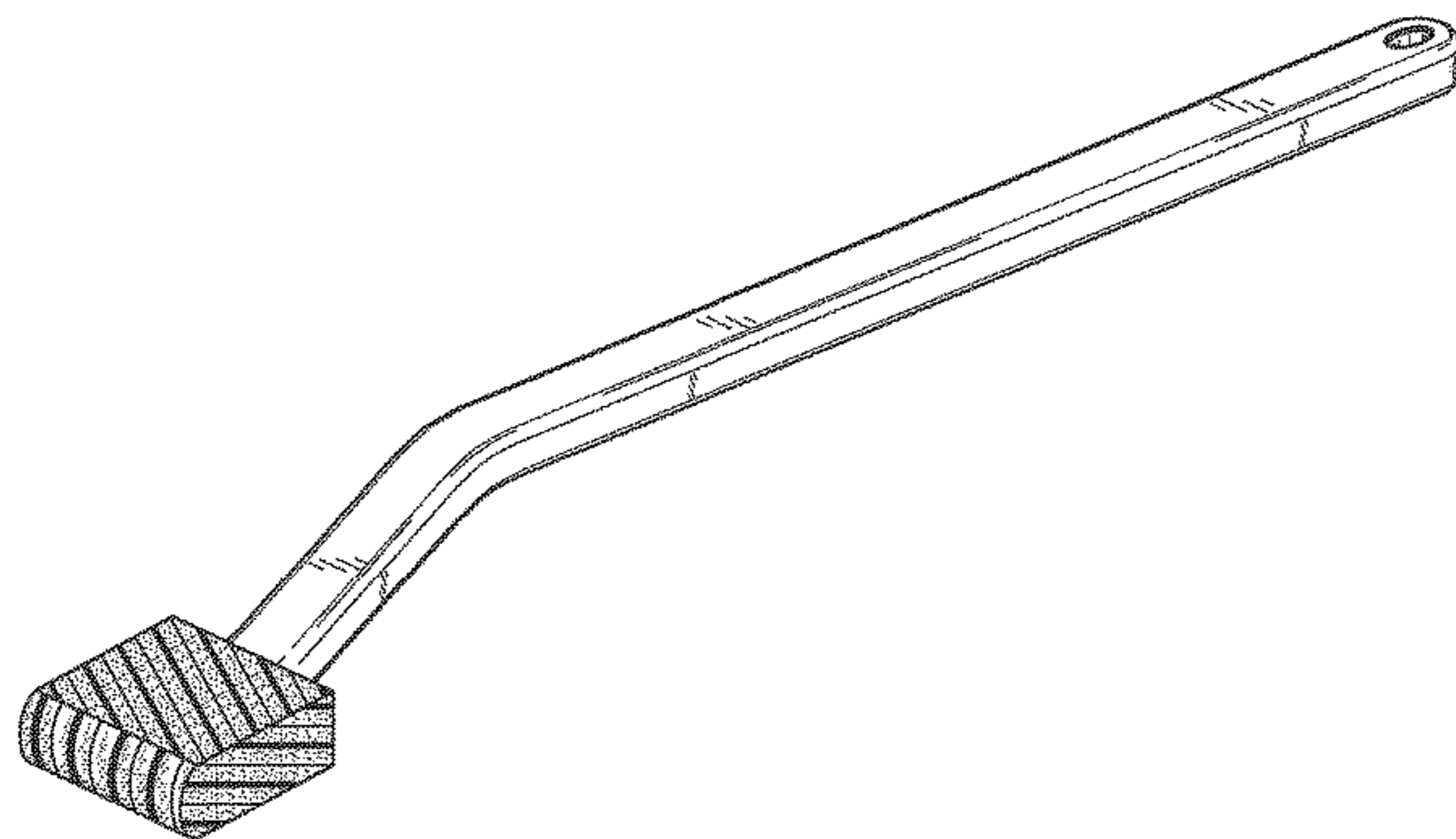
(57) **CLAIM**

The ornamental design for an applicator and pad, as shown and described.

DESCRIPTION

FIG. 1 is a top right side perspective view of the applicator and pad showing our new design; FIG. 2 is a top right side perspective view of the disassembled applicator and pad; FIG. 3 is a bottom left side perspective view thereof; FIG. 4 is an enlarged front side elevation thereof; FIG. 5 is an enlarged back side elevation view thereof; FIG. 6 is a right side elevation view thereof; FIG. 7 is a left side elevation view thereof; FIG. 8 is a top side plan view thereof; and, FIG. 9 is a bottom side plan view thereof. The broken lines represent a boundary area of a pad cavity and do not form any part of the claimed design.

1 Claim, 8 Drawing Sheets



(56)

References Cited

U.S. PATENT DOCUMENTS

3,274,635 A * 9/1966 Myers A47L 13/14
15/144.1
3,353,203 A * 11/1967 Ginter A46B 11/00
15/145
3,366,988 A * 2/1968 Ginter A46B 5/00
15/244.1
3,562,838 A * 2/1971 Burton et al. B05C 17/00
15/143.1
4,155,139 A * 5/1979 Corcoran A46B 3/12
15/244.1
D268,447 S * 3/1983 Sudduth D32/45
4,856,136 A 8/1989 Janssen
4,934,011 A * 6/1990 Haug A47K 7/028
15/145
5,212,847 A * 5/1993 Melcher A45D 40/28
15/209.1

D354,626 S * 1/1995 Hurwitz D32/42
D384,457 S * 9/1997 Morissette D32/51
D524,545 S * 7/2006 Hinnant D4/114
7,185,385 B2 3/2007 Kohler
7,904,987 B2 * 3/2011 Bayon A47L 13/17
15/104.94
7,966,687 B2 * 6/2011 Rahbar-Dehghan B08B 1/00
15/104.94
8,118,766 B2 * 2/2012 Davis A61M 35/006
401/135
D703,825 S * 4/2014 Barrett D24/200
9,119,456 B1 9/2015 Hudson
2005/0015911 A1 1/2005 Harty
2006/0257513 A1 11/2006 MacLeod
2008/0053475 A2 3/2008 Castagno et al.
2010/0200014 A1 8/2010 Lee
2010/0218324 A1 9/2010 Russ
2013/0071171 A1 * 3/2013 Stewart A45C 11/008
401/261

* cited by examiner

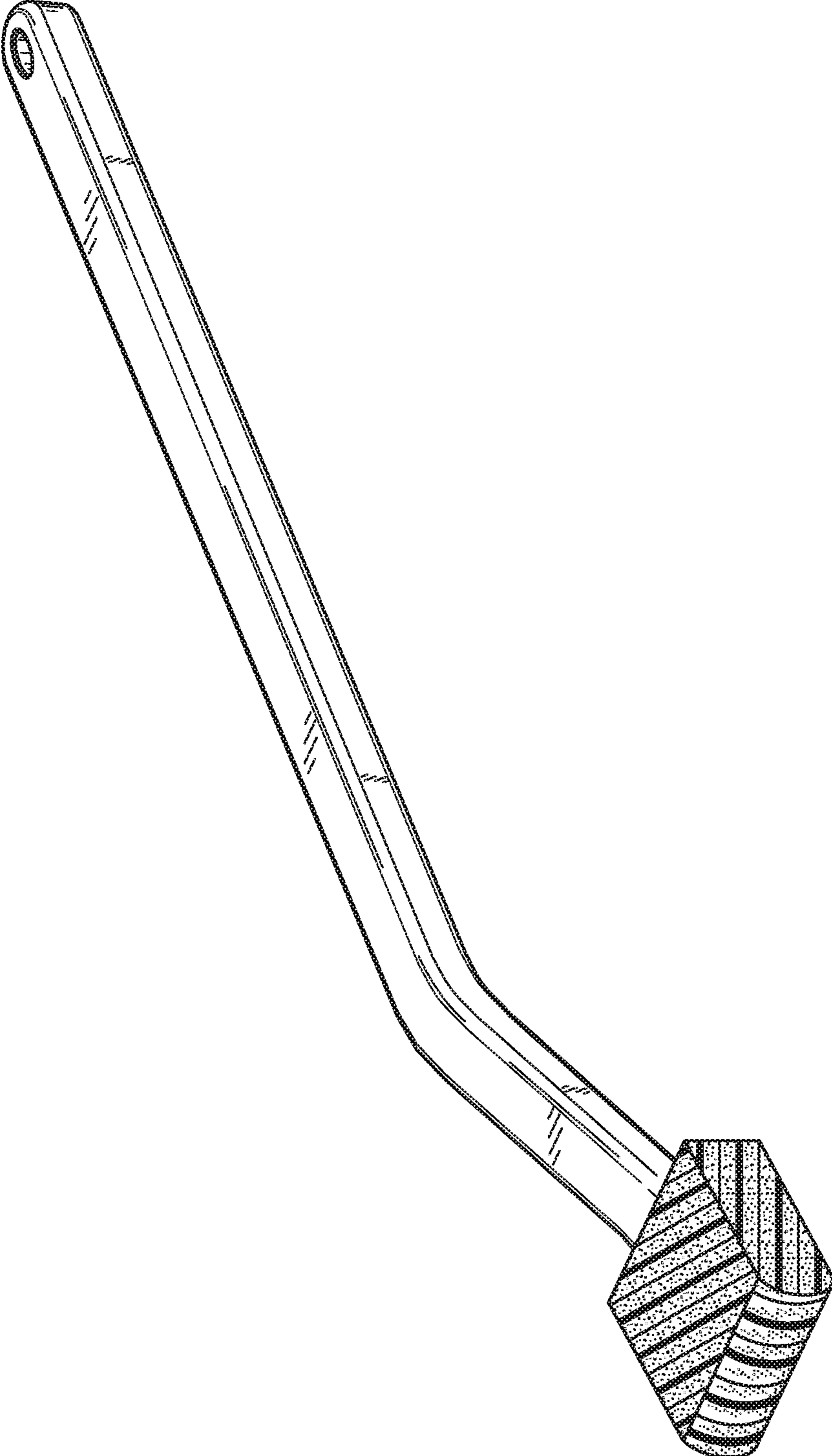


FIG. 1

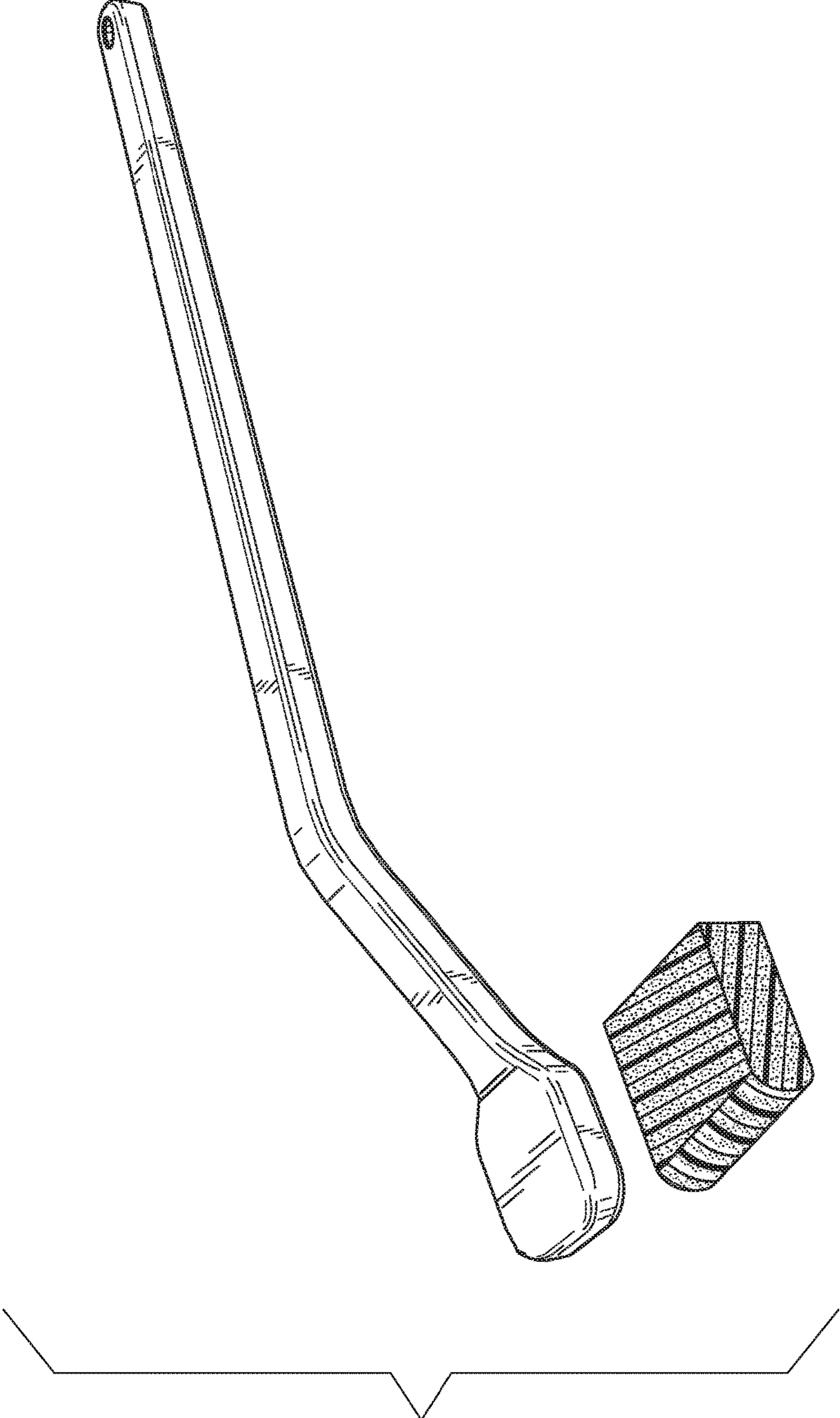


FIG. 2

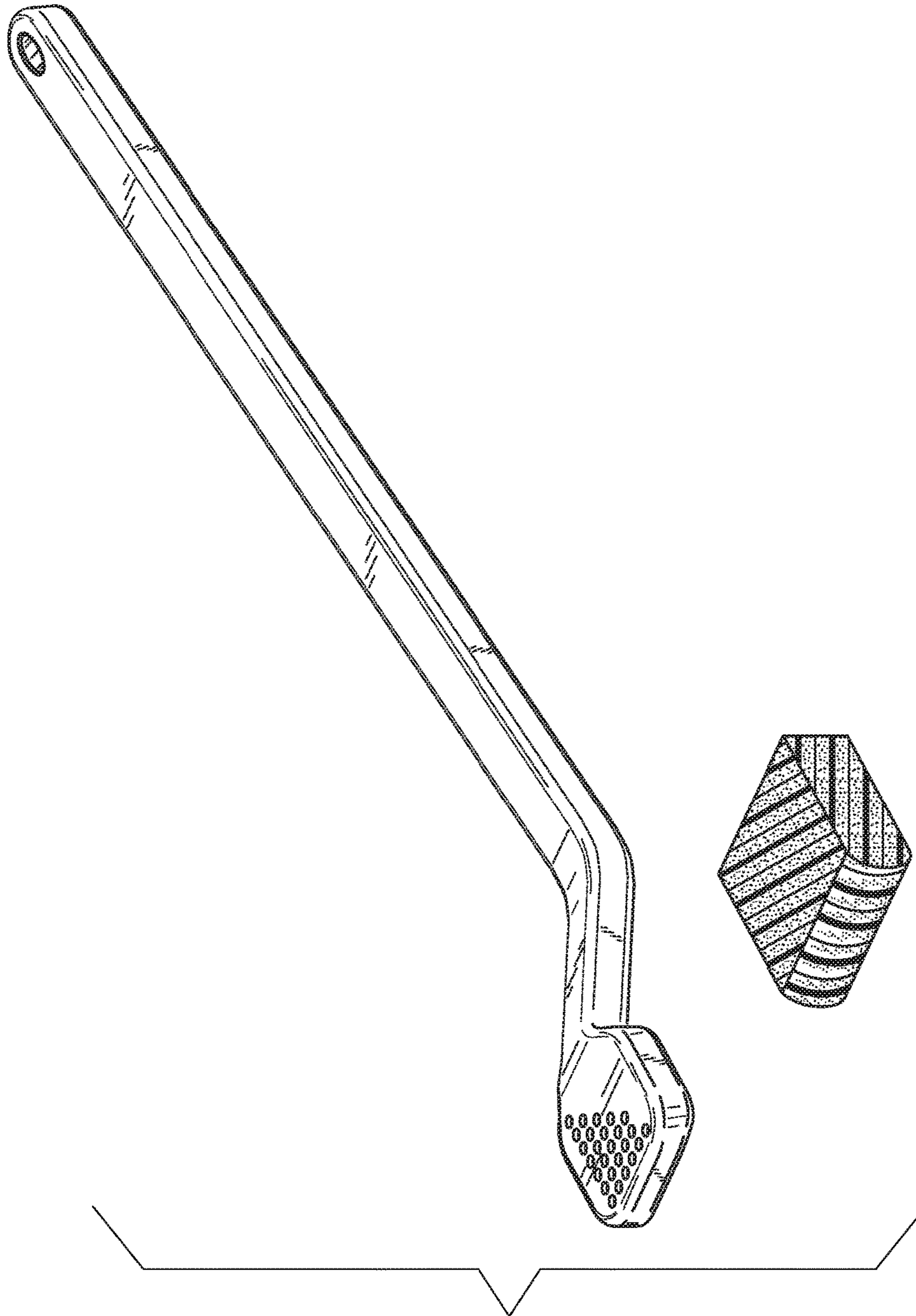


FIG. 3

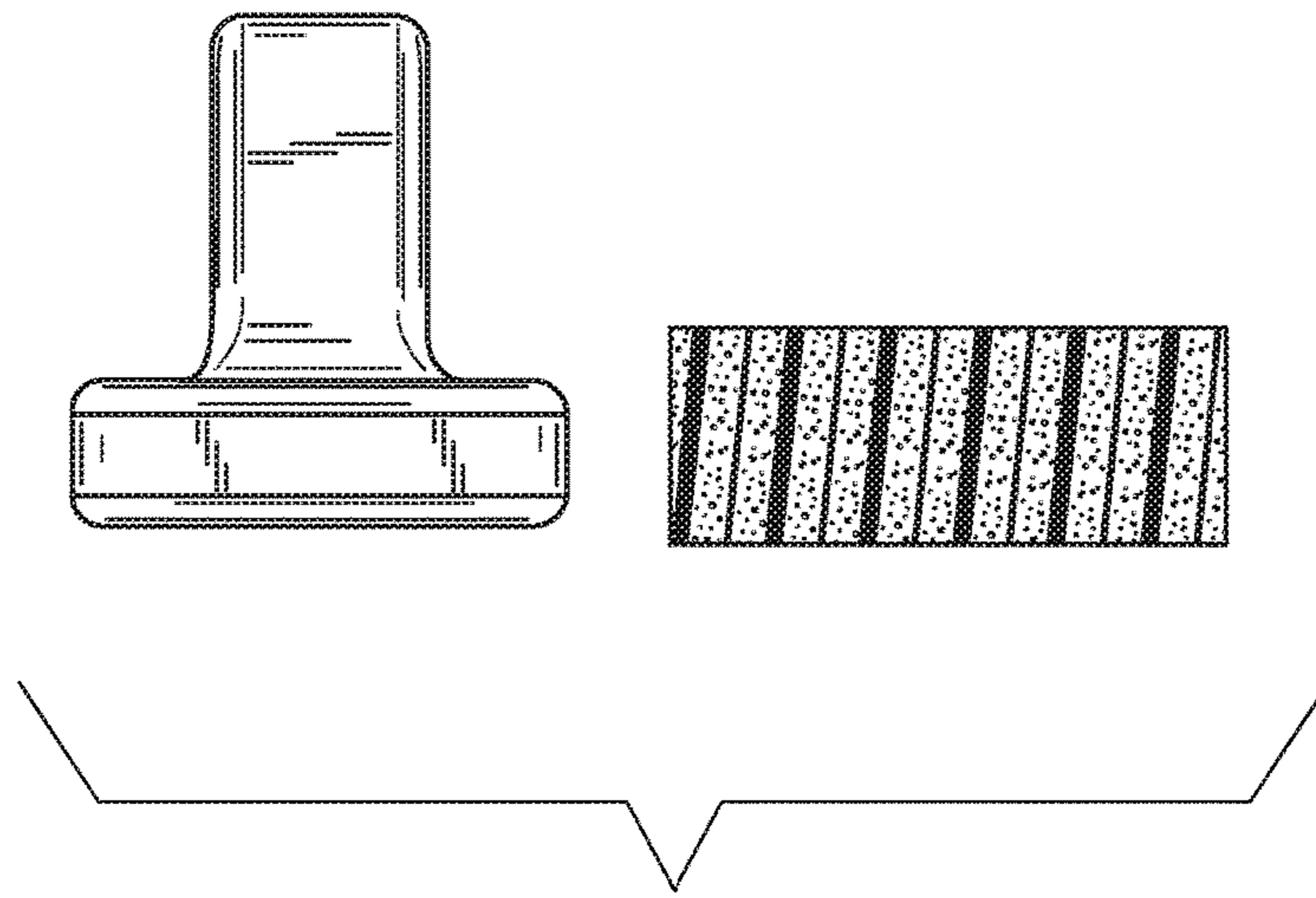


FIG. 4

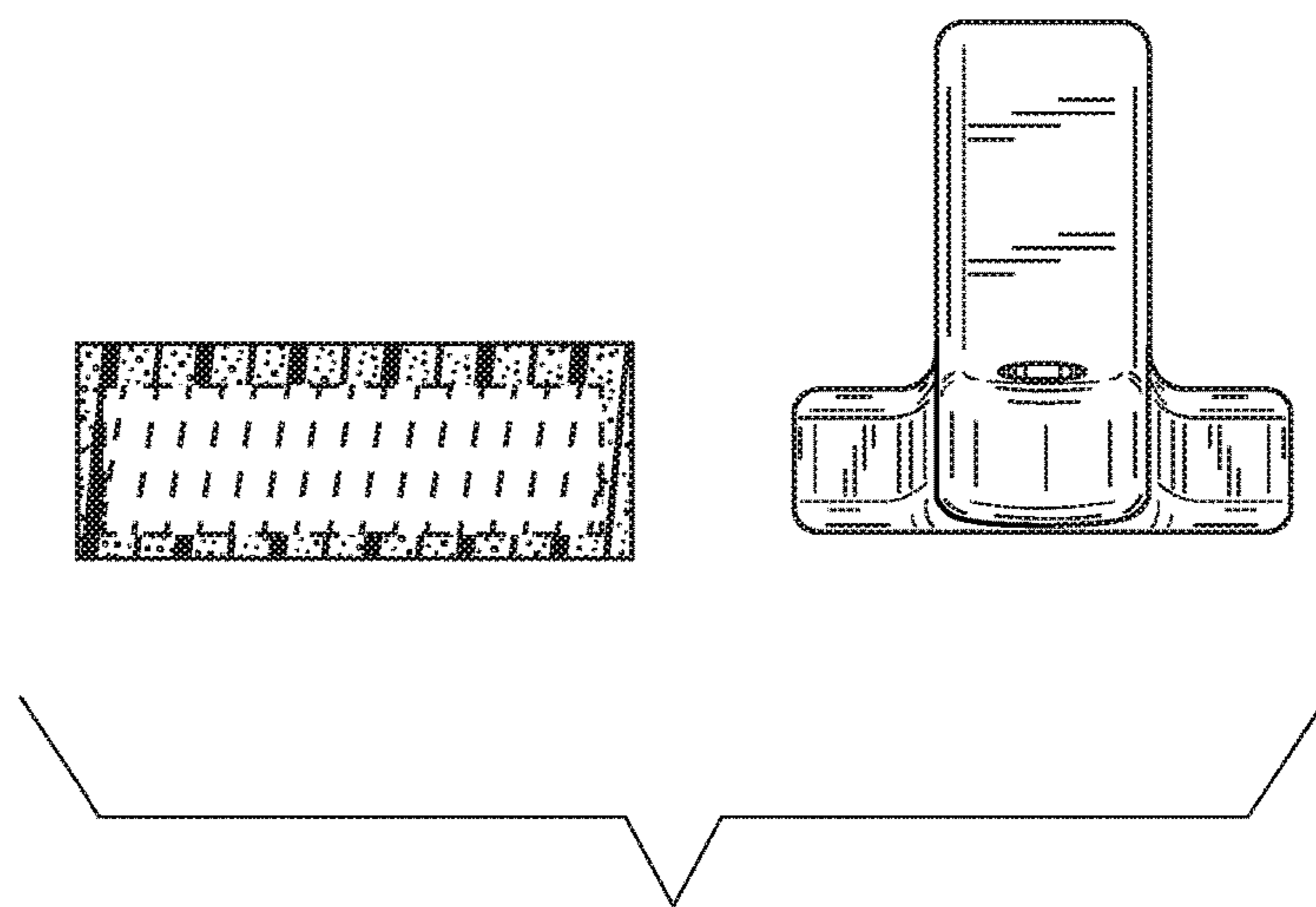


FIG. 5

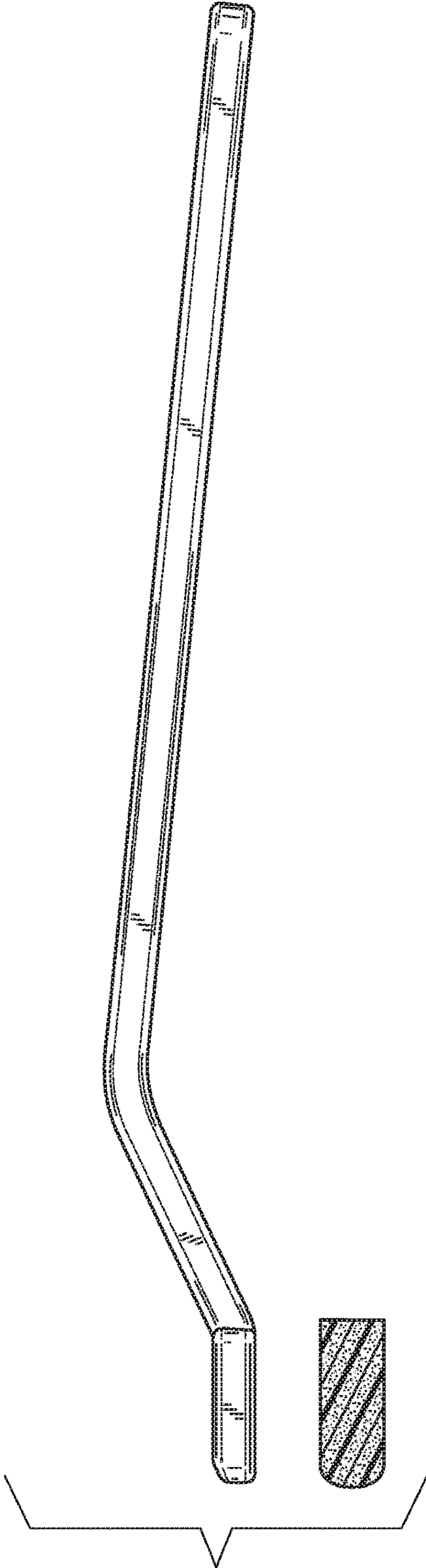


FIG. 6

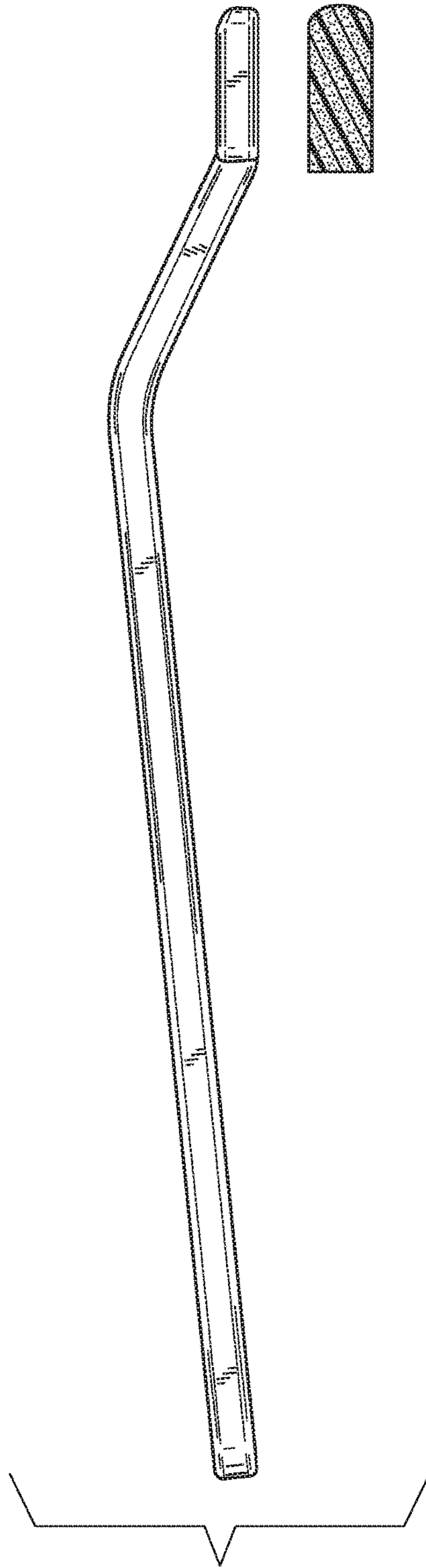


FIG. 7

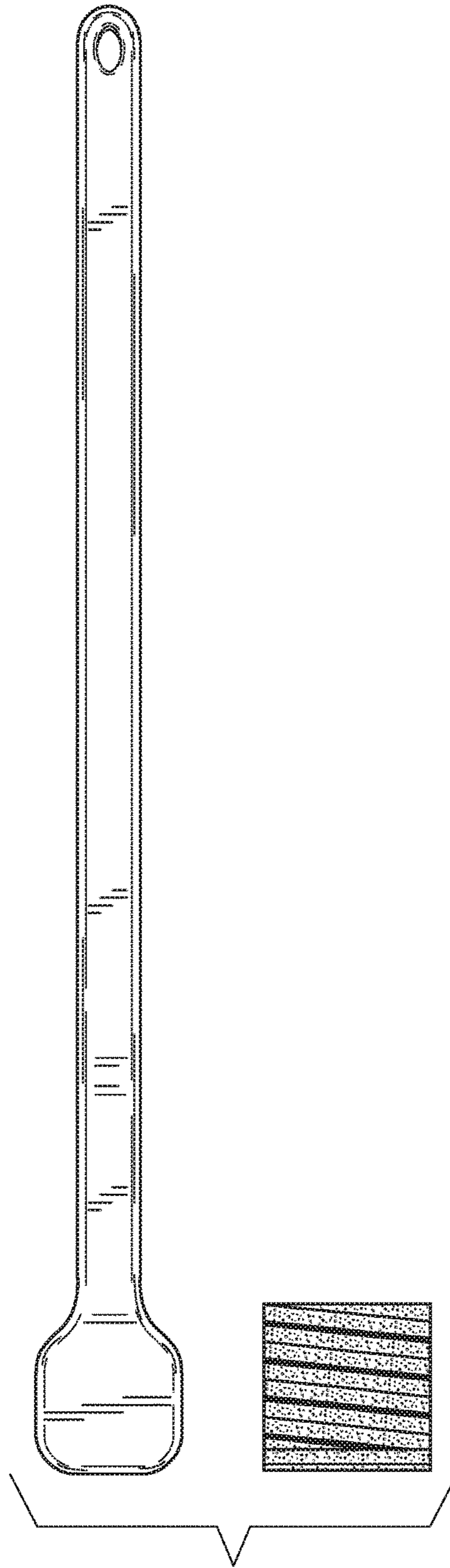


FIG. 8

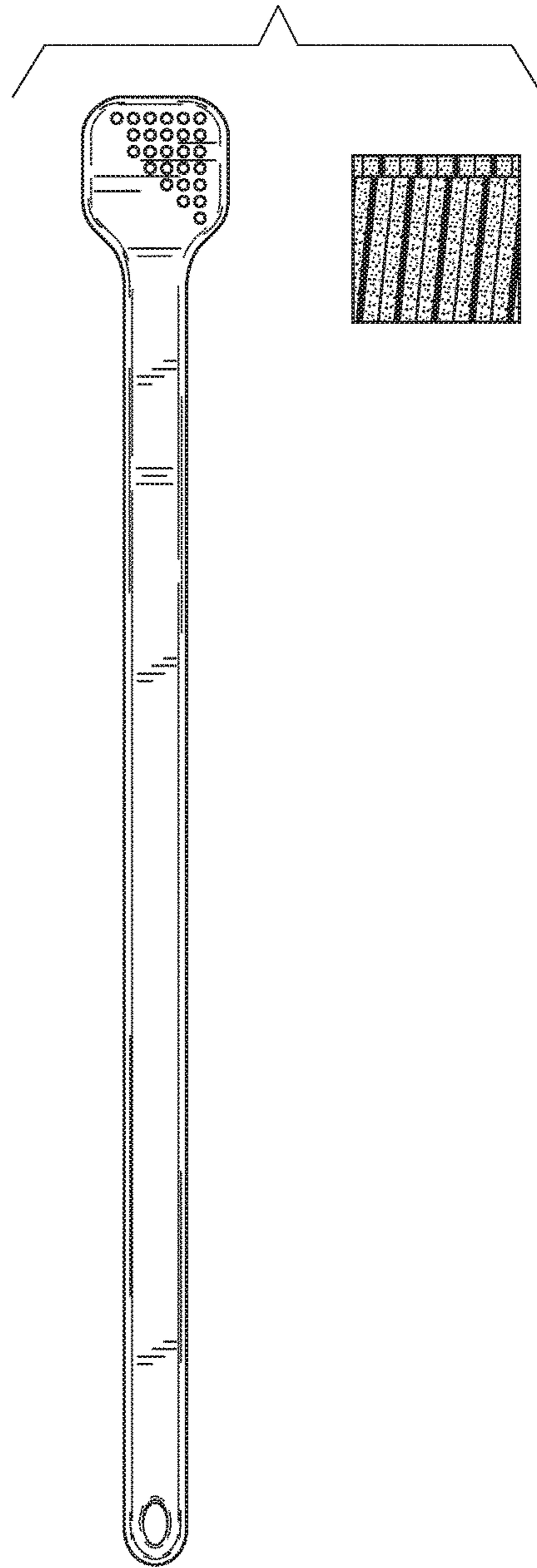


FIG. 9