



US00D804756S

(12) **United States Design Patent**
Nam et al.

(10) **Patent No.:** **US D804,756 S**

(45) **Date of Patent:** **** Dec. 5, 2017**

(54) **HANDLE FOR VACUUM CLEANER**

(71) Applicant: **LG ELECTRONICS INC.**, Seoul (KR)

(72) Inventors: **Bohyun Nam**, Seoul (KR); **Namhee Kim**, Seoul (KR); **Hyeonjeong An**, Seoul (KR); **Schwab Bae**, Seoul (KR)

(73) Assignee: **LG ELECTRONICS INC.**, Seoul (KR)

(**) Term: **15 Years**

(21) Appl. No.: **29/546,258**

(22) Filed: **Nov. 20, 2015**

(30) **Foreign Application Priority Data**

Jul. 2, 2015 (KR) 30-2015-0033517

(51) **LOC (10) Cl.** **15-05**

(52) **U.S. Cl.**
USPC **D32/34**

(58) **Field of Classification Search**
USPC D32/34, 31, 22, 17-18, 21
CPC A47L 9/325; A47L 9/1666; A47L 9/1683;
A47L 5/28; A47L 5/24; A47L 5/362;
A47L 7/0038
See application file for complete search history.

(56) **References Cited**

U.S. PATENT DOCUMENTS

7,288,129 B2 * 10/2007 Oh A47L 9/104
15/327.1
D562,512 S * 2/2008 Yoon D32/34

D641,114 S * 7/2011 Choi D32/34
D642,755 S * 8/2011 Fjellman D32/34
D731,136 S * 6/2015 Yun D32/34
D731,725 S * 6/2015 Jang D32/34
D770,111 S * 10/2016 Lee D32/34
D770,112 S * 10/2016 Yoon D32/34
D771,890 S * 11/2016 Kim D32/34

* cited by examiner

Primary Examiner — Ruth McInroy

(74) *Attorney, Agent, or Firm* — Birch, Stewart, Kolasch & Birch, LLP

(57) **CLAIM**

We claim the ornamental design for a handle for vacuum cleaner, as shown and described.

DESCRIPTION

FIG. 1 is a perspective view of a handle for vacuum cleaner showing our new design;
FIG. 2 is a front elevation view thereof;
FIG. 3 is a rear elevation view thereof;
FIG. 4 is a left-side elevation view thereof;
FIG. 5 is a right-side elevation view thereof;
FIG. 6 is a top plan view thereof; and,
FIG. 7 is a bottom plan view thereof.
The details shown in broken lines form no part of the claimed design.

1 Claim, 4 Drawing Sheets

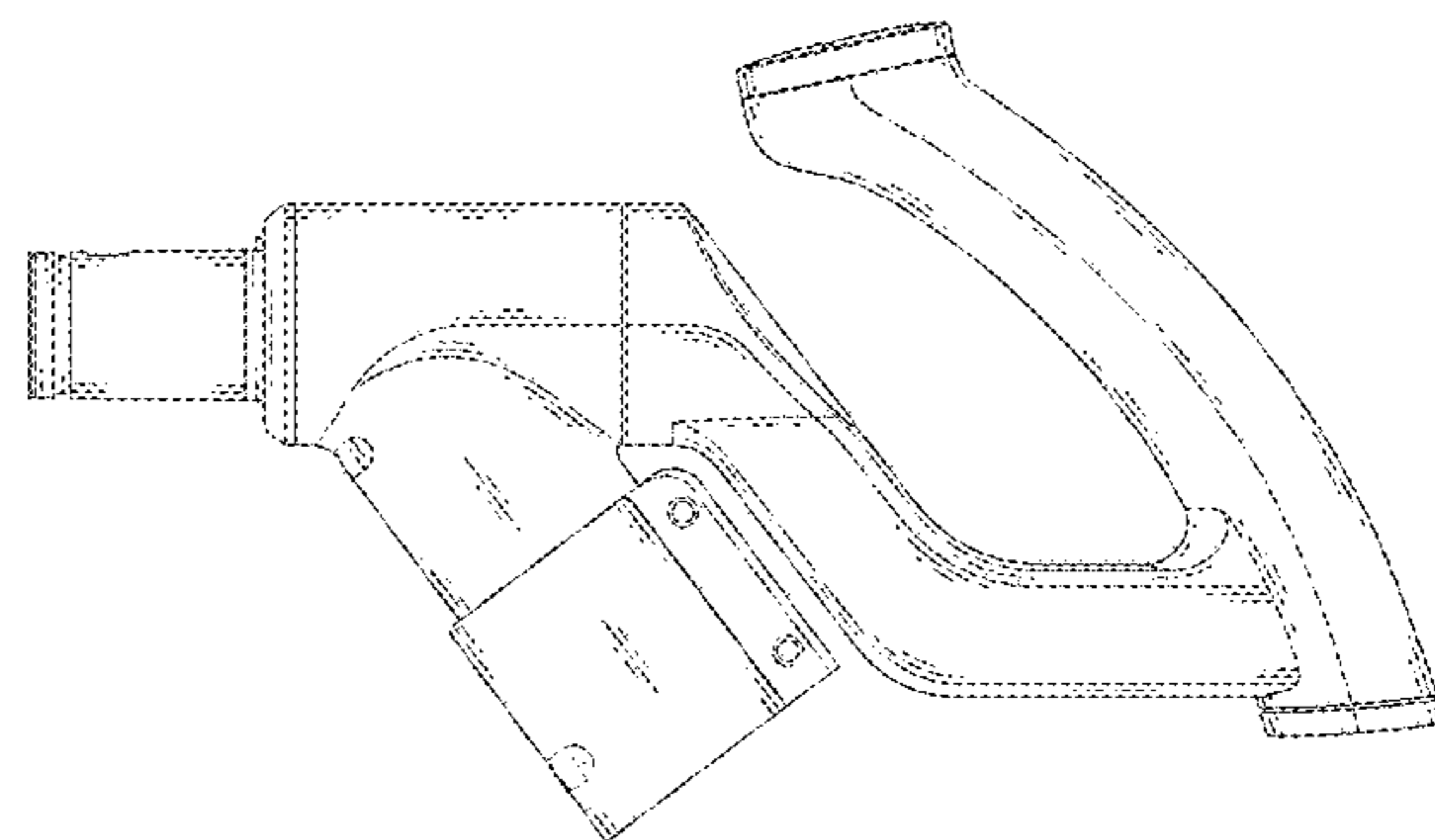
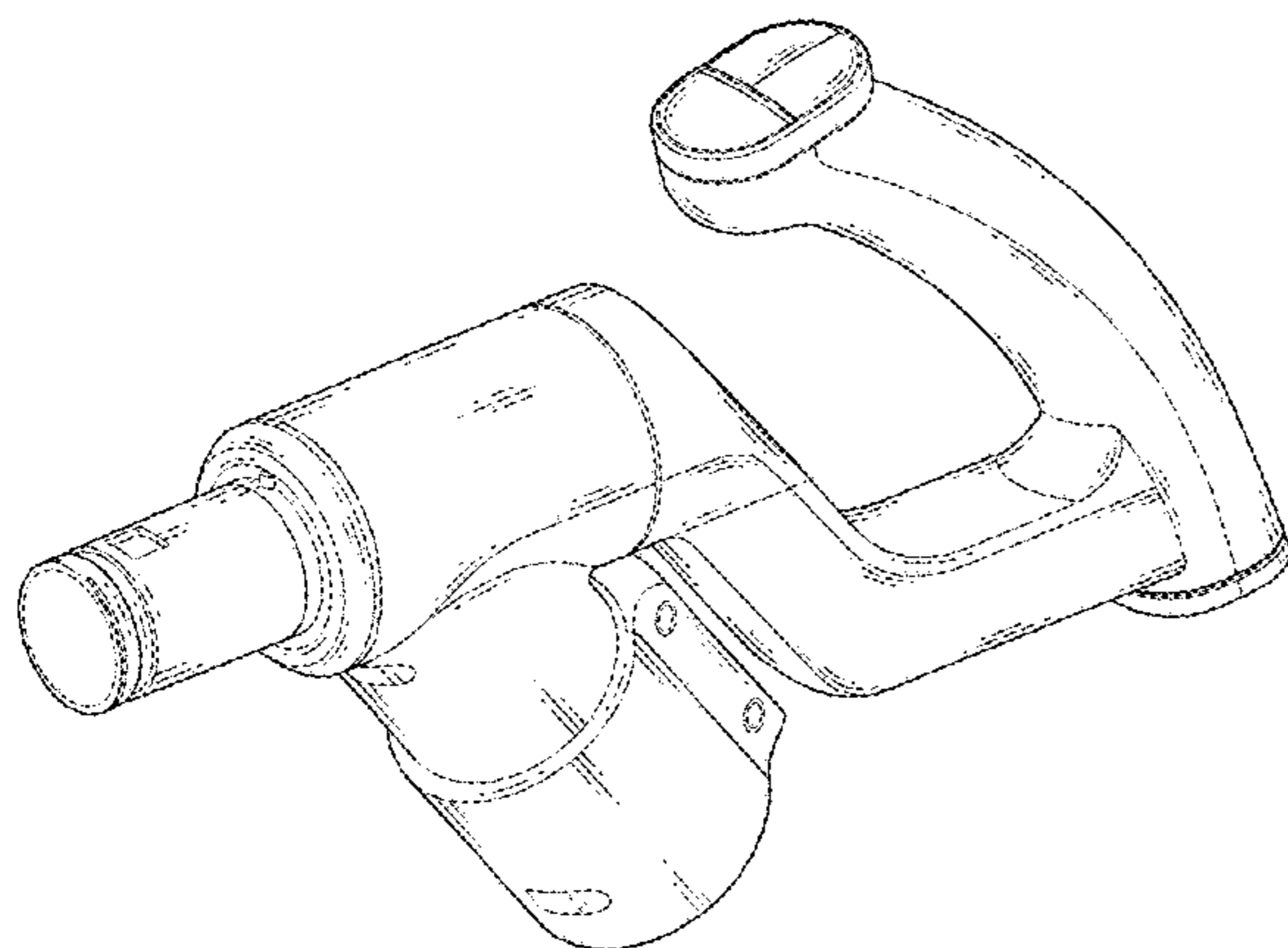


FIG. 1

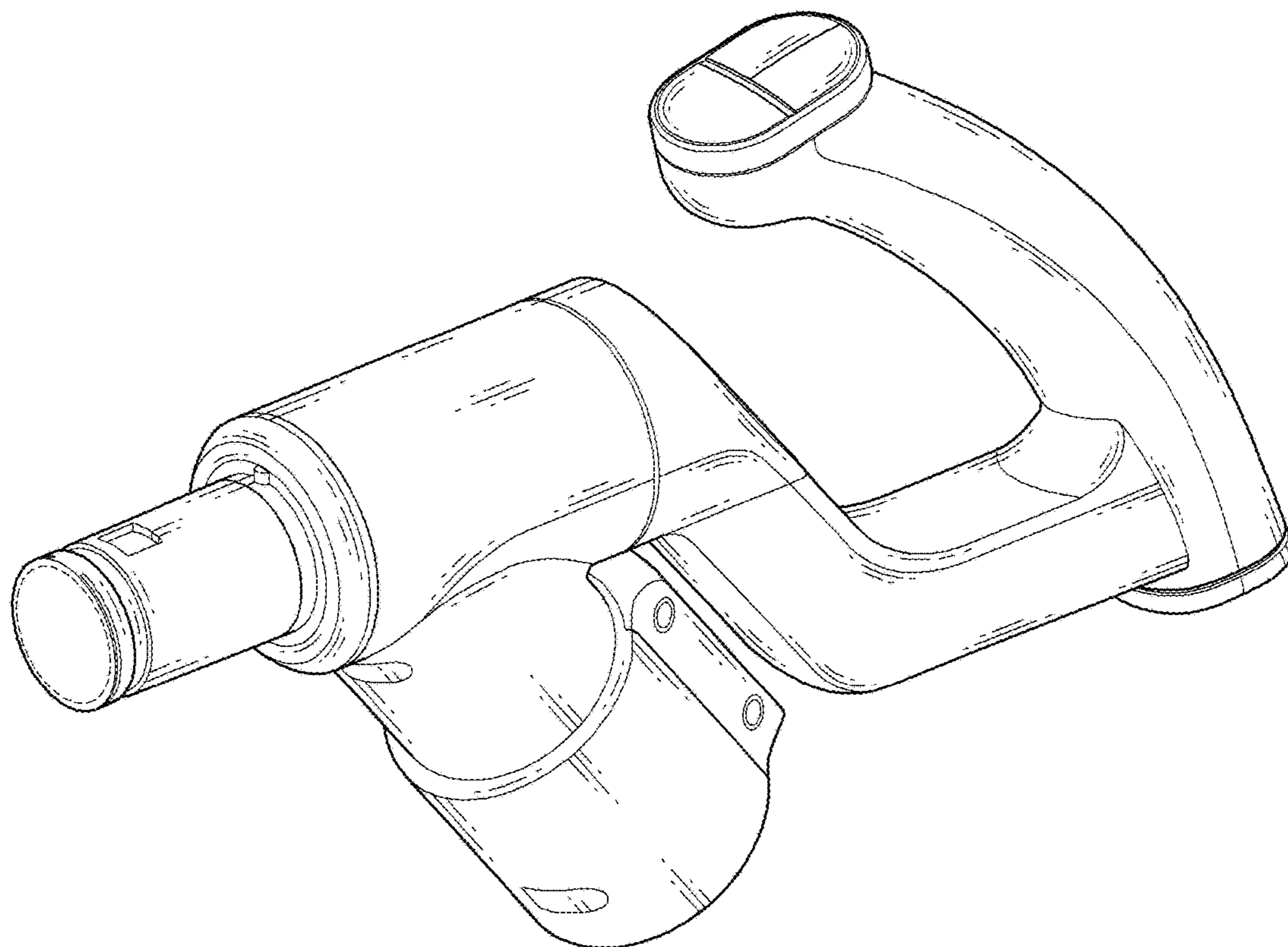


FIG. 2

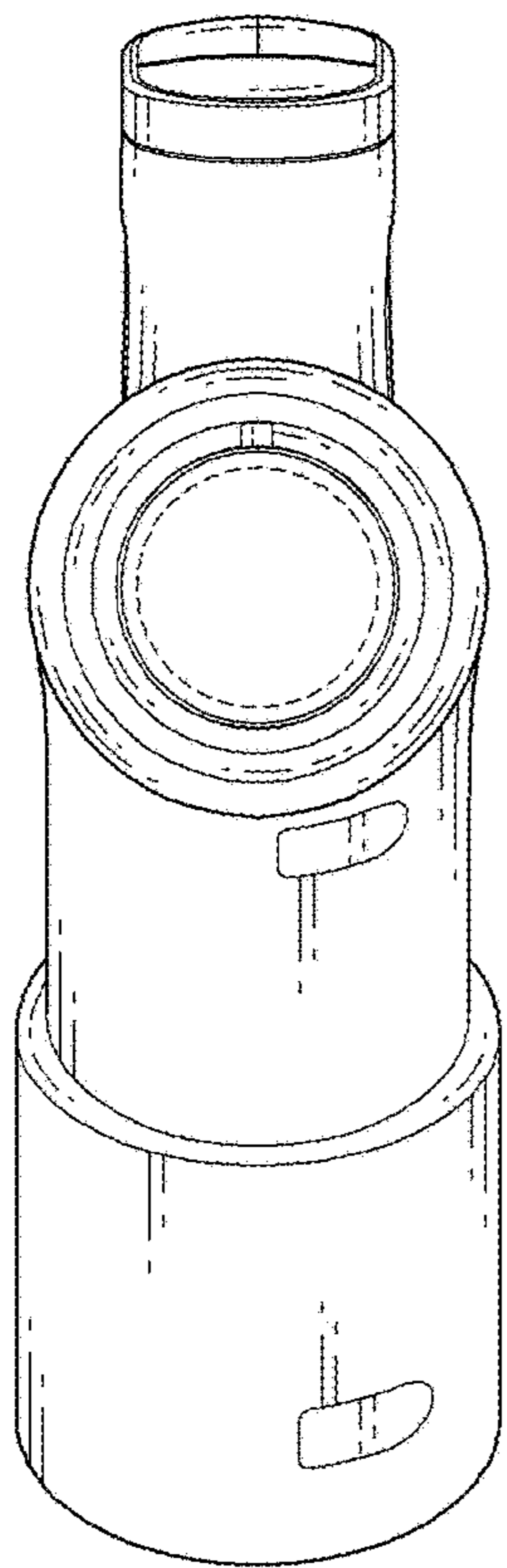


FIG. 3

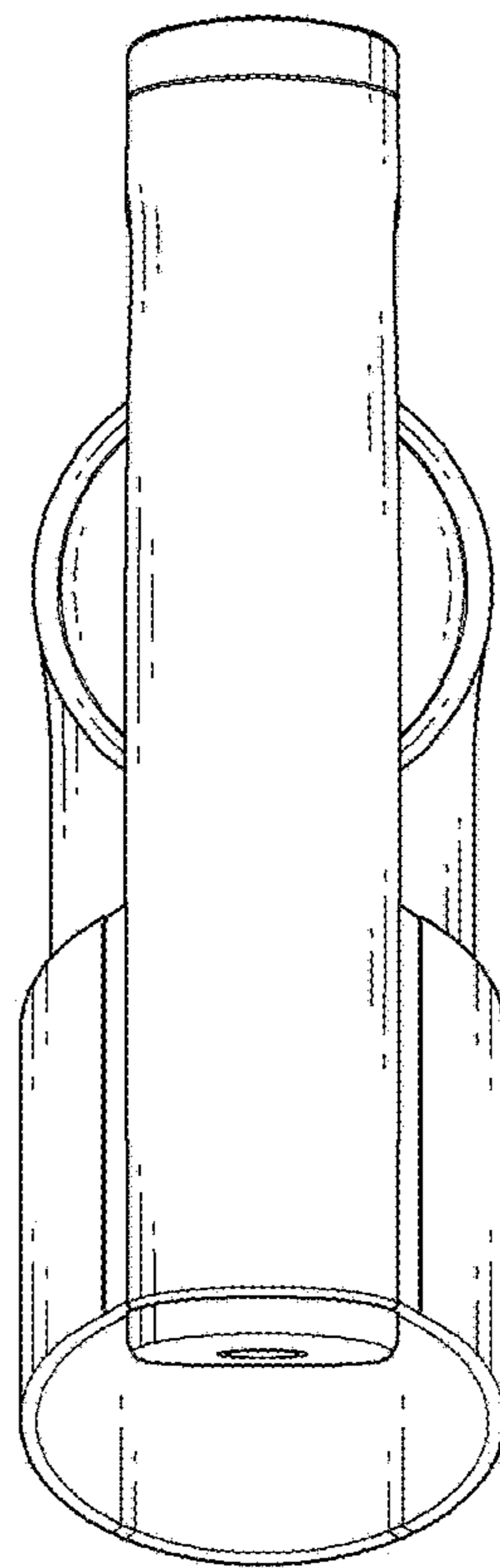


FIG. 4

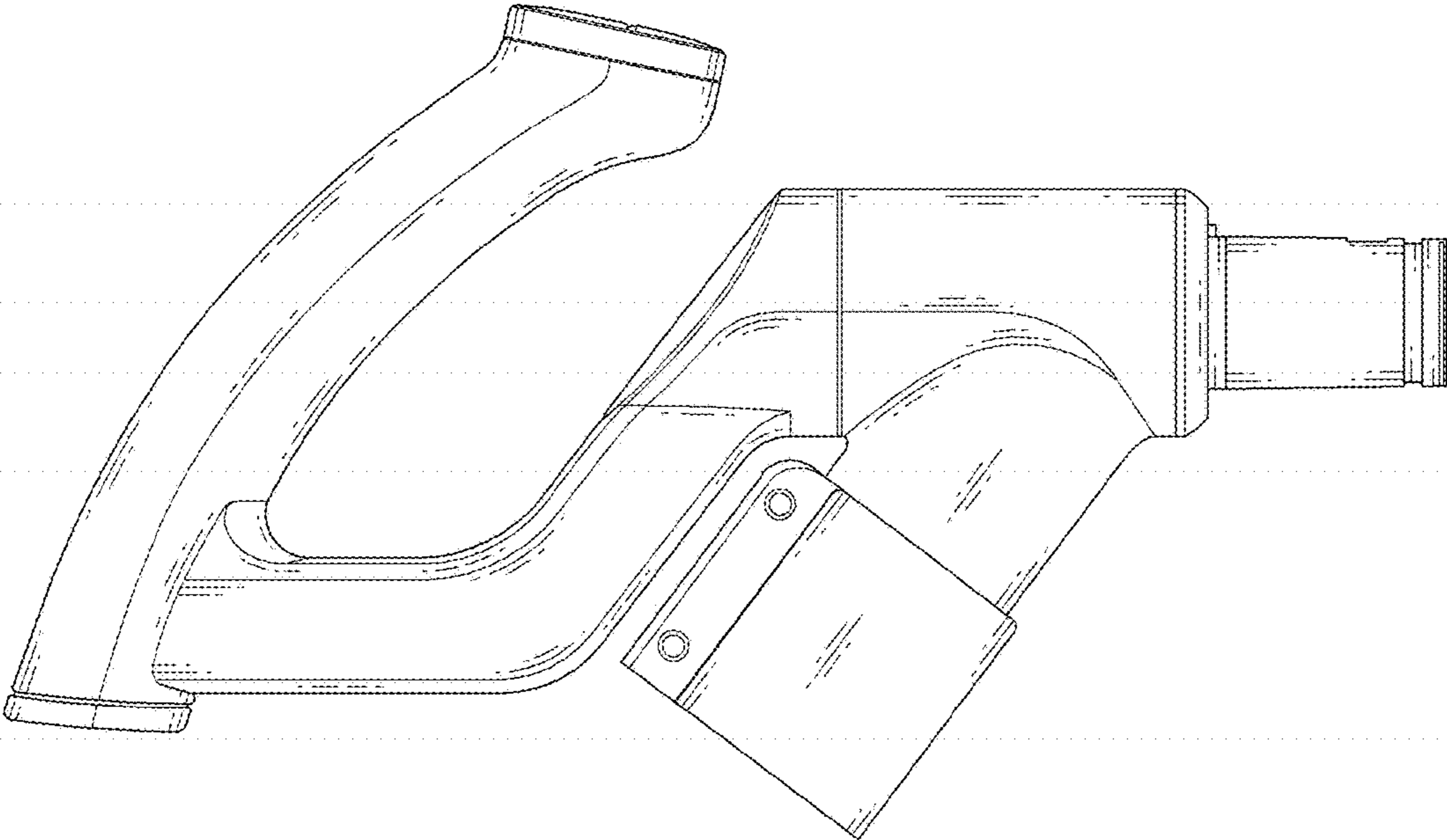


FIG. 5

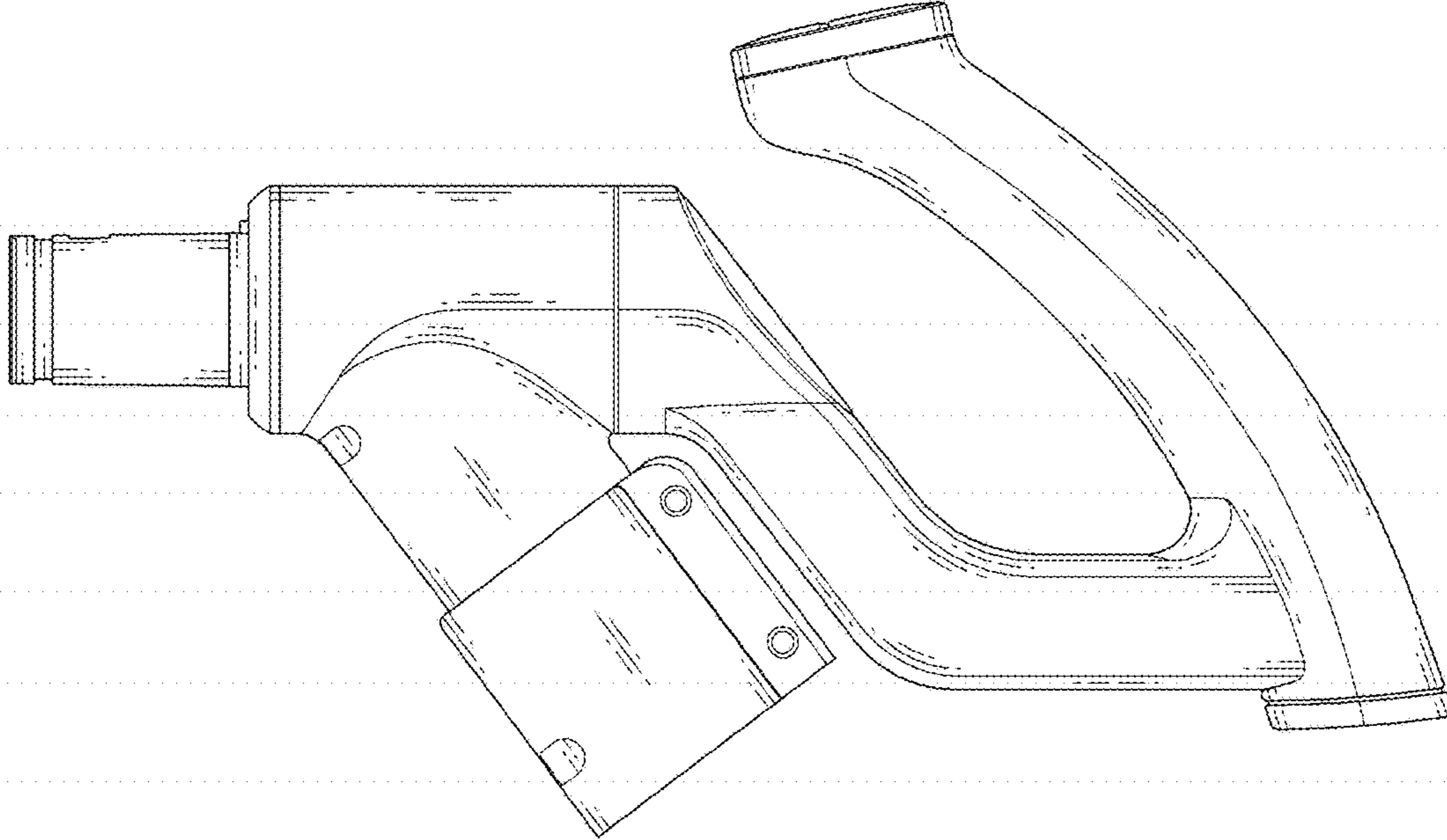


FIG.6

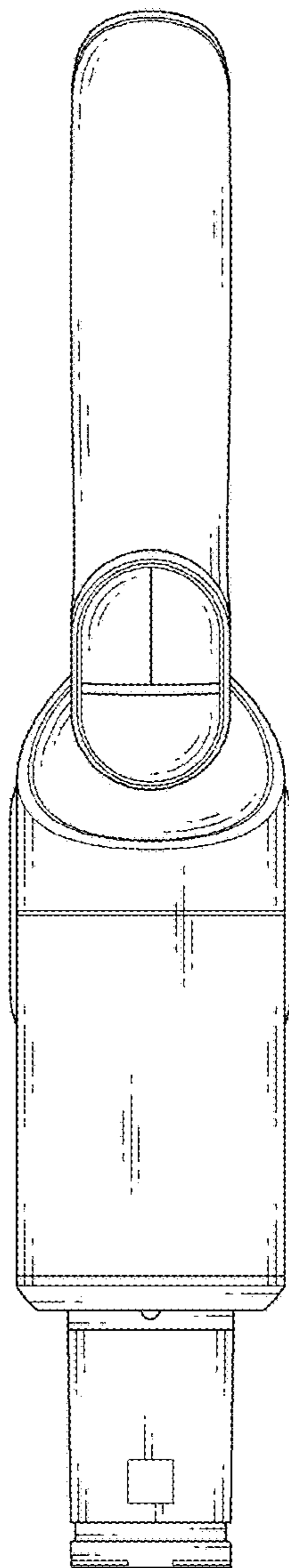


FIG.7

