

US00D804754S

(12) **United States Design Patent**  
**Washington**

(10) **Patent No.:** **US D804,754 S**

(45) **Date of Patent:** **\*\* Dec. 5, 2017**

(54) **VEHICLE VACUUM ATTACHMENT**

(71) Applicant: **Herman L. Washington**, Columbus,  
MD (US)

(72) Inventor: **Herman L. Washington**, Columbus,  
MD (US)

(\*\*) Term: **15 Years**

(21) Appl. No.: **29/586,714**

(22) Filed: **Dec. 6, 2016**

(51) **LOC (10) Cl.** ..... **15-05**

(52) **U.S. Cl.**  
USPC ..... **D32/31**

(58) **Field of Classification Search**  
USPC ..... D32/17-18, 21-22, 31, 34, 69-70, 72  
CPC ..... A47L 5/24; A47L 5/38; A47L 5/28; A47L  
11/4044; A47L 11/34; A47L 7/0038;  
A47L 9/325; A47L 9/02; A47L 1/08;  
D01H 11/006; B60S 1/64; A46B 11/001;  
A46B 11/002; B08B 3/026; B08B 3/028  
See application file for complete search history.

(56) **References Cited**

**U.S. PATENT DOCUMENTS**

- 4,951,348 A \* 8/1990 Krasznai ..... A47L 5/24  
15/395
- 5,535,479 A \* 7/1996 Pink ..... A47L 5/14  
15/330
- 7,152,272 B2 \* 12/2006 Rukavina ..... A47L 7/0076  
15/313
- 7,231,686 B1 \* 6/2007 Matheney ..... A47L 7/0076  
15/313

- 7,266,859 B2 \* 9/2007 Slone ..... B60S 1/64  
15/313
- 7,444,710 B1 \* 11/2008 Martin ..... B60N 2/2821  
15/313
- 7,480,957 B2 \* 1/2009 Ganzenmuller ..... B60S 1/64  
15/313
- 7,513,007 B2 \* 4/2009 Chernoff ..... A47L 5/24  
15/313
- 8,296,897 B2 \* 10/2012 Moore ..... B60S 1/64  
15/313
- D752,831 S \* 3/2016 Kim ..... D32/18
- D760,969 S \* 7/2016 Kim ..... D32/18

\* cited by examiner

*Primary Examiner* — Ruth McInroy

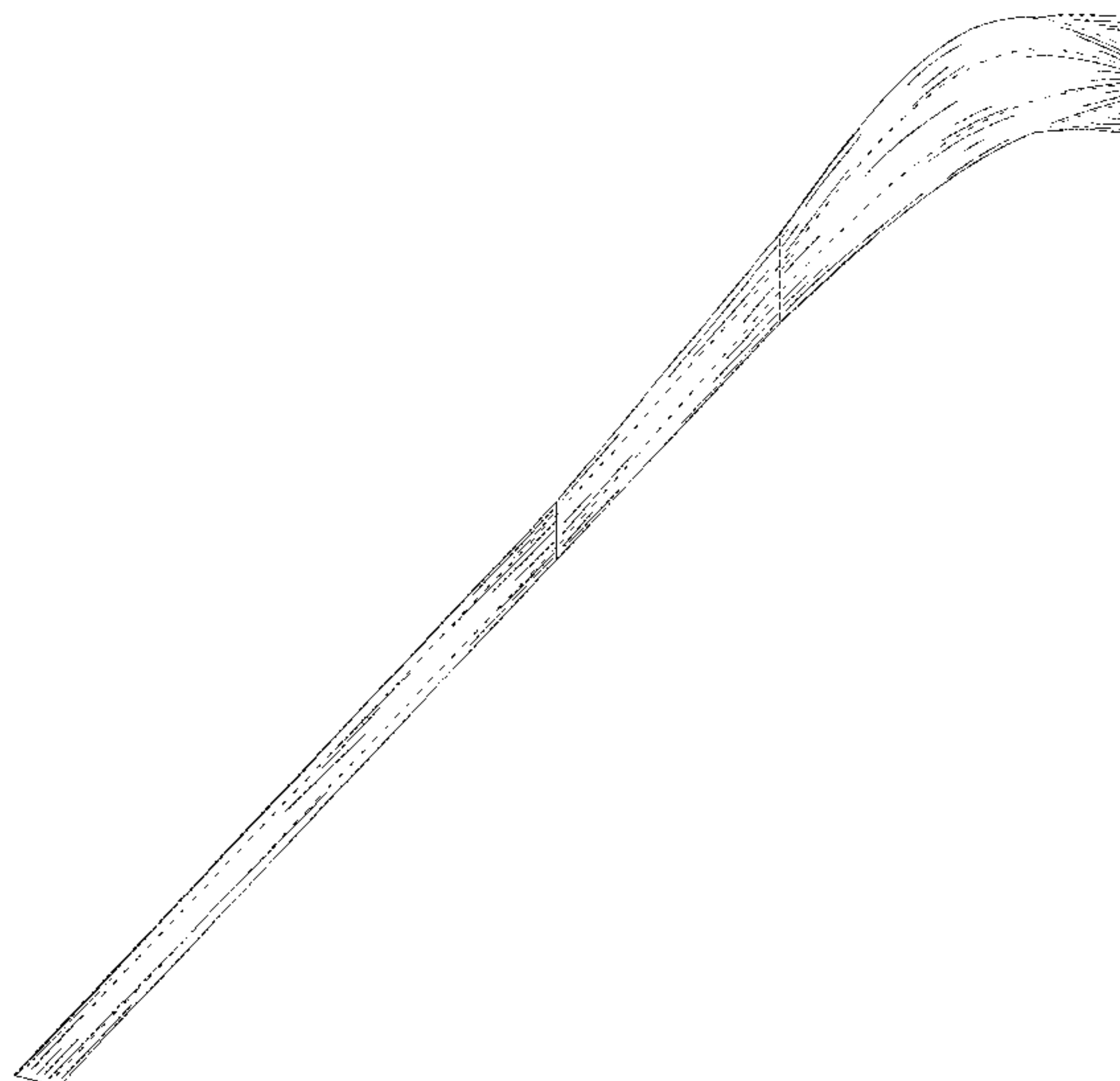
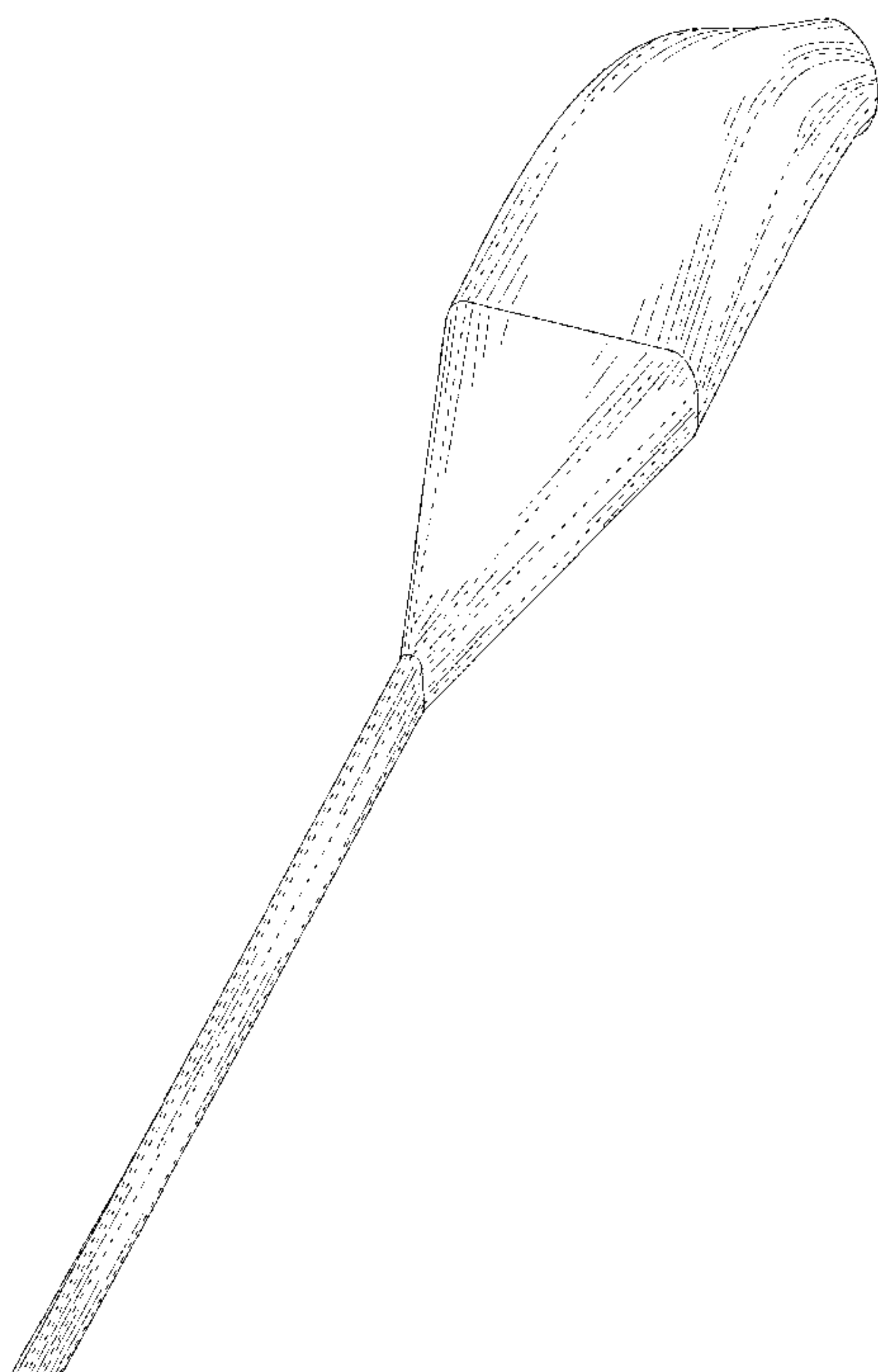
(57) **CLAIM**

The ornamental design for a vehicle vacuum attachment, as shown and described.

**DESCRIPTION**

FIG. 1 is a perspective view of a vehicle vacuum attachment; FIG. 2 is a front elevational view thereof; FIG. 3 is a rear elevational view thereof; FIG. 4 is a left side elevational view thereof; FIG. 5 is a right side elevational view thereof; FIG. 6 is a top plan view thereof; FIG. 7 is a bottom plan view thereof; FIG. 8 is a left-side perspective view thereof; FIG. 9 is a bottom left perspective view thereof; FIG. 10 is a back perspective view thereof; and, FIG. 11 is a back top perspective view thereof. The details shown in broken lines form no part of the claimed design.

**1 Claim, 11 Drawing Sheets**



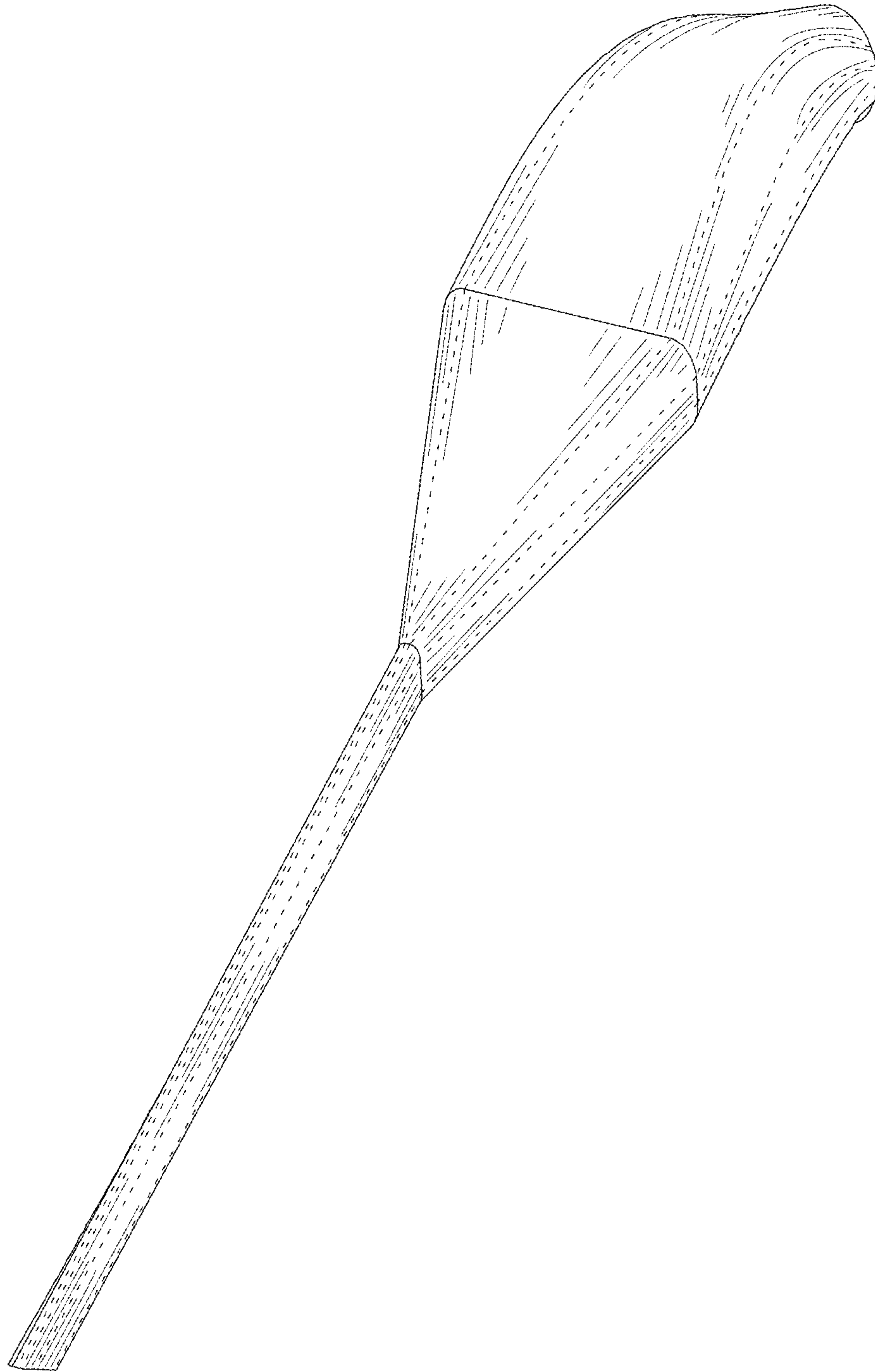


FIG. 1

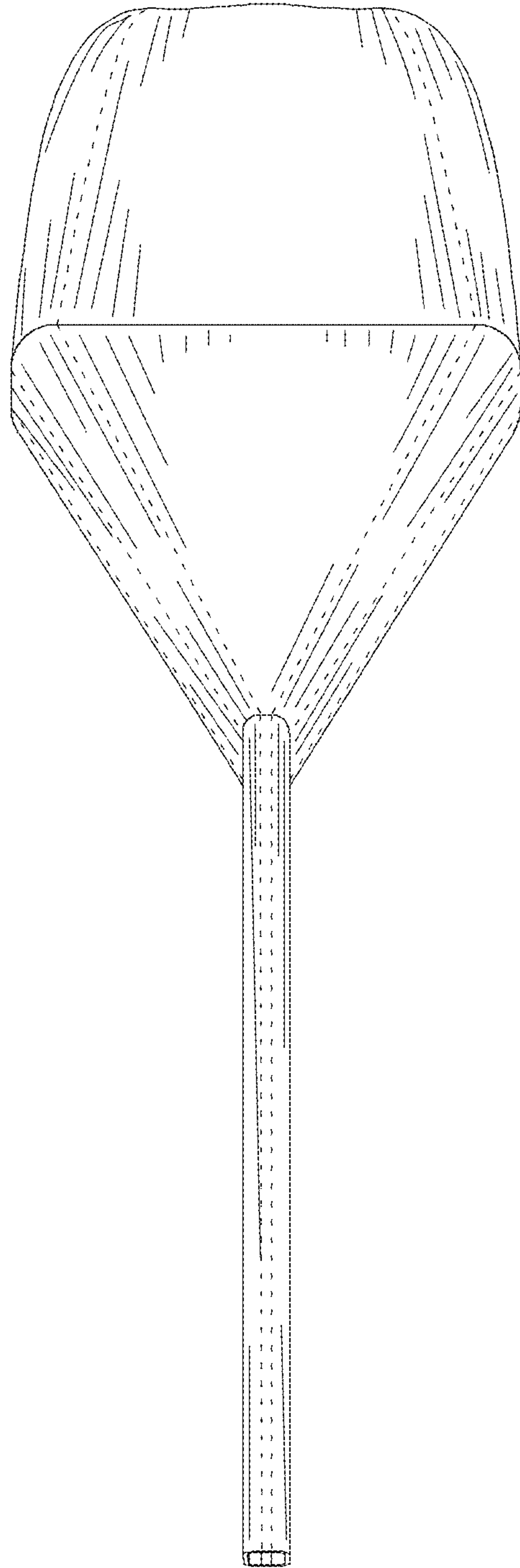


FIG. 2

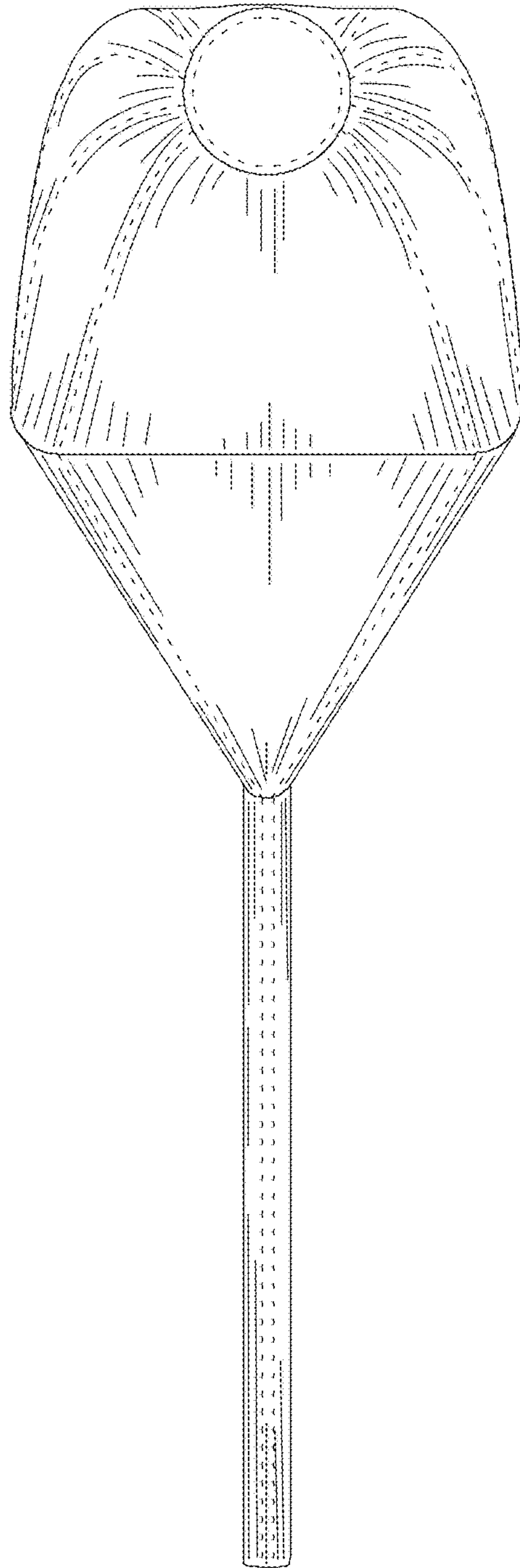


FIG. 3

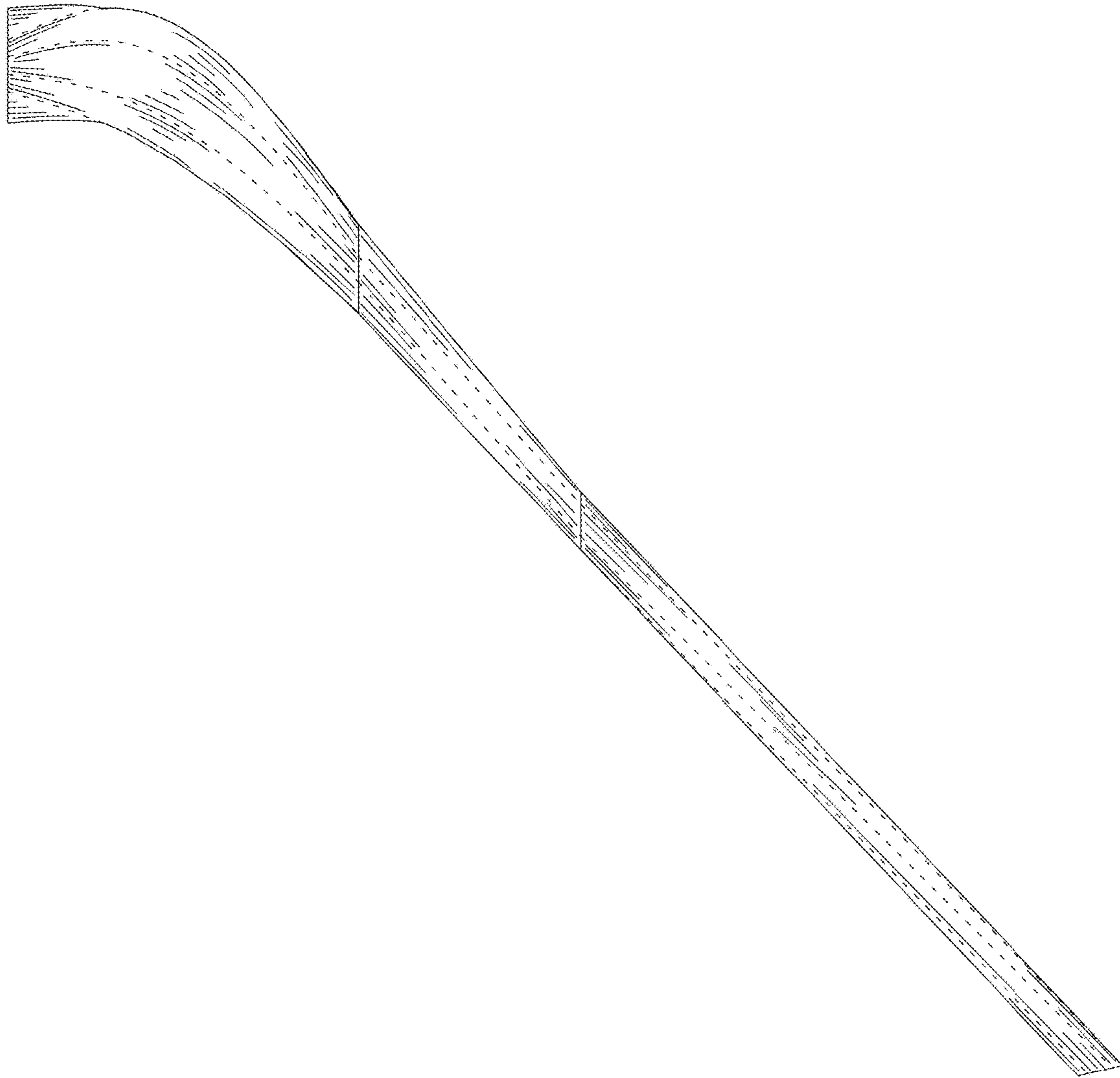


FIG. 4

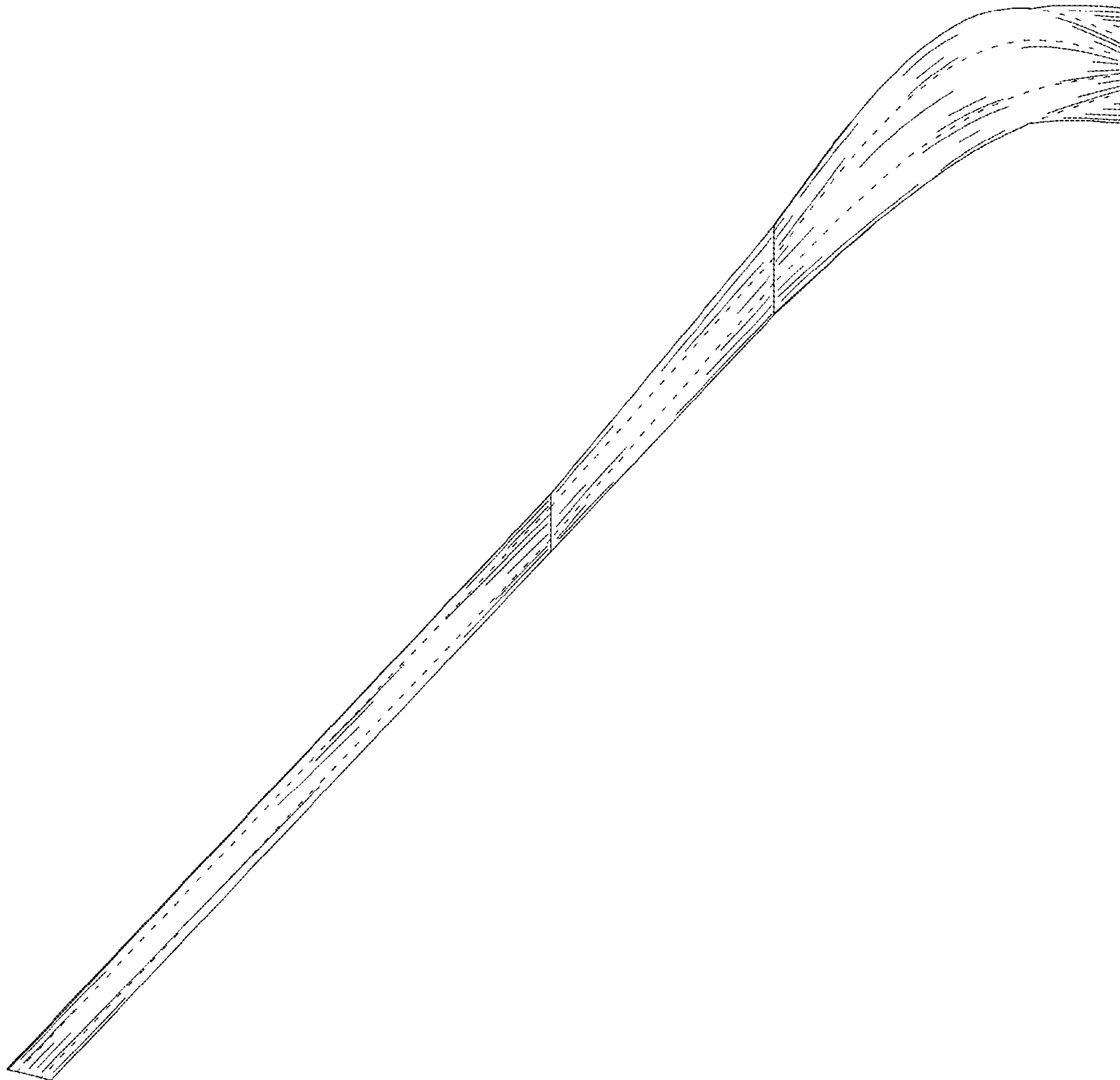


FIG. 5



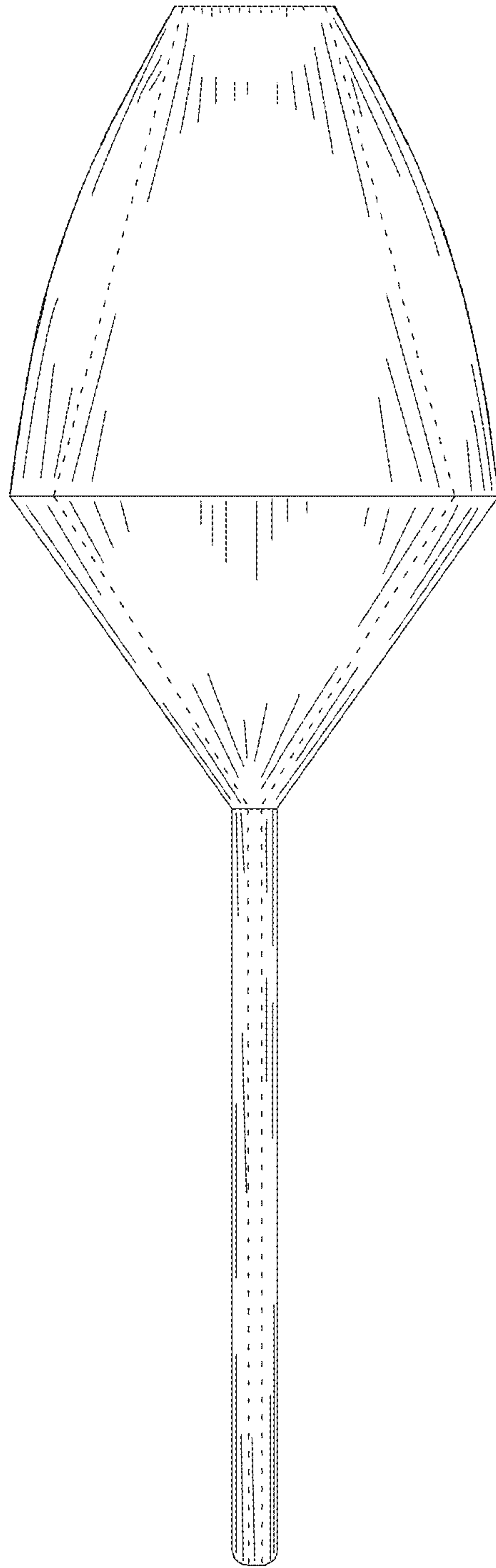


FIG. 6

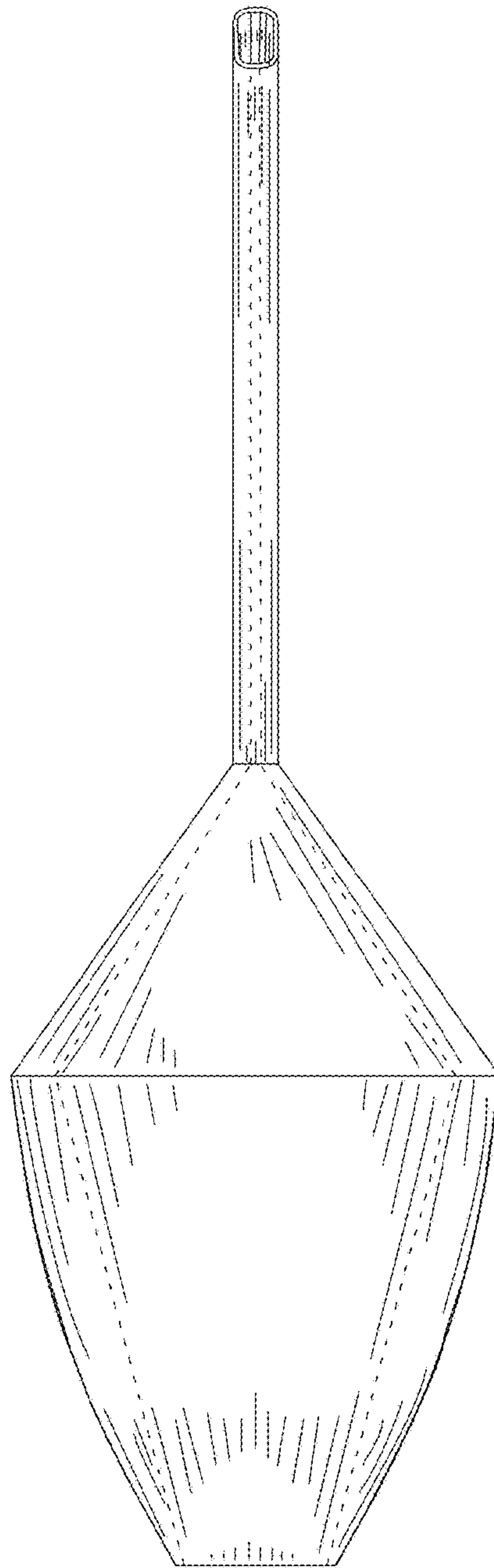


FIG. 7



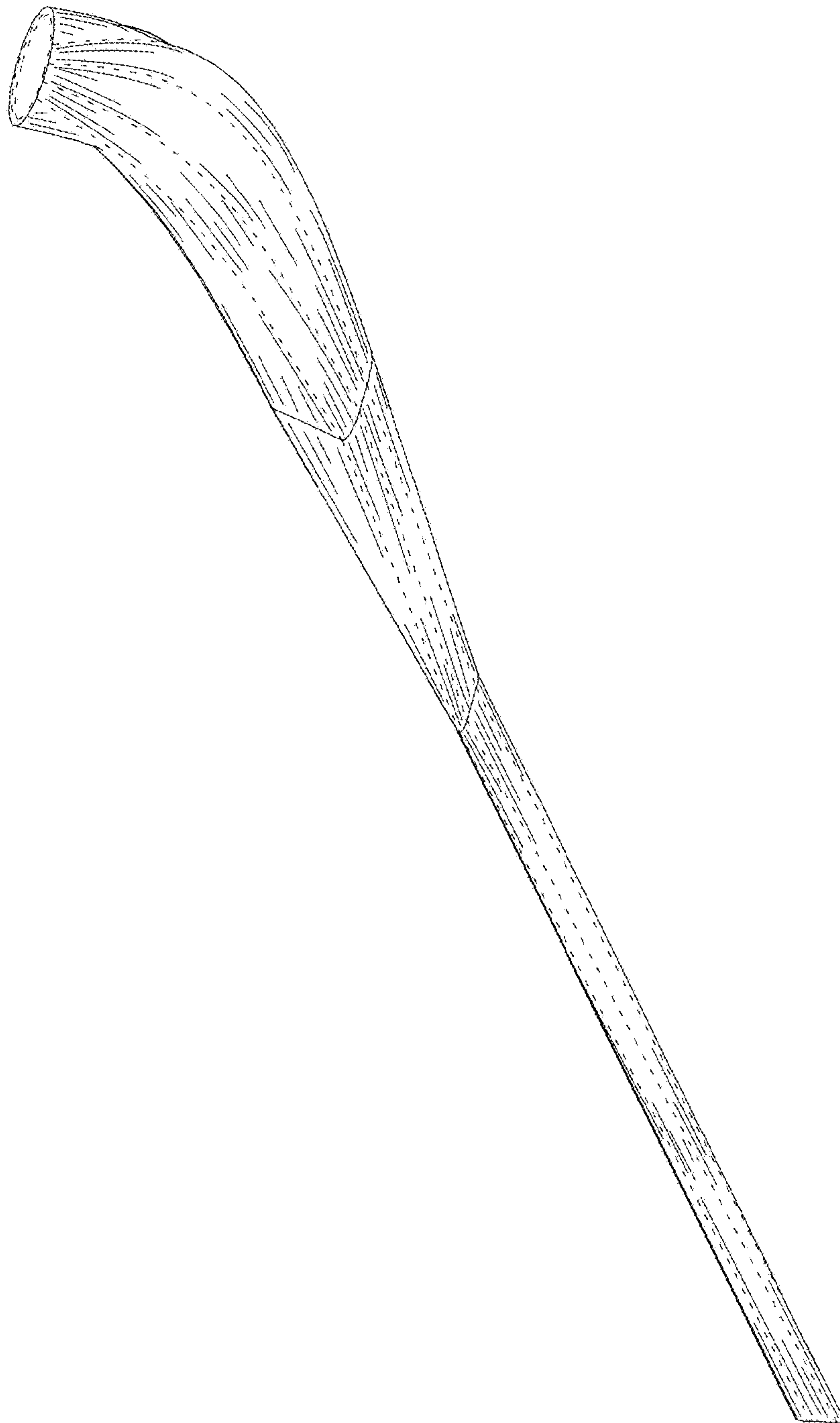


FIG. 8

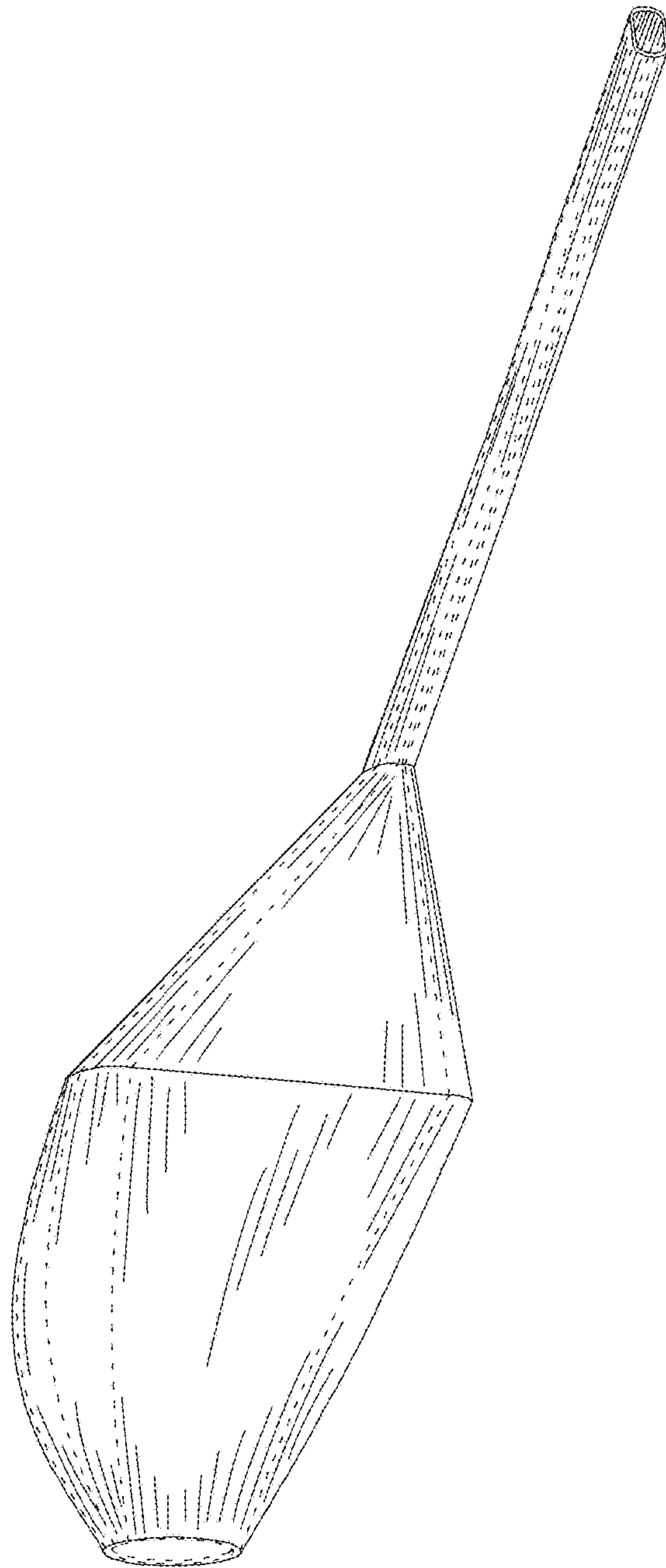


FIG. 9

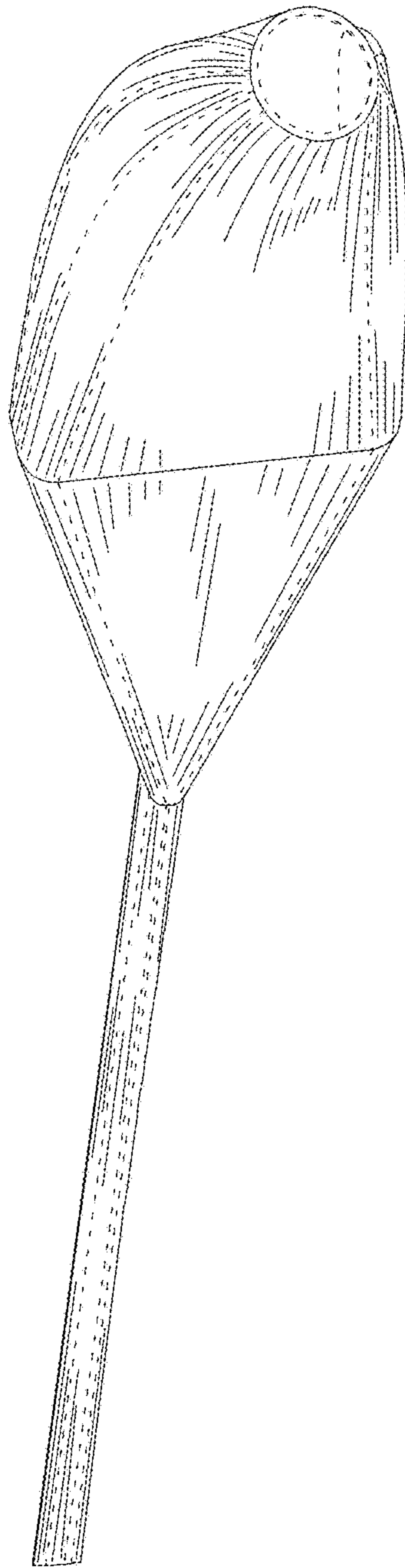


FIG. 10

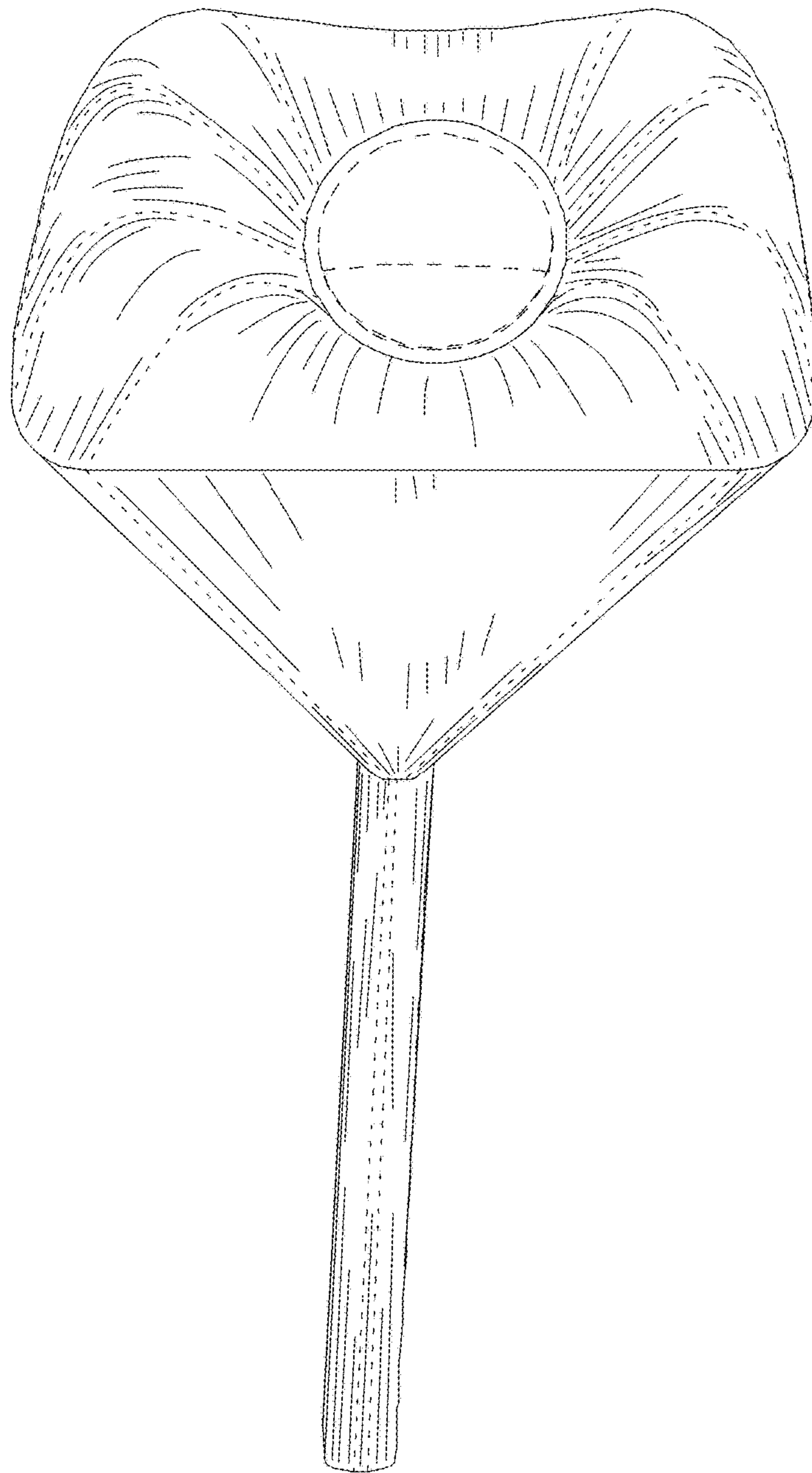


FIG. 11