



US00D804752S

(12) **United States Design Patent**
Shin et al.

(10) **Patent No.:** **US D804,752 S**

(45) **Date of Patent:** **** Dec. 5, 2017**

(54) **VACUUM CLEANER**

(71) Applicant: **Samsung Electronics Co., Ltd.**,
Suwon-si (KR)

(72) Inventors: **Dong-Ju Shin**, Seoul (KR); **Young-Jin Kim**,
Gunpo-si (KR)

(73) Assignee: **SAMSUNG ELECTRONICS CO., LTD.**,
Suwon-si (KR)

(**) Term: **15 Years**

(21) Appl. No.: **29/548,030**

(22) Filed: **Dec. 9, 2015**

(30) **Foreign Application Priority Data**

Jun. 15, 2015 (KR) 30-2015-0029815

(51) **LOC (10) Cl.** **15-05**

(52) **U.S. Cl.**
USPC **D32/31**

(58) **Field of Classification Search**
USPC D32/17-18, 22, 31, 34, 45, 50-51;
D8/374, 323, 325
CPC A47L 5/24; A47L 5/28; A47L 5/34; A47L
7/0038; A47L 9/325; A47L 9/02; A47L
11/34; A47L 11/4086; A47L 13/26; A47L
13/225; A47L 13/22; B08B 9/0323; A23C
3/031

See application file for complete search history.

(56) **References Cited**

U.S. PATENT DOCUMENTS

D358,690 S * 5/1995 Hohulin D32/31
D405,568 S * 2/1999 Mehaffey D21/562
D544,156 S * 6/2007 Dyson D32/31
D563,065 S * 2/2008 Yoon D32/31
D563,066 S * 2/2008 Shevlin D32/31

D570,561 S * 6/2008 Dyson D32/22
D588,762 S * 3/2009 Dyson D32/31
D613,470 S * 4/2010 Svantesson D32/31
D614,368 S * 4/2010 Svantesson D32/31
D675,390 S * 1/2013 Dyson D32/31
D677,028 S * 2/2013 Dyson D32/31
D711,606 S * 8/2014 Jang D32/31
D711,607 S * 8/2014 Yun D32/31
D712,606 S * 9/2014 Shin D32/31
D722,411 S * 2/2015 Chun D32/31
D733,983 S * 7/2015 Yun D32/31

* cited by examiner

Primary Examiner — Ruth McInroy

(74) *Attorney, Agent, or Firm* — McAndrews Held & Malloy, Ltd.

(57) **CLAIM**

The ornamental design for a vacuum cleaner, as shown and described.

DESCRIPTION

FIG. 1 is a front perspective view of a vacuum cleaner showing our new design;
FIG. 2 is a front elevation view thereof;
FIG. 3 is a rear elevation view thereof;
FIG. 4 is a left-side elevation view thereof;
FIG. 5 is a right-side elevation view thereof;
FIG. 6 is a top plan view thereof;
FIG. 7 is a bottom plan view thereof;
FIG. 8 is a rear perspective view thereof;
FIG. 9 is enlarged view of the encircled portion in FIG. 1; and,
FIG. 10 is enlarged view of the encircled portion in FIG. 8. The dashed broken lines illustrate portions of the vacuum cleaner that form no part of the claimed design. The dot-dash broken lines in the figures encircle portions of the claimed design that are illustrated in an enlargement and form no part of the claimed design.

1 Claim, 8 Drawing Sheets

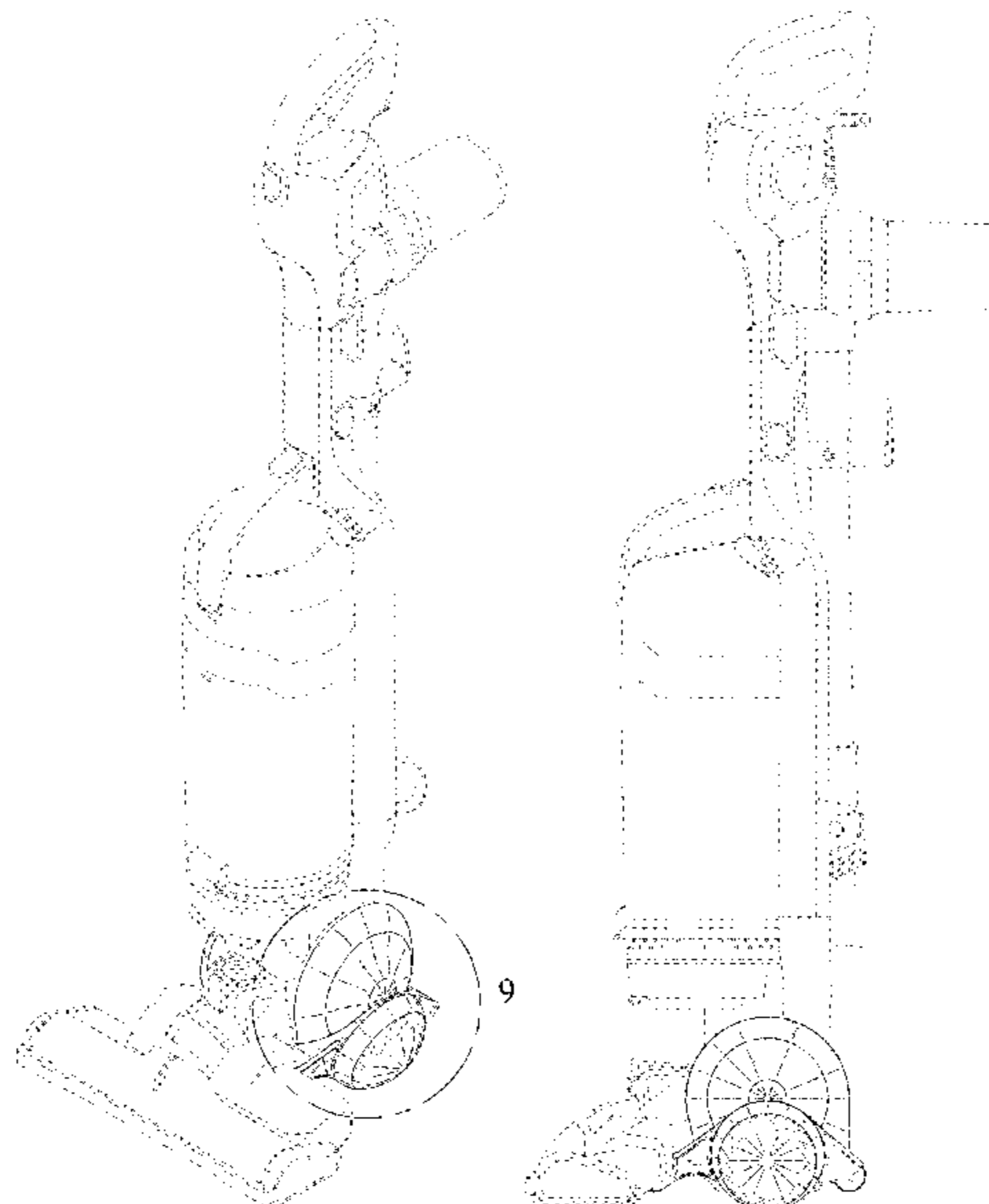


FIG. 1

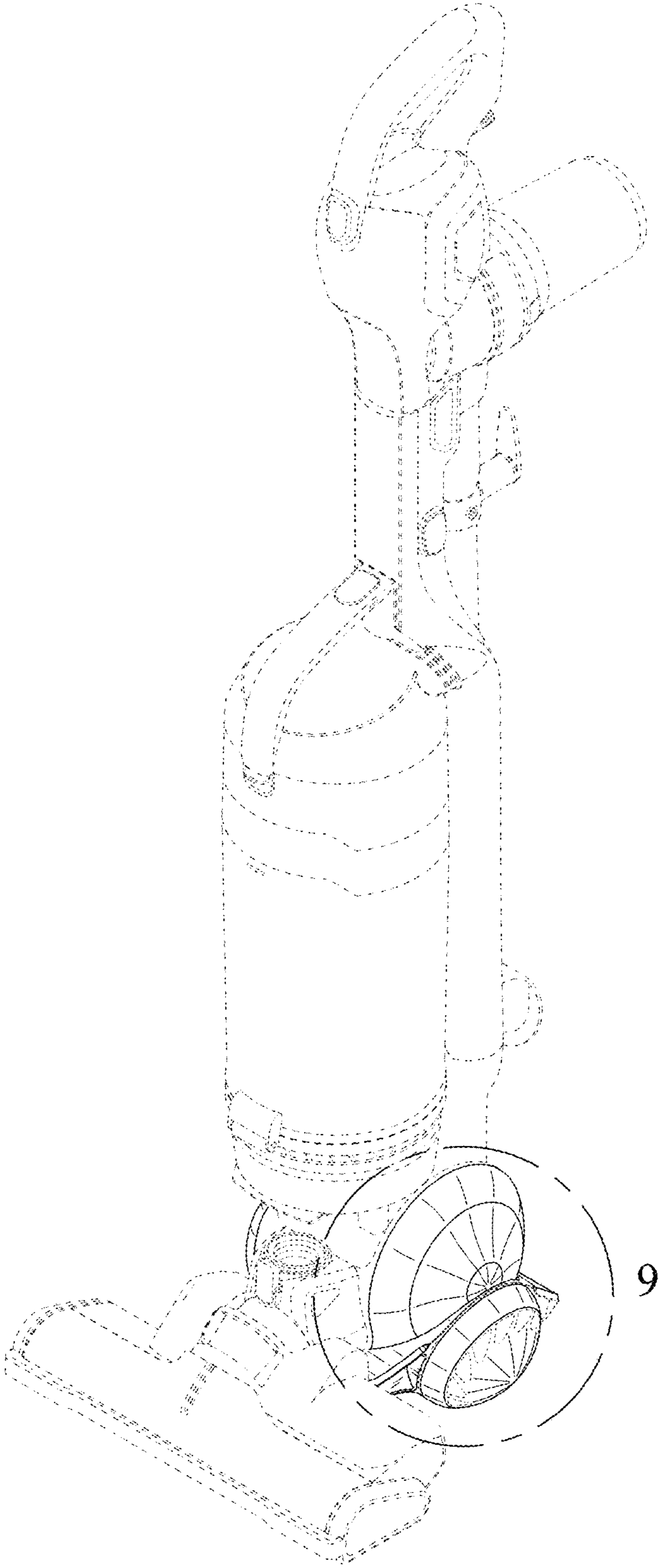


FIG. 2

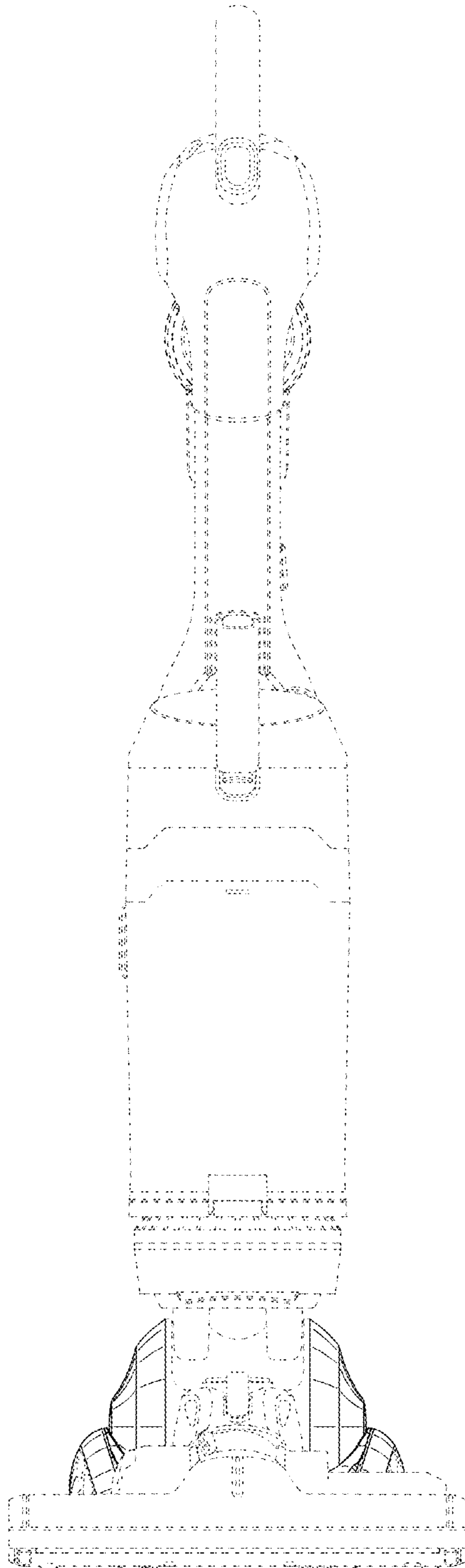


FIG. 3

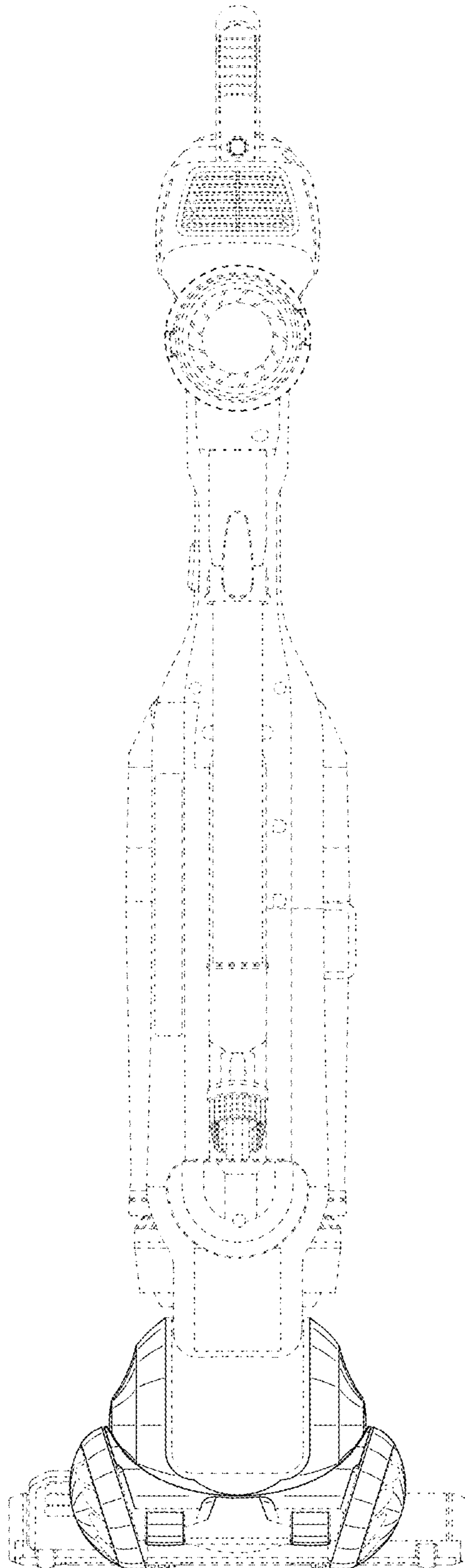


FIG. 4

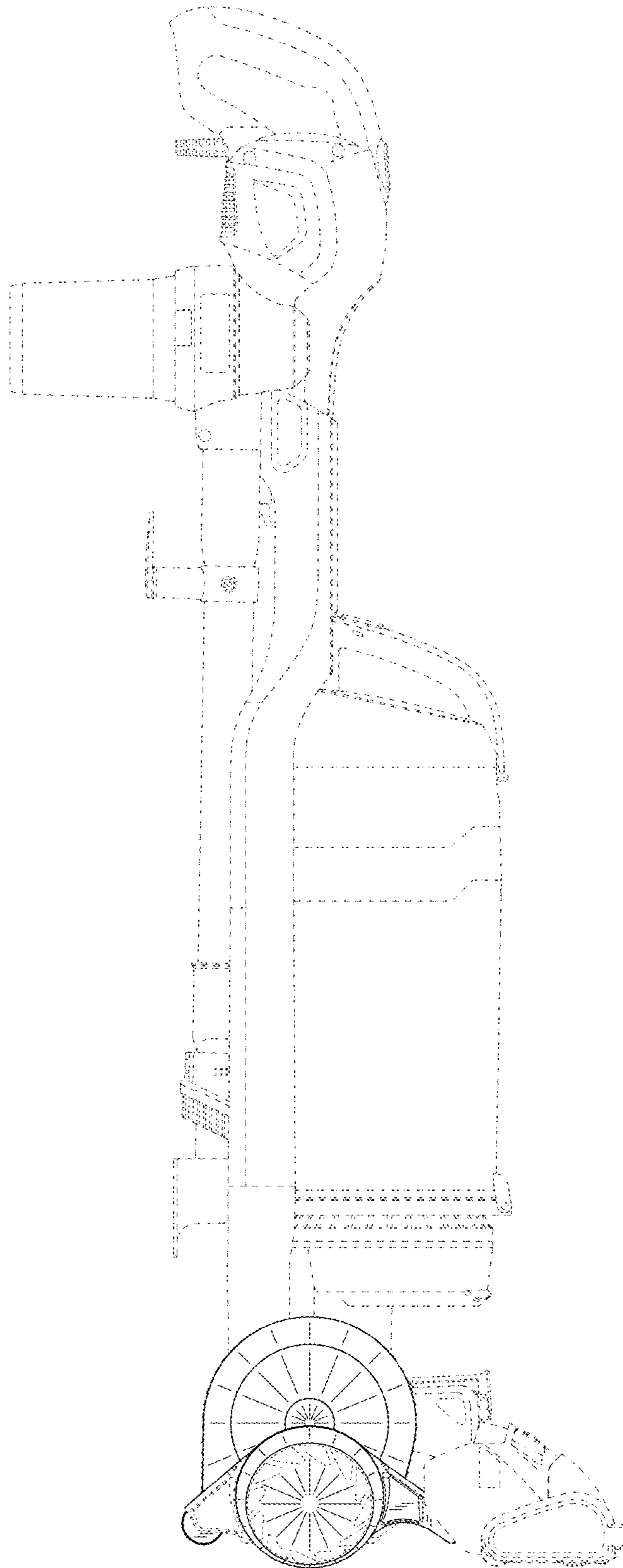


FIG. 5

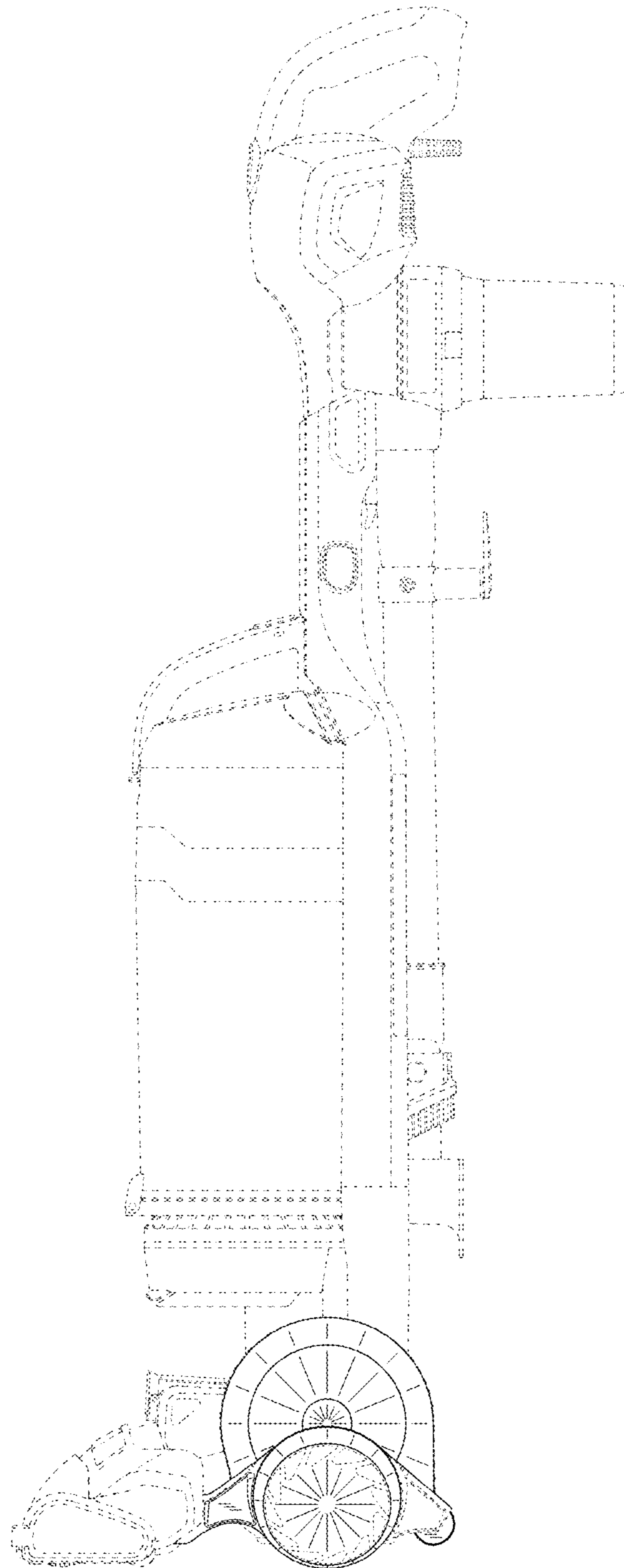


FIG. 6

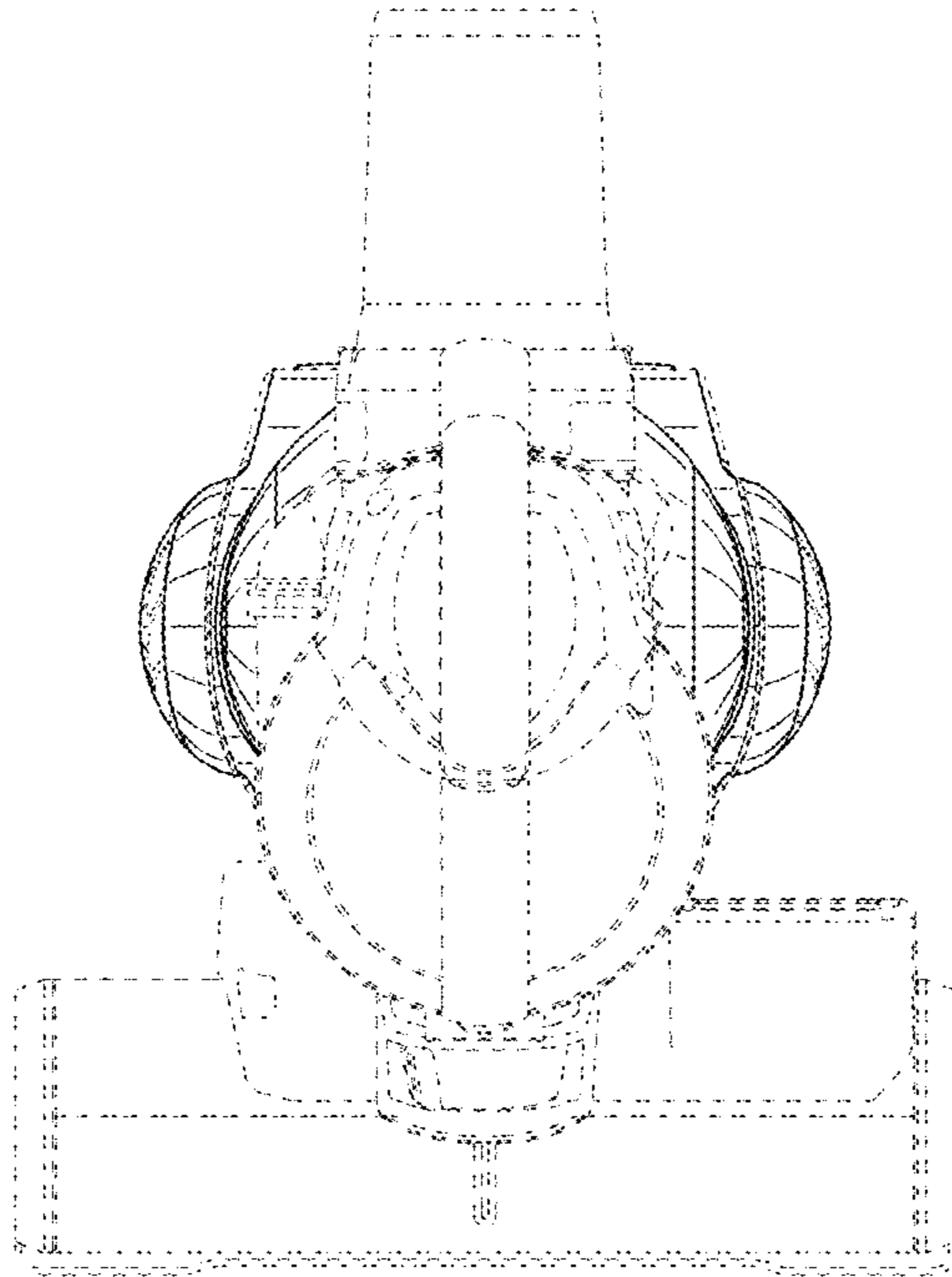


FIG. 7

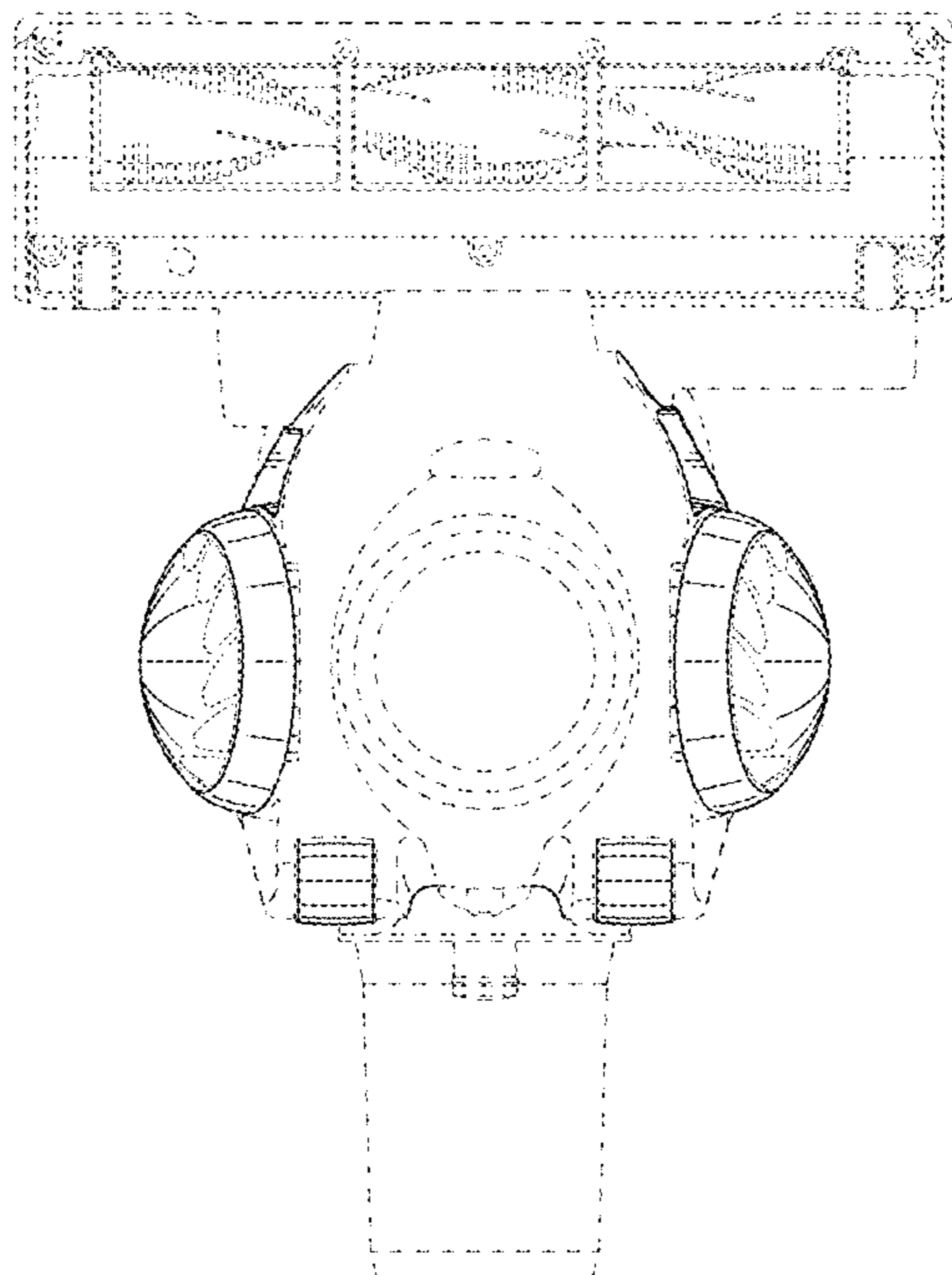


FIG. 8

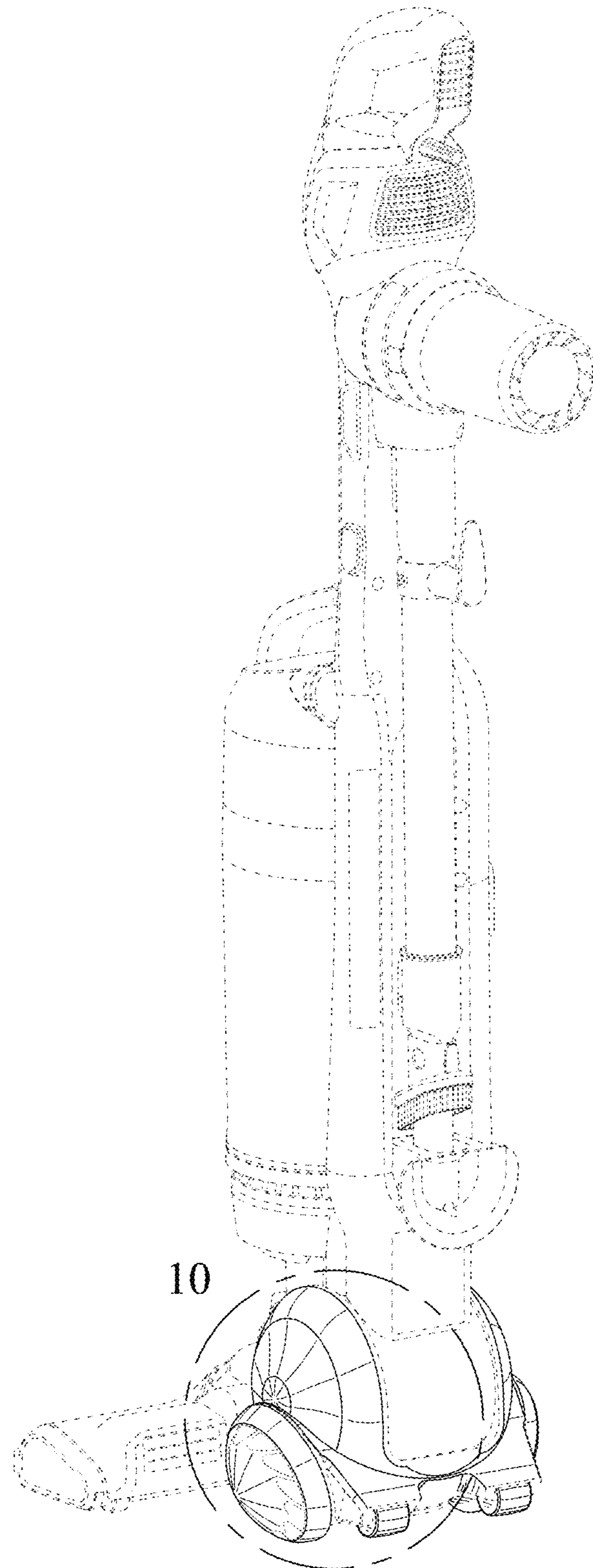


FIG. 9

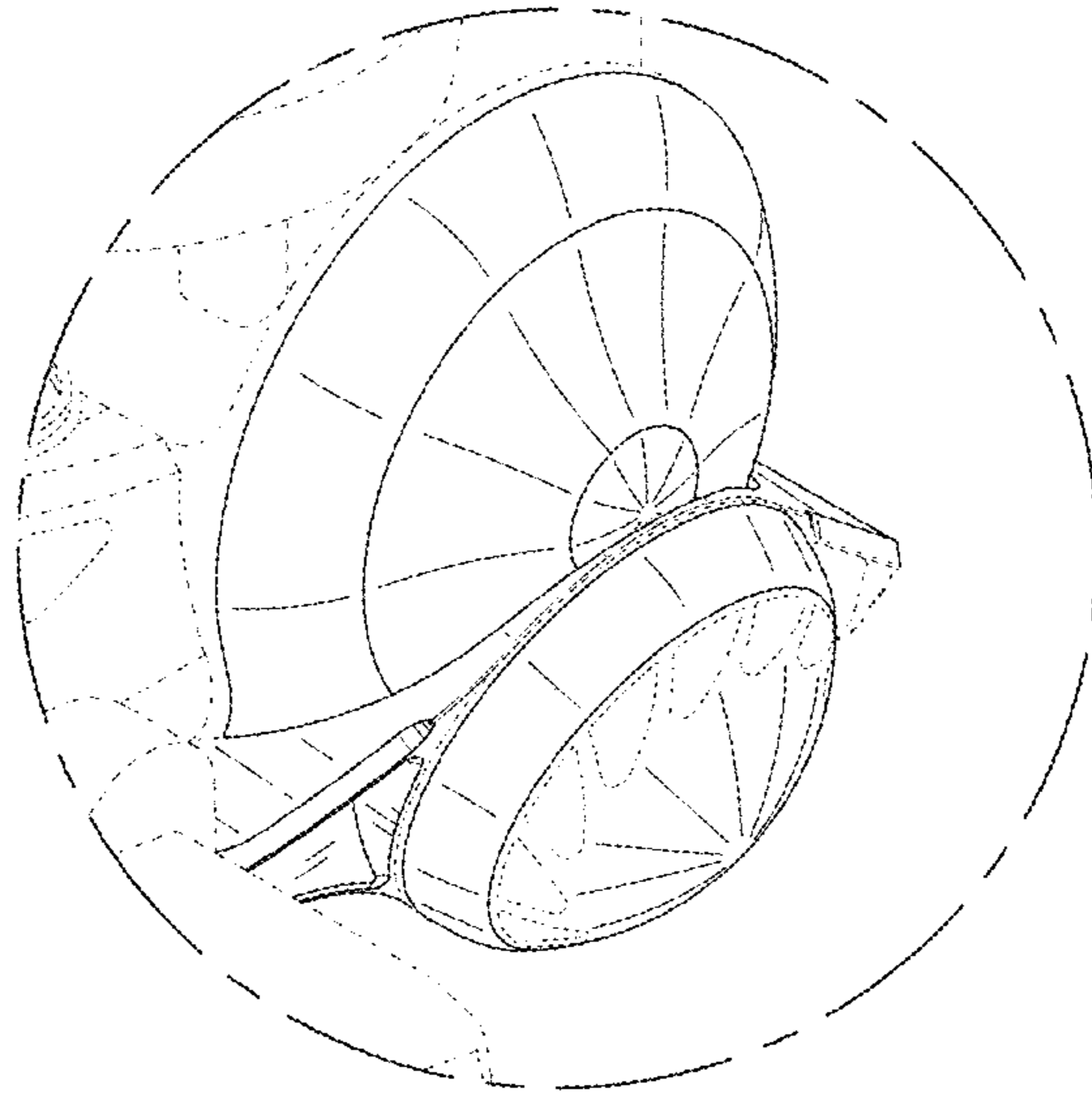


FIG. 10

