



US00D804751S

(12) **United States Design Patent**
Johnson et al.

(10) **Patent No.:** **US D804,751 S**
(45) **Date of Patent:** **** Dec. 5, 2017**

(54) **VACUUM CLEANER**

(71) Applicant: **SHARKNINJA OPERATING LLC**,
Newton, MA (US)

(72) Inventors: **Owen Rhys Alban Johnson**, Needham,
MA (US); **Gary Palladino**,
Sommerville, MA (US)

(73) Assignee: **SharkNinja Operating LLC**,
Needham, MA (US)

(**) Term: **15 Years**

(21) Appl. No.: **29/559,365**

(22) Filed: **Mar. 28, 2016**

(51) **LOC (10) Cl.** **15-05**

(52) **U.S. Cl.**

USPC **D32/22**

(58) **Field of Classification Search**

USPC D32/17-18, 21-22, 31, 34
CPC A47L 5/24; A47L 5/28; A47L 5/34; A47L
5/362; A47L 5/36; A47L 11/34; A47L
9/325; A47L 9/20; A47L 9/02; A47L
9/32; A47L 9/322; A47L 9/327; A47L
7/0038

See application file for complete search history.

(56) **References Cited**

U.S. PATENT DOCUMENTS

D537,584 S * 2/2007 Greene D32/22
D684,326 S * 6/2013 Okabe D32/22

D739,620 S * 9/2015 Johnson D32/22
D740,503 S * 10/2015 Tyler D32/22
D751,261 S * 3/2016 Thorne D32/22
2011/0219580 A1* 9/2011 Conrad A47L 5/28
15/410
2014/0237767 A1* 8/2014 Conrad A47L 9/2857
15/353

* cited by examiner

Primary Examiner — Ruth McInroy

(74) *Attorney, Agent, or Firm* — Grossman Tucker
Perreault & Pflieger, PLLC

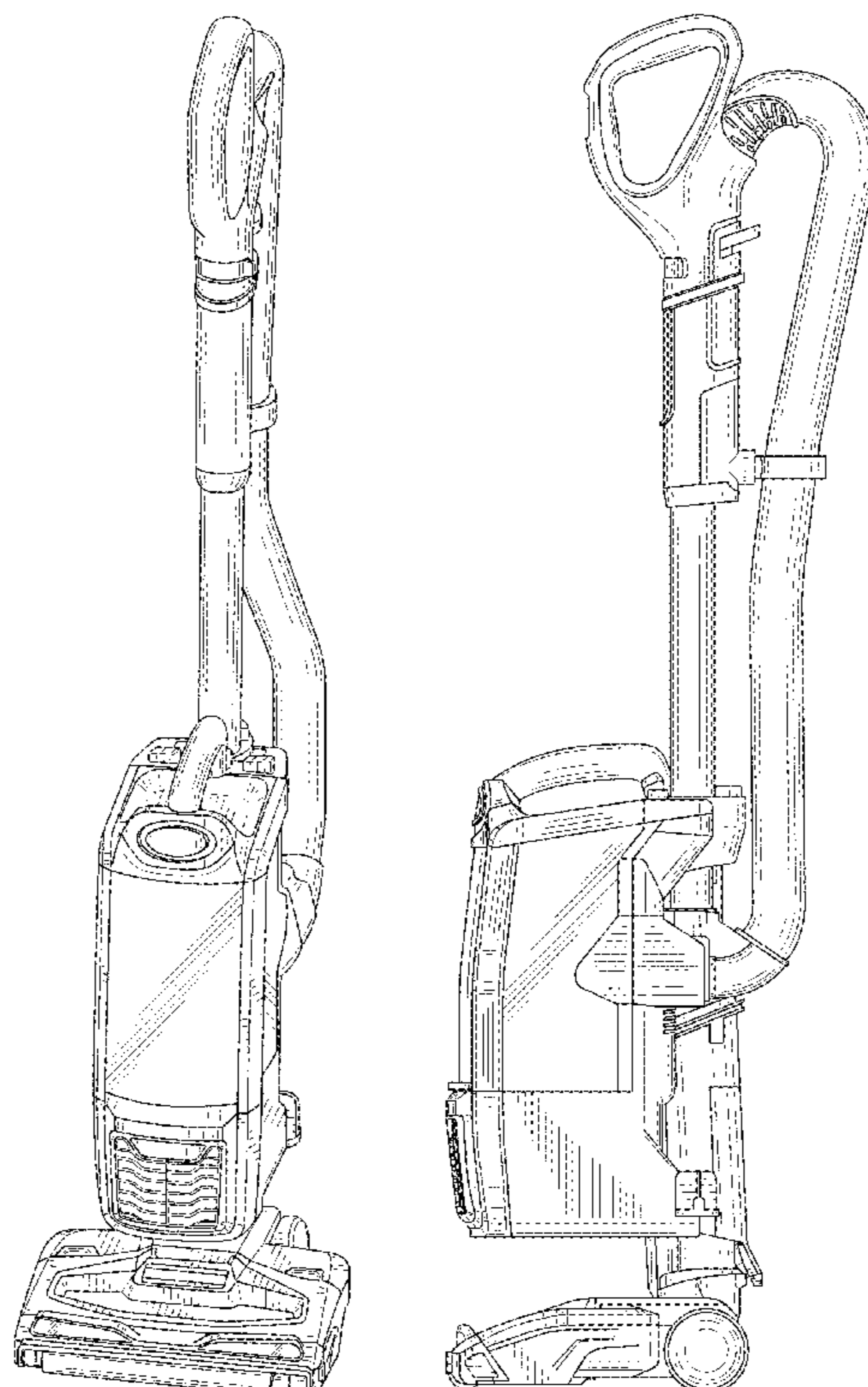
(57) **CLAIM**

The ornamental design of a vacuum cleaner, as shown and described.

DESCRIPTION

FIG. 1 is a top perspective view of a vacuum cleaner showing our new design;
FIG. 2 is a front view thereof;
FIG. 3 is a rear view thereof;
FIG. 4 is a left side view thereof;
FIG. 5 is a right side view thereof;
FIG. 6 is an enlarged top view thereof; and,
FIG. 7 is an enlarged bottom view thereof.
The broken lines are included for the purpose of illustrating the unclaimed portions of the article and form no part of the claim.

1 Claim, 6 Drawing Sheets



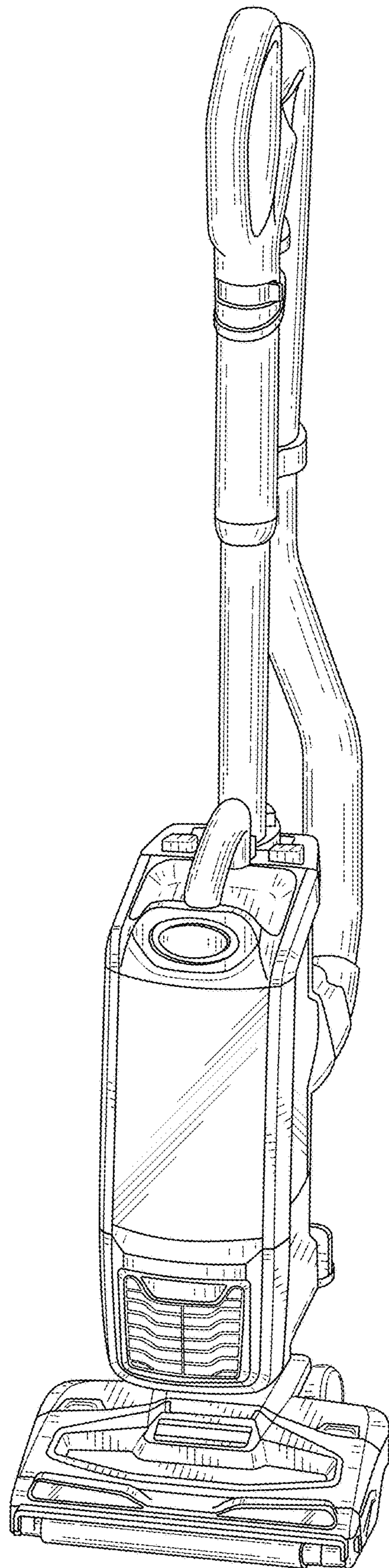


FIG. 1

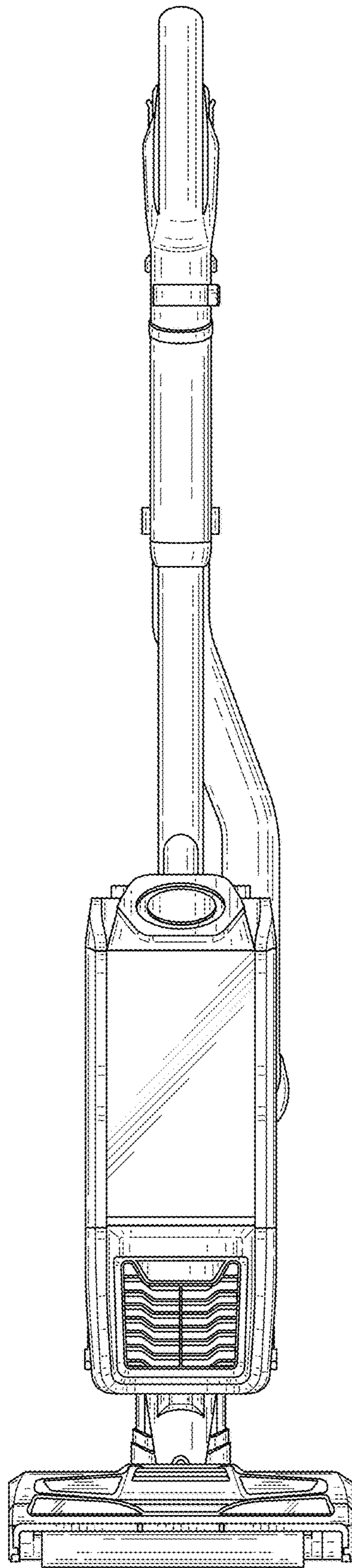


FIG. 2

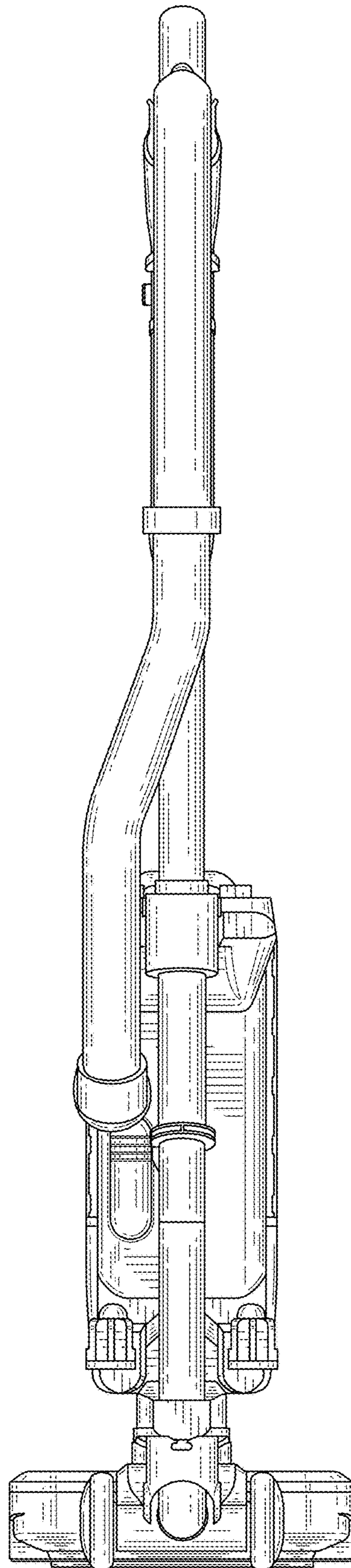


FIG. 3

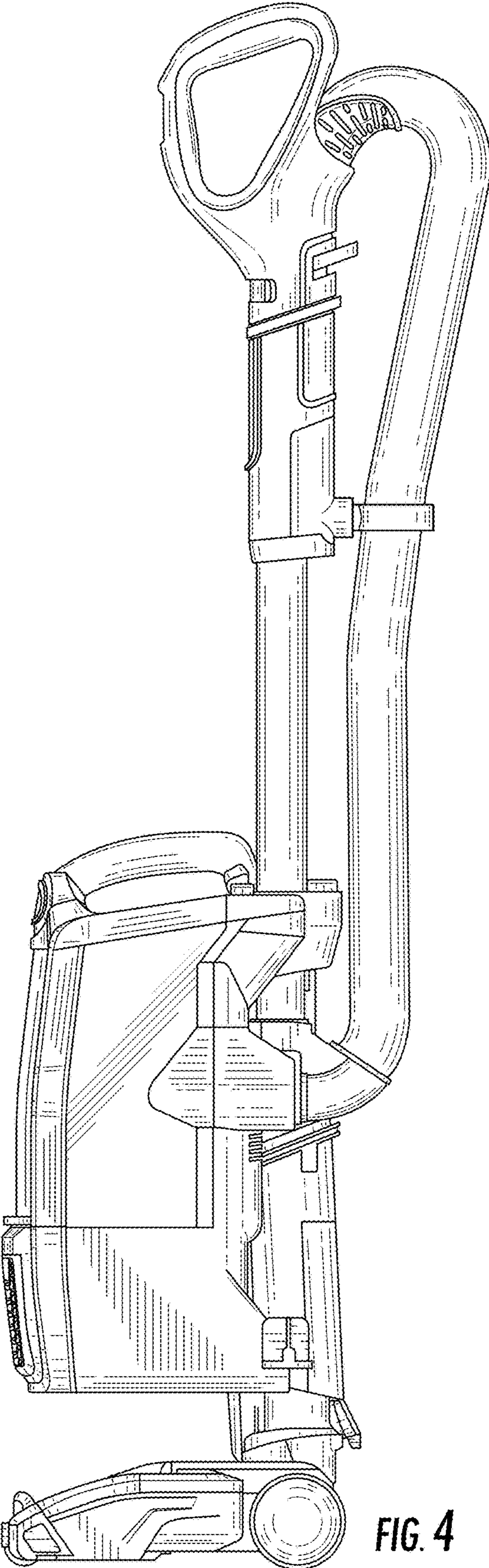


FIG. 4

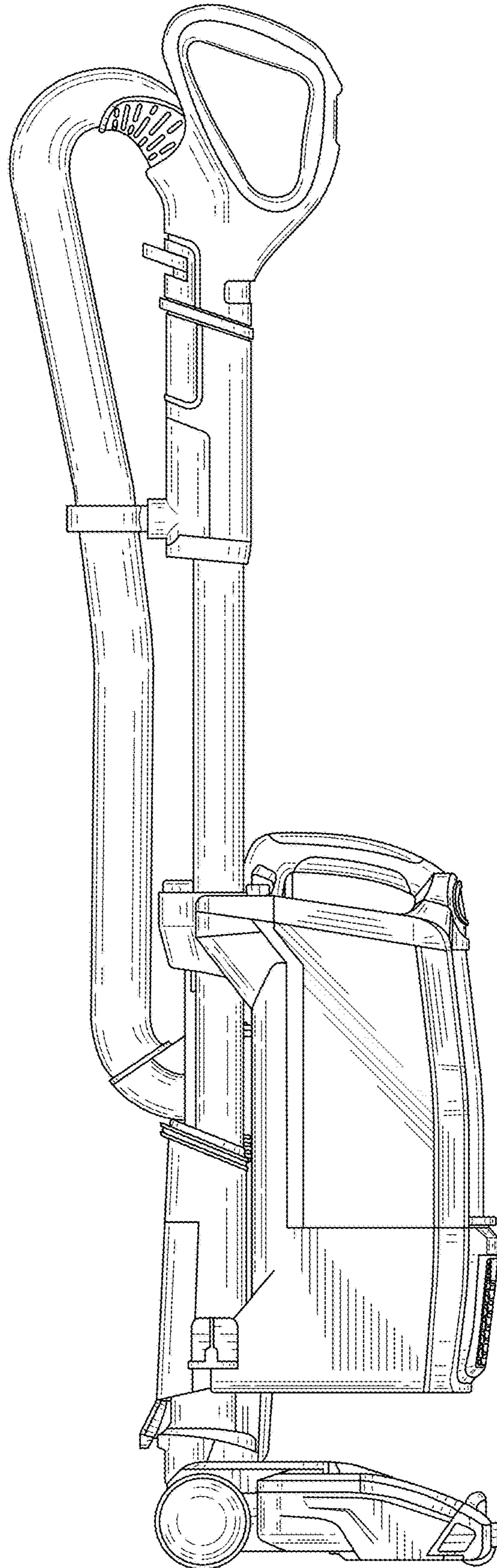


FIG. 5

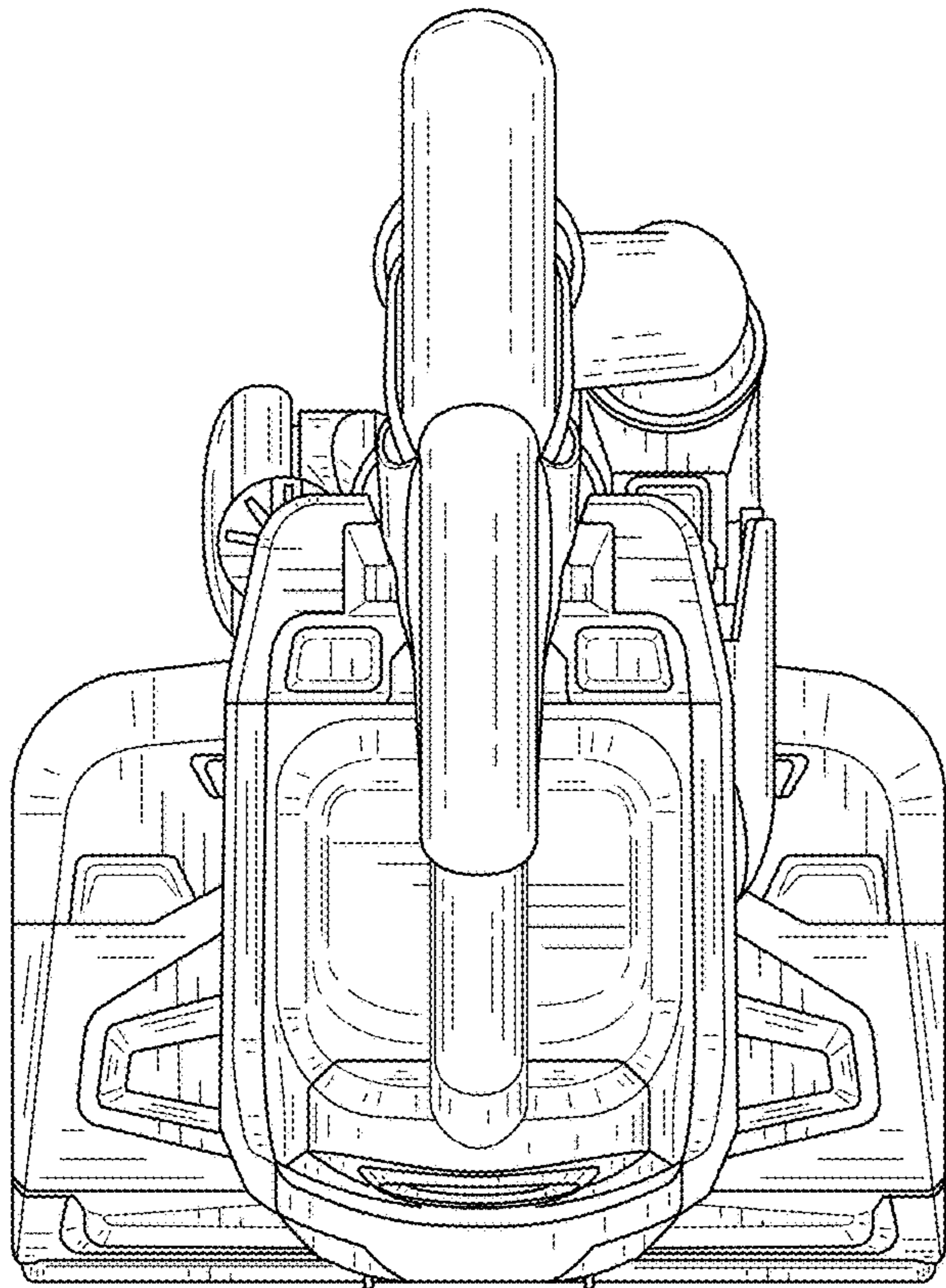


FIG. 6

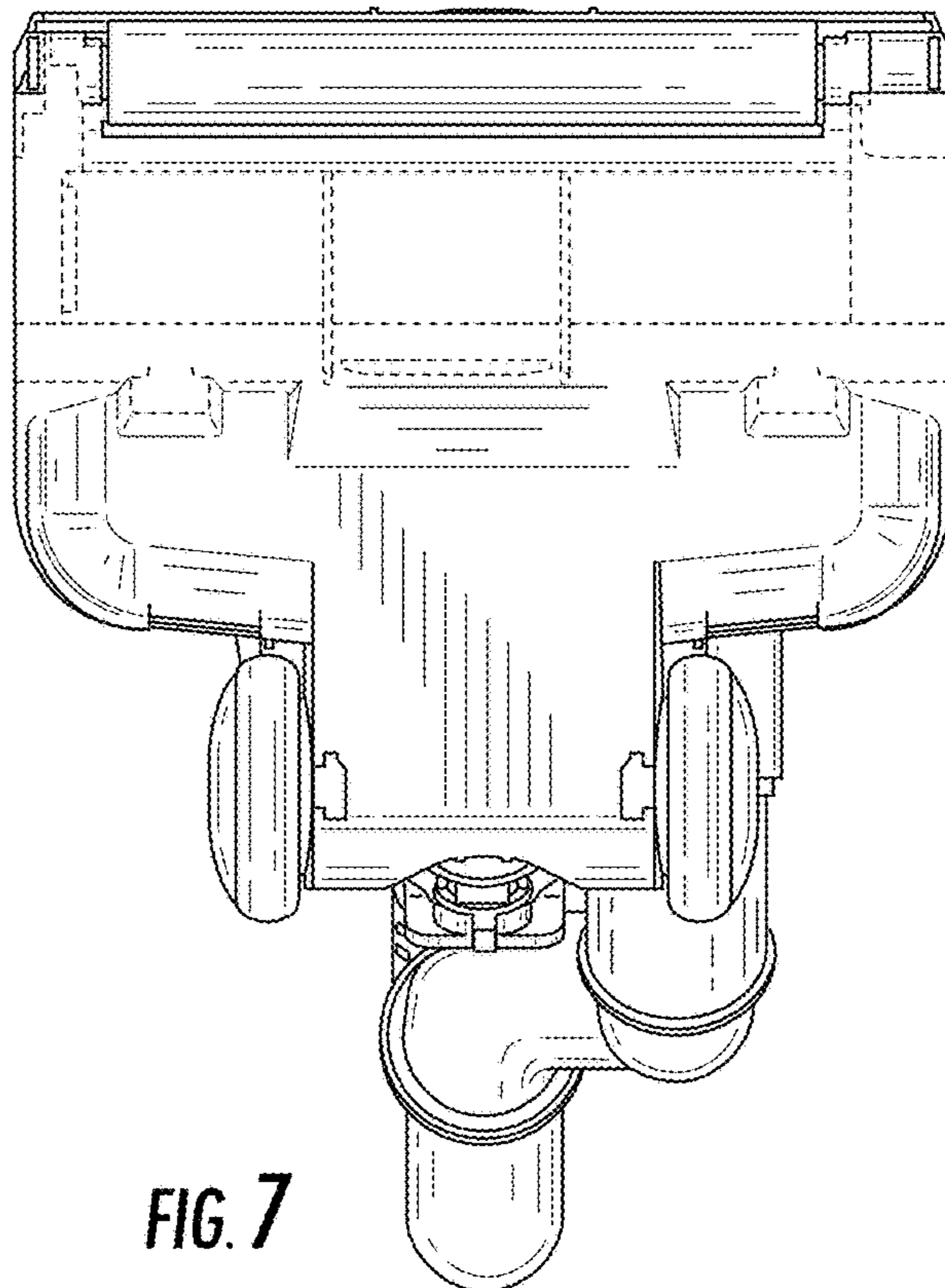


FIG. 7