



US00D804750S

(12) **United States Design Patent** (10) **Patent No.:** **US D804,750 S**
Janik et al. (45) **Date of Patent:** **** Dec. 5, 2017**

(54) **PRESSURE WASHER**
(71) Applicant: **Briggs & Stratton Corporation,**
Wauwatosa, WI (US)
(72) Inventors: **Paul Anthony Janik,** Saukville, WI
(US); **Bart Mayer,** Allenton, WI (US)
(73) Assignee: **Briggs & Stratton Corporation,**
Wauwatosa, WI (US)

D499,848 S 12/2004 Leasure
D520,948 S 5/2006 Xiao
D528,714 S 9/2006 Hong
7,159,272 B2 1/2007 Holsten et al.
7,232,018 B1 6/2007 Salander
D549,904 S 8/2007 Eccardt et al.
D551,814 S 9/2007 Renner
D565,269 S 3/2008 Tomasiak et al.
D570,777 S 6/2008 Glass et al.

(Continued)

(**) Term: **15 Years**

(21) Appl. No.: **29/554,753**

(22) Filed: **Feb. 15, 2016**

FOREIGN PATENT DOCUMENTS

GB 4 021 427 10/2011

OTHER PUBLICATIONS

U.S. Appl. No. 29/462,060, filed Jul. 30, 2013, Van Deursen.

Related U.S. Application Data

(62) Division of application No. 29/469,215, filed on Oct. 8, 2013, now Pat. No. Des. 749,805.

(51) **LOC (10) Cl.** **15-05**

(52) **U.S. Cl.**
USPC **D32/16**

(58) **Field of Classification Search**
USPC D32/1, 15-18; D23/225; D13/116, 112,
D13/114, 122, 184, 199; D6/329, 462;
D15/33, 141, 142, 144; D34/12, 17, 23,
D34/24, 26

CPC ... B05B 7/2437; B05B 9/0838; B05B 7/2424;
B05B 7/2427; B05B 7/2429; B05B
7/2432

See application file for complete search history.

Primary Examiner — Michael A. Pratt
Assistant Examiner — Michelle E Wilson
(74) *Attorney, Agent, or Firm* — Foley & Lardner LLP

(57) **CLAIM**

We claim the ornamental design for a pressure washer, as shown and described.

DESCRIPTION

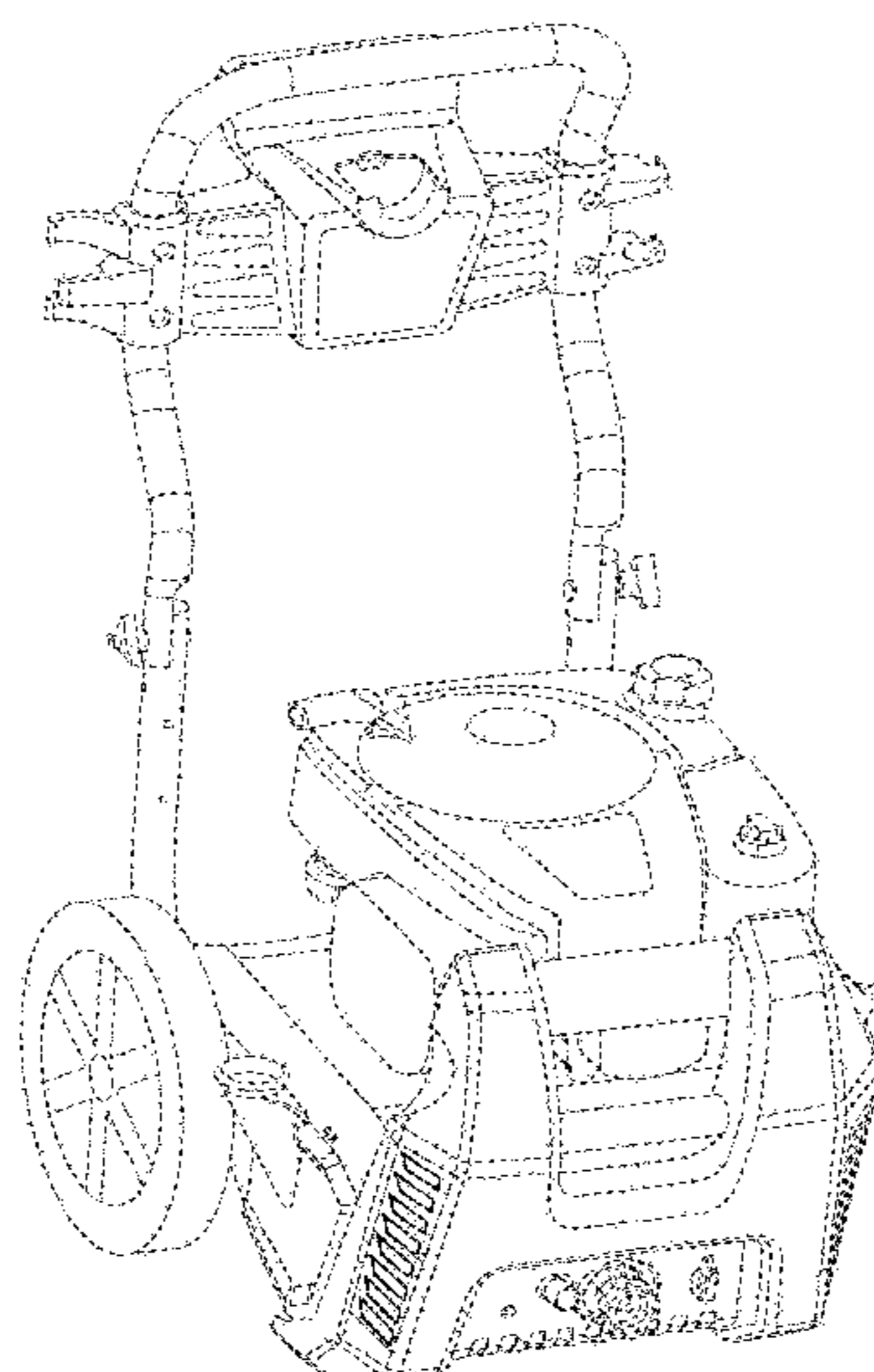
FIG. 1 is a front perspective view from above of the claimed design;
FIG. 2 is a front view of the claimed design of FIG. 1;
FIG. 3 is a rear view of the claimed design of FIG. 1;
FIG. 4 is a right side view of the claimed design of FIG. 1;
FIG. 5 is a left side view of the claimed design of FIG. 1;
FIG. 6 is a top view of the claimed design of FIG. 1; and,
FIG. 7 is a bottom view of the claimed design of FIG. 1.
Broken lines formed by equal length dashes show unclaimed portions of the design. Broken lines formed of unequal length dashes (i.e., dash-dot) show boundaries between claimed and unclaimed portions of the design.

(56) **References Cited**

U.S. PATENT DOCUMENTS

D280,318 S 8/1985 Barone
4,721,070 A 1/1988 Tanaka et al.
D338,292 S * 8/1993 Schmitz D32/21
5,977,667 A 11/1999 Hirose
D420,473 S 2/2000 Shero
D496,764 S 9/2004 Lopano

1 Claim, 7 Drawing Sheets



(56)

References Cited

U.S. PATENT DOCUMENTS

7,482,706 B2 1/2009 Uchimi et al.
 D591,014 S 4/2009 Li
 D596,367 S 7/2009 Katz
 D597,485 S 8/2009 Ma
 D597,945 S 8/2009 Takamura
 D600,205 S 9/2009 Imai
 D617,269 S 6/2010 Van Deursen
 D622,471 S 8/2010 Hernandez
 D629,748 S 12/2010 Van Deursen
 D630,851 S 1/2011 Landau et al.
 D633,263 S 2/2011 Fay
 7,883,096 B2 2/2011 Katz et al.
 D633,443 S 3/2011 Wang et al.
 D634,083 S 3/2011 Fay
 D634,414 S 3/2011 Wolfe et al.
 D644,993 S 9/2011 Van Deursen
 D646,853 S 10/2011 Alexander et al.
 D647,261 S 10/2011 Schultz et al.
 D648,493 S 11/2011 Alexander et al.
 D650,739 S 12/2011 Cai
 D660,525 S 5/2012 Alexander et al.
 D661,438 S 6/2012 Alexander et al.
 D662,881 S 7/2012 He et al.
 8,210,133 B2 7/2012 Hirose et al.
 D667,464 S 9/2012 Tiefenthaler
 D668,607 S 10/2012 Van Deursen
 D675,794 S * 2/2013 Chen D32/15
 D675,796 S 2/2013 Benacquisto et al.
 D688,628 S 8/2013 Van Deursen
 D688,841 S 8/2013 Van Deursen
 D703,137 S 4/2014 Van Deursen
 D704,137 S 5/2014 Shokrzadeh et al.
 D711,319 S 8/2014 Wilcox
 D711,603 S 8/2014 Alenxander et al.
 D728,872 S 5/2015 Alexander et al.
 D739,100 S * 9/2015 Tatic D32/15
 D742,080 S * 10/2015 Rigon D32/15

D749,805 S * 2/2016 Janik D32/16
 D778,011 S * 1/2017 Alexander D32/16
 D779,744 S * 2/2017 Weinberg D32/16
 D779,745 S * 2/2017 Weinberg D32/16
 D779,746 S * 2/2017 Weinberg D32/16
 2002/0122730 A1 * 9/2002 Dexter B08B 3/026
 417/299
 2005/0155972 A1 * 7/2005 Ray B05B 1/12
 220/694
 2005/0189437 A1 9/2005 Alexander et al.
 2006/0038034 A1 * 2/2006 Hillary B05B 9/0855
 239/146
 2006/0102745 A1 5/2006 Dexter
 2006/0196967 A1 * 9/2006 Monty B05B 1/00
 239/73
 2008/0115307 A1 5/2008 Phelan et al.
 2008/0245425 A1 10/2008 Alexander
 2008/0245899 A1 * 10/2008 Parris F04B 17/05
 239/526
 2009/0269218 A1 * 10/2009 Gardner B08B 3/026
 417/234
 2009/0322100 A1 12/2009 Hiranuma et al.
 2010/0206964 A1 * 8/2010 Li F04B 49/24
 239/398
 2011/0081261 A1 4/2011 Klika et al.
 2014/0026828 A1 1/2014 Kojima et al.
 2014/0037467 A1 2/2014 Raasch
 2014/0256245 A1 9/2014 Qian
 2014/0263754 A1 * 9/2014 Nushart B05B 1/1654
 239/442
 2015/0102121 A1 4/2015 Dey et al.
 2015/0174598 A1 * 6/2015 Eschrich B08B 3/028
 239/526
 2015/0306614 A1 * 10/2015 Pierce B05B 9/007
 137/12
 2016/0067726 A1 * 3/2016 Gilpatrick B05B 7/32
 239/526

* cited by examiner

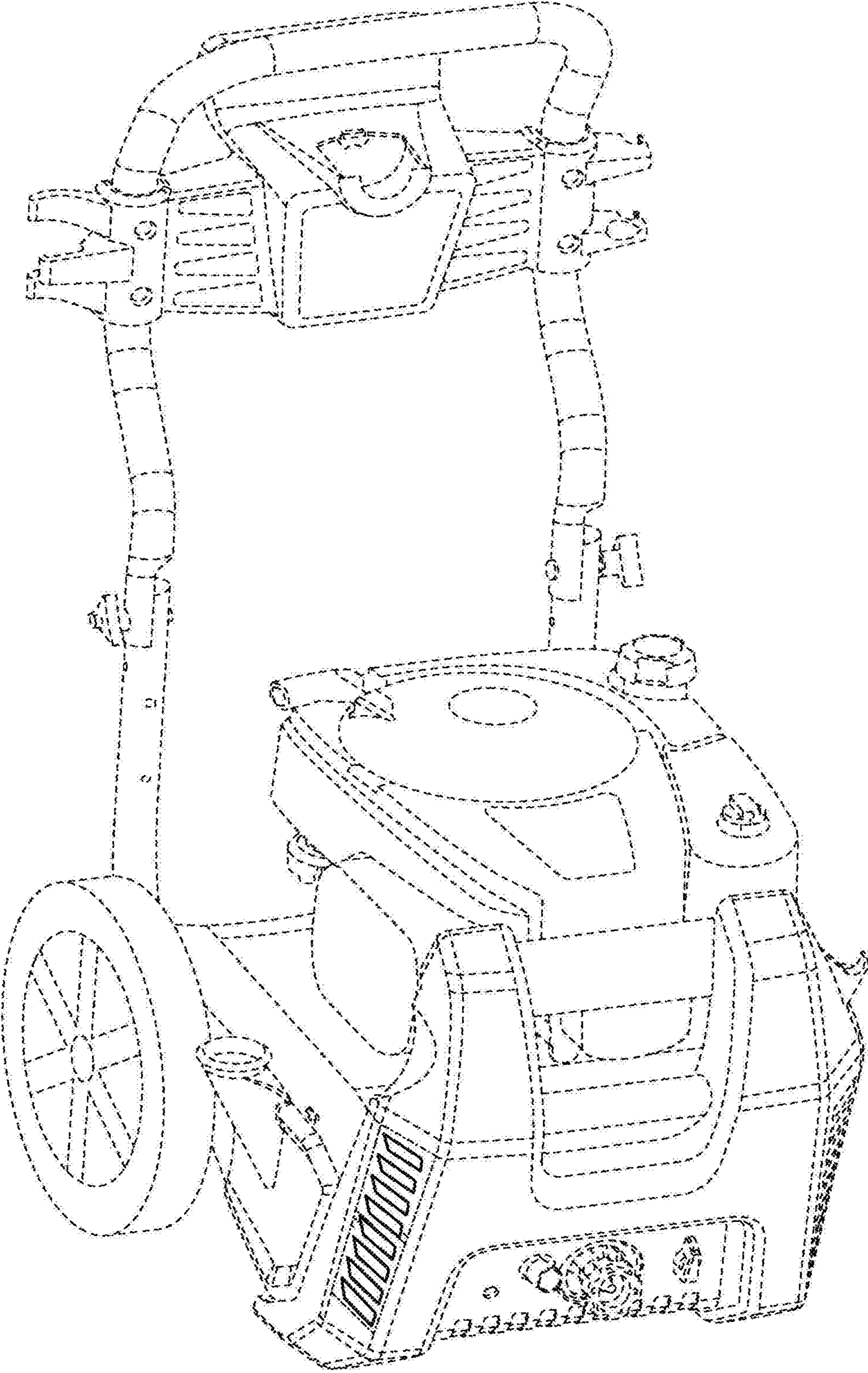


FIG. 1

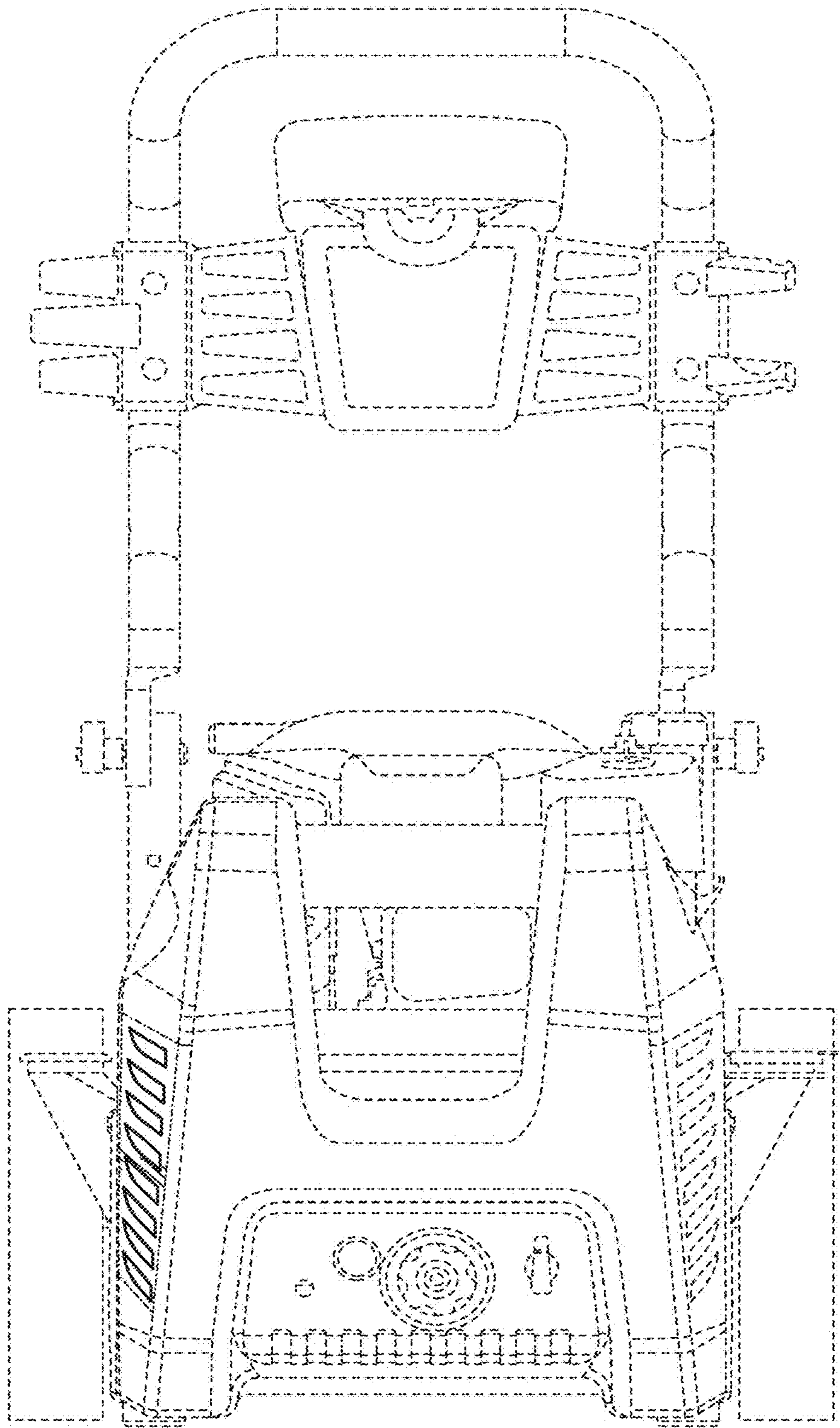


FIG. 2

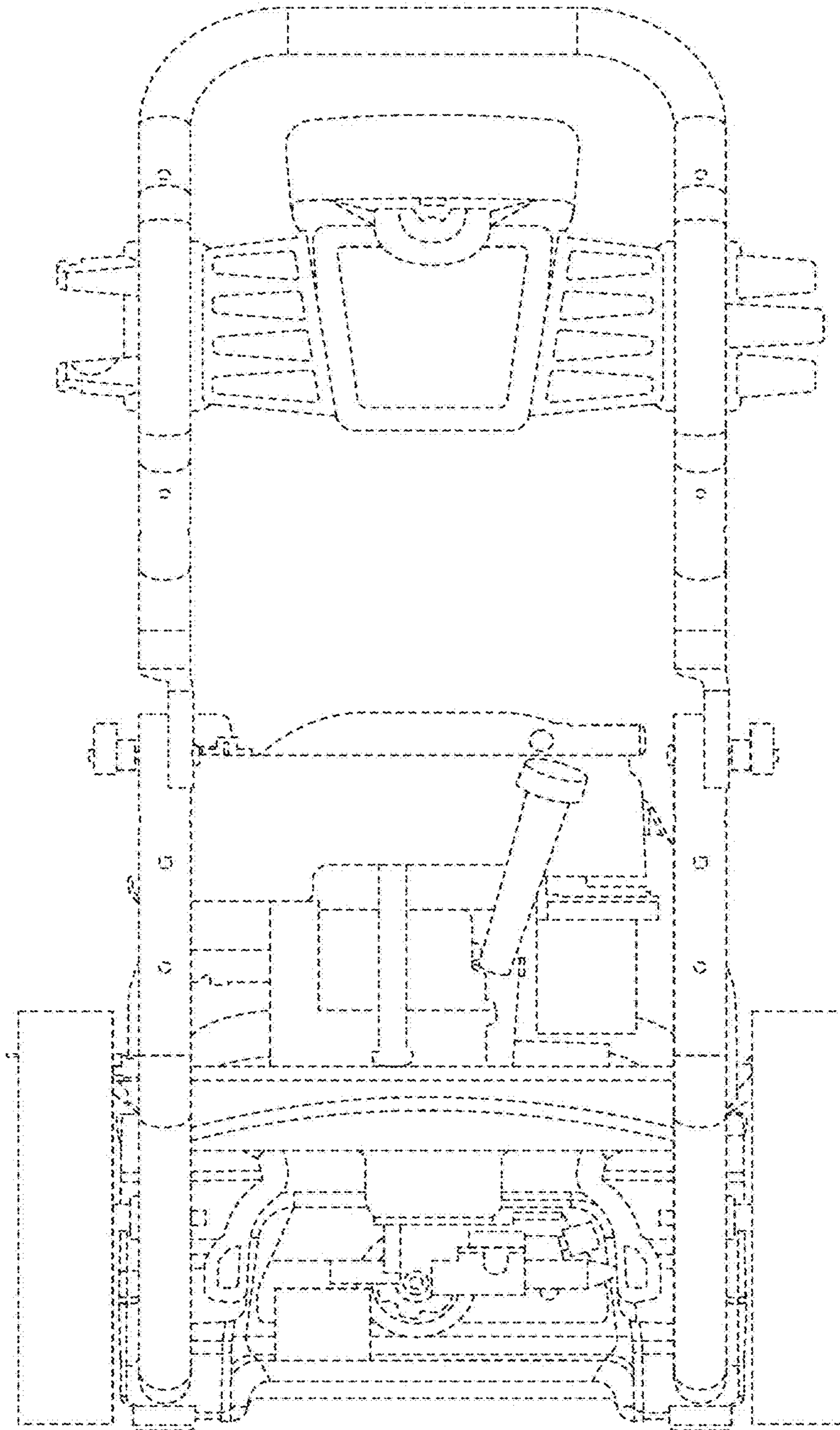


FIG. 3

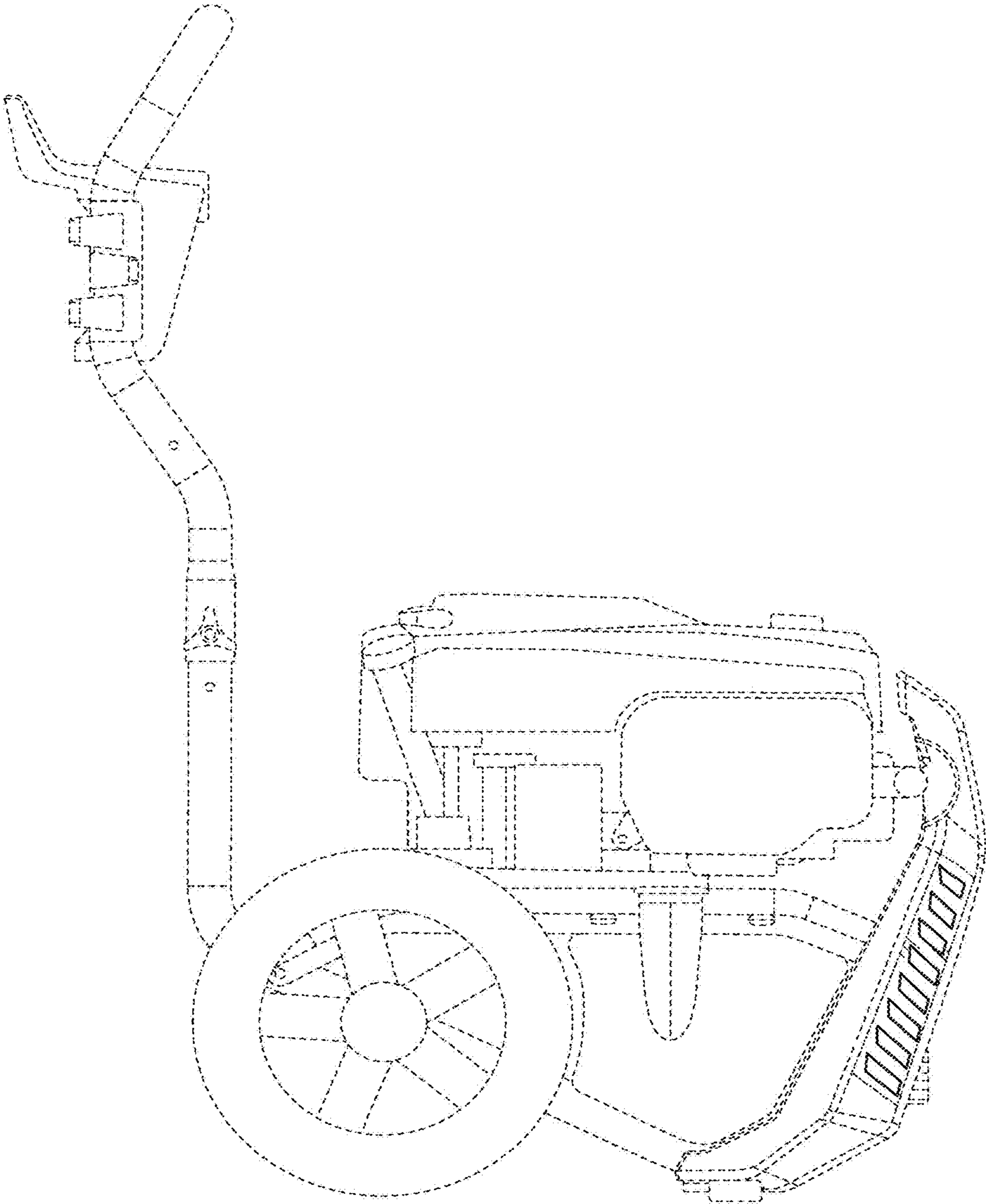


FIG. 4

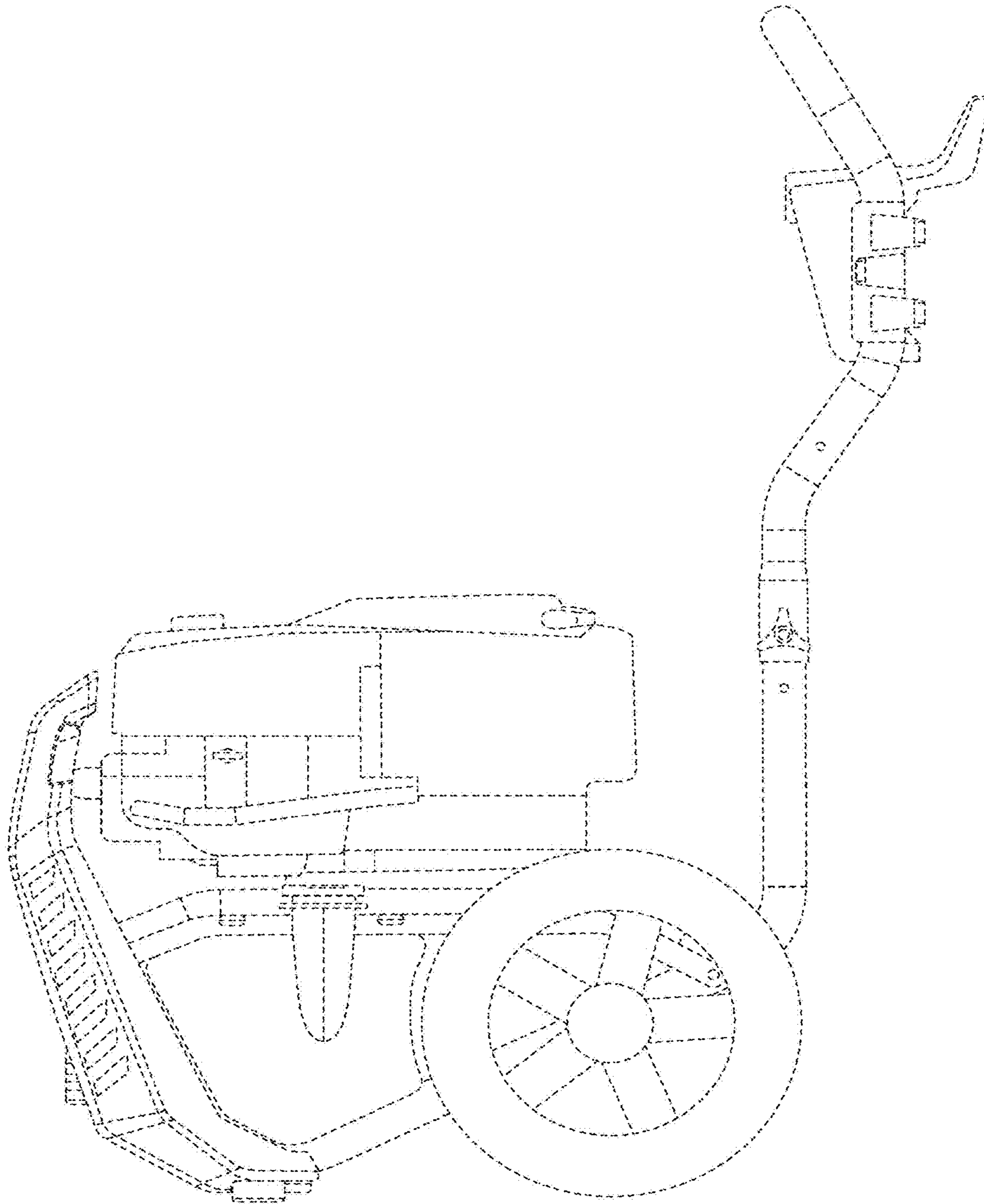


FIG. 5

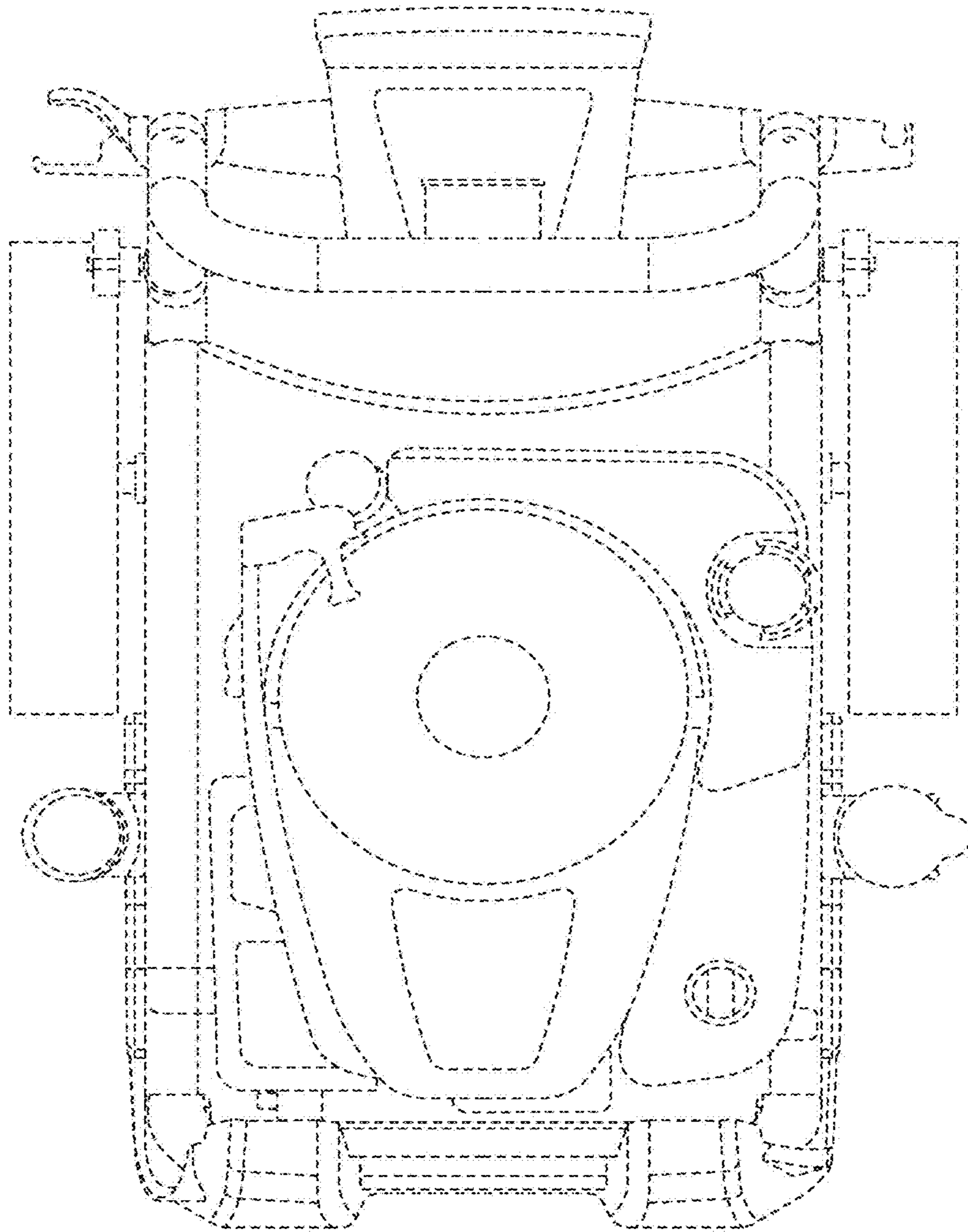


FIG. 6

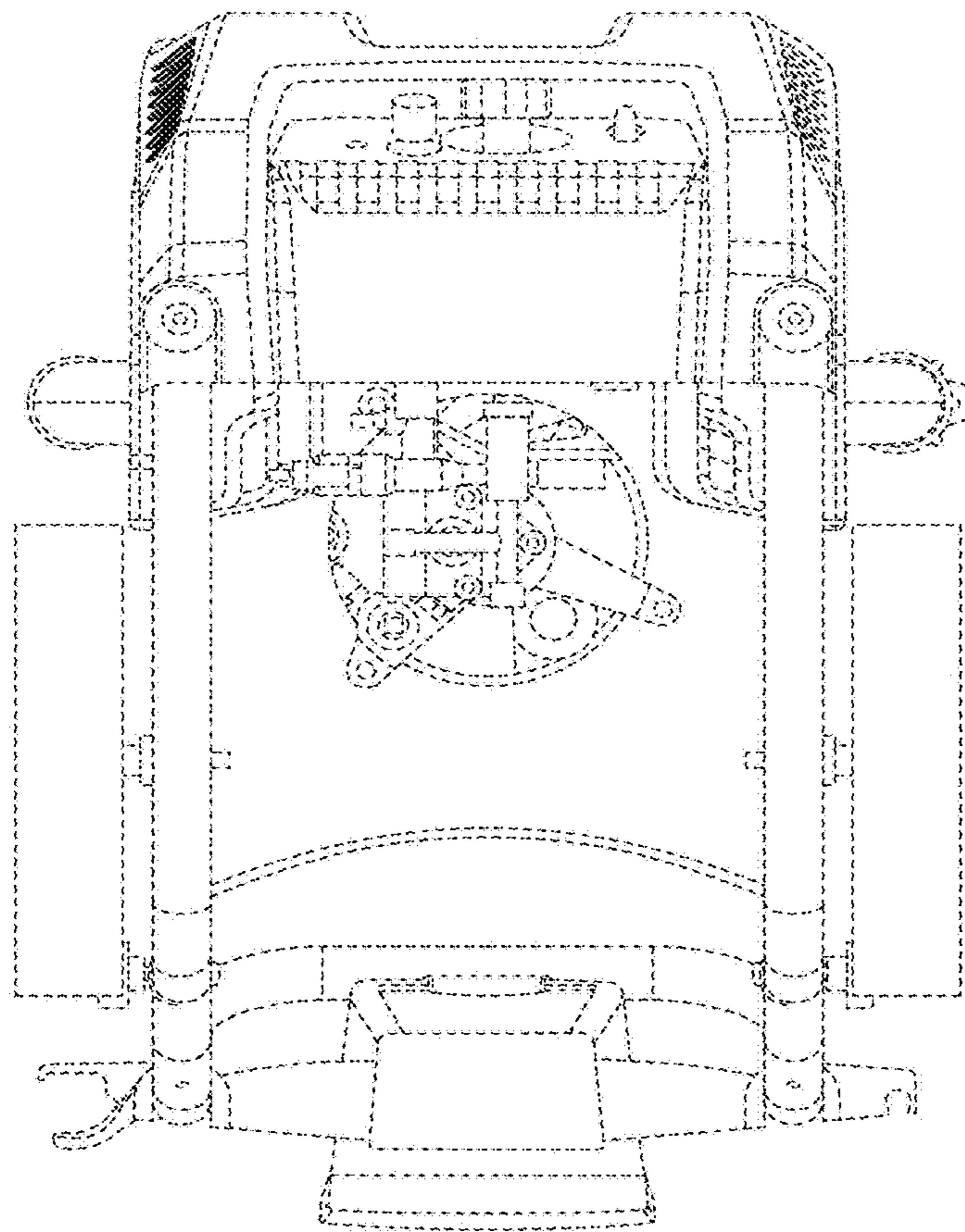


FIG. 7