



US00D804748S

(12) **United States Design Patent** (10) **Patent No.:** **US D804,748 S**
Reches et al. (45) **Date of Patent:** **** Dec. 5, 2017**

(54) **WASH STATION**

(71) Applicant: **Formlabs, Inc.**, Somerville, MA (US)

(72) Inventors: **Yoav Reches**, Cambridge, MA (US);
Jason Livingston, Somerville, MA (US);
Jared Laucks, Cambridge, MA (US);
Konstantinos Oikonomopoulos, Boston, MA (US)

(73) Assignee: **Formlabs, Inc.**, Somerville, MA (US)

(**) Term: **15 Years**

(21) Appl. No.: **29/537,786**

(22) Filed: **Aug. 28, 2015**

(51) **LOC (10) Cl.** **15-05**

(52) **U.S. Cl.**
USPC **D32/1**

(58) **Field of Classification Search**
USPC D32/1-3, 6, 8, 11-13, 25-26, 29;
D18/50, 53
CPC A47L 13/51; B08B 1/00; B08B 3/026;
B62B 1/10; B62B 2202/50; B62B 1/008;
B60S 3/047
See application file for complete search history.

7,635,002 B2 * 12/2009 Peterson C11D 11/0035
134/25.2
D735,267 S * 7/2015 Chung D18/50
D749,672 S * 2/2016 Chung D18/53
2002/0059945 A1 * 5/2002 Maiefski B01J 19/0046
134/25.1
2004/0195346 A1 * 10/2004 McIntyre A47L 13/51
239/1
2006/0061613 A1 * 3/2006 Fienup B29C 67/0059
347/19
2010/0078904 A1 * 4/2010 Collins B08B 3/006
280/47.11

* cited by examiner

Primary Examiner — Michael A. Pratt
Assistant Examiner — Michelle E Wilson
(74) *Attorney, Agent, or Firm* — Wolf, Greenfield & Sacks, P.C.

(57) **CLAIM**

The ornamental design for a wash station, substantially as shown.

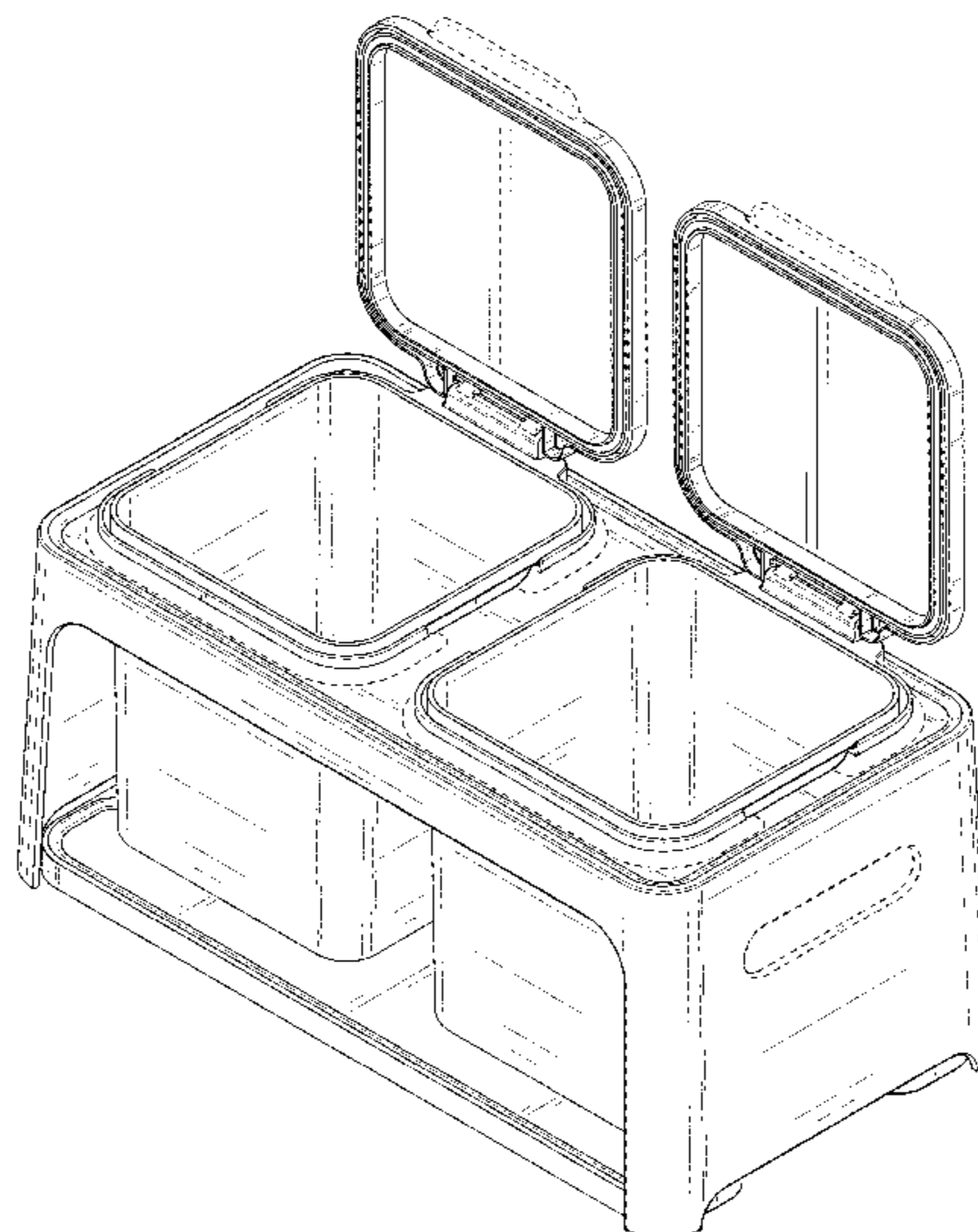
DESCRIPTION

FIG. 1 is a top, front, right perspective view of a wash station showing a first embodiment of our design;
FIG. 2 is a front view thereof;
FIG. 3 is a rear view thereof;
FIG. 4 is a left-side view thereof;
FIG. 5 is a right-side view thereof;
FIG. 6 is a top view thereof;
FIG. 7 is a bottom view thereof; and,
FIG. 8 is a top, front, right perspective view showing an alternate position of the first embodiment.
The broken lines illustrate portions of the wash station that form no part of the claimed design.

1 Claim, 8 Drawing Sheets

(56) **References Cited**
U.S. PATENT DOCUMENTS

D113,031 S * 1/1939 Baer 4/630
D117,442 S * 11/1939 Altorfer 68/232
D167,644 S * 9/1952 Mustee D32/11
D179,475 S * 1/1957 Emile et al. D32/11
D220,285 S * 3/1971 Cowen et al. D32/11
4,730,631 A * 3/1988 Schwartz G01N 35/1004
134/155
6,253,394 B1 * 7/2001 Goyette E03C 1/01
4/626
D466,258 S * 11/2002 Fuchs D32/11



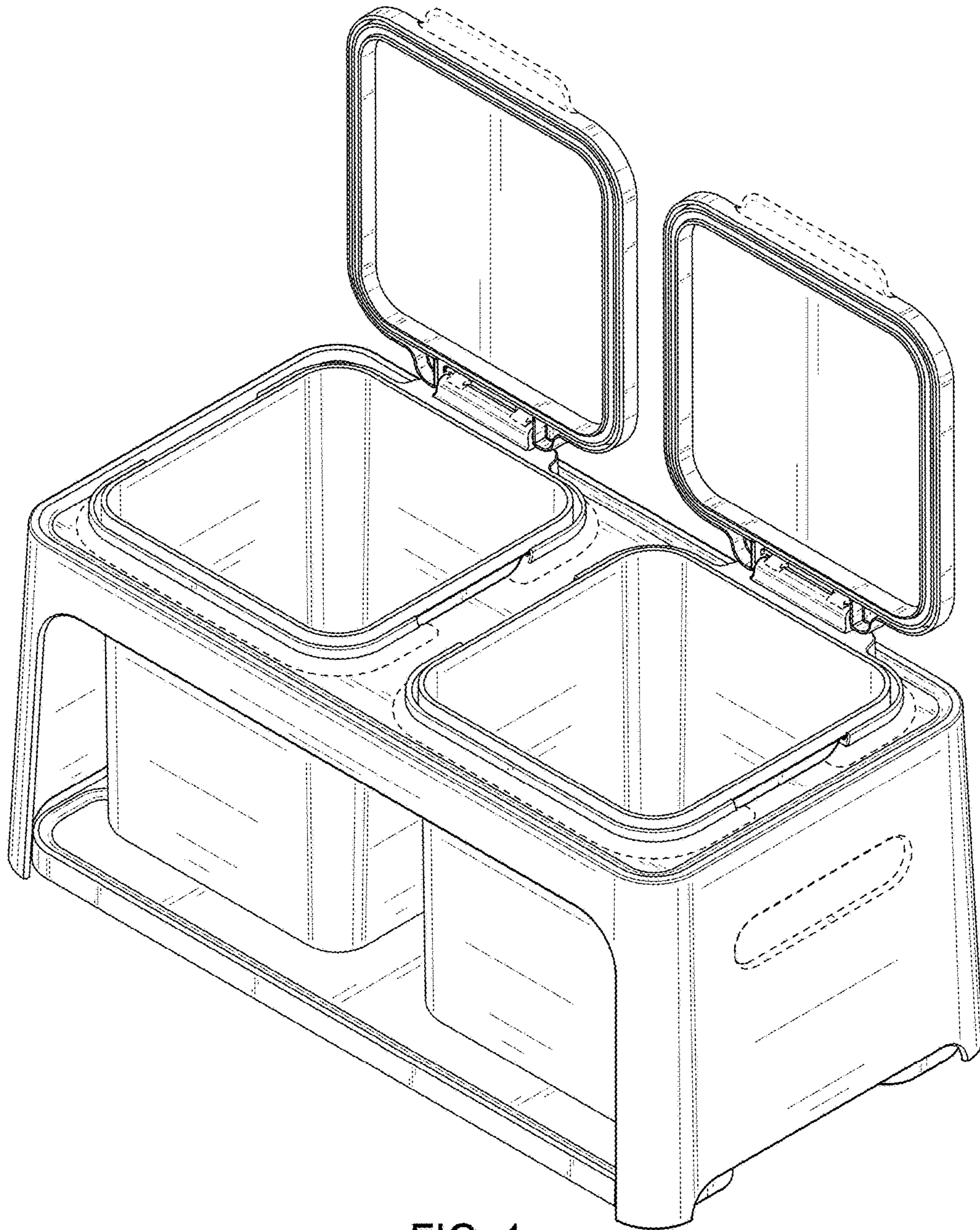


FIG. 1

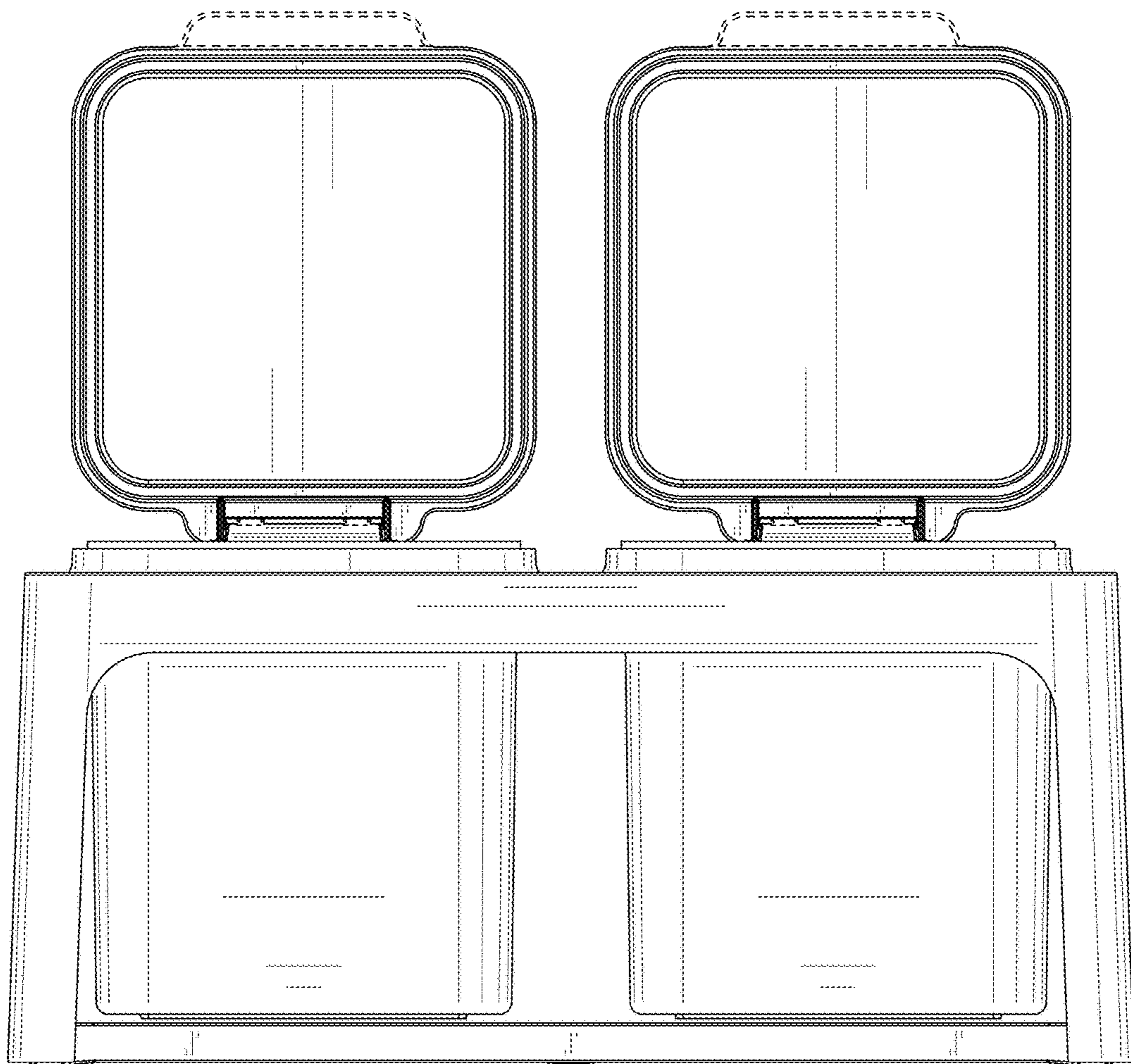


FIG. 2

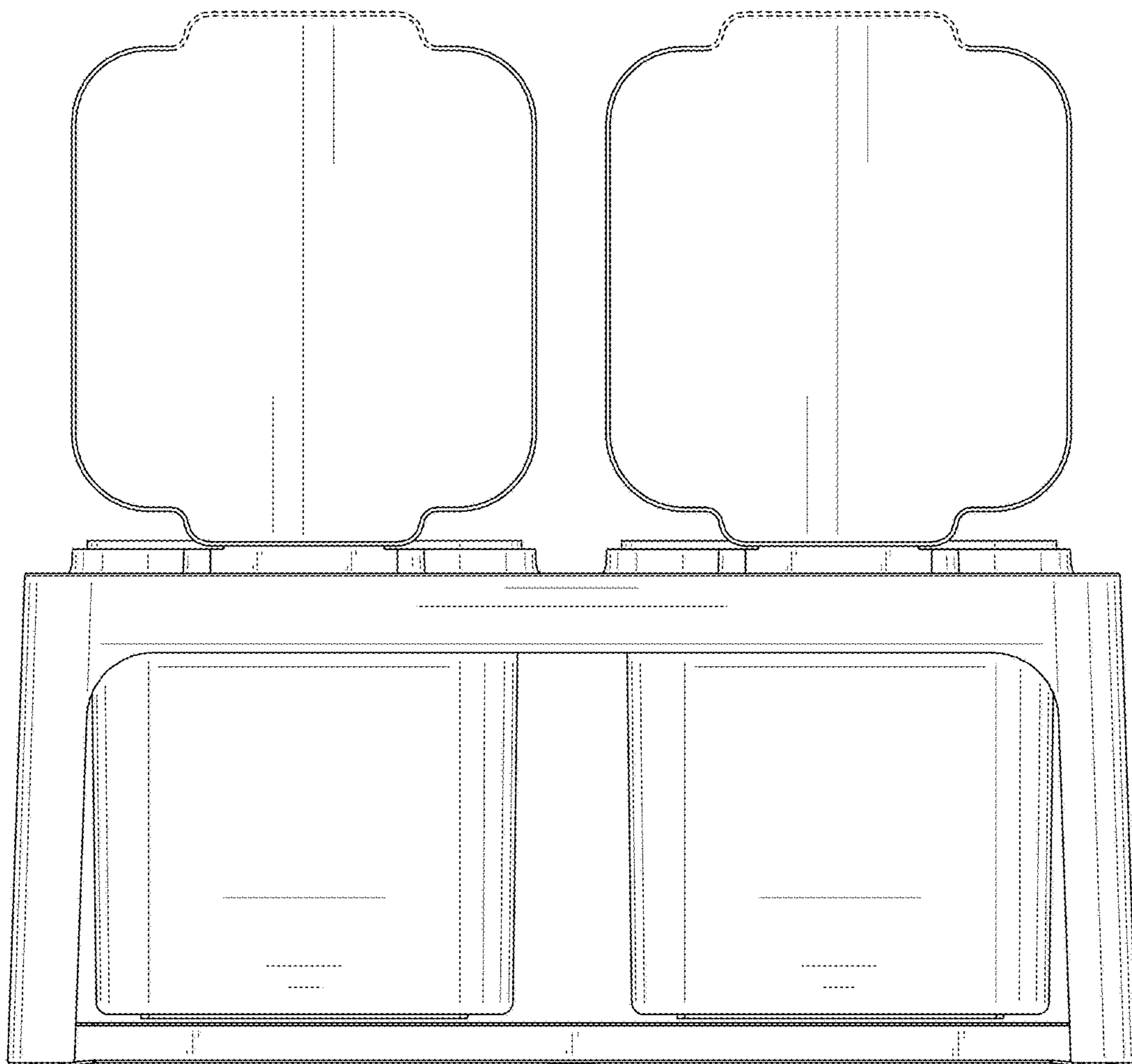


FIG. 3

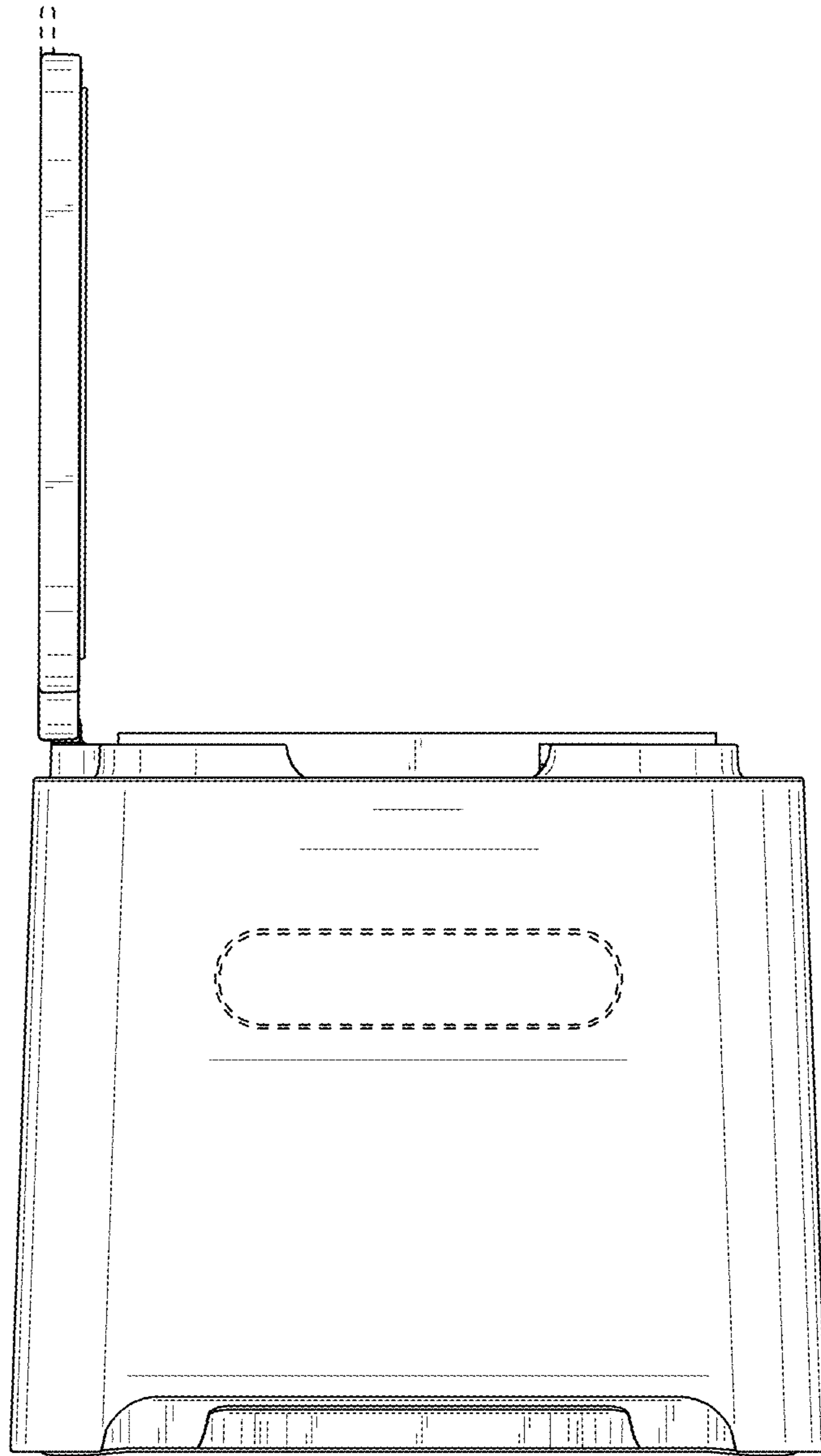


FIG. 4

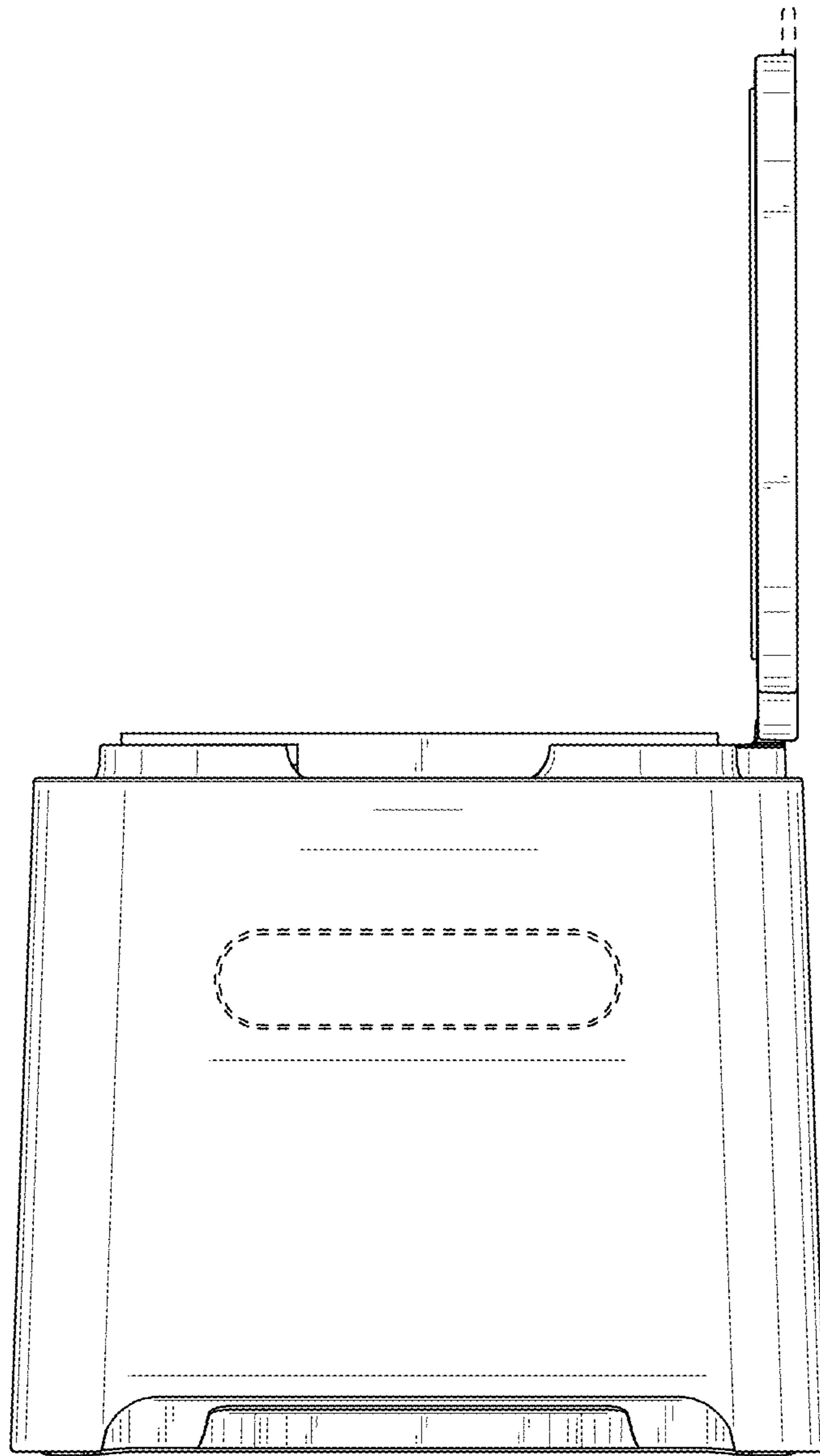


FIG. 5

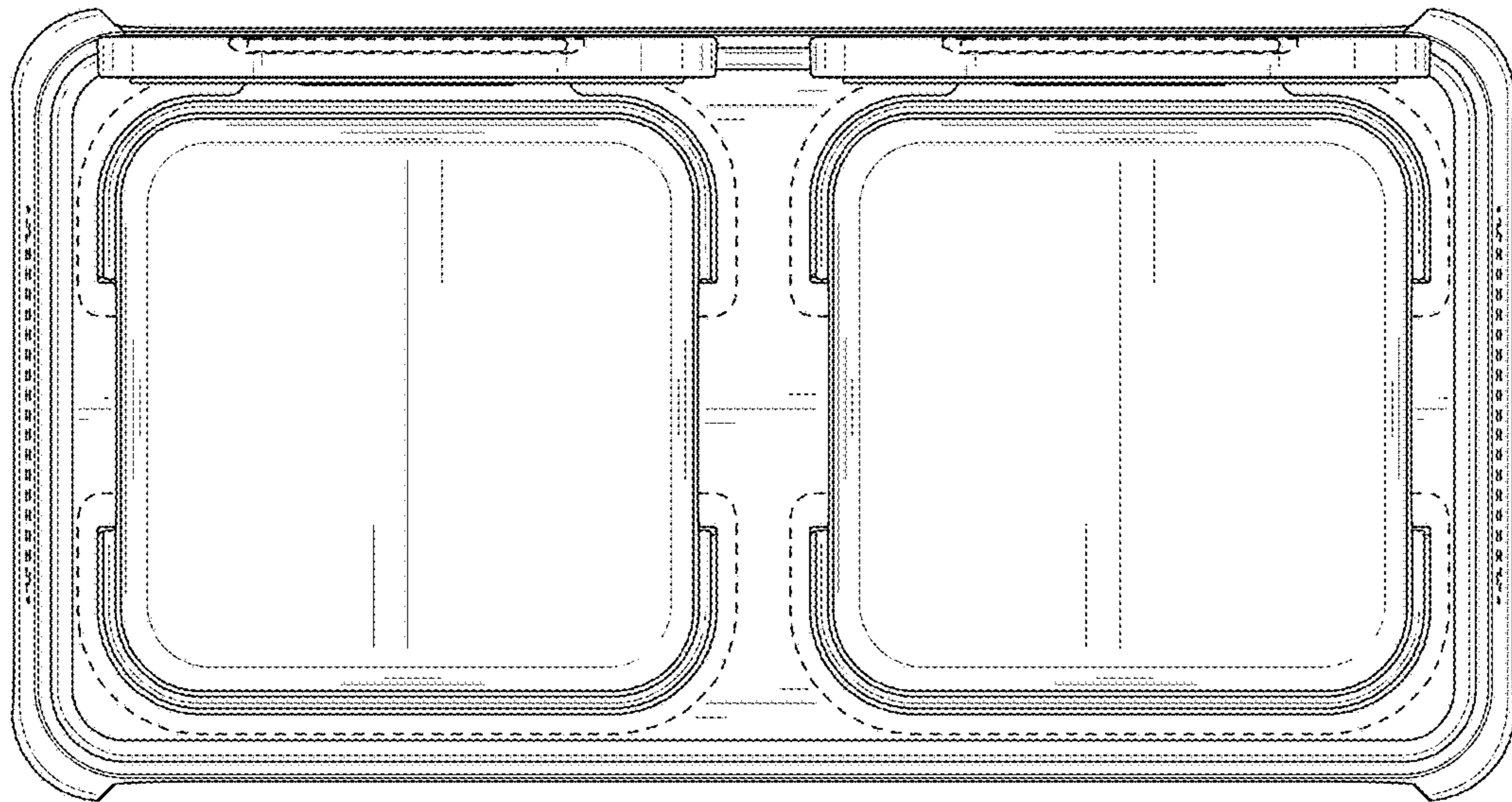


FIG. 6

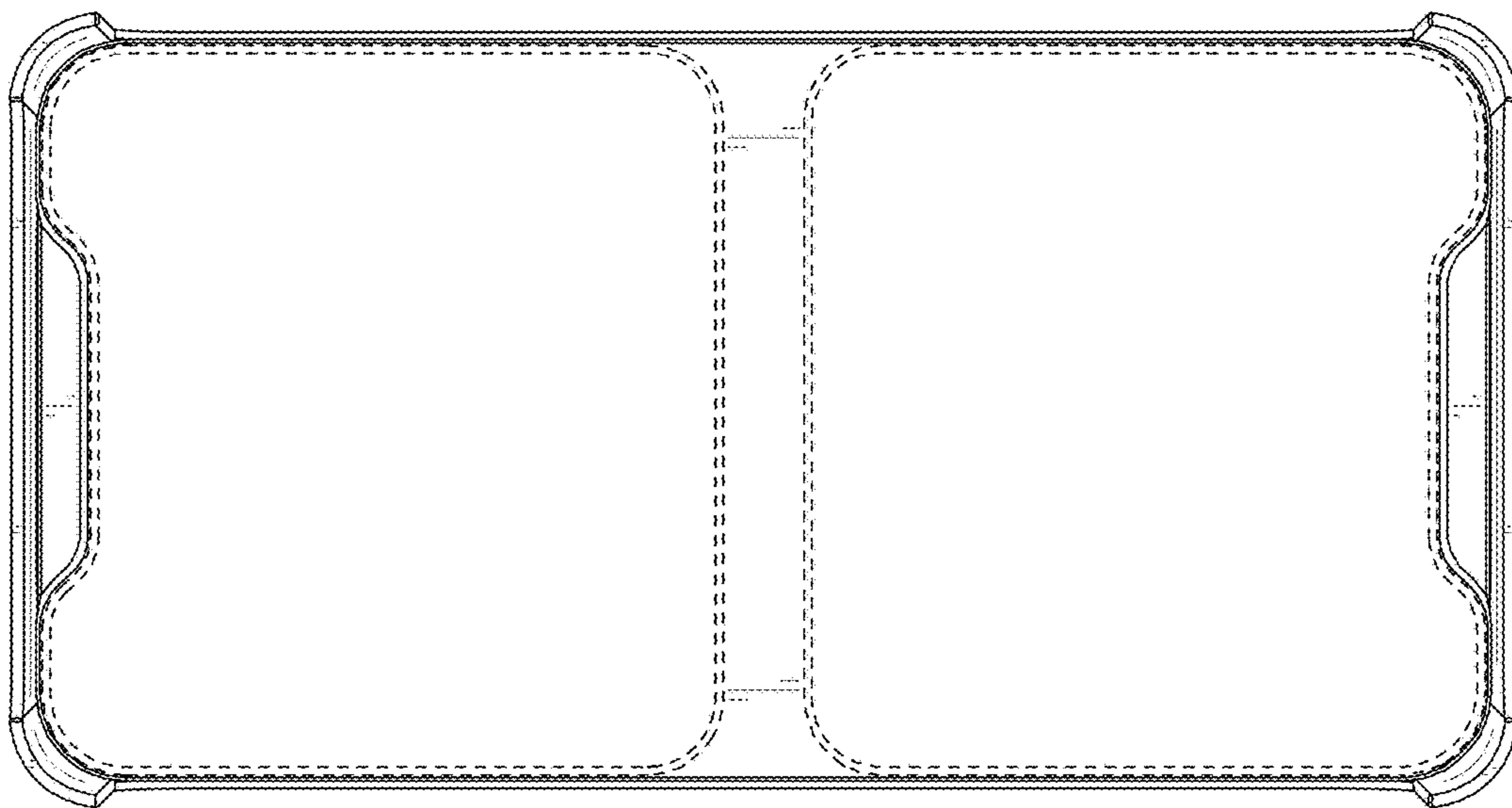


FIG. 7

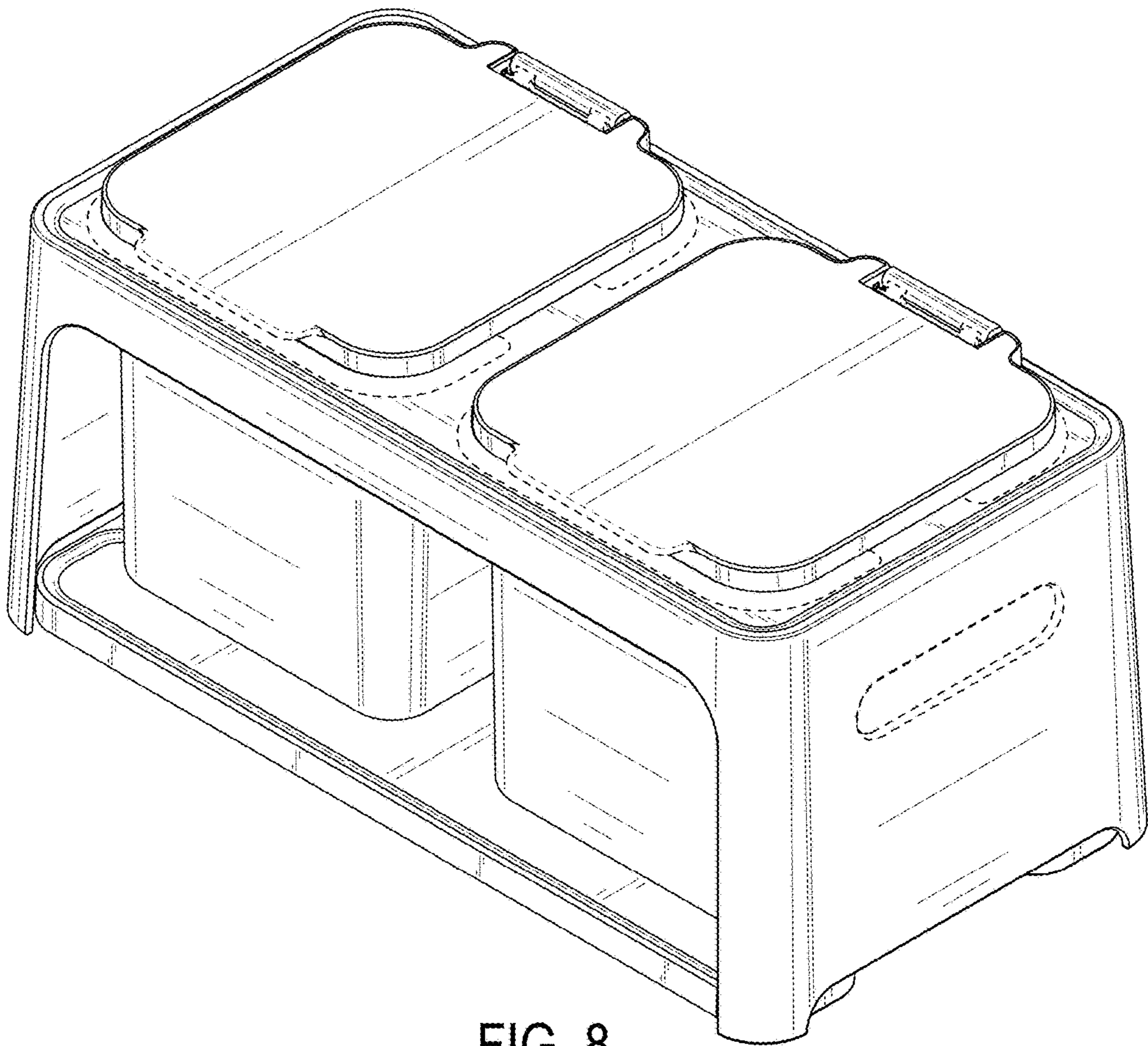


FIG. 8