

US00D804747S

(12) **United States Design Patent**
Wright

(10) **Patent No.:** **US D804,747 S**

(45) **Date of Patent:** **** Dec. 5, 2017**

- (54) **PET CHAIR SHOPPING CART INSERT**
 - (71) Applicant: **Emma Wright**, Oakland, CA (US)
 - (72) Inventor: **Emma Wright**, Oakland, CA (US)
 - (**) Term: **15 Years**
 - (21) Appl. No.: **29/556,711**
 - (22) Filed: **Mar. 2, 2016**
 - (51) **LOC (10) Cl.** **30-03**
 - (52) **U.S. Cl.**
USPC **D30/199; D34/27**
 - (58) **Field of Classification Search**
USPC D30/118, 119, 161, 199, 108, 109;
D34/12-14, 17-27; D6/333, 382-393,
D6/596, 601, 611; D7/395; D8/107;
D4/138; 280/33.991-33.998, 47.34,
280/79.11, 79.2, 47.35, 651, 659, 79.3;
297/256.17, 473, 256.13, 250.1, 410, 391,
297/183.1, 452.25, 452.24, 452.23,
297/452.34; 40/308, 395; 281/45; 5/94,
5/95; 119/28.5, 161, 163-170, 482, 484,
119/496-498, 771
CPC A01K 1/0281; A01K 1/035; A01K 1/0272;
A01K 1/0254; A01K 1/0245; A01K
1/0236; B62B 3/144; B62B 3/1444; B62B
3/1448; B62B 3/1464; B62B 3/1468;
B62B 3/1472; B62B 3/14
- See application file for complete search history.

- 4,597,359 A * 7/1986 Moorman A01K 1/0263
119/28.5
- D296,730 S * 7/1988 Fetterman D6/333
- 4,899,693 A * 2/1990 Arnold A01K 1/0353
119/28.5
- 5,133,294 A * 7/1992 Reid A01K 1/0272
119/771
- 5,282,439 A * 2/1994 Oaks A01K 1/0353
119/28.5
- D366,368 S * 1/1996 McCarthy 5/655
- 5,479,892 A * 1/1996 Edwards A01K 1/0272
119/771
- 5,497,729 A * 3/1996 Lord A01K 1/0218
119/513
- 5,551,373 A * 9/1996 O'Donnell A01K 1/0272
119/28.5
- D376,447 S * 12/1996 Stump D30/118
- 5,697,870 A * 12/1997 Osborn A63B 23/0458
482/51

(Continued)

FOREIGN PATENT DOCUMENTS

WO WO2004071241 8/2004
Primary Examiner — Susan Moon Lee

(57) **CLAIM**

The ornamental design for a pet chair shopping cart insert, as shown and described.

DESCRIPTION

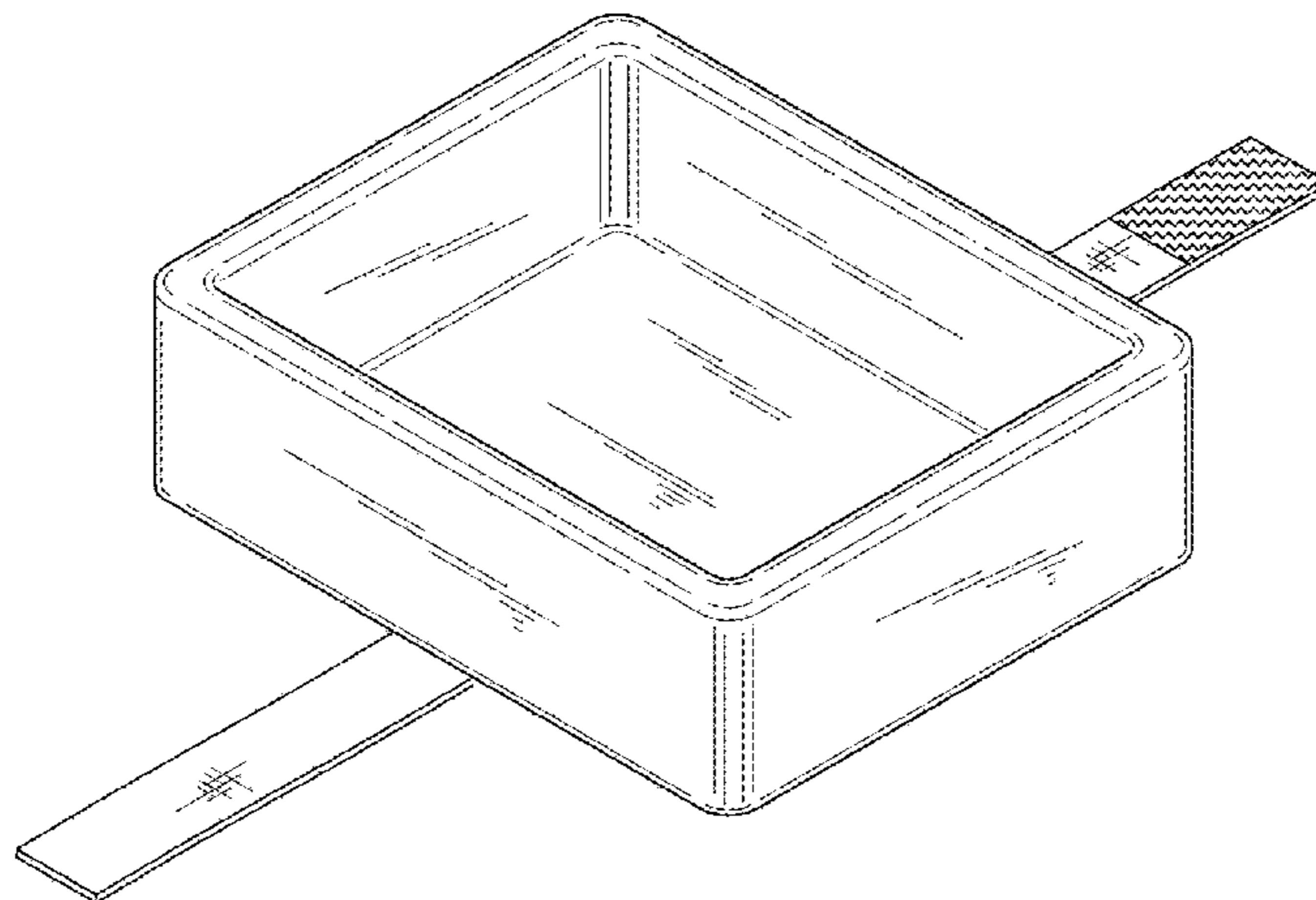
FIG. 1 is a front view of a pet chair shopping cart insert showing my new design; FIG. 2 is a rear view of the pet chair shopping cart insert; FIG. 3 is a right side view of the pet chair shopping cart insert, a left side view being a mirror image thereof; FIG. 4 is a top view of the pet chair shopping cart insert, a bottom view being a mirror image thereof; and, FIG. 5 is a front bottom side perspective view of the pet chair shopping cart insert.

1 Claim, 5 Drawing Sheets

(56) **References Cited**

U.S. PATENT DOCUMENTS

- 4,011,836 A * 3/1977 Temel A01K 1/011
119/163
- D250,009 S * 10/1978 Karotseris D11/143
- D276,713 S * 12/1984 Schacter D12/407
- 4,512,286 A * 4/1985 Rux A01K 1/0272
119/771
- 4,583,253 A * 4/1986 Hall B60N 2/2854
297/250.1



(56)

References Cited

U.S. PATENT DOCUMENTS

5,718,191	A *	2/1998	O'Donnell	A01K 1/0281 119/771	8,631,766	B2 *	1/2014	Frasier	B68C 1/20 119/496
5,762,261	A *	6/1998	Okabe	B65D 5/365 229/117.04	8,651,062	B2 *	2/2014	Arsenault	A01K 1/0245 119/453
5,785,003	A *	7/1998	Jacobson	A01K 1/0272 119/28.5	8,844,549	B2 *	9/2014	Mohamed	A47D 13/066 135/96
D469,929	S *	2/2003	Licciardello	D30/109	D739,089	S *	9/2015	Cohen	D30/118
D475,660	S *	6/2003	Licciardello	D12/129	9,204,618	B2 *	12/2015	Schouwink	A01K 1/0245
6,592,025	B2 *	7/2003	Bazany	B65D 5/0055 220/4.28	D760,400	S *	6/2016	Grune	D24/219
D502,039	S	2/2005	Cohen-Fyffe		2001/0042516	A1 *	11/2001	Best Wright	A01K 1/0272 119/28.5
7,213,282	B1 *	5/2007	Wojtowicz	A47D 15/008 5/425	2005/0127624	A1	6/2005	Cohen-Fyffe	
D592,361	S *	5/2009	Jakubowski	D30/118	2005/0284415	A1 *	12/2005	O'Donnell	A01K 1/0272 119/771
7,574,975	B2 *	8/2009	Kline	A01K 1/0272 119/28.5	2006/0201055	A1 *	9/2006	Rowe	A01K 5/0114 43/131
7,628,120	B2 *	12/2009	Beeler	A01K 1/0281 119/482	2006/0253979	A1 *	11/2006	Chen	A47D 5/00 5/93.1
7,717,062	B2 *	5/2010	Kline	A01K 1/0272 119/28.5	2007/0107662	A1	5/2007	Queen et al.	
7,886,694	B2 *	2/2011	Jakubowski	A01K 1/0272 119/28.5	2008/0011234	A1 *	1/2008	Wilkes	A01K 1/0272 119/28.5
8,079,327	B2 *	12/2011	White	A01K 1/0281 119/496	2008/0083374	A1 *	4/2008	Thomas	A01K 1/0272 119/28.5
8,622,027	B1 *	1/2014	Gadison	A01K 13/001 119/673	2010/0065172	A1	3/2010	Dus	
					2011/0239955	A1 *	10/2011	Miller	A01K 13/001 119/673
					2011/0285098	A1	11/2011	Fragale	
					2012/0210949	A1	8/2012	Polacek	
					2015/0313377	A1 *	11/2015	Davis	A01K 13/00 5/655

* cited by examiner

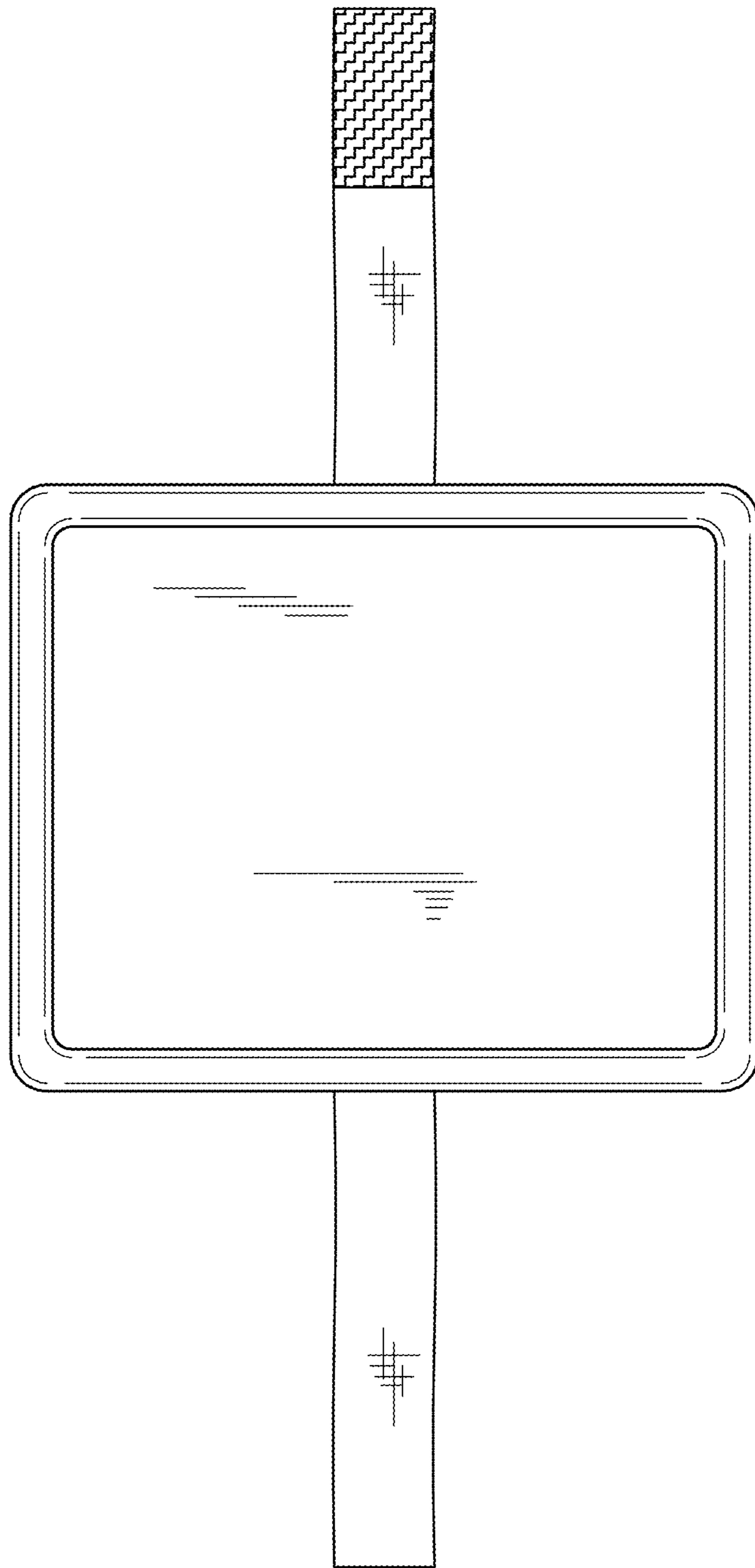


FIG. 1

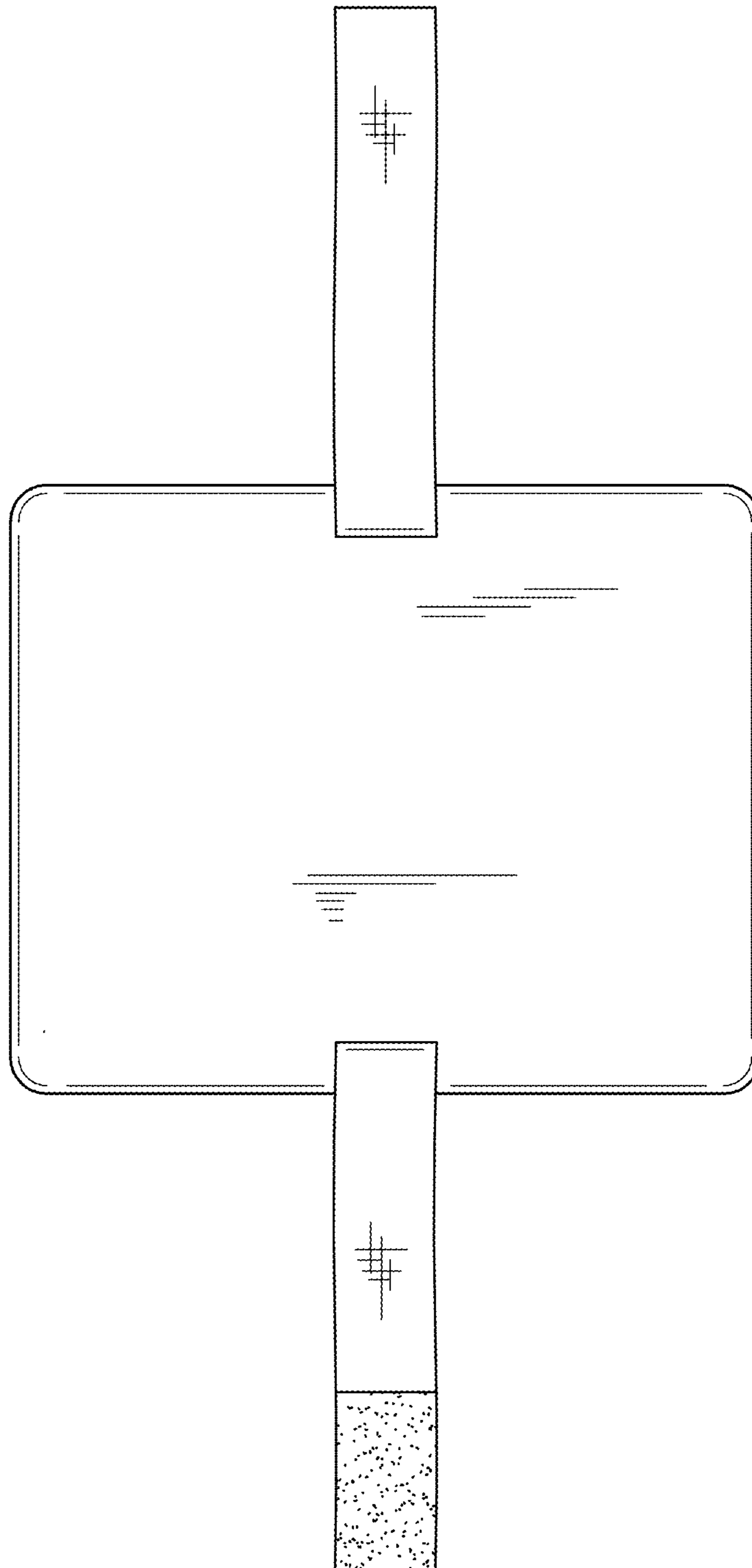


FIG. 2

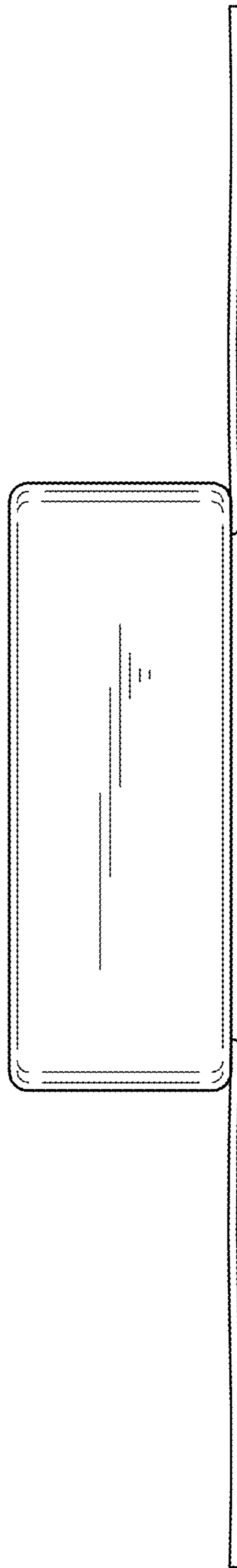


FIG. 3

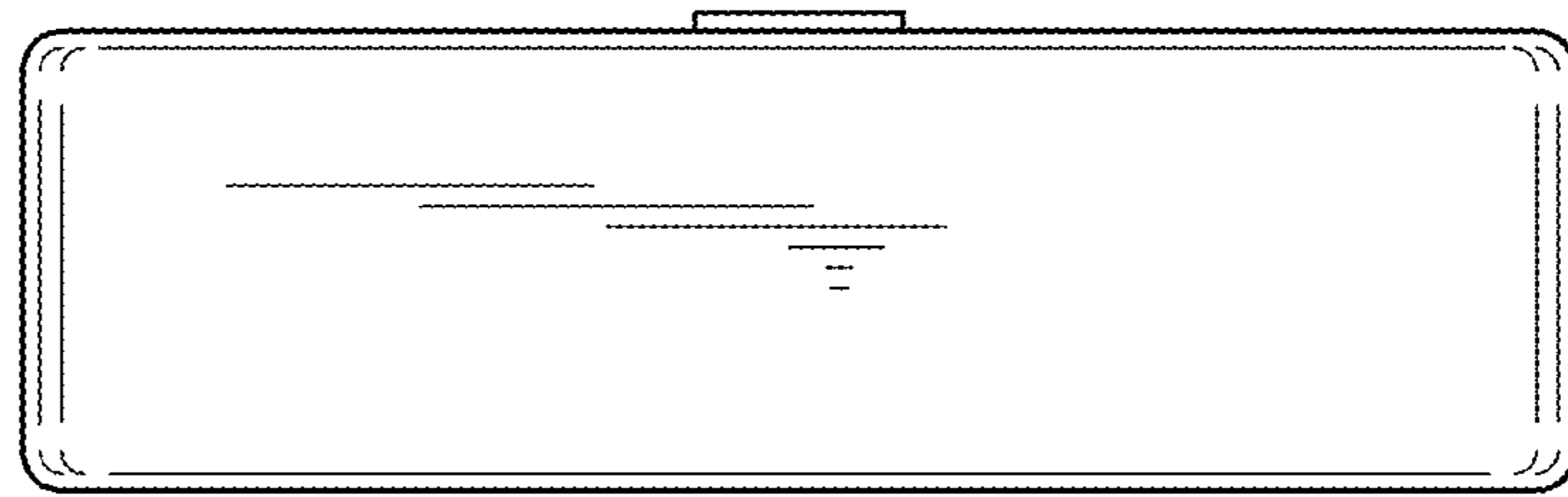


FIG. 4

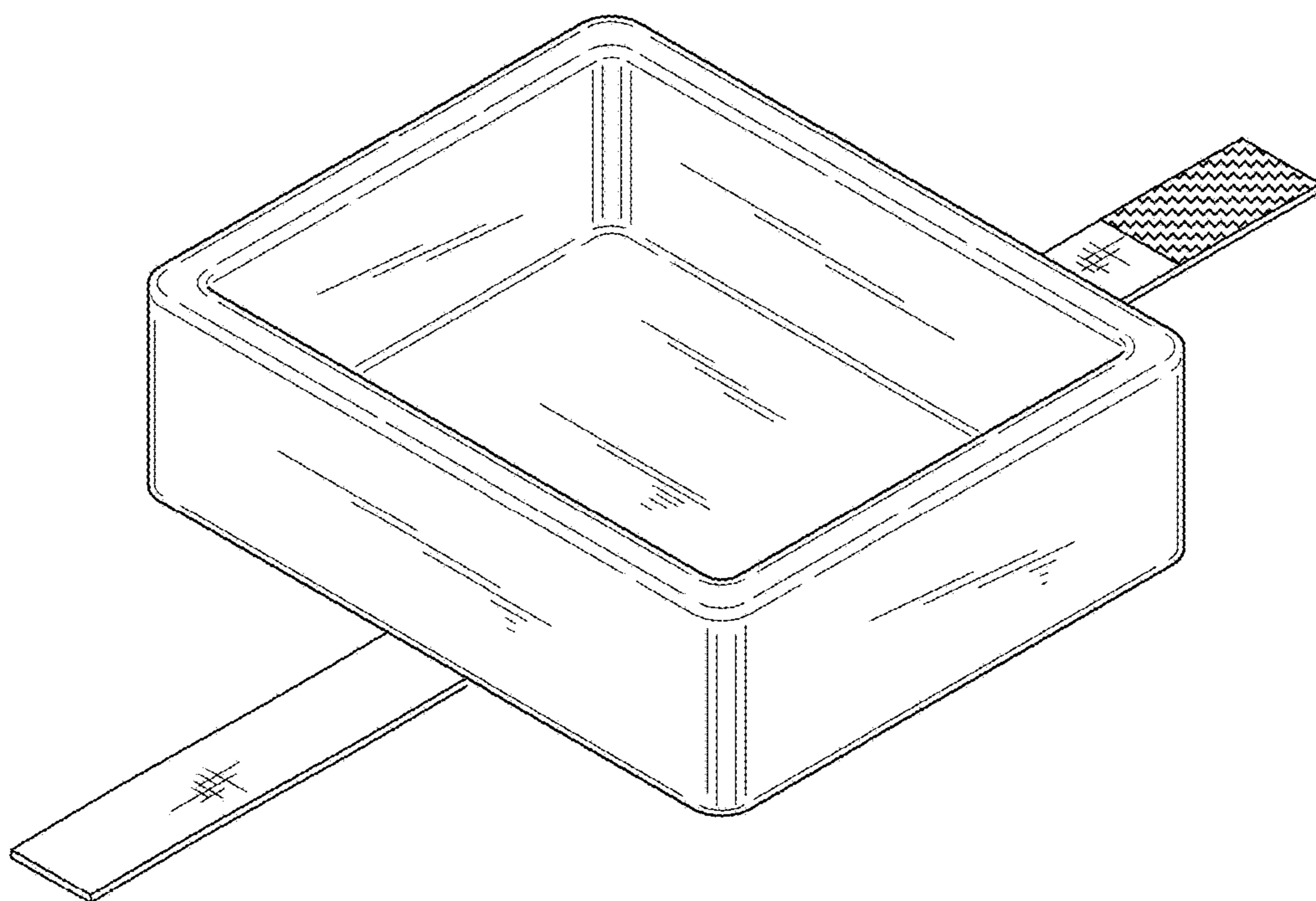


FIG. 5