



US00D804745S

(12) **United States Design Patent** (10) **Patent No.:** **US D804,745 S**
Cooper (45) **Date of Patent:** **** Dec. 5, 2017**

(54) **ANIMAL WASTE PURSE**
(71) Applicant: **Lauren Cooper**, Newark, NJ (US)
(72) Inventor: **Lauren Cooper**, Newark, NJ (US)
(**) Term: **15 Years**

(21) Appl. No.: **29/555,328**
(22) Filed: **Feb. 20, 2016**
(51) **LOC (10) Cl.** **30-99**
(52) **U.S. Cl.**
USPC **D30/161**

(58) **Field of Classification Search**
USPC D30/161, 162, 151, 144, 140, 137, 106,
D30/199; 119/867, 868, 161, 163, 164,
119/170, 717, 712, 174; 294/1.3-1.5,
294/214; 43/7-12; 15/257.1, 257.7;
206/496; 383/33, 34, 34.1, 6, 12, 13, 68;
30/99; D32/74, 49; D8/14, 106, 107,
D8/499; 280/47.26, 47.23, 47.34, 652,
280/47.19, 79.5, 79.7; 248/65, 205.2,
248/907; D34/12, 14, 15, 21, 23, 24-28;
D3/226, 230-233, 239-244, 245, 246
CPC A01K 23/00; A01K 23/005; A01K 1/01;
E01H 1/1206; E01H 1/1213; E01H 1/12;
E01H 2001/122; E01H 2001/1226; E01H
2001/1233; E01H 2001/128; E01H
2001/1286; E01H 2001/1293; E01H
2001/1273; E01H 2001/126; F16L 3/04;
B26B 1/00; B26B 1/002; B26B 1/008;
B26B 1/02; B26B 1/04; B26B 1/06;
B26B 1/14; B26B 1/142; B26B 1/16;
B26B 1/22; B26B 3/00; B26B 3/001;
B26B 3/04-3/12; B26B 2003/005; B26B
2003/007; B26B 2003/008; B26B 5/00;
B26B 5/005; B26B 7/00; B26B 7/0059;
B26B 2001/022; B26B 2005/10; B26B
9/00; B26B 11/00; B26B 11/008; B26B

11/02; B26B 11/20; B26B 2007/0004;
B26B 2007/0013; A61B 17/48; A61B
50/312

See application file for complete search history.

(56) **References Cited**

U.S. PATENT DOCUMENTS

809,559	A *	1/1906	Gault	B65D 7/20 119/453
1,395,976	A *	11/1921	Riley	A47G 19/26 312/137
D102,292	S *	12/1936	Sindler	206/733
2,079,458	A *	5/1937	Leichtfuss	B65D 7/26 119/497
3,156,213	A *	11/1964	Patten	A01K 1/0236 119/497
3,178,227	A *	4/1965	Snyder	A47C 5/005 229/113
D211,526	S *	6/1968	Ikelheimer	D30/109
D219,009	S *	10/1970	Vargas	493/136
D219,084	S *	10/1970	Moore	D3/276
4,102,547	A *	7/1978	Williams	
D254,631	S *	4/1980	Albright	119/497

(Continued)

Primary Examiner — Susan Moon Lee
(74) *Attorney, Agent, or Firm* — RG Patent Consulting,
LLC; Rachel Gilboy

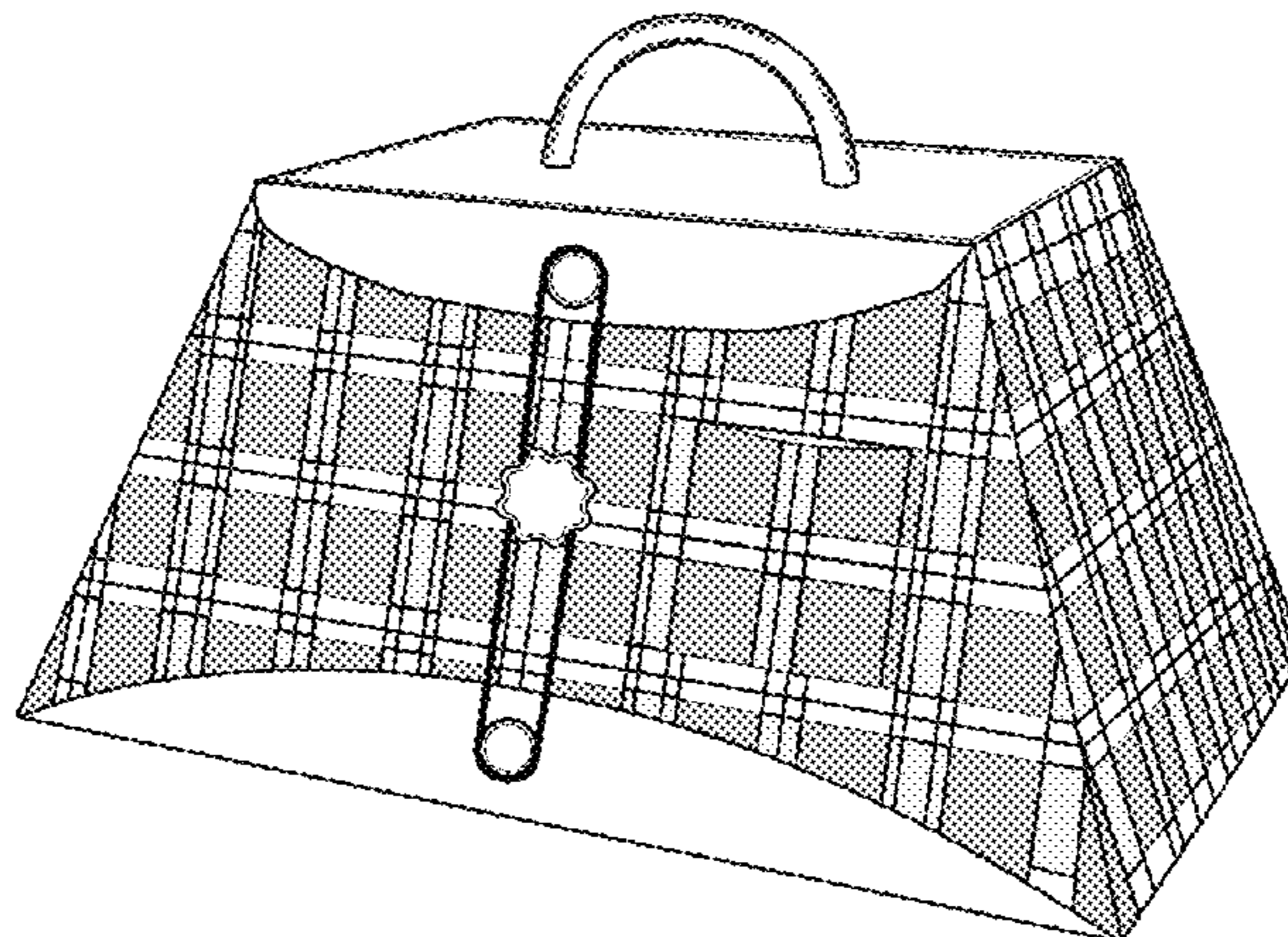
(57) **CLAIM**

I claim the ornamental design for an animal waste purse, as shown and described.

DESCRIPTION

FIG. 1 is a perspective view of the animal waste purse showing my new design;
FIG. 2 is a front elevation view thereof;
FIG. 3 is a rear elevation view thereof;
FIG. 4 is a right side elevation view thereof;
FIG. 5 is a left side elevation view thereof;
FIG. 6 is a top plan view thereof; and,
FIG. 7 is a bottom plan view thereof.

1 Claim, 7 Drawing Sheets



(56)

References Cited

U.S. PATENT DOCUMENTS

D259,615 S * 6/1981 Morris, Jr. D3/288
4,700,831 A * 10/1987 Kassai B65D 5/4204
206/232
D333,709 S * 3/1993 Warren D30/109
D334,638 S * 4/1993 Blackman 294/1.3
D361,225 S * 8/1995 Wilhite D6/682.2
5,632,231 A * 5/1997 Moore A01K 13/001
119/671
D382,207 S * 8/1997 Rowe D9/570
D384,583 S * 10/1997 Green D9/431
6,164,710 A 12/2000 Shibuya
D439,739 S * 4/2001 Murphy D3/272
D456,710 S * 5/2002 Persson D9/431
D469,687 S * 2/2003 Larian D9/415
D469,929 S * 2/2003 Licciardello D30/109
D472,391 S * 4/2003 Romero Femenia D5/46
D517,420 S * 3/2006 Scheider D3/240
D523,183 S * 6/2006 Harrington D30/109
D551,315 S * 9/2007 Zimmerman D22/119
D599,548 S * 9/2009 Bech D3/272
D611,705 S * 3/2010 Romero D3/232
D625,600 S * 10/2010 Hill D9/431
D625,649 S * 10/2010 Rooney D11/146

7,810,860 B2 10/2010 Bell
D633,787 S * 3/2011 Vinseiro D9/431
D636,664 S * 4/2011 Neufeldt D9/431
D637,485 S * 5/2011 Blomberg D9/431
D641,619 S * 7/2011 Blomberg D9/431
D657,238 S * 4/2012 Neufeldt D9/431
D662,708 S * 7/2012 Mailet D3/232
D665,951 S * 8/2012 Lloyd D30/109
D668,041 S * 10/2012 Kriemler D3/232
D682,677 S * 5/2013 Dennin D9/431
D701,455 S * 3/2014 Shepherd D9/418
D711,095 S * 8/2014 Chen D3/232
D718,529 S * 12/2014 Wang D3/290
D718,637 S * 12/2014 Han D9/432
D720,503 S * 12/2014 Lloyd D30/109
D748,393 S * 2/2016 Moore D3/232
D755,624 S * 5/2016 Ng D9/431
D761,555 S * 7/2016 Philo D3/232
D765,500 S * 9/2016 Brown D9/415
D766,598 S * 9/2016 Heidt D5/46
D769,114 S * 10/2016 Montemayor D9/431
D788,579 S * 6/2017 Ogdon D9/431
D791,588 S * 7/2017 Rossbach D9/431
D792,761 S * 7/2017 Duval D9/431
2004/0119304 A1 * 6/2004 Iso A01K 23/005
294/1.3

* cited by examiner

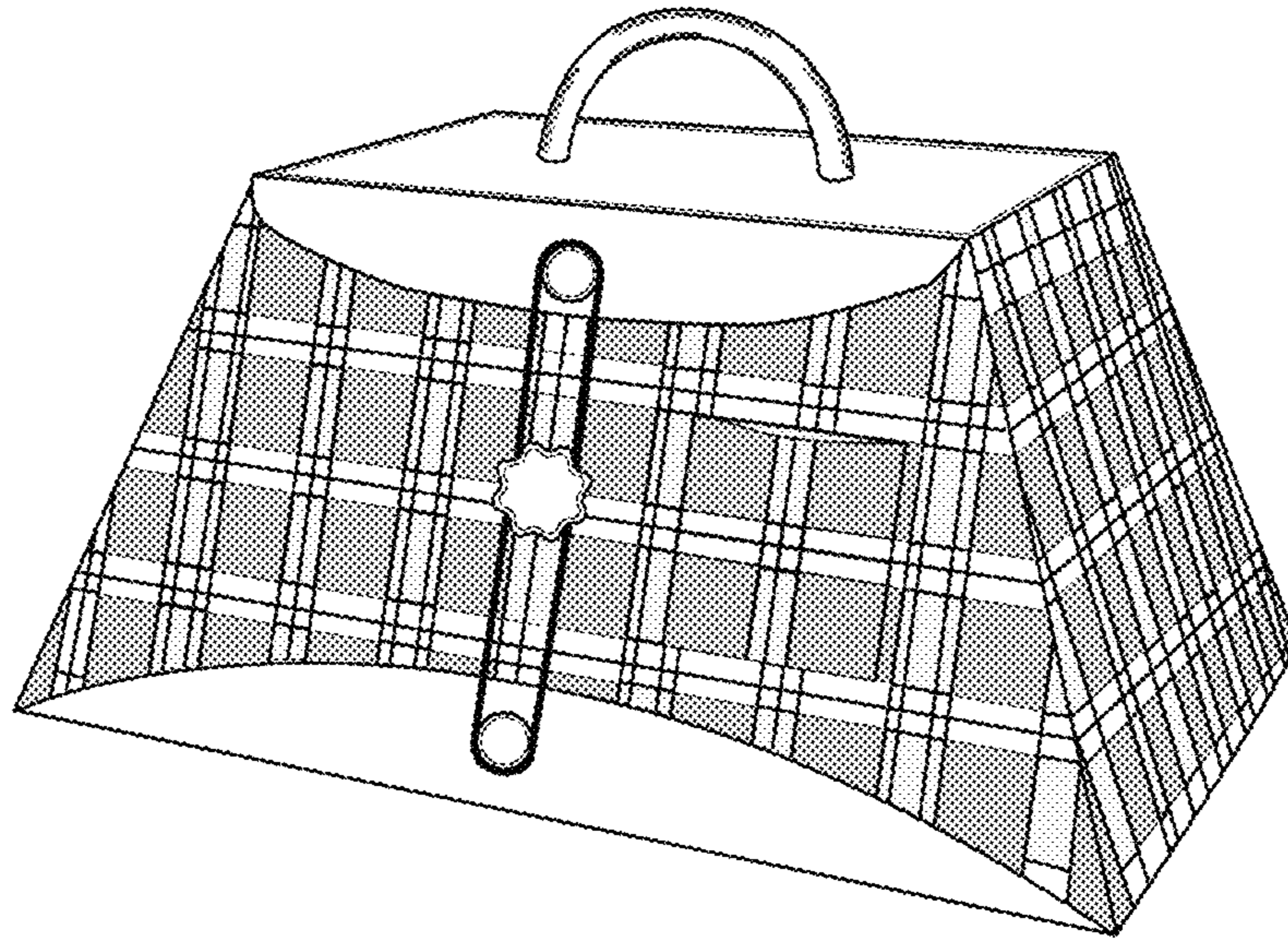


FIG. 1

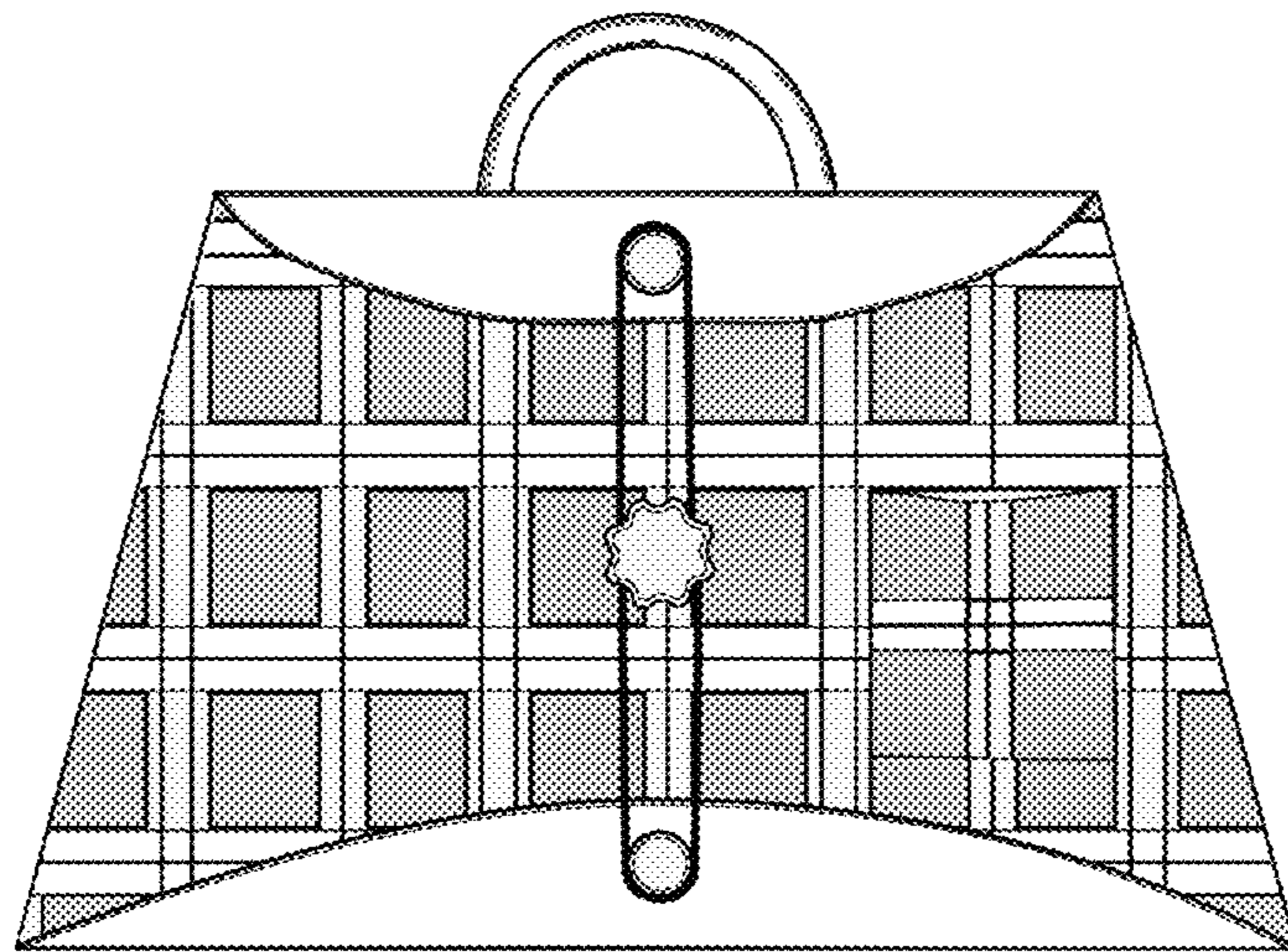


FIG. 2

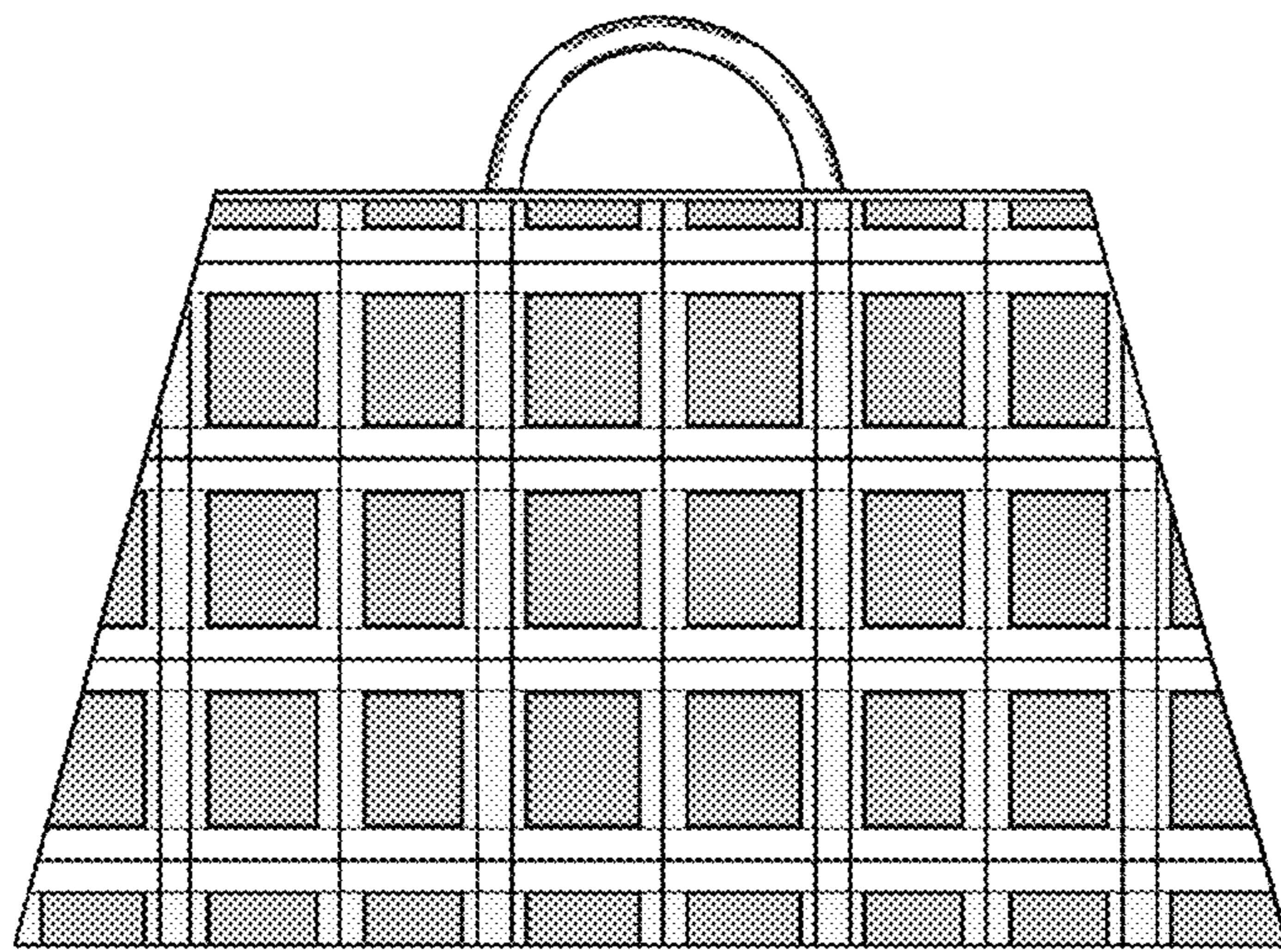


FIG. 3

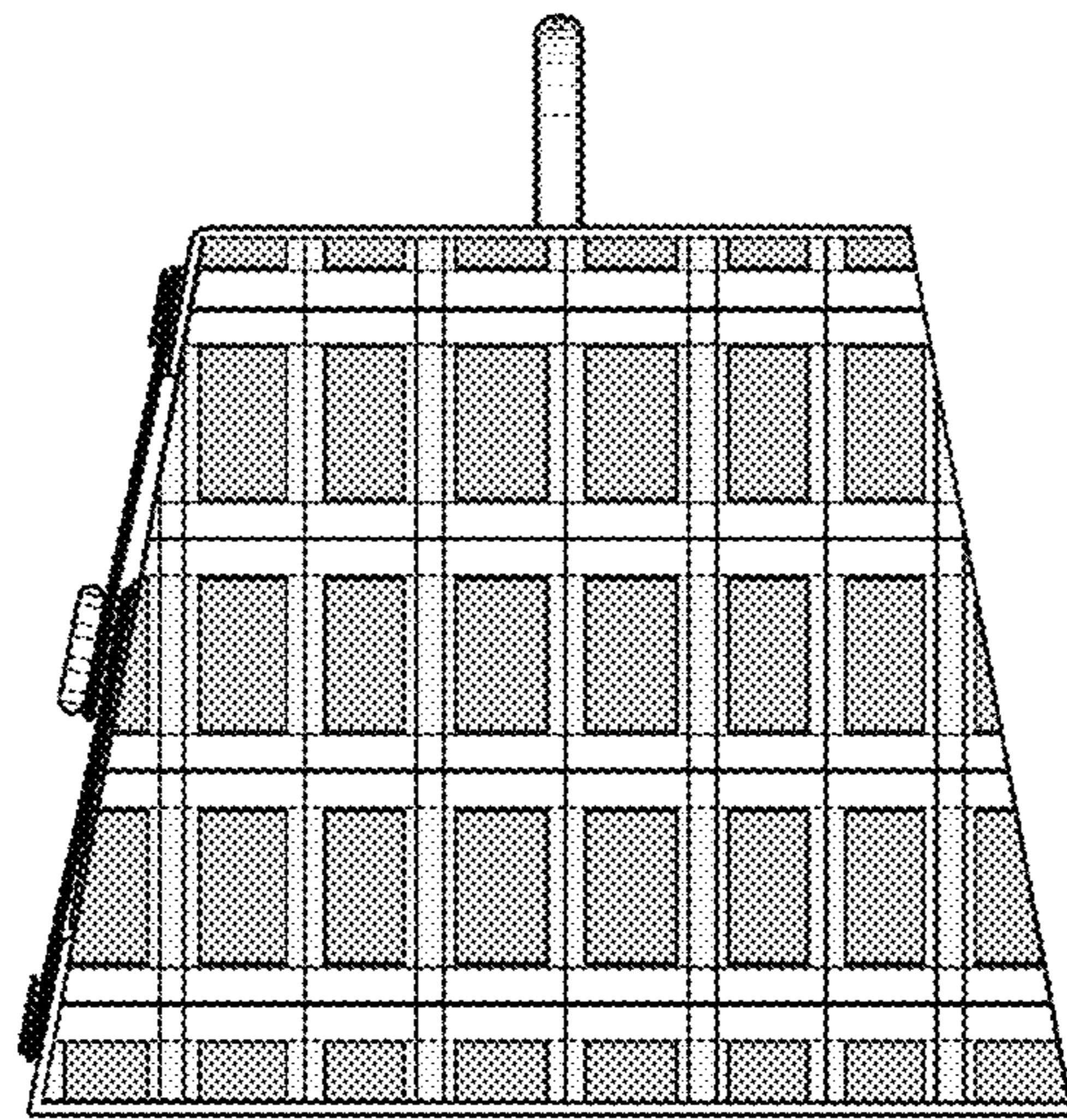


FIG. 4

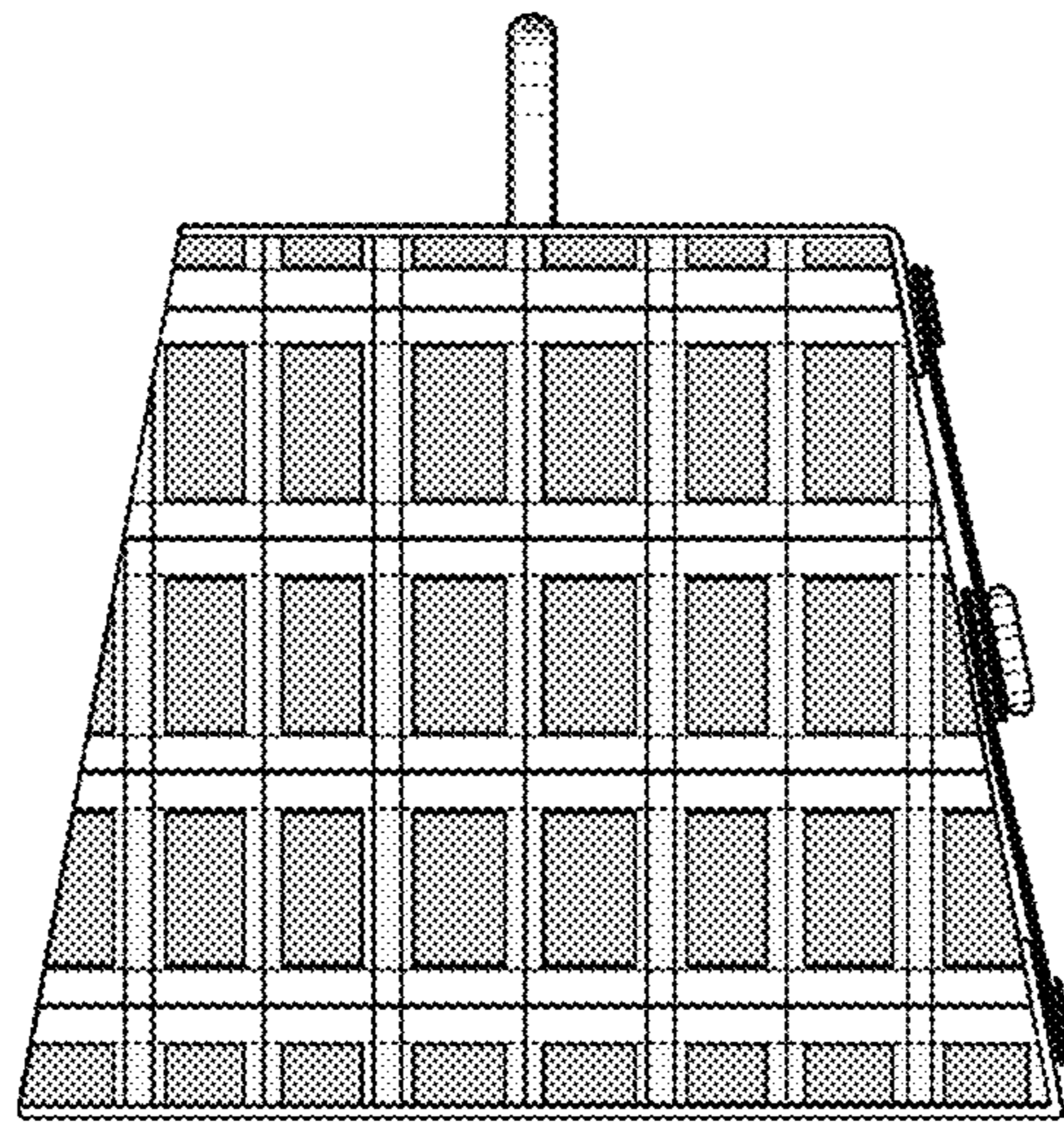


FIG. 5

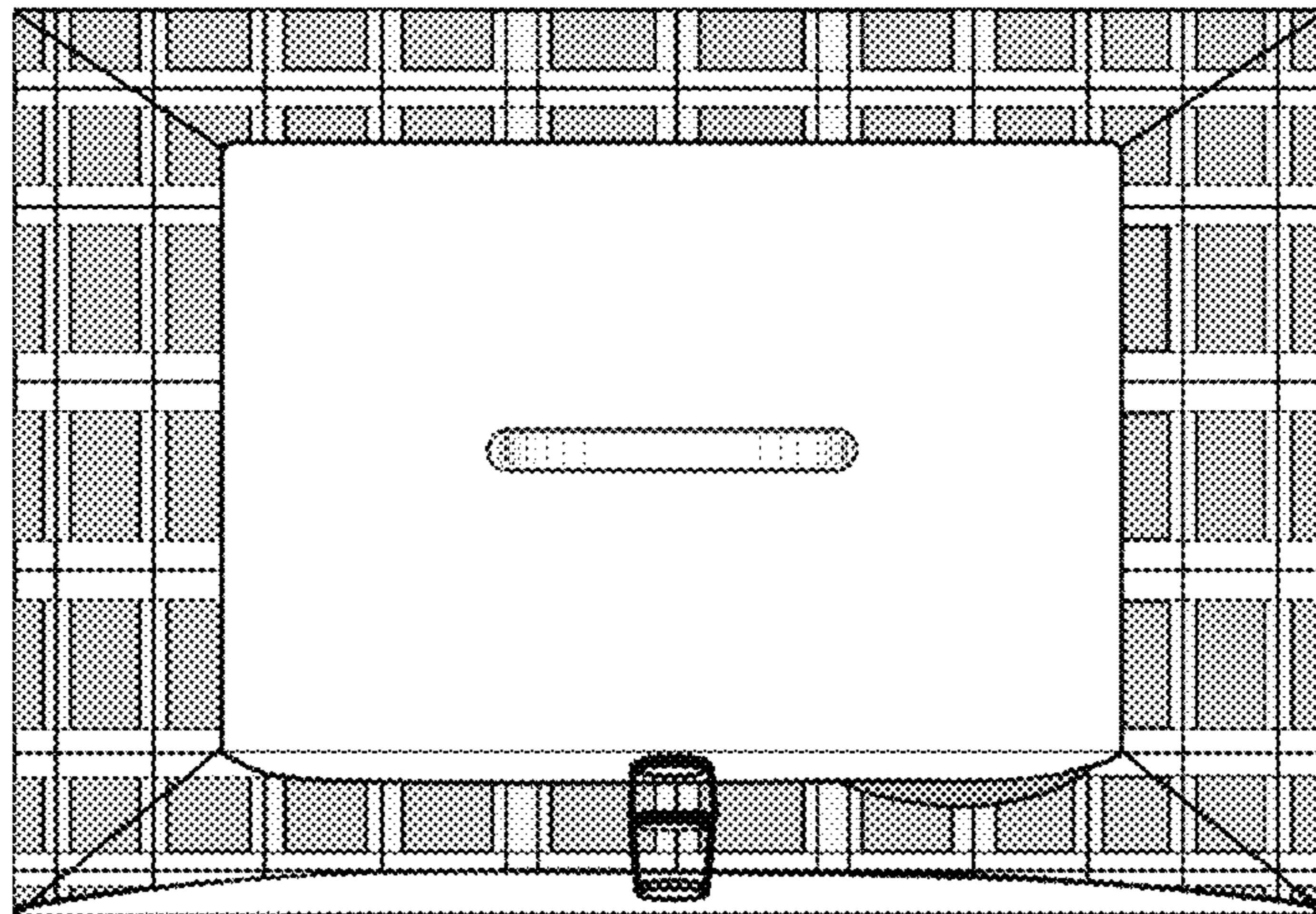


FIG. 6

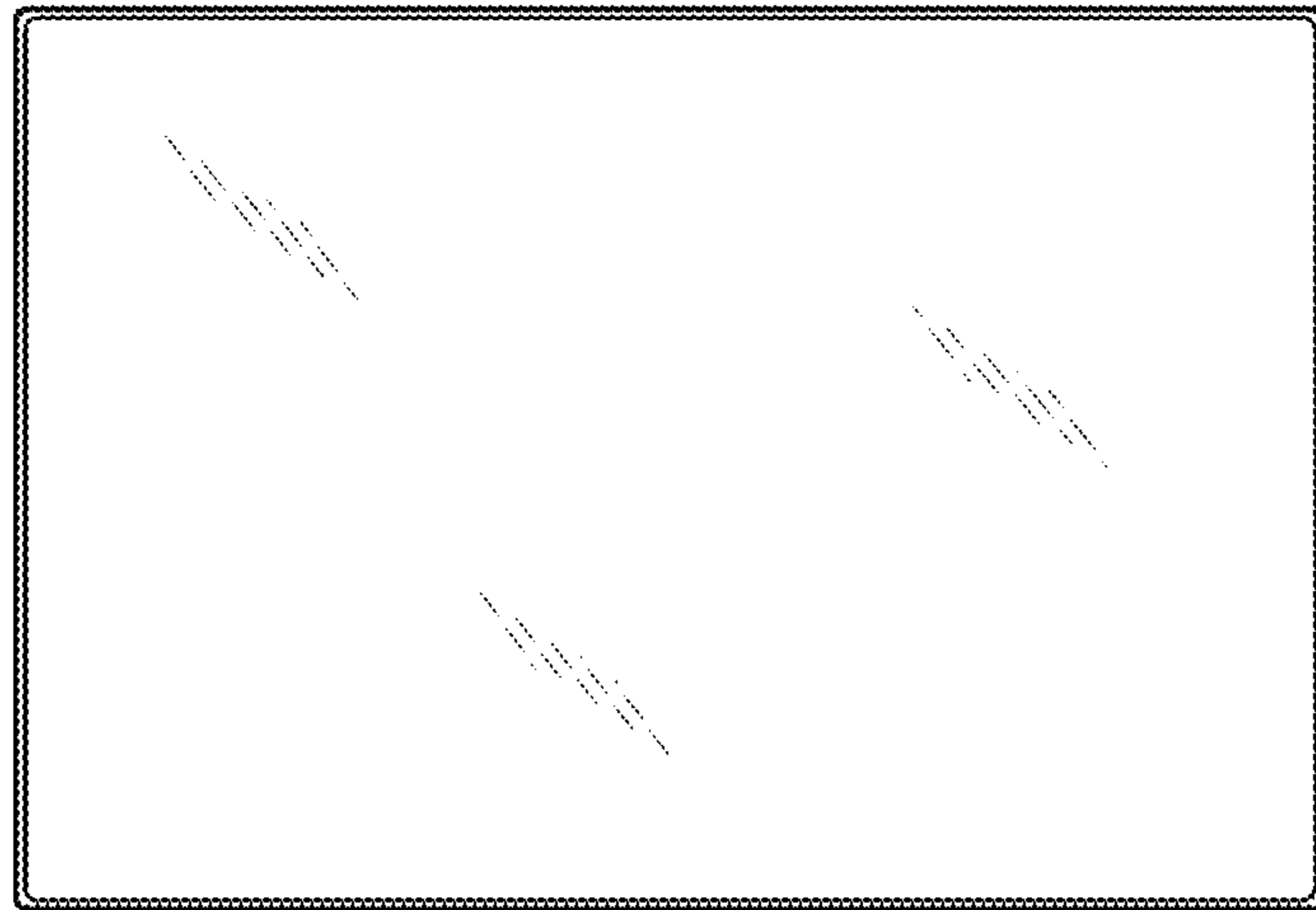


FIG. 7