



US00D804743S

(12) **United States Design Patent** (10) **Patent No.:** **US D804,743 S**
Park (45) **Date of Patent:** **** Dec. 5, 2017**

(54) **DOG CHEW**
(71) Applicant: **Shin Park**, Yongin-si (KR)
(72) Inventor: **Shin Park**, Yongin-si (KR)
(**) Term: **15 Years**
(21) Appl. No.: **29/585,697**
(22) Filed: **Nov. 28, 2016**

(51) **LOC (10) Cl.** **30-99**
(52) **U.S. Cl.**
USPC **D30/160**
(58) **Field of Classification Search**
USPC D30/160; D19/69, 119-120, 124-125;
D1/99, 102, 115, 125, 126-128, 199;
D17/99; D12/207; D15/28, 29, 139;
119/15.01, 702, 707, 709, 710, 727, 741,
119/801, 868; D22/108; D11/9, 14, 33,
D11/36, 39-40, 63, 67, 84, 115, 139, 143,
D11/151, 225, 227, 241; D21/415, 438,
D21/473, 486-488, 547, 563, 576;
D6/600
CPC A01K 29/00; A01K 1/001; A01K 15/00;
A01K 15/02; A01K 15/025; A01K 15/026
See application file for complete search history.

(56) **References Cited**
U.S. PATENT DOCUMENTS
D225,553 S * 12/1972 Moore D15/29
D340,942 S * 11/1993 Smith D15/29

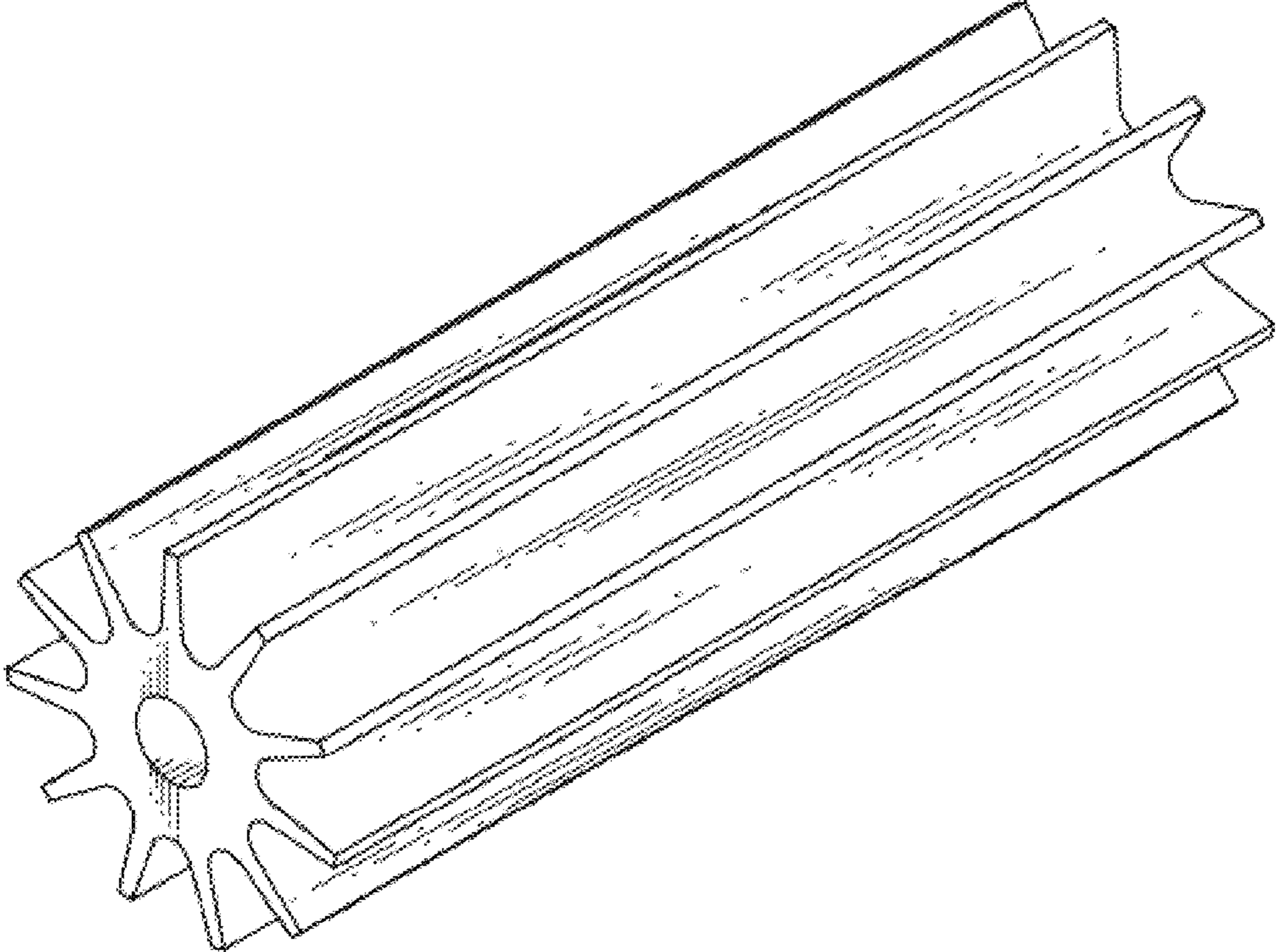
D367,897 S * 3/1996 Schmidt D21/486
D427,669 S * 7/2000 Ruuska D23/266
D458,438 S * 6/2002 Volk, III D2/869
D493,947 S * 8/2004 Carmody D2/869
D507,691 S * 7/2005 Leiweke D1/121
D633,277 S * 3/2011 Freije D1/199
D636,205 S * 4/2011 Chou D6/580
D687,101 S * 7/2013 Sternberg D19/69
D771,898 S * 11/2016 Albuja D1/125
D789,650 S * 6/2017 Hansen D1/125
2011/0232581 A1 * 9/2011 Gick A01K 15/026
119/707

* cited by examiner
Primary Examiner — Mary Ann Calabrese
Assistant Examiner — Mehri Bajoul
(74) *Attorney, Agent, or Firm* — Novick, Kim & Lee,
PLLC; Jae Youn Kim

(57) **CLAIM**
I claim the ornamental design for a dog chew, as shown and described.

DESCRIPTION
FIG. 1 is a perspective view of a dog chew, showing my new design;
FIG. 2 is a front elevational view thereof;
FIG. 3 is a rear elevational view thereof;
FIG. 4 is a left side elevational view thereof;
FIG. 5 is a right side elevational view thereof;
FIG. 6 is a top plan view thereof; and,
FIG. 7 is a bottom plan view thereof.

1 Claim, 5 Drawing Sheets



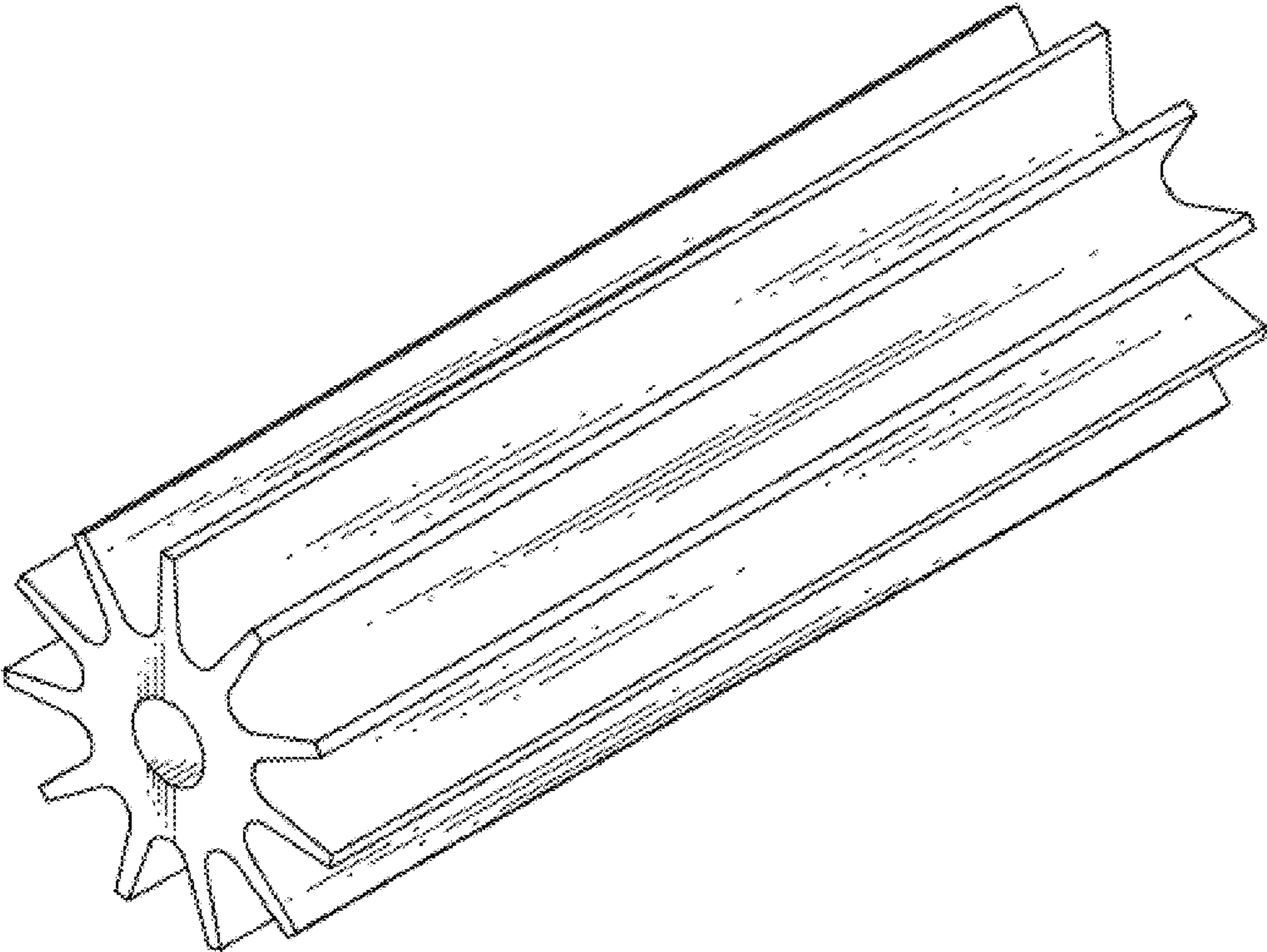


FIG. 1

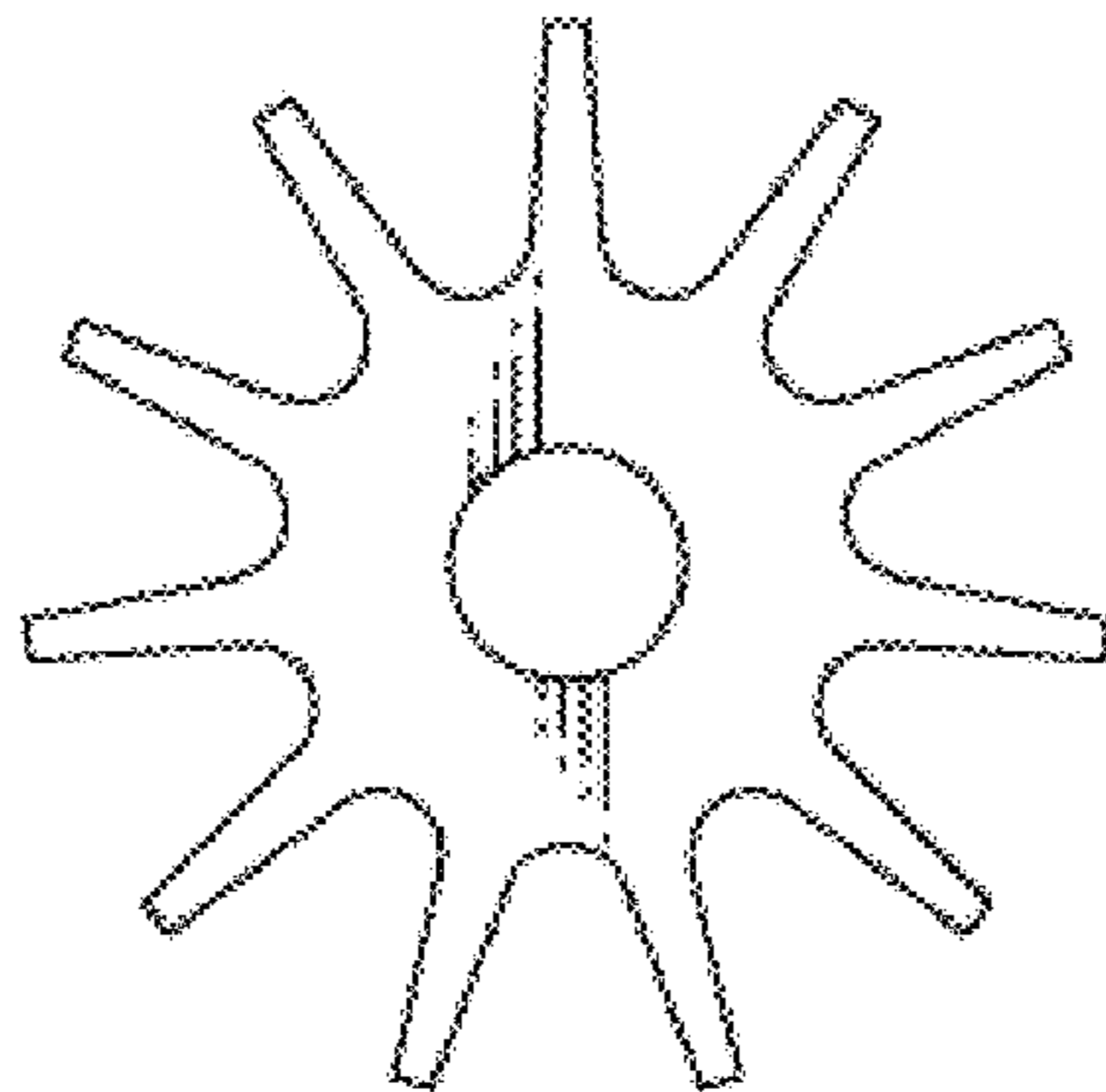


FIG. 2

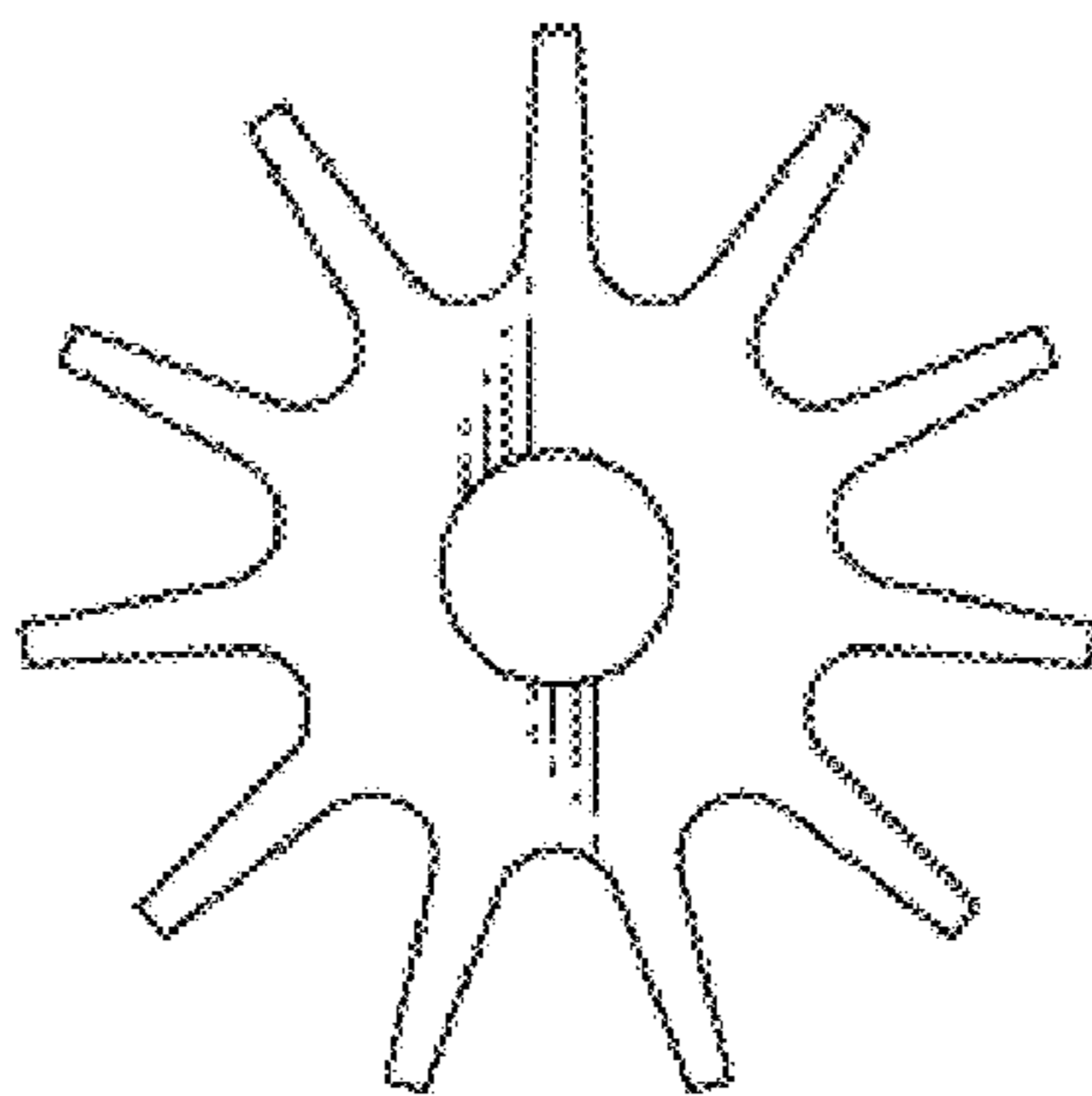


FIG. 3

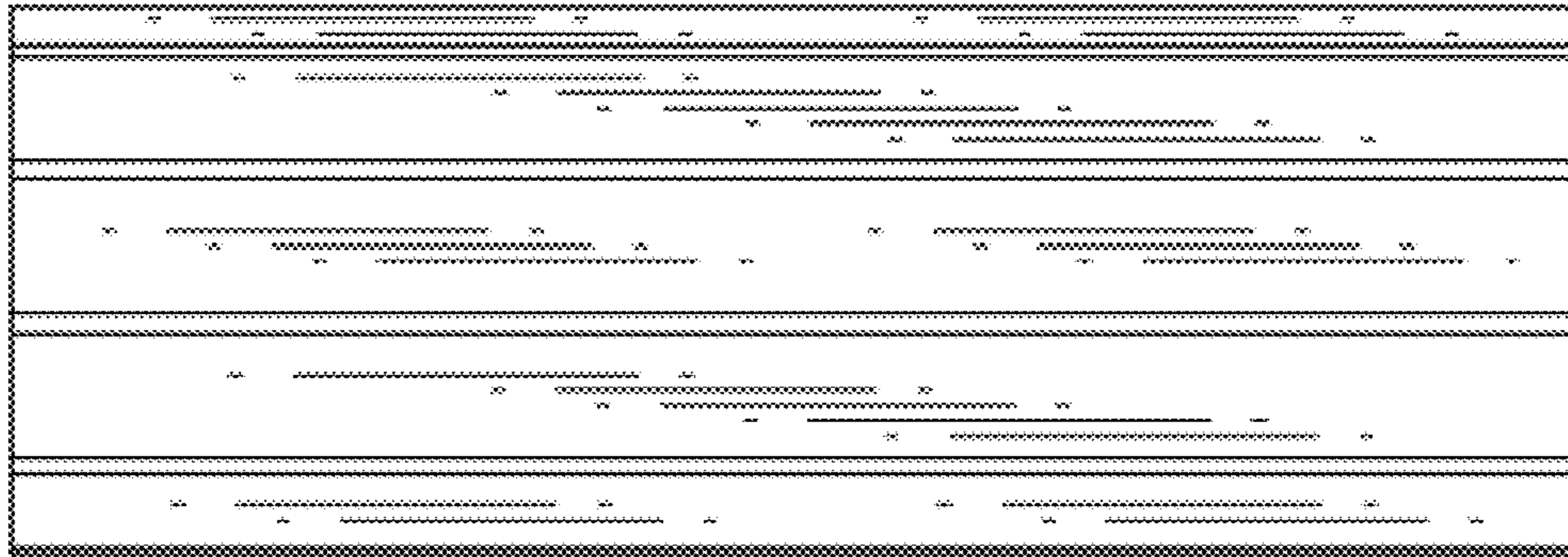


FIG. 4

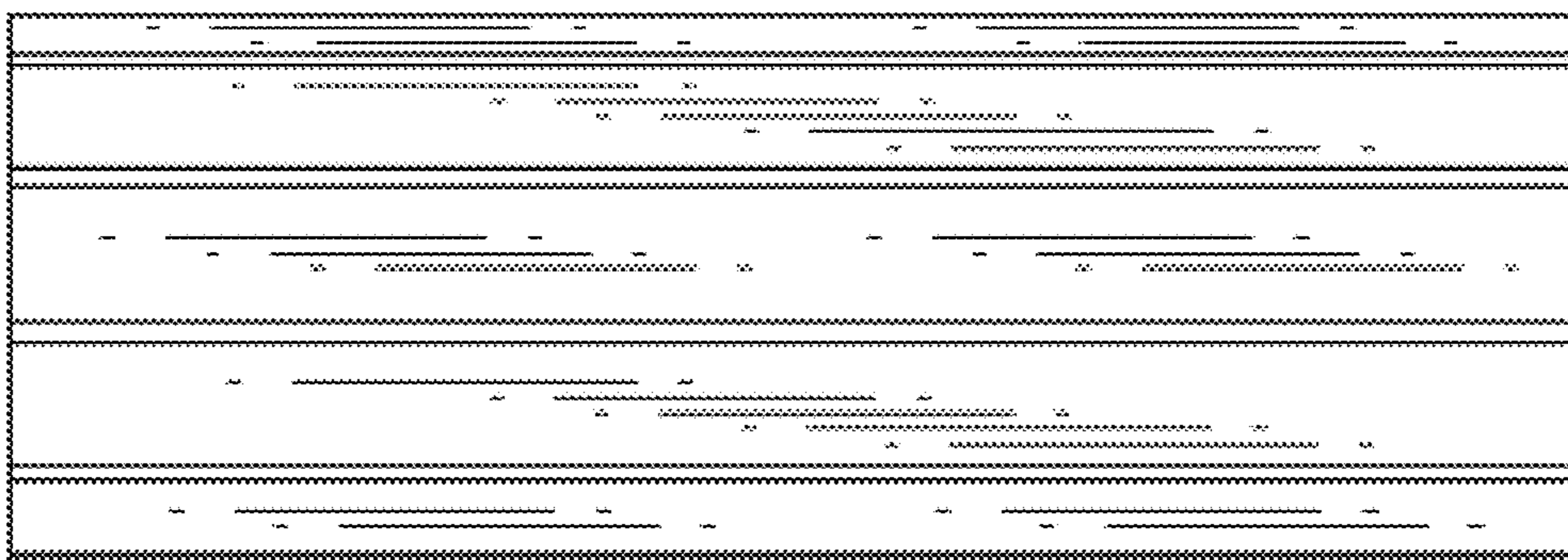


FIG. 5

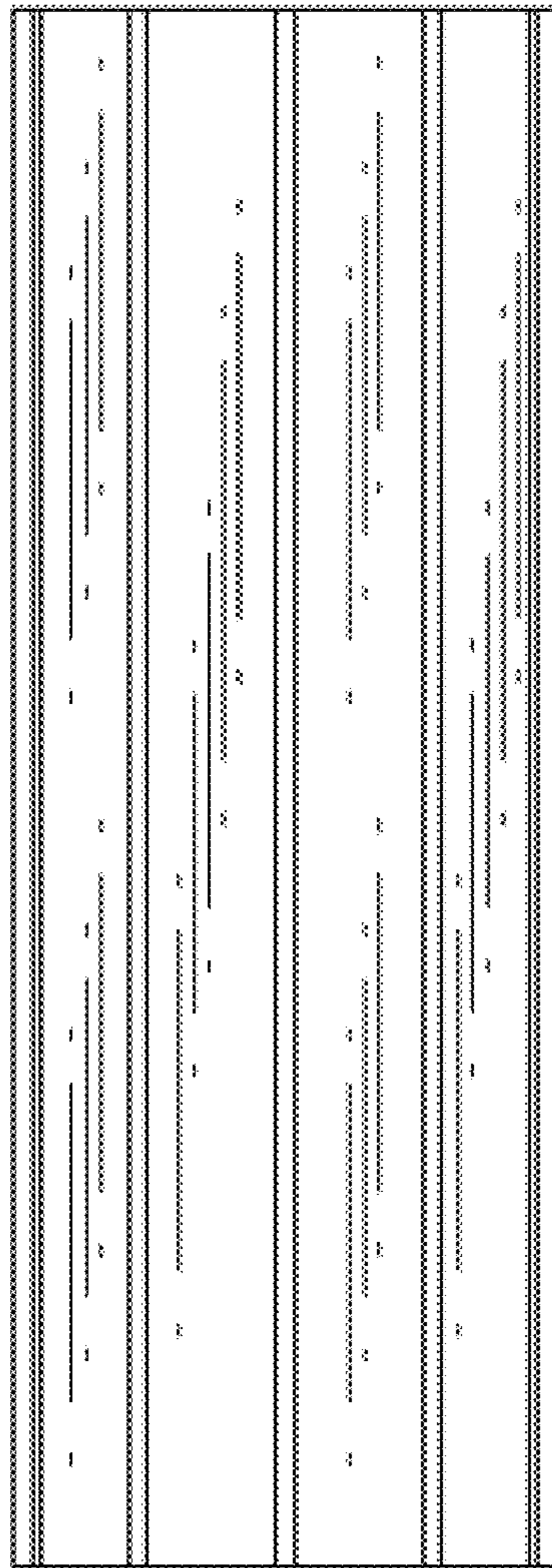


FIG. 6

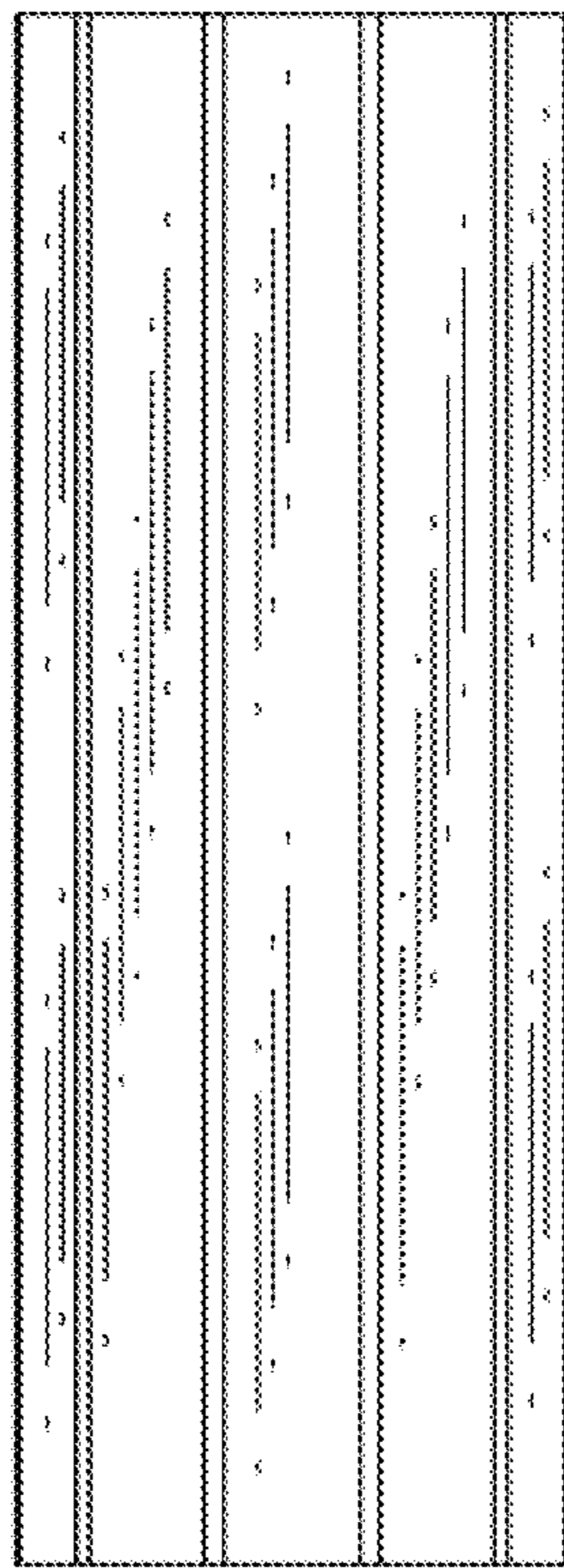


FIG. 7