



US00D804739S

(12) **United States Design Patent** (10) **Patent No.:** **US D804,739 S**  
**Ksiazek et al.** (45) **Date of Patent:** **\*\* Dec. 5, 2017**

(54) **PET CAGE BRACKET**  
(71) Applicant: **O2COOL, LLC**, Chicago, IL (US)  
(72) Inventors: **Michael Ksiazek**, Burr Ridge, IL (US);  
**Eric Junkel**, Mount Prospect, IL (US)

D640,125 S 6/2011 Rosenkranz et al.  
D659,302 S \* 5/2012 Rose ..... D30/121  
D695,973 S \* 12/2013 Carrs ..... D30/133  
D724,346 S 3/2015 Lim et al.  
D727,655 S 4/2015 Lim  
(Continued)

(73) Assignee: **O2COOL, LLC**, Chicago, IL (US)  
(\*\*) Term: **15 Years**

**OTHER PUBLICATIONS**

“Best Dog Crate for a Car”. Found online Jun. 30, 2016 at  
chronofhorse.com. Page dated Aug. 22, 2014. Retrieved from  
<http://www.chronofhorse.com/forum/archive/index.php/t-445489.html>.\*

(21) Appl. No.: **29/543,942**

(Continued)

(22) Filed: **Oct. 29, 2015**

(51) **LOC (10) Cl.** ..... **30-02**

(52) **U.S. Cl.**  
USPC ..... **D30/119; D8/354**

*Primary Examiner* — Robert M. Spear  
*Assistant Examiner* — Kendra L Hamilton  
(74) *Attorney, Agent, or Firm* — Thompson Coburn LLP

(58) **Field of Classification Search**  
USPC ..... D30/108, 109, 112, 113, 114, 116, 119,  
D30/133; D25/48.1, 48.3; D8/354, 373,  
D8/383; 119/416, 428, 452, 453, 472,  
119/473, 481, 482, 496, 498, 499, 500,  
119/501, 502, 702, 751; 160/179, 180;  
49/169; 24/305, 331, 579.11  
CPC .. A01K 1/0035; A01K 1/0245; A01K 1/0017;  
A47G 35/00

(57) **CLAIM**

The ornamental design for a pet cage bracket, as shown and  
described.

See application file for complete search history.

**DESCRIPTION**

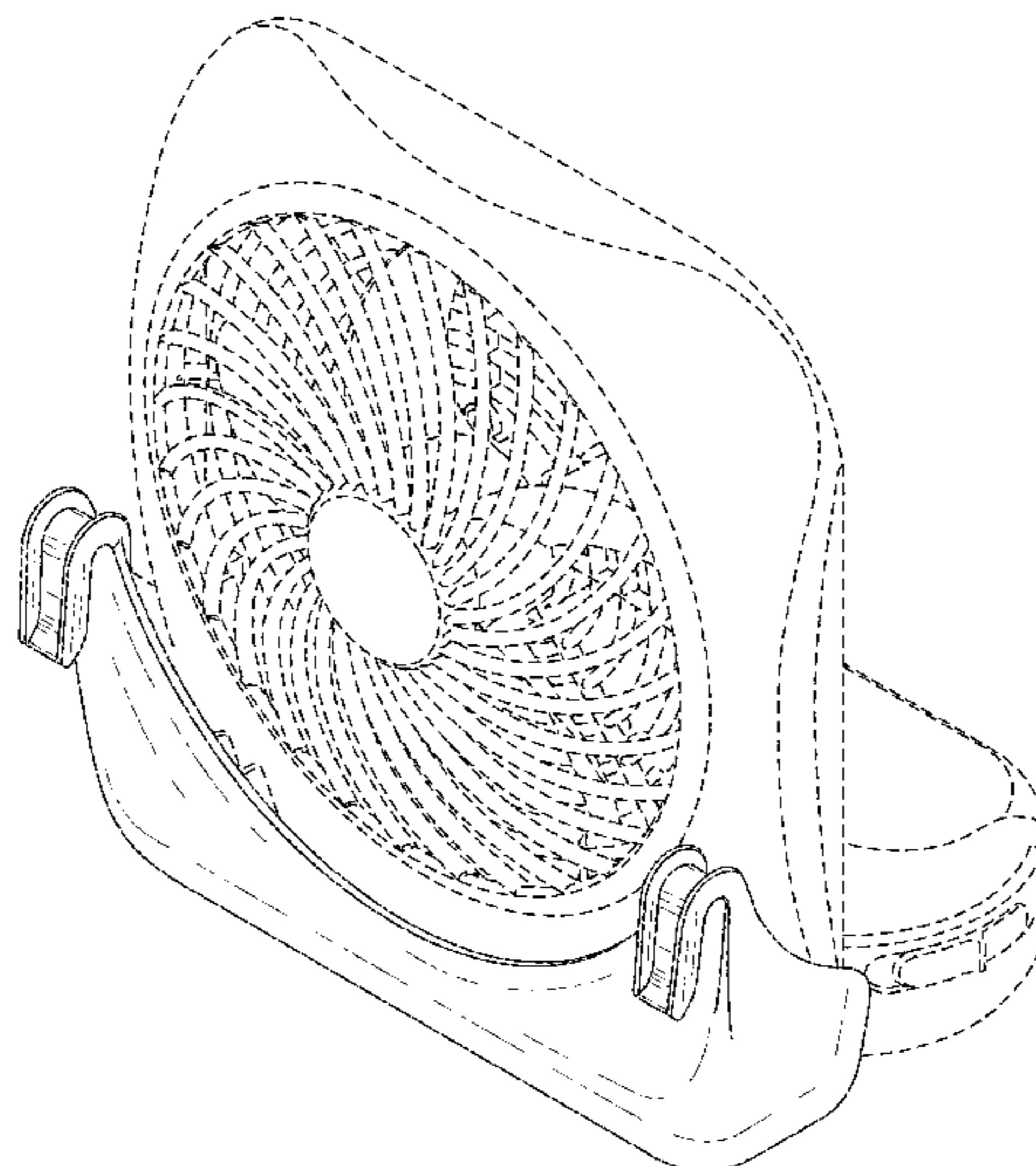
FIG. 1 is a front top-right perspective view of a pet cage  
bracket showing our new design in condition of use with a  
fan;  
FIG. 2 is a front top-right perspective view thereof;  
FIG. 3 is a rear top-left perspective view thereof;  
FIG. 4 is a rear top-right perspective view thereof;  
FIG. 5 is a front elevational view thereof;  
FIG. 6 is a rear elevational view thereof;  
FIG. 7 is a right side elevational view thereof;  
FIG. 8 is a left side elevational view thereof;  
FIG. 9 is a top plan view thereof; and,  
FIG. 10 is a bottom plan view thereof.  
The broken lines immediately adjacent the shaded areas  
represent the bounds of the claimed design while all other  
broken lines are directed to environment; the broken lines  
form no part of the claimed design.

(56) **References Cited**

**U.S. PATENT DOCUMENTS**

D108,649 S \* 3/1938 Savaglio ..... D8/366  
D255,982 S \* 7/1980 Germann ..... D8/373  
D297,471 S \* 8/1988 Carlin ..... D30/119  
4,995,337 A \* 2/1991 Abrams ..... A01K 39/014  
119/477  
D409,338 S \* 5/1999 Gallardo ..... D30/119  
D414,901 S \* 10/1999 Cirelli ..... D30/119  
D432,902 S \* 10/2000 Thiel ..... D8/354  
D480,296 S \* 10/2003 Scola ..... D8/373  
D491,446 S \* 6/2004 Vidmar ..... D8/373  
D567,072 S \* 4/2008 Ingimundarson ..... D8/383  
7,762,765 B2 7/2010 Milks et al.  
7,779,645 B2 8/2010 Heimbach

**1 Claim, 10 Drawing Sheets**



(56)

**References Cited**

U.S. PATENT DOCUMENTS

D727,718 S \* 4/2015 McLaren Hall ..... D8/373  
D728,262 S 5/2015 Lim  
D740,647 S 10/2015 DeCosta

OTHER PUBLICATIONS

“5in Battery Operated Portable Fan”. Found online Jun. 29, 2016 at homedepot.com. Page dated Jul. 27, 2013. Retrieved from <http://www.homedepot.com/p/O2Cool-5-in-Battery-Operated-Portable-Fan-FD05004/203121391>.\*

“Metro Air Force Crate/Cage Cooling Fan”. Found online Jun. 29, 2016 at amazon.com. Page dated May 26, 2007. Retrieved from [https://www.amazon.com/Metro-Vacuum-Crate-Cooling-CCF-1/dp/B00008435E/ref=cm\\_cr\\_ar\\_p\\_d\\_product\\_top?ie=UTF8](https://www.amazon.com/Metro-Vacuum-Crate-Cooling-CCF-1/dp/B00008435E/ref=cm_cr_ar_p_d_product_top?ie=UTF8).\*

“Dog Travel Bowl Road Refresher Cage Bracket”. Found online Jun. 29, 2016 at amazon.co.uk. Page dated Aug. 6, 2010. Retrieved from <https://www.amazon.co.uk/Travel-Road-Refresher-Bracket-Small/dp/B003YLP0JI>.\*

\* cited by examiner

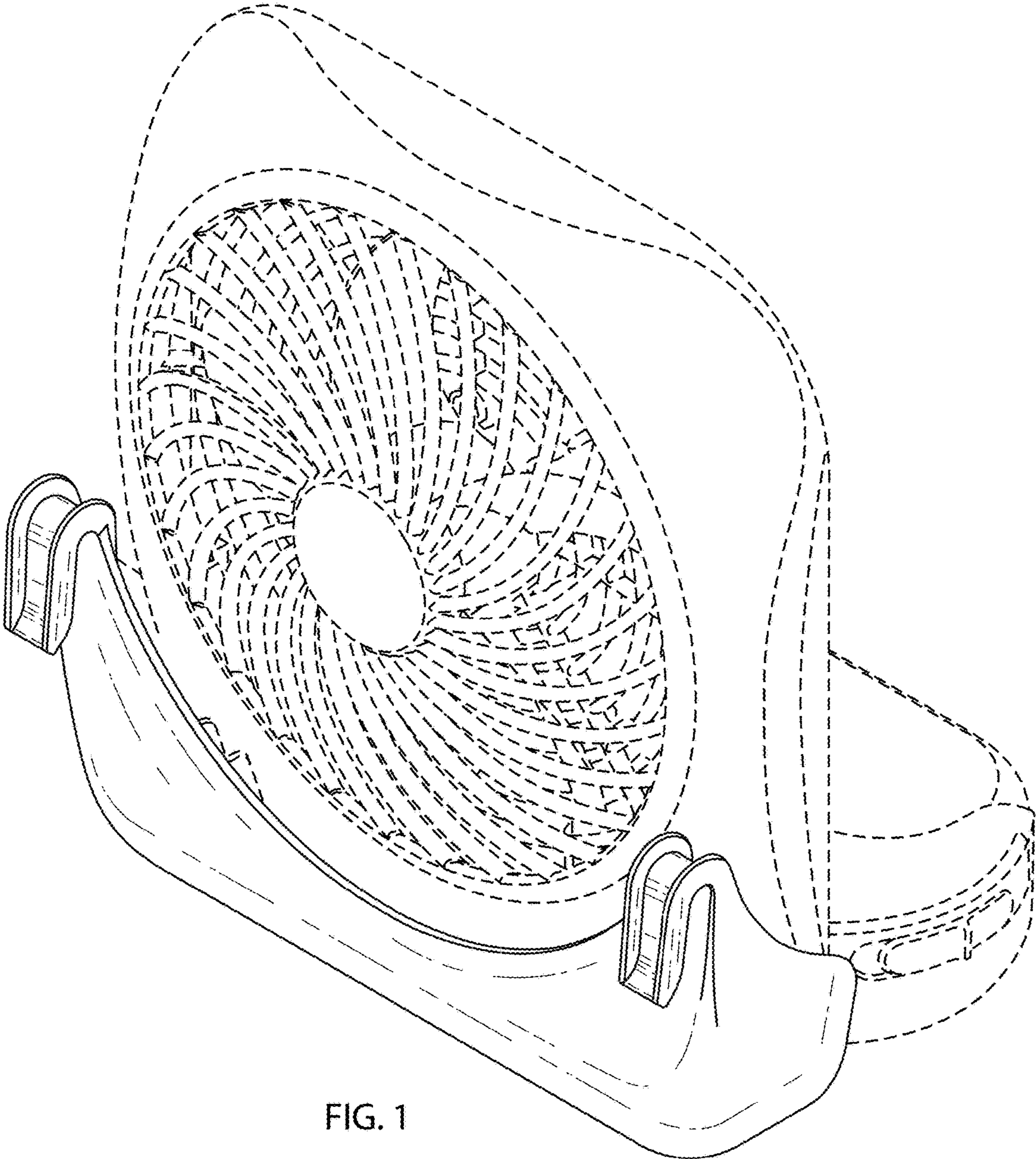


FIG. 1

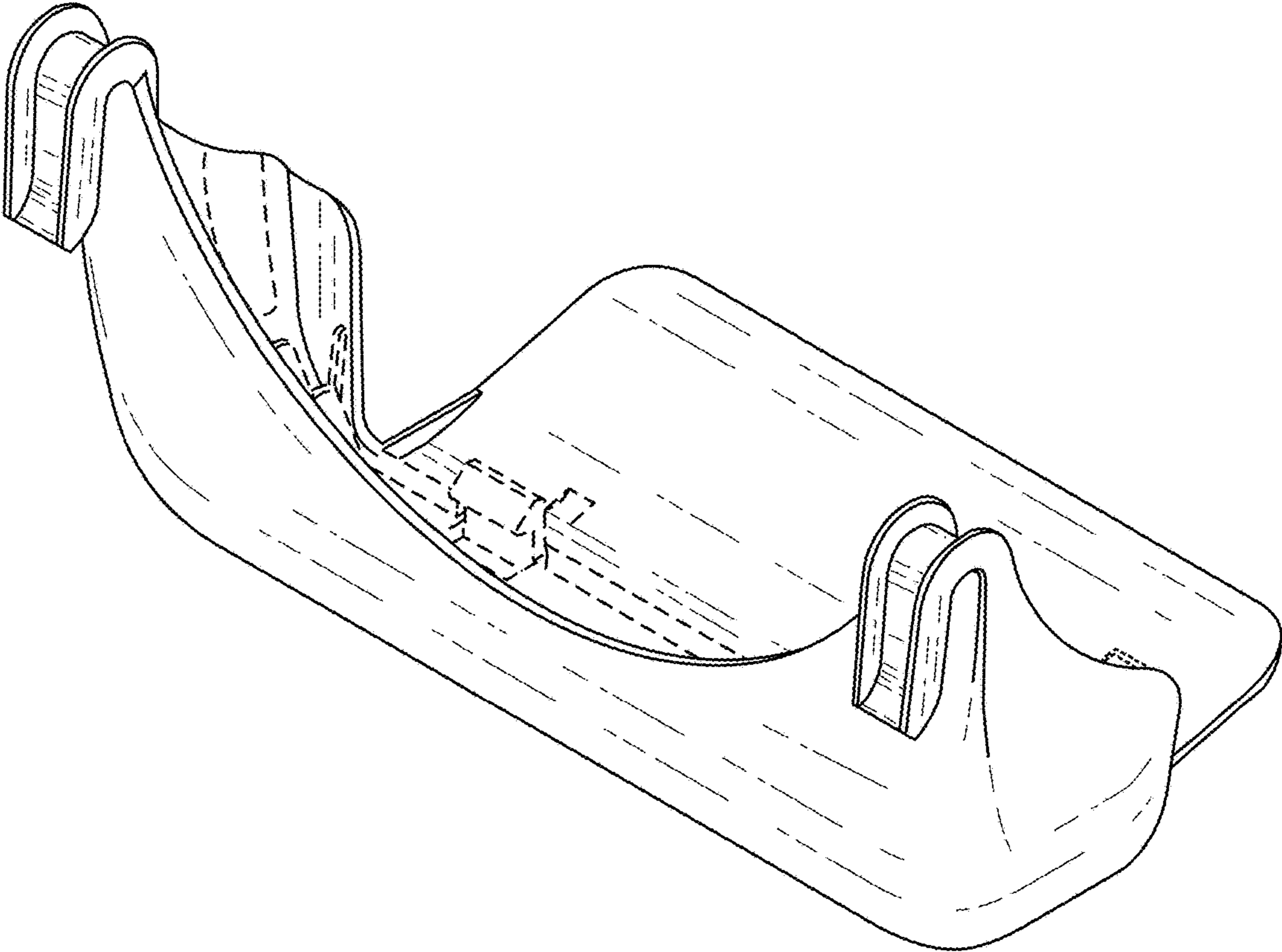


FIG. 2



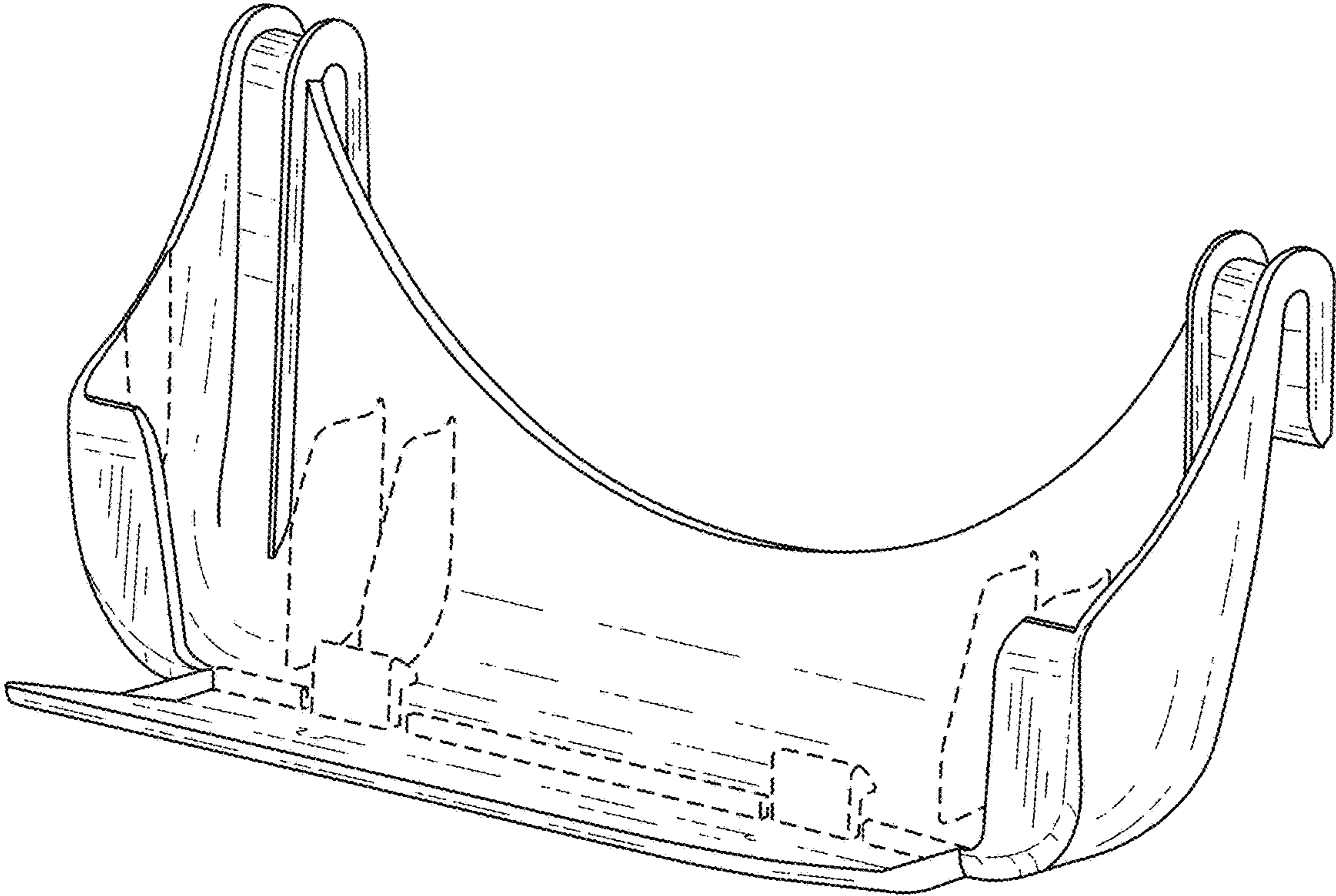


FIG. 3

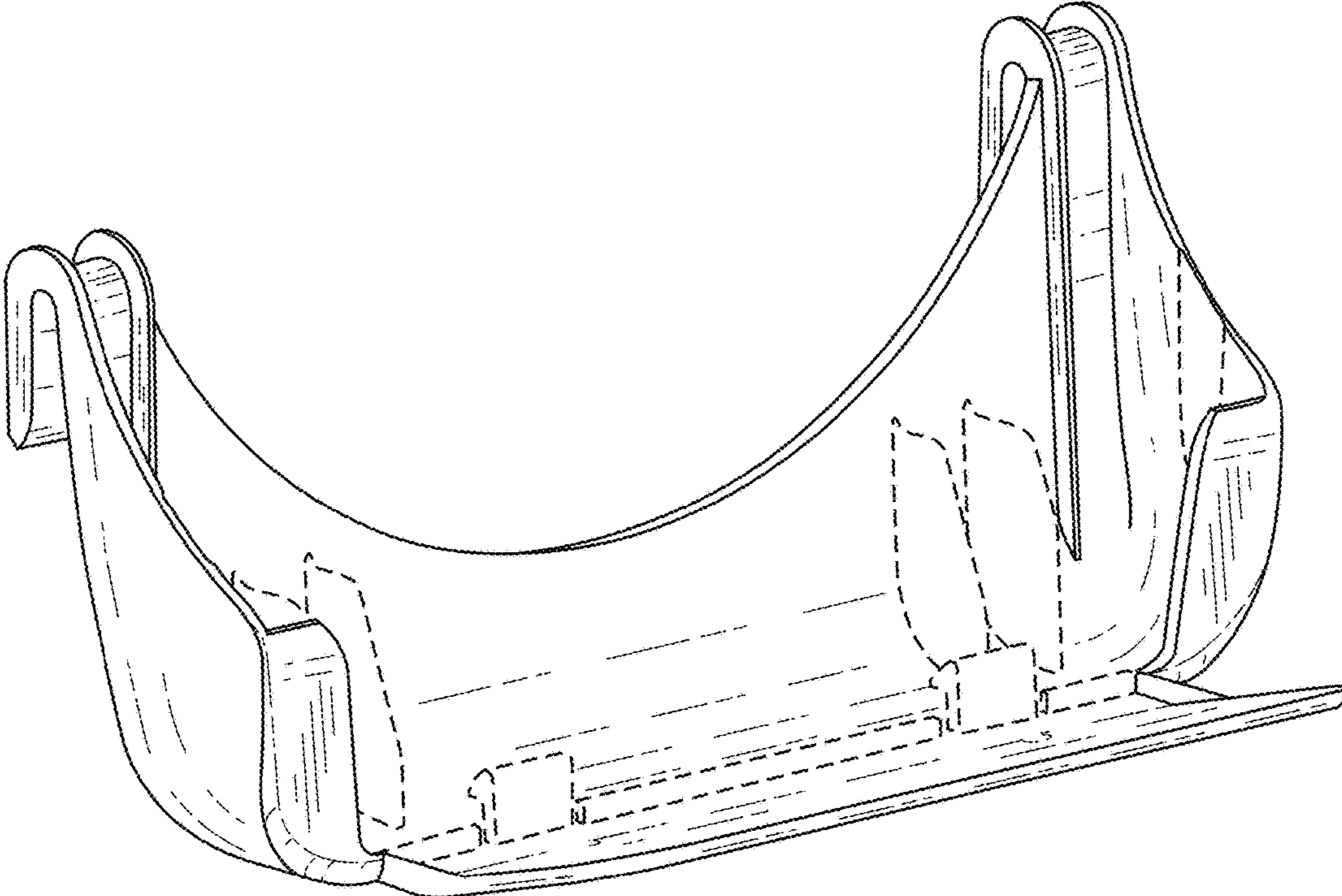


FIG. 4

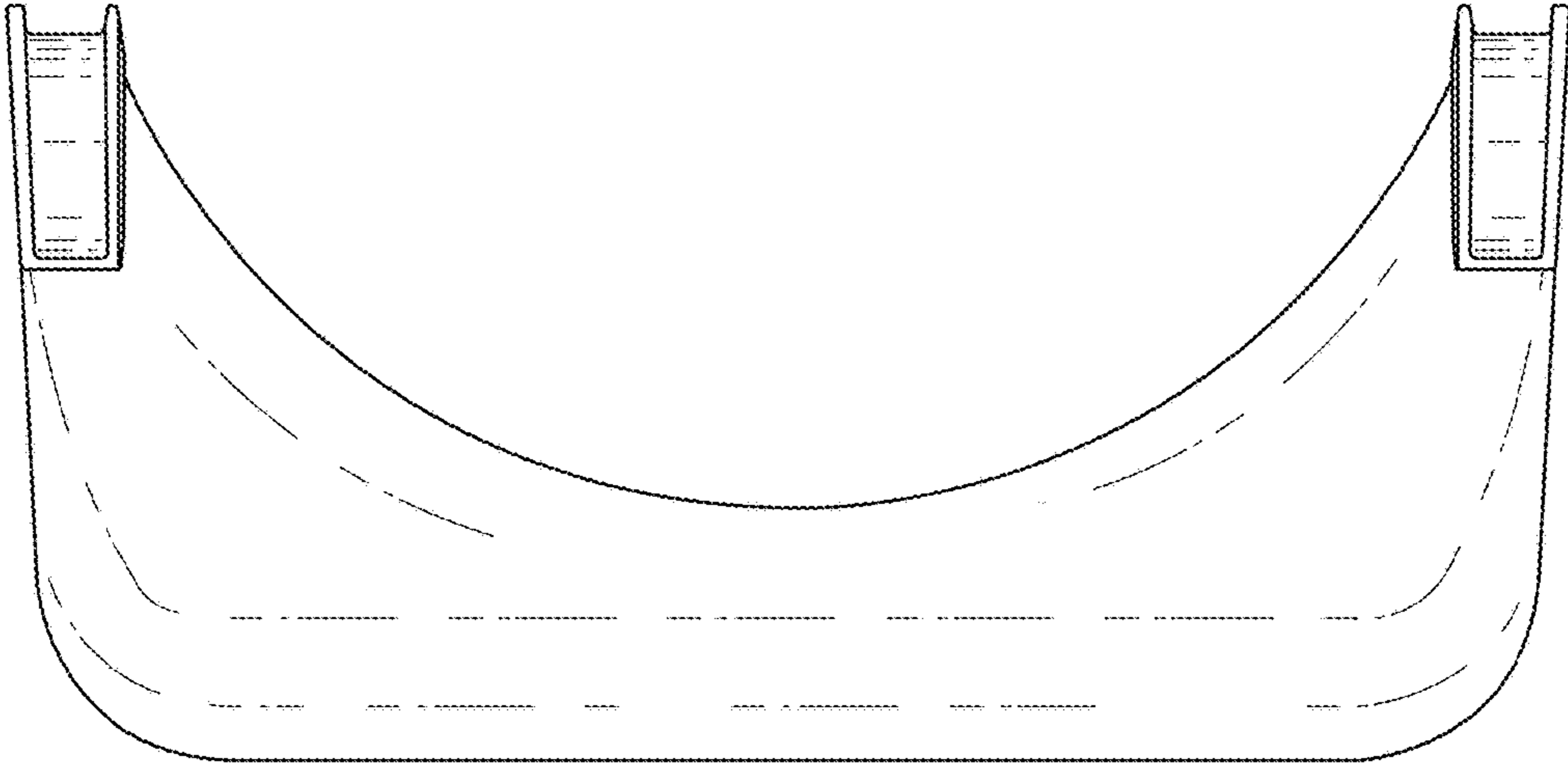


FIG. 5

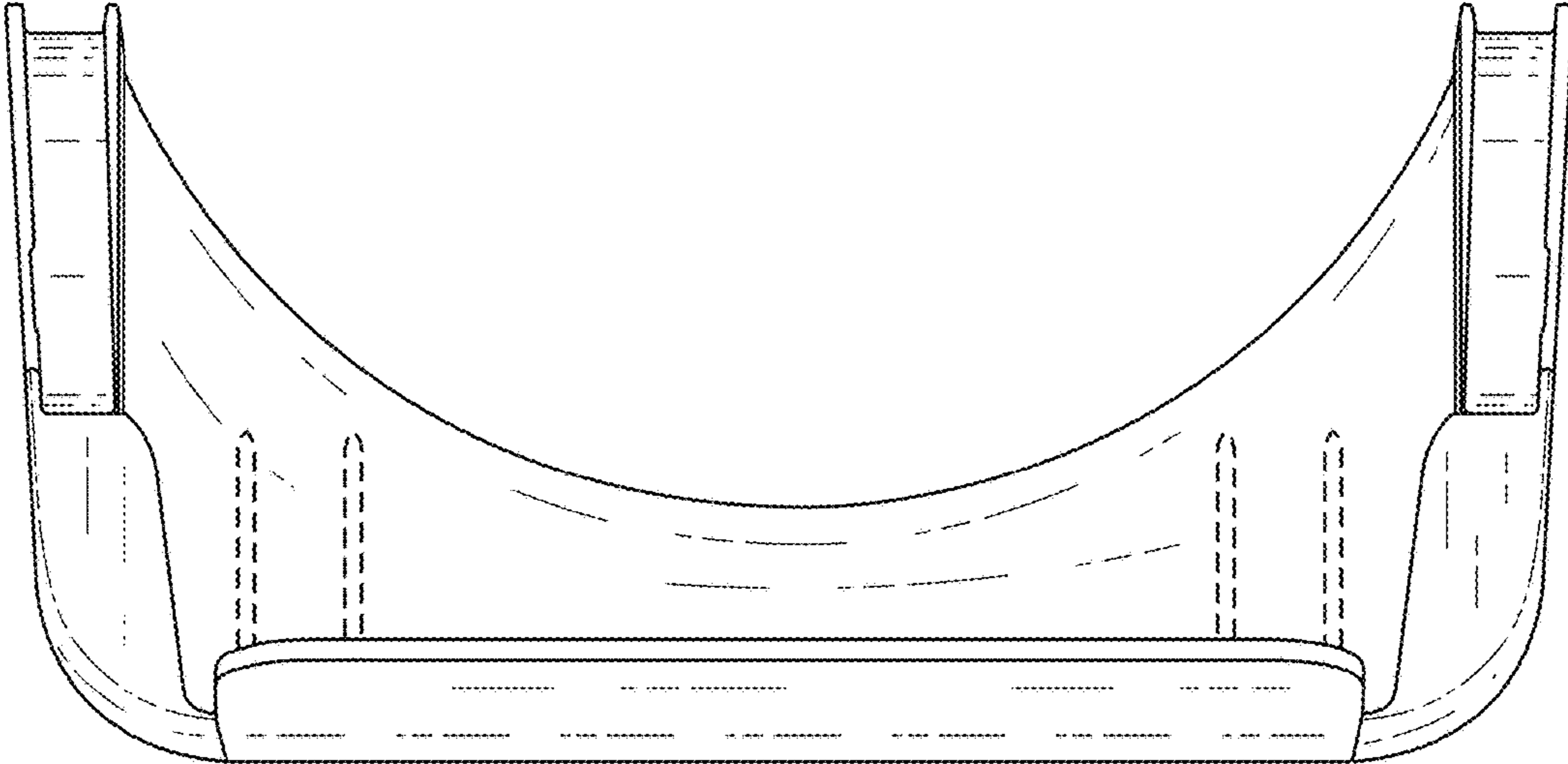


FIG. 6



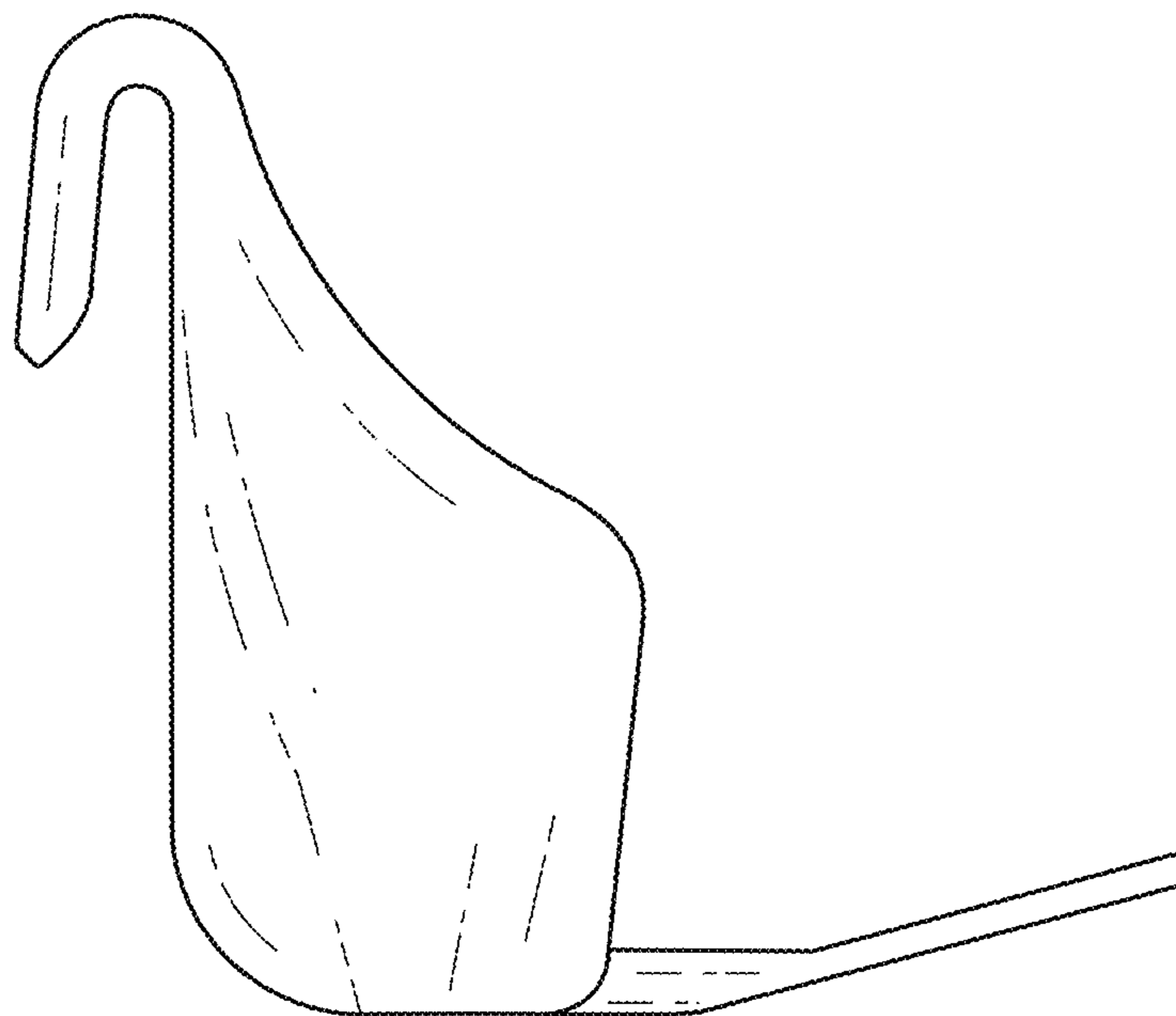


FIG. 7

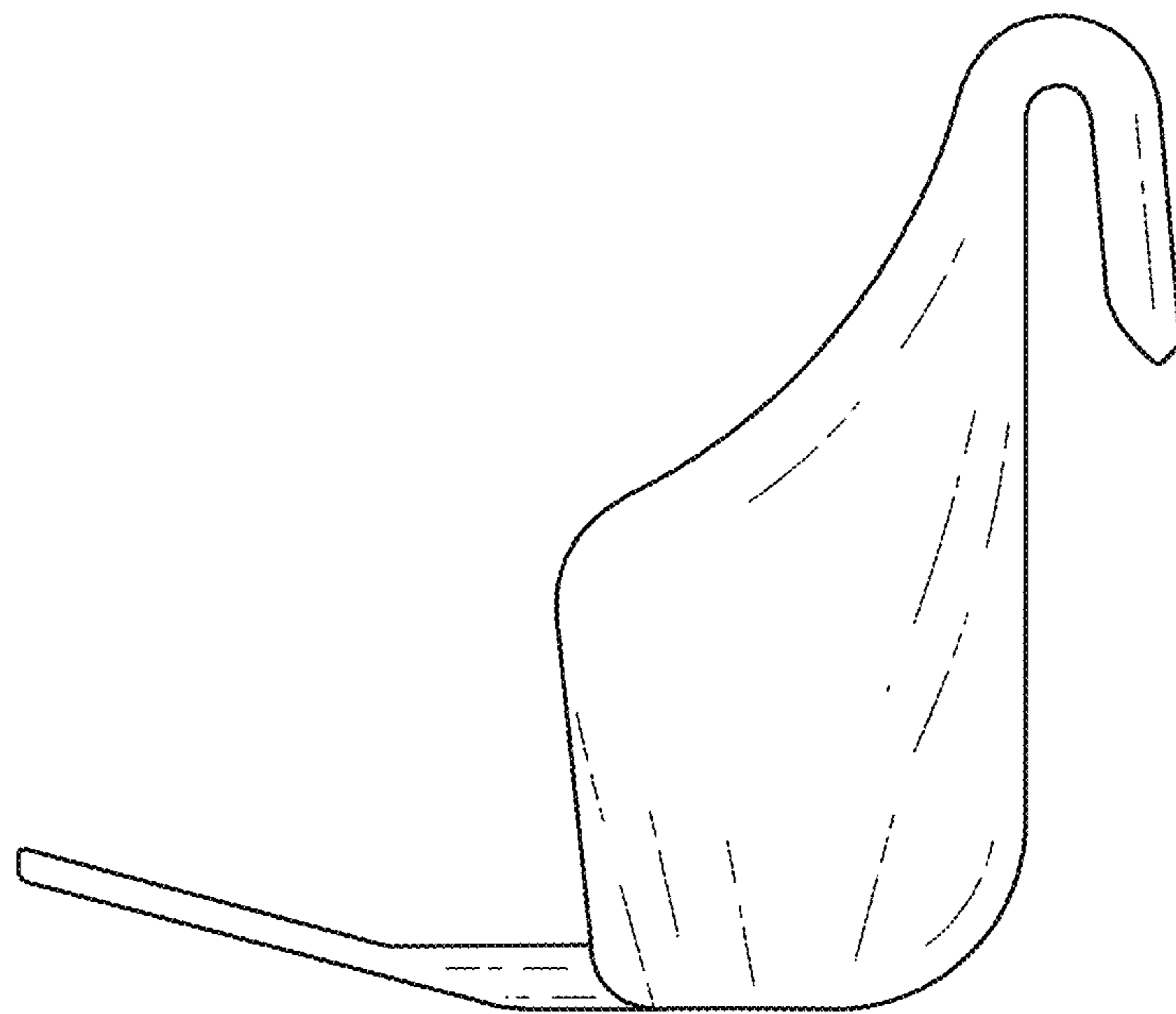


FIG. 8

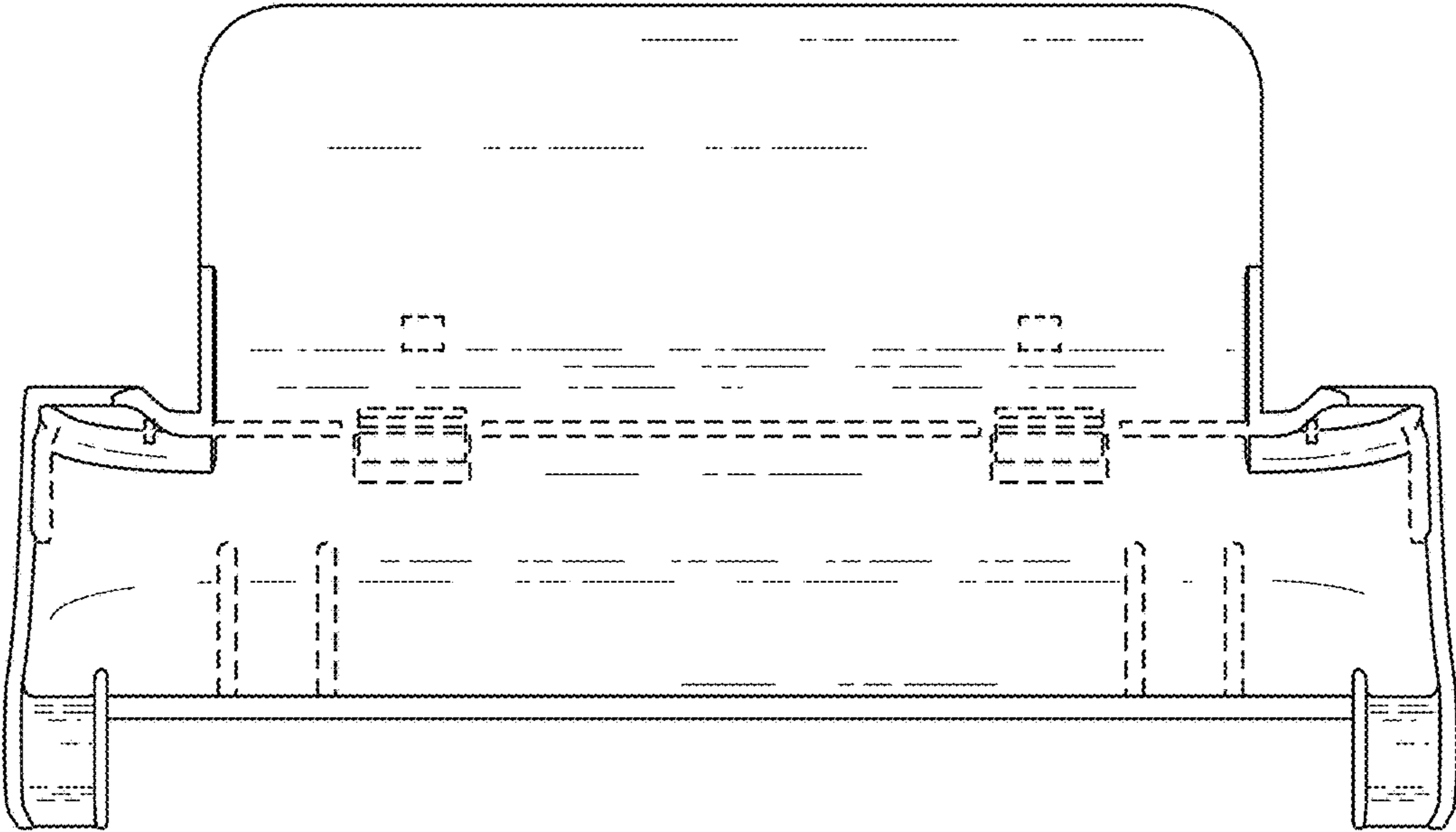


FIG. 9

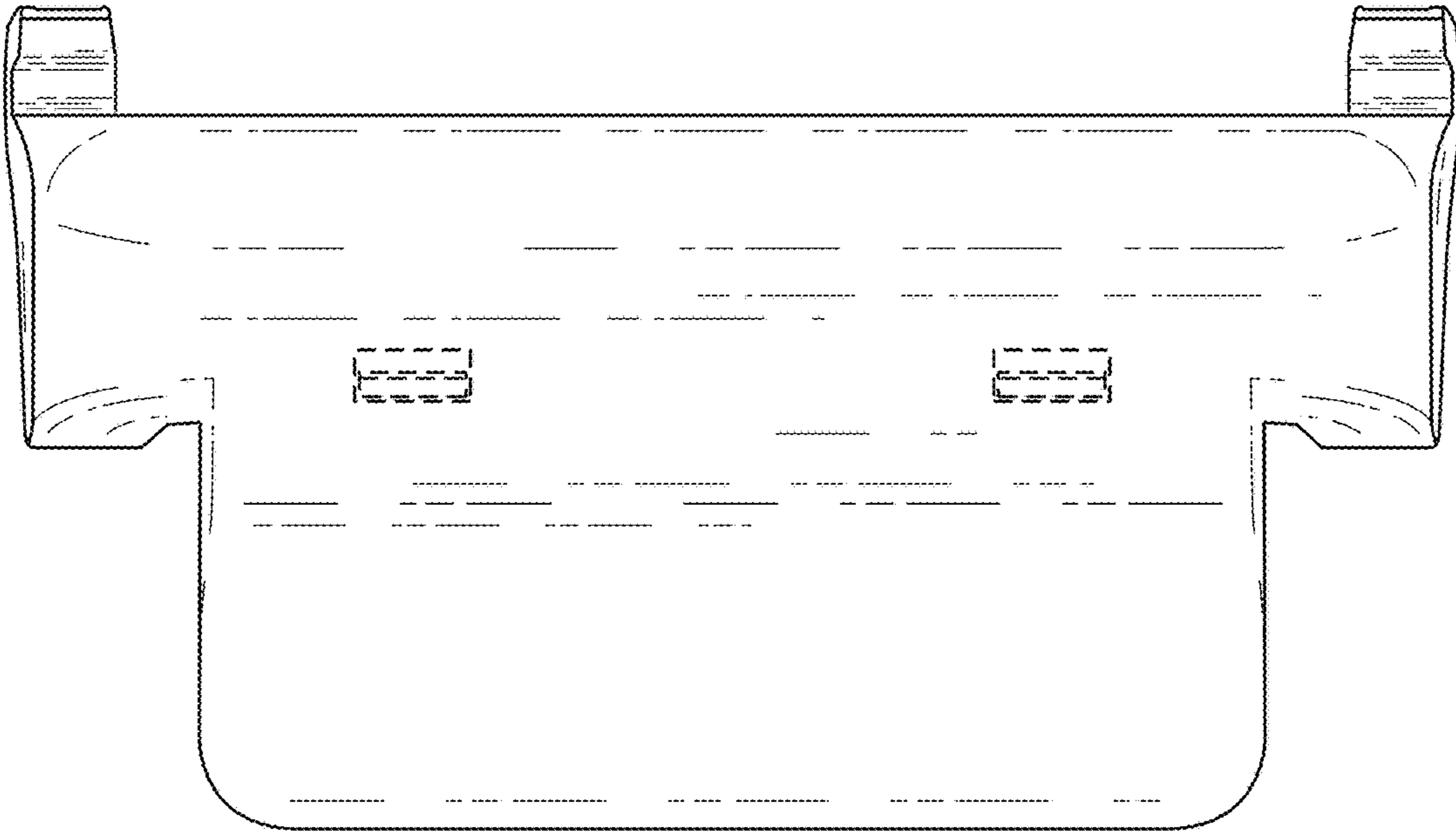


FIG. 10