



US00D804738S

(12) **United States Design Patent**  
**Nourollah**

(10) **Patent No.:** **US D804,738 S**

(45) **Date of Patent:** **\*\* Dec. 5, 2017**

(54) **PET CARRIER**

(71) Applicant: **OxGord Incorporated**, Los Angeles,  
CA (US)

(72) Inventor: **Yehuda Nourollah**, Glendale, CA (US)

(73) Assignee: **Oxgord Incorporated**, Los Angeles,  
CA (US)

(\*\*) Term: **15 Years**

(21) Appl. No.: **29/586,544**

(22) Filed: **Dec. 5, 2016**

(51) **LOC (10) Cl.** ..... **30-01**

(52) **U.S. Cl.**  
USPC ..... **D30/109; D30/108**

(58) **Field of Classification Search**  
USPC ..... D30/108–109, 112–117; 119/431, 452,  
119/461, 481–482, 496–498, 500  
CPC .... A01K 1/0245; A01K 1/0254; A01K 1/033;  
A01K 1/03; A01K 13/18; A01K 31/002;  
A01K 31/00; A01K 31/06  
See application file for complete search history.

(56) **References Cited**

**U.S. PATENT DOCUMENTS**

D398,082 S *	9/1998	Martz	.....	D3/273
D398,083 S *	9/1998	Martz	.....	D3/273
D423,147 S *	4/2000	Farrugia	.....	D30/109
D442,748 S *	5/2001	Farrugia	.....	D3/276
D481,539 S *	11/2003	Martz	.....	D3/279
D523,995 S *	6/2006	Knittle	.....	D30/109
D548,408 S *	8/2007	Martz	.....	D3/273
D558,406 S *	12/2007	King	.....	D30/109
D575,461 S *	8/2008	Cannon	.....	D3/273
D609,406 S *	2/2010	Johnson	.....	D30/108
D649,719 S *	11/2011	Siklosi	.....	D30/109
D662,263 S *	6/2012	Chau	.....	D30/109
D662,264 S *	6/2012	Chau	.....	D30/109

D685,952 S *	7/2013	Dixon	.....	D30/109
D707,896 S *	6/2014	Renforth	.....	D30/108
D715,500 S *	10/2014	Renforth	.....	D30/109
D722,728 S *	2/2015	Renforth	.....	D30/109
D724,792 S *	3/2015	Renforth	.....	D30/109
D727,573 S *	4/2015	Eisen	.....	D30/109
D728,167 S *	4/2015	Renforth	.....	D30/109
D732,246 S *	6/2015	Eisen	.....	D30/109
D753,347 S *	4/2016	Lu	.....	D30/109
2004/0194723 A1 *	10/2004	Farmer	.....	A01K 1/0254 119/474
2008/0184941 A1 *	8/2008	Hai	.....	A01K 1/0254 119/497
2008/0216760 A1 *	9/2008	Cannon	.....	A01K 1/0254 119/497
2011/0041774 A1 *	2/2011	Northrop	.....	A01K 1/0245 119/497
2013/0233250 A1 *	9/2013	Veness	.....	A01K 1/034 119/496

(Continued)

*Primary Examiner* — Robin V Webster

*Assistant Examiner* — James C Thorn, Sr.

(74) *Attorney, Agent, or Firm* — Fulwider Patton LLP

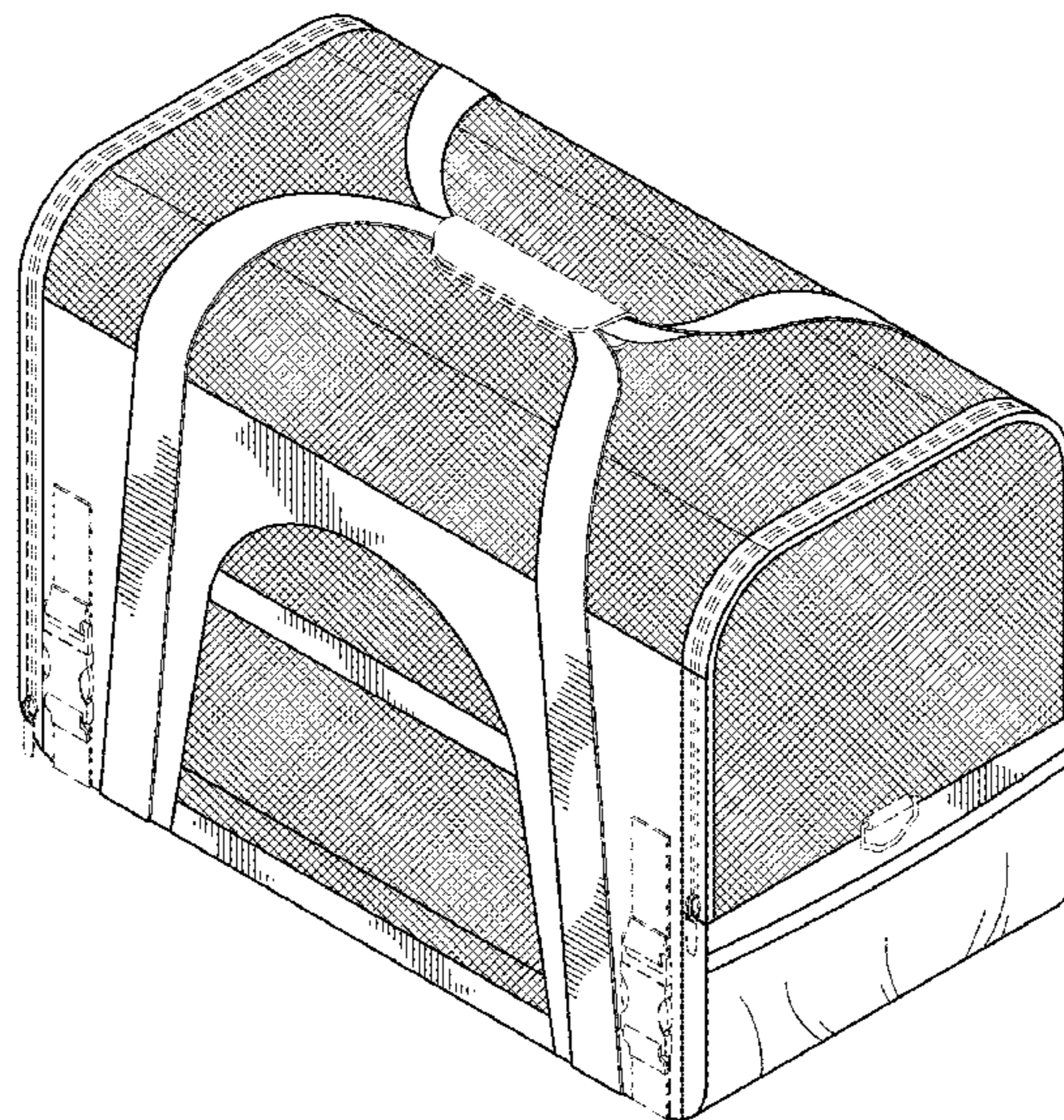
(57) **CLAIM**

The ornamental design for a pet carrier, as shown and described.

**DESCRIPTION**

FIG. 1 is a perspective view of a pet carrier showing our new design;  
FIG. 2 is a front side elevational view thereof;  
FIG. 3 is a rear side elevational view thereof;  
FIG. 4 is a left side elevational view thereof;  
FIG. 5 is a right side elevational view thereof;  
FIG. 6 is a top plan view thereof; and,  
FIG. 7 is a bottom plan view thereof.  
The broken lines shown in the drawings form no part of the claimed design.

**1 Claim, 4 Drawing Sheets**



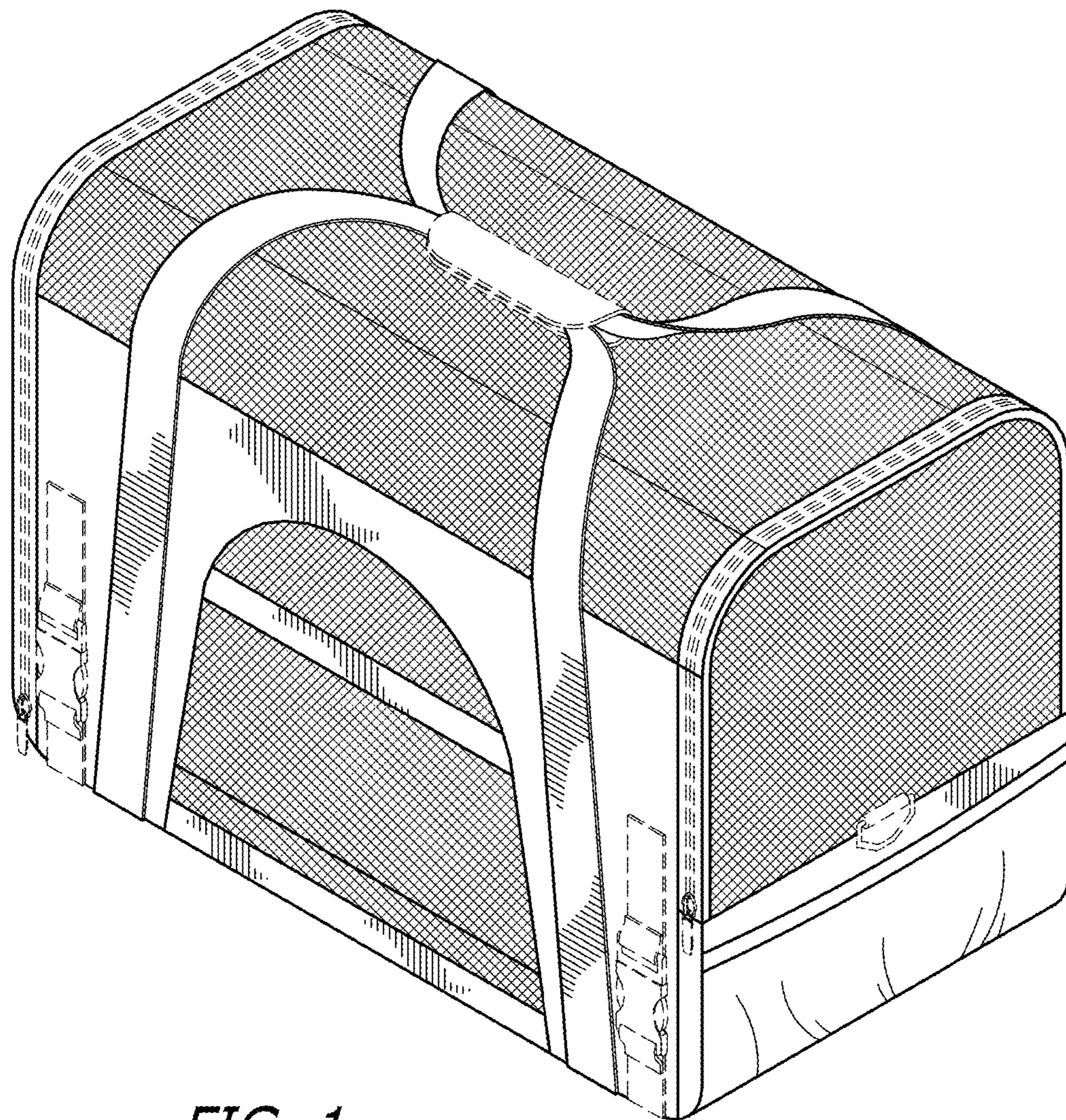
(56)

**References Cited**

U.S. PATENT DOCUMENTS

2014/0230748 A1\* 8/2014 Renforth ..... A01K 1/0254  
119/496  
2014/0261219 A1\* 9/2014 Renforth ..... A01K 1/0254  
119/482

\* cited by examiner



*FIG. 1*

FIG. 2

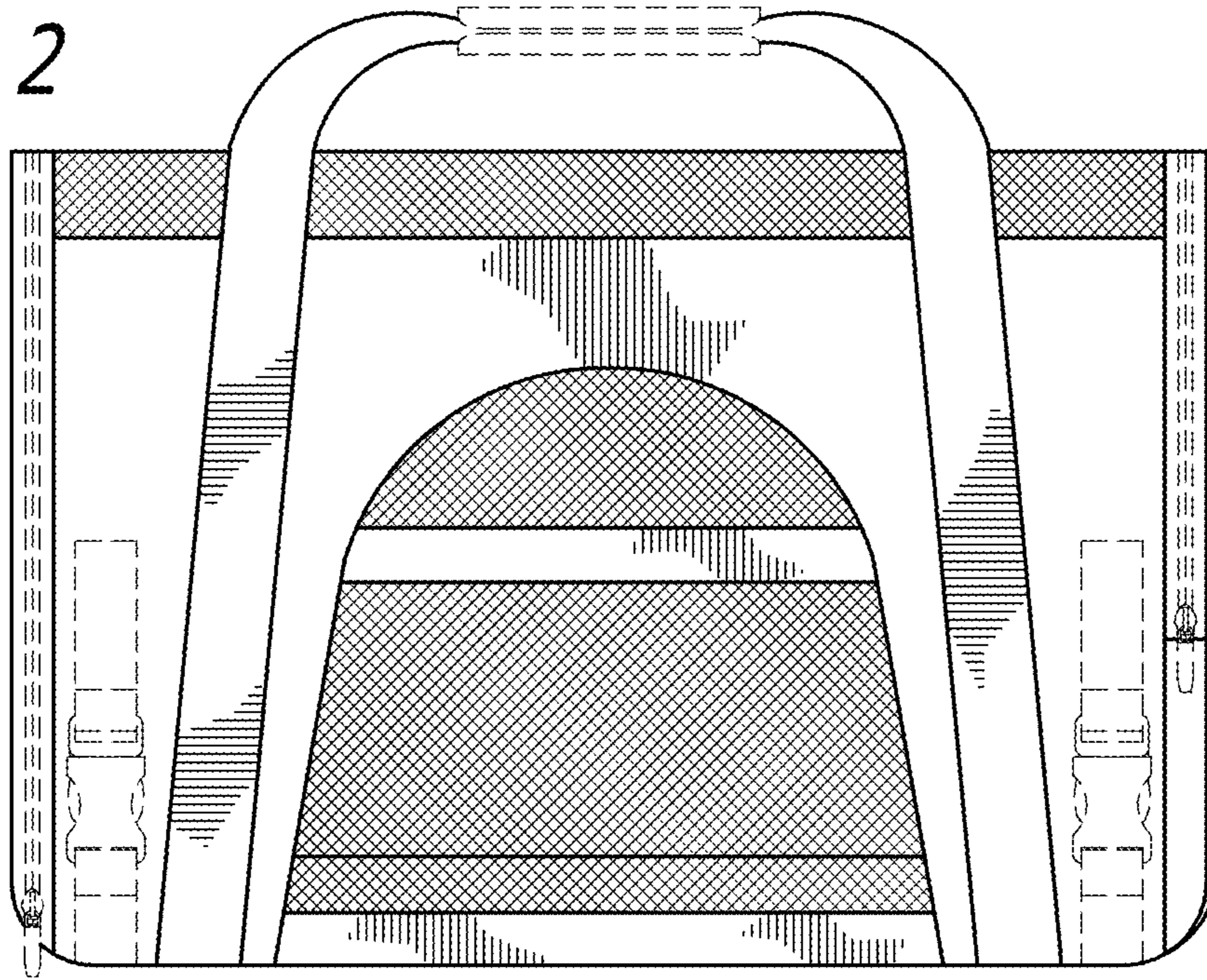
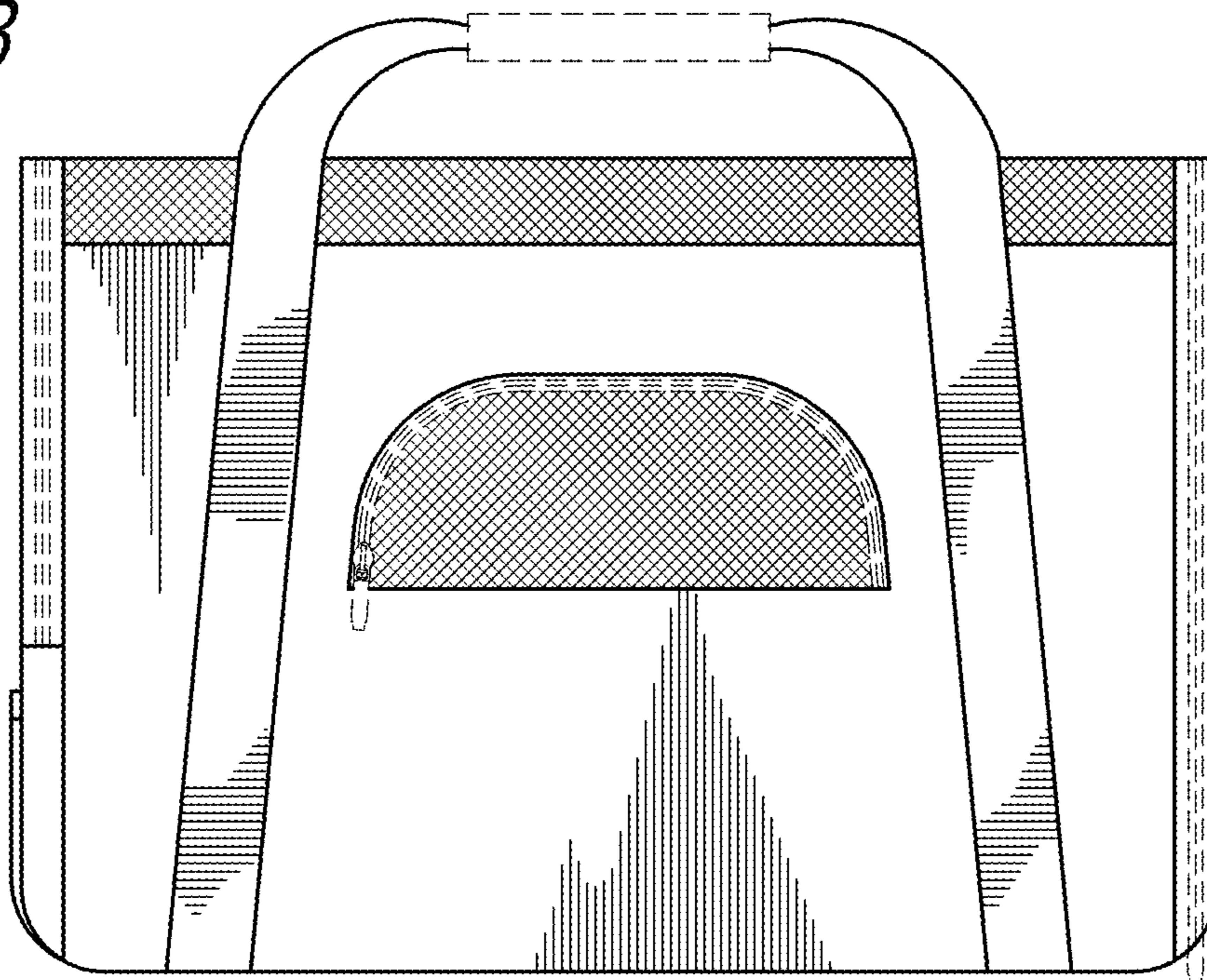
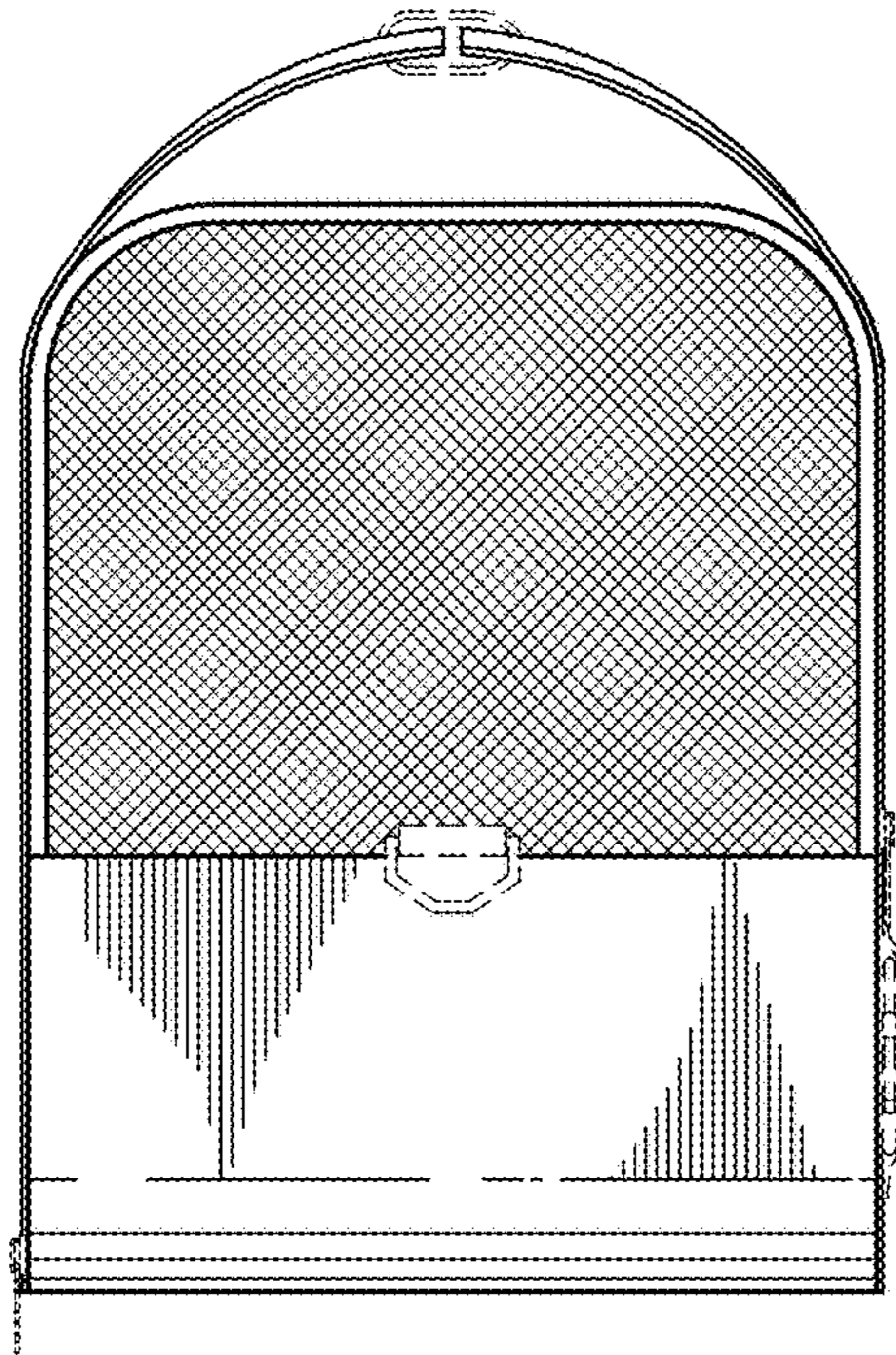
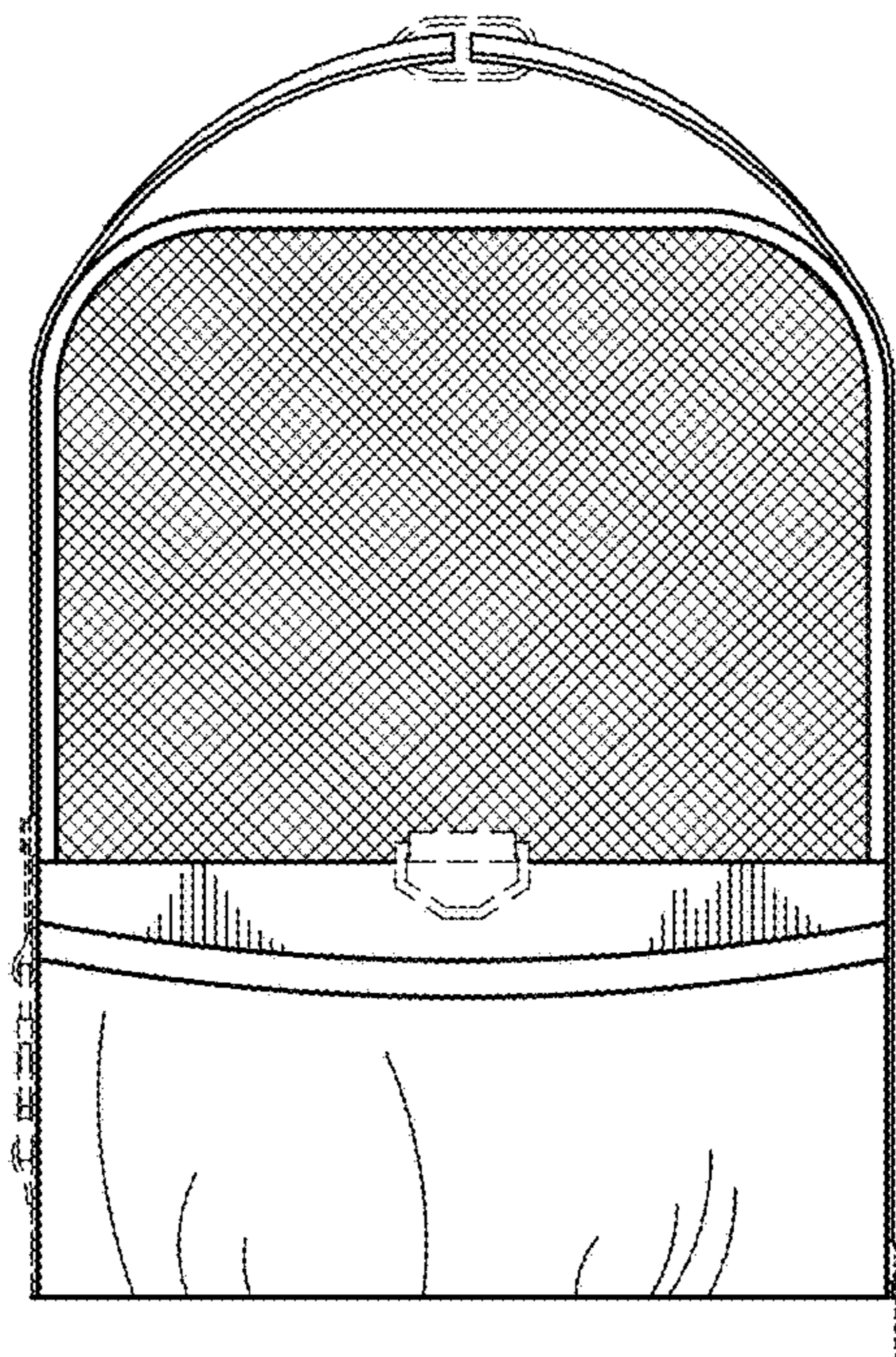


FIG. 3

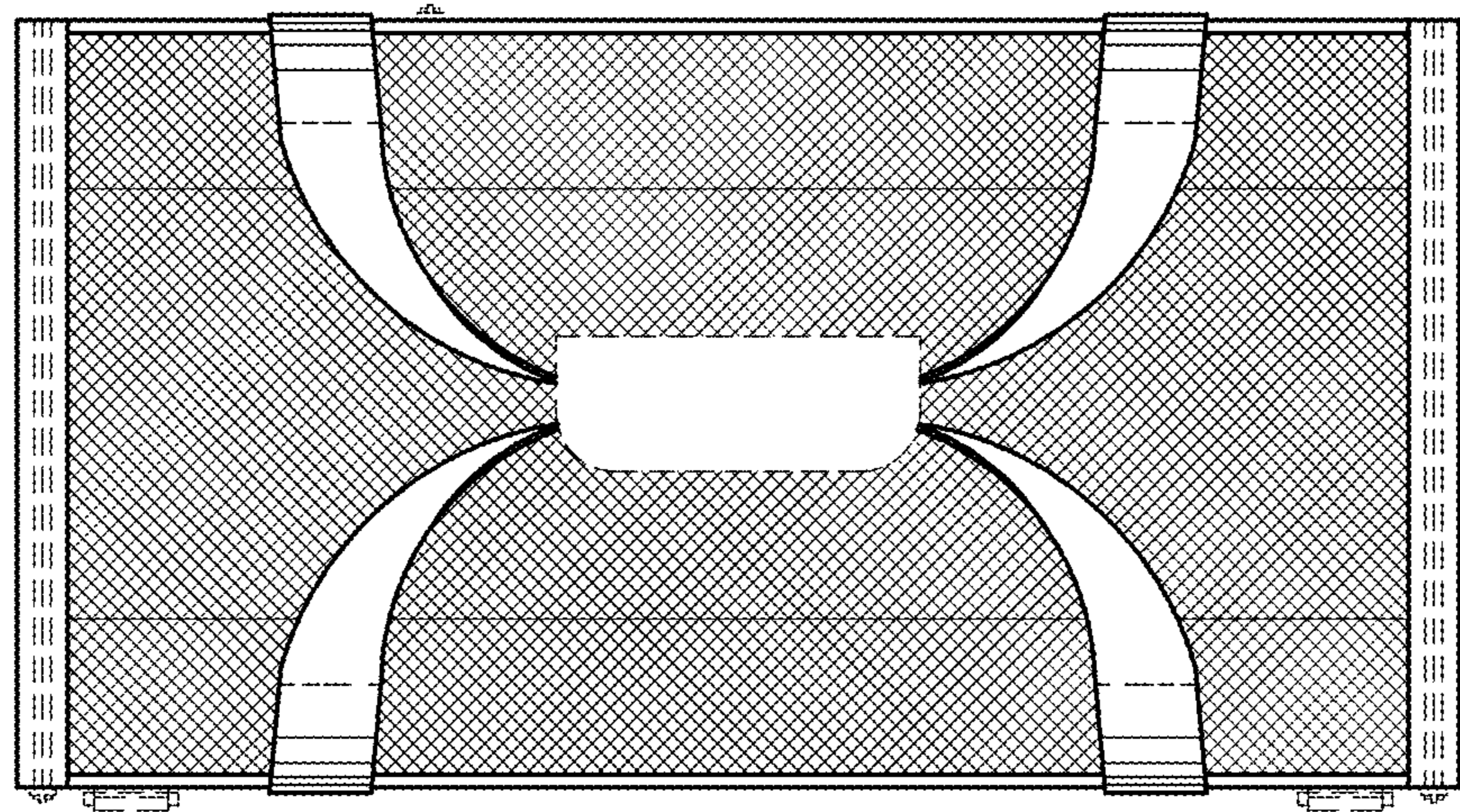




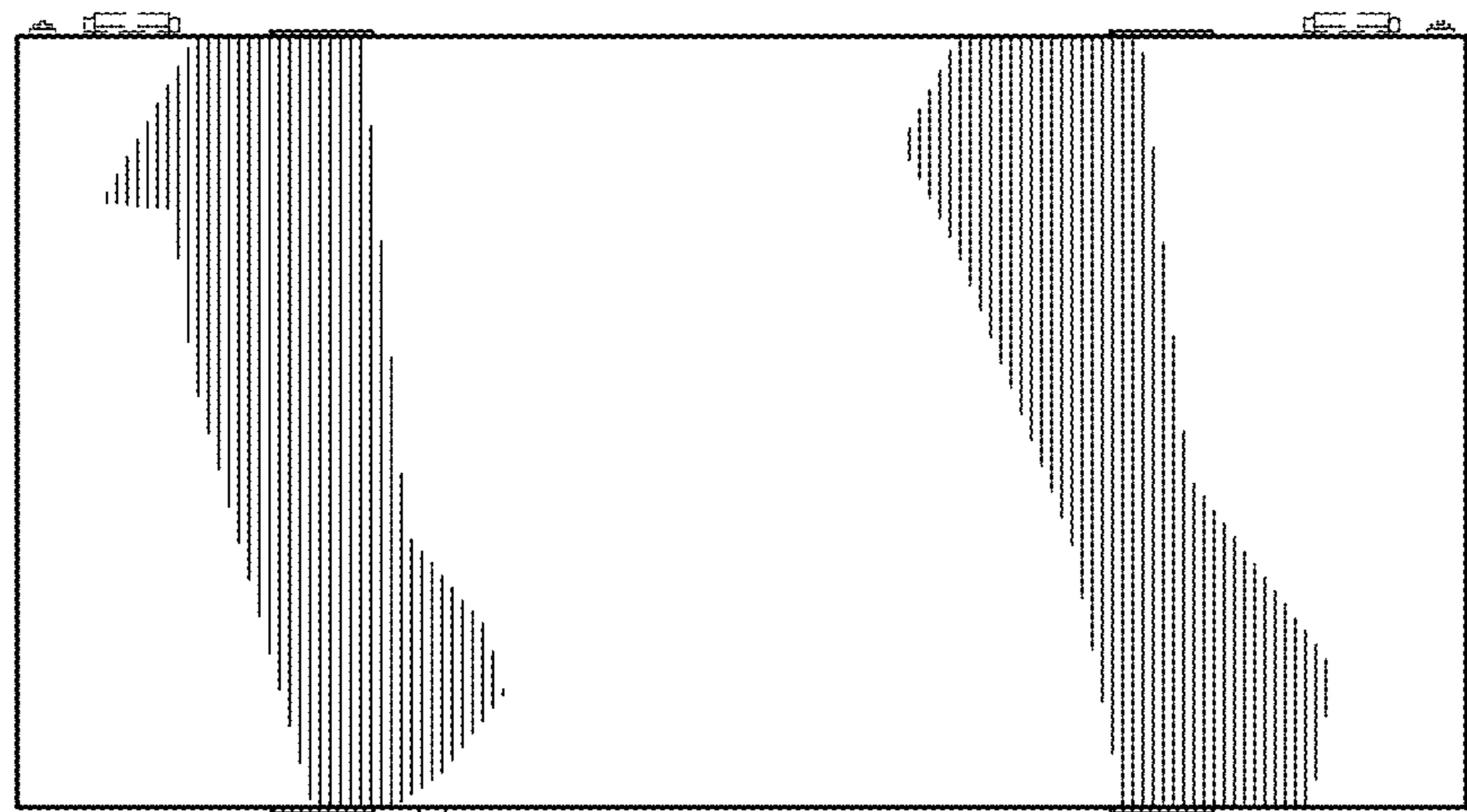
*FIG. 4*



*FIG. 5*



*FIG. 6*



*FIG. 7*