



US00D804732S

(12) **United States Design Patent** (10) **Patent No.:** **US D804,732 S**
Copeland et al. (45) **Date of Patent:** **** Dec. 5, 2017**

(54) **PROTECTIVE HEADGEAR** 2,794,189 A 6/1957 Nesbit et al.
2,796,680 A 6/1957 Wittcoff
(71) Applicant: **TWO GUYS AND A HAT INC.,** 2,861,270 A 11/1958 McCoy
Barrie (CA) 2,893,014 A 7/1959 Mabry
(Continued)

(72) Inventors: **Steve Arthur Copeland, Barrie (CA);**
Len Clement, Palgrave (CA); Mitch
Thompson, Barrie (CA)

(73) Assignee: **TWO GUYS AND A HAT INC.,**
Barrie, Ontario (CA)

(**) Term: **15 Years**

(21) Appl. No.: **29/575,918**

(22) Filed: **Aug. 30, 2016**

Related U.S. Application Data

(63) Continuation of application No. 14/919,001, filed on Oct. 21, 2015.

(51) **LOC (10) Cl.** **29-02**

(52) **U.S. Cl.**
USPC **D29/122**

(58) **Field of Classification Search**
USPC D29/102-107, 122; 2/5, 6.1, 6.3, 6.7,
2/41-412, 414, 422-425, 9, 10; D2/869,
D2/870, 872, 882, 884, 891
CPC A42B 3/00; A42B 3/127; F41H 1/08
See application file for complete search history.

(56) **References Cited**

U.S. PATENT DOCUMENTS

1,378,977 A * 5/1921 Parmley A42B 1/02
2/175.4
1,852,930 A 4/1932 Hoppe
1,894,213 A 1/1933 Ostolaza
2,143,483 A 1/1939 Iglauer
2,442,052 A 5/1948 Mauro
2,698,434 A 1/1955 Davia
2,717,384 A 9/1955 Frothingham
2,781,517 A 2/1957 Fisher

FOREIGN PATENT DOCUMENTS

DE 19518961 11/1996
GB 383137 11/1961
JP 3149676 3/2009

OTHER PUBLICATIONS

Unpublished Patent Application entitled Riding Helmet With Variable Thickness Impact Absorbing Material Providing Improved Appearance, filed on Aug. 24, 2015, listing Ronald S. Friedson as the inventor.

Primary Examiner — Randall Gholson

(74) *Attorney, Agent, or Firm* — Sand & Sebolt

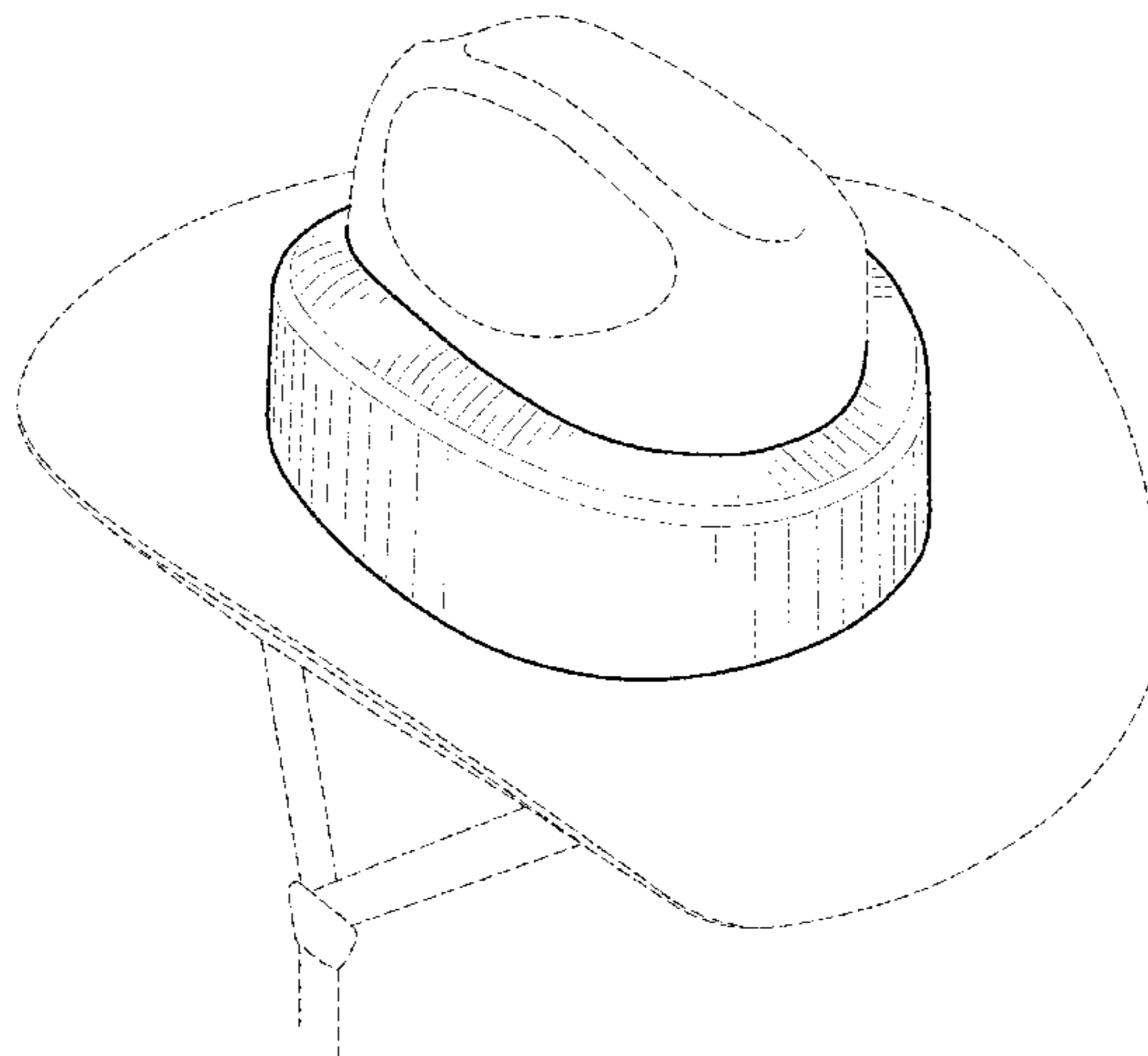
(57) **CLAIM**

The ornamental design for a protective headgear, as shown and described.

DESCRIPTION

FIG. 1 is a front left perspective view of a protective headgear in accordance with the current invention;
FIG. 2 is a front right perspective view thereof;
FIG. 3 is a front elevation view thereof;
FIG. 4 is a rear elevation view thereof;
FIG. 5 is a top plan view thereof;
FIG. 6 is a bottom plan view thereof;
FIG. 7 is a right side elevation view taken along line 7-7 of FIG. 5 thereof; and,
FIG. 8 is a left side elevation view taken along line 8-8 of FIG. 5.
The broken lines illustrate the environment in which the protective headgear is used and form no part of the claimed design.

1 Claim, 7 Drawing Sheets



(56)

References Cited

U.S. PATENT DOCUMENTS

3,103,015 A	9/1963	Plastino	7,966,673 B1	6/2011	Gibson
3,286,275 A	11/1966	Marchello	8,060,951 B2	11/2011	Smith
4,439,871 A	4/1984	Plastino	8,205,272 B2	6/2012	Green et al.
4,581,773 A	4/1986	Cunnane	8,453,269 B2	6/2013	Hampton, II
4,619,003 A	10/1986	Asbury	8,613,114 B1	12/2013	Olivares Velasco
5,226,180 A	7/1993	Leach	8,763,166 B1	7/2014	Olivares Velasco
5,437,064 A	8/1995	Hamaguchi	8,776,273 B2	7/2014	Krause
5,519,895 A	5/1996	Barnes, Jr.	8,978,167 B2	3/2015	Blair
5,713,083 A	2/1998	King	8,997,265 B2	4/2015	Olivares Velasco
5,718,004 A	2/1998	Broersma et al.	9,149,085 B2	10/2015	Bryan et al.
5,826,278 A	10/1998	King	D749,307 S *	2/2016	Denny A42B 1/205
5,867,840 A	2/1999	Hirosawa et al.			D2/887
5,887,289 A	3/1999	Theoret	D752,824 S *	3/2016	Vito D29/122
6,240,570 B1	6/2001	Wu	D768,966 S *	10/2016	Denny D2/887
6,260,204 B1	7/2001	Morrissey	2004/0226078 A1 *	11/2004	Lahman A42B 1/08
6,266,827 B1	7/2001	Lampe et al.			2/413
6,360,376 B1	3/2002	Carrington	2007/0000025 A1	1/2007	Picotte
6,374,423 B1	4/2002	Anderson et al.	2007/0130673 A1	6/2007	Wasserkrug et al.
6,453,476 B1	9/2002	Moore, III	2007/0220663 A1	9/2007	Picotte
6,868,560 B2	3/2005	Bostock	2008/0060117 A1	3/2008	Timms
6,880,176 B2	4/2005	Timms et al.	2008/0083053 A1	4/2008	Lin
6,983,488 B2	1/2006	Foote et al.	2011/0302697 A1	12/2011	Jaquez et al.
7,096,512 B2	8/2006	Blair	2011/0307997 A1	12/2011	Blair
7,103,923 B2	9/2006	Picotte	2012/0124718 A1	5/2012	Picotte
7,114,194 B2	10/2006	English	2012/0131731 A1	5/2012	Motroni
D538,513 S *	3/2007	Serratelli D2/888	2013/0031701 A1	2/2013	Krauter
7,406,721 B2	8/2008	Husbands et al.	2013/0047323 A1	2/2013	Ireland
D604,930 S *	12/2009	Denny D2/887	2015/0089725 A1	4/2015	Lowe et al.
D637,378 S *	5/2011	Cornwell D2/887	2015/0237944 A1	8/2015	Floyd, Jr. et al.
			2016/0015104 A1	1/2016	Edwards et al.
			2016/0015112 A1	1/2016	Bryan et al.

* cited by examiner

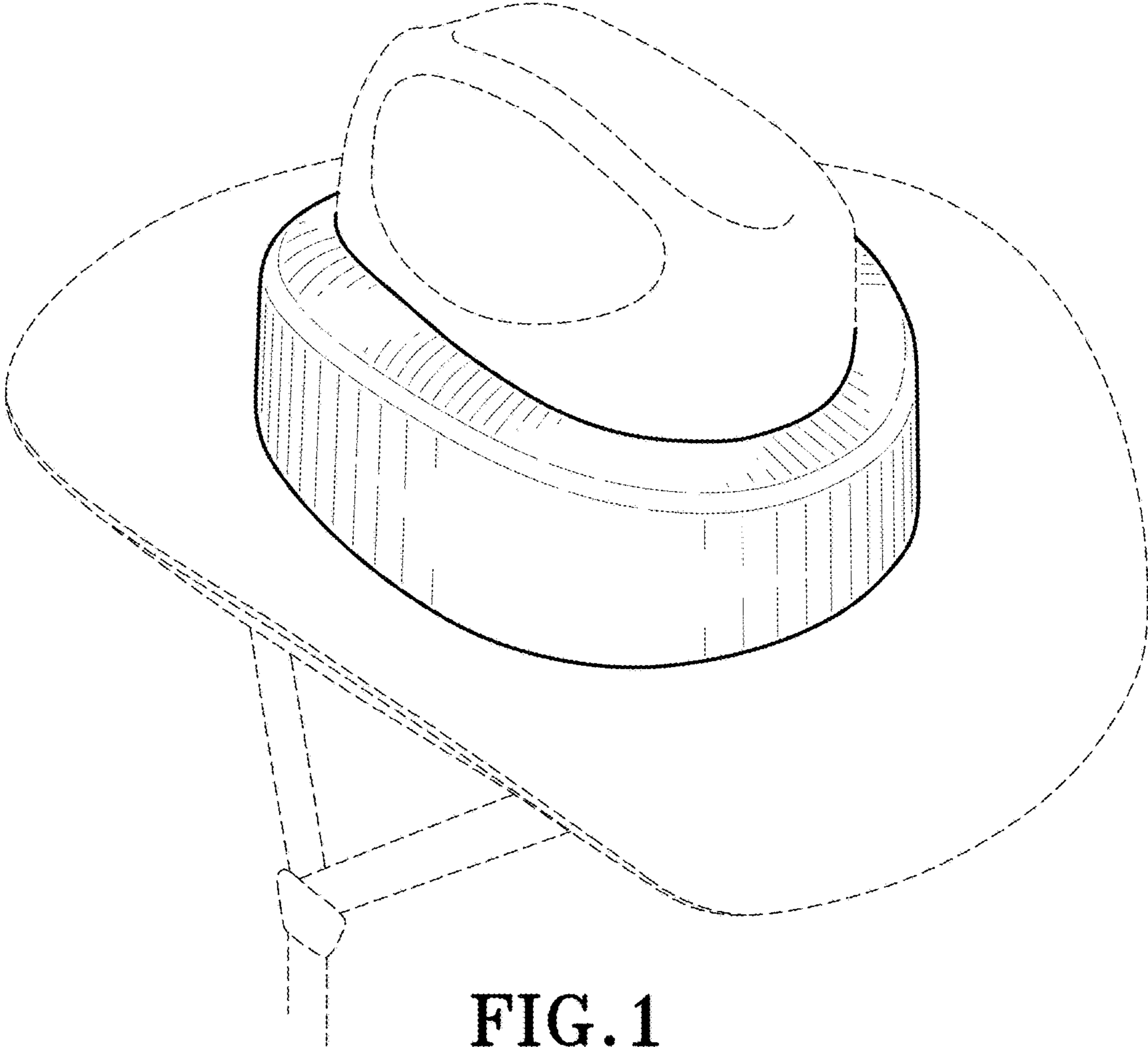
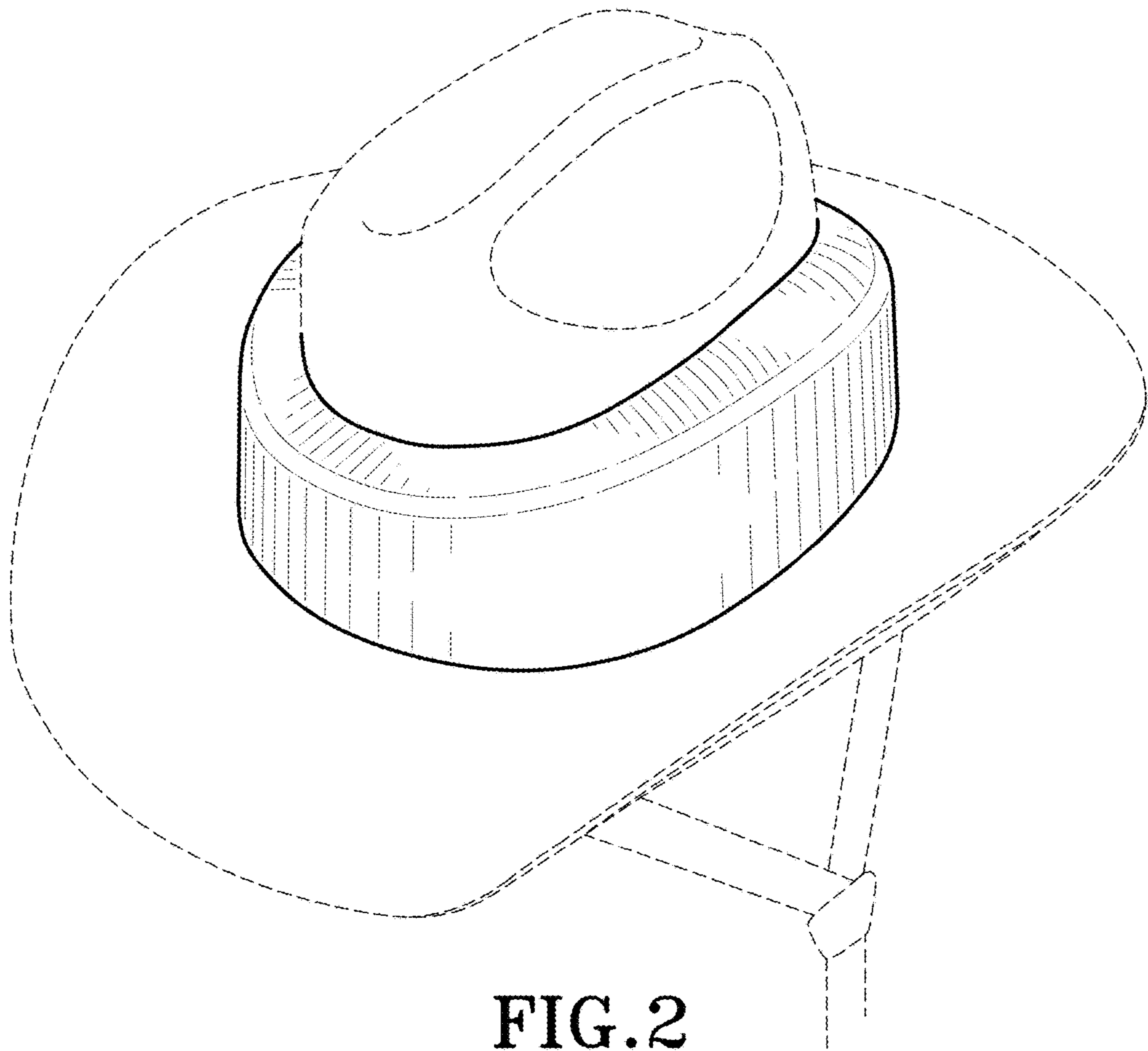


FIG. 1



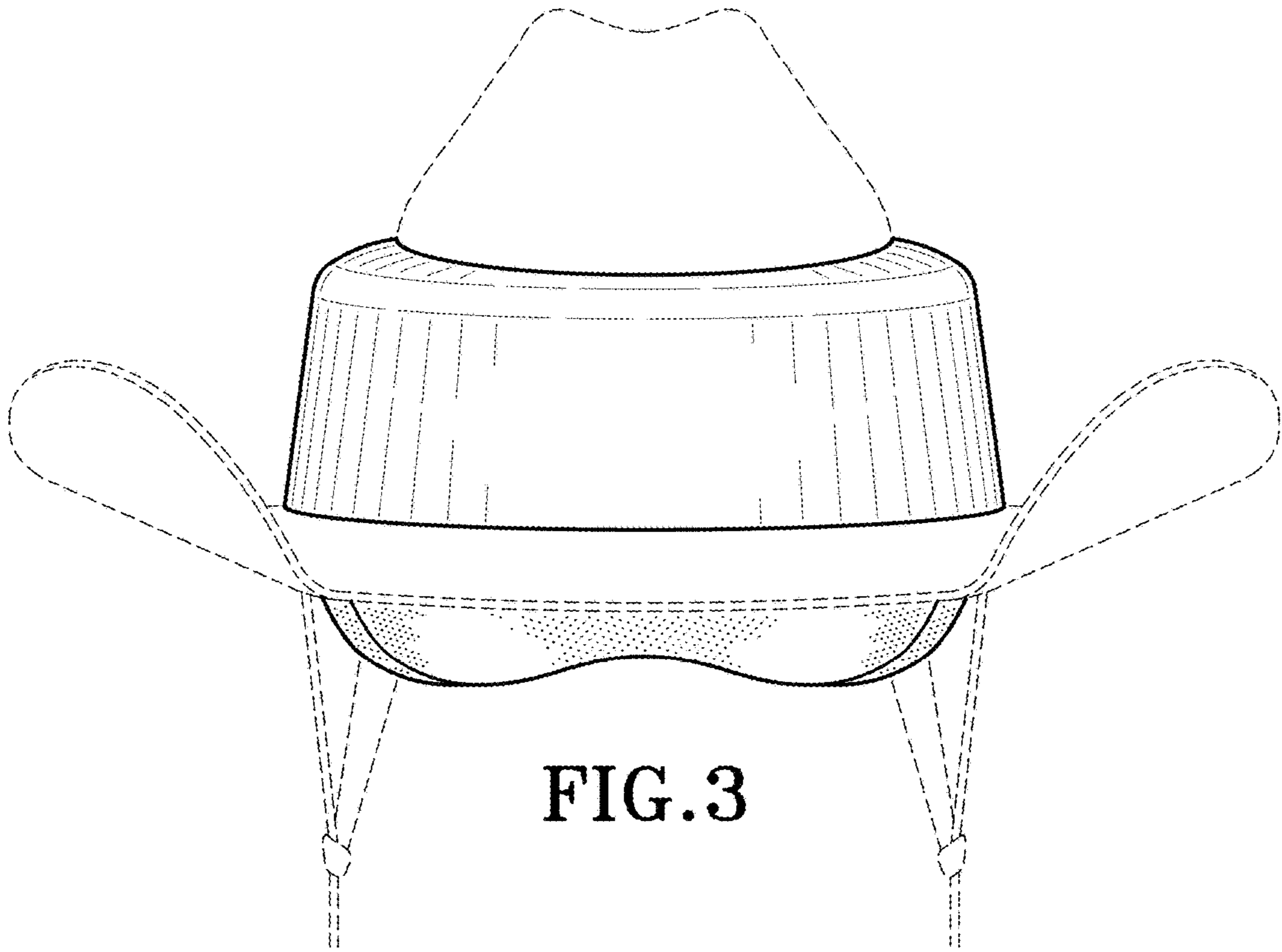


FIG. 3

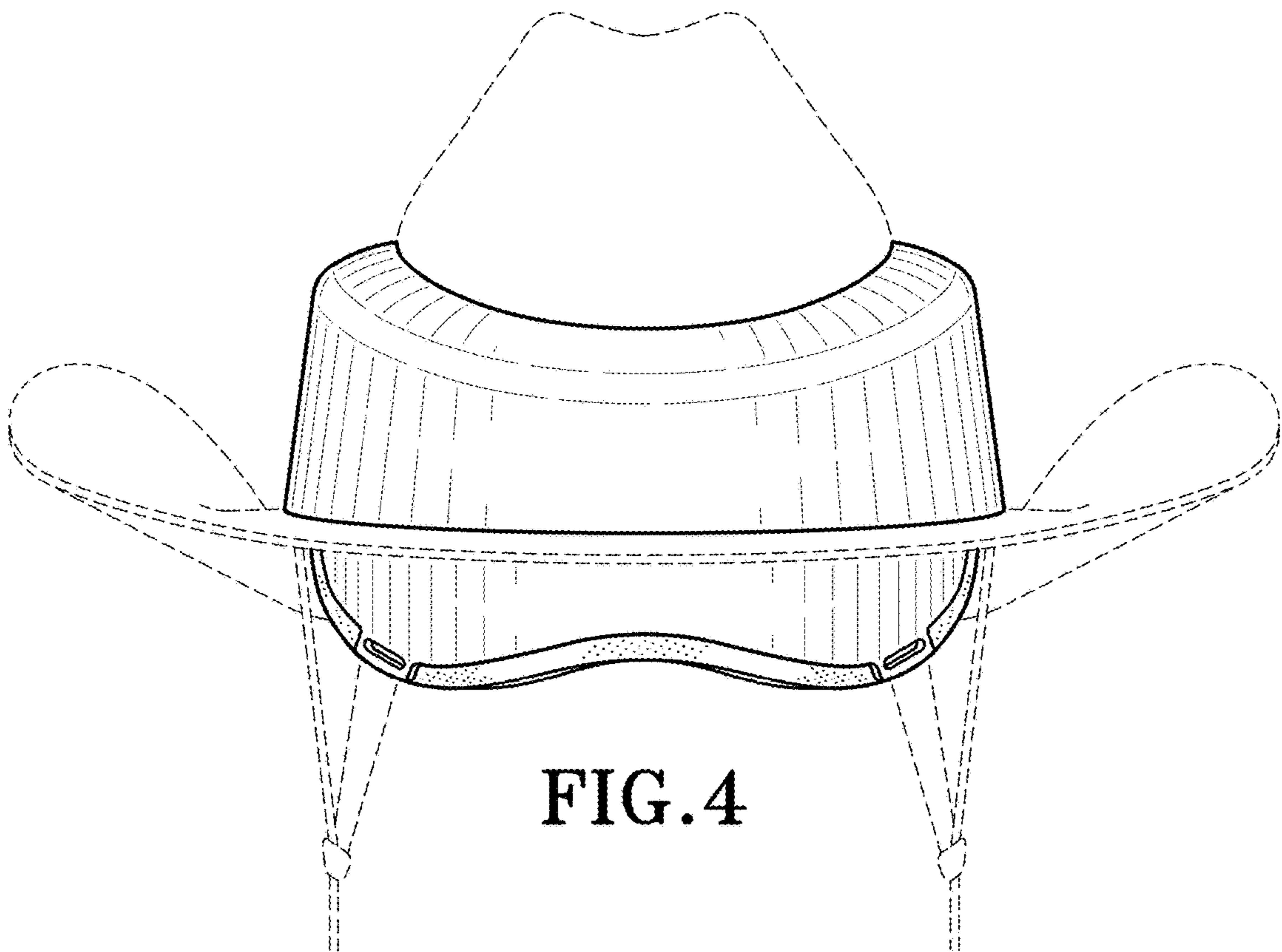


FIG. 4

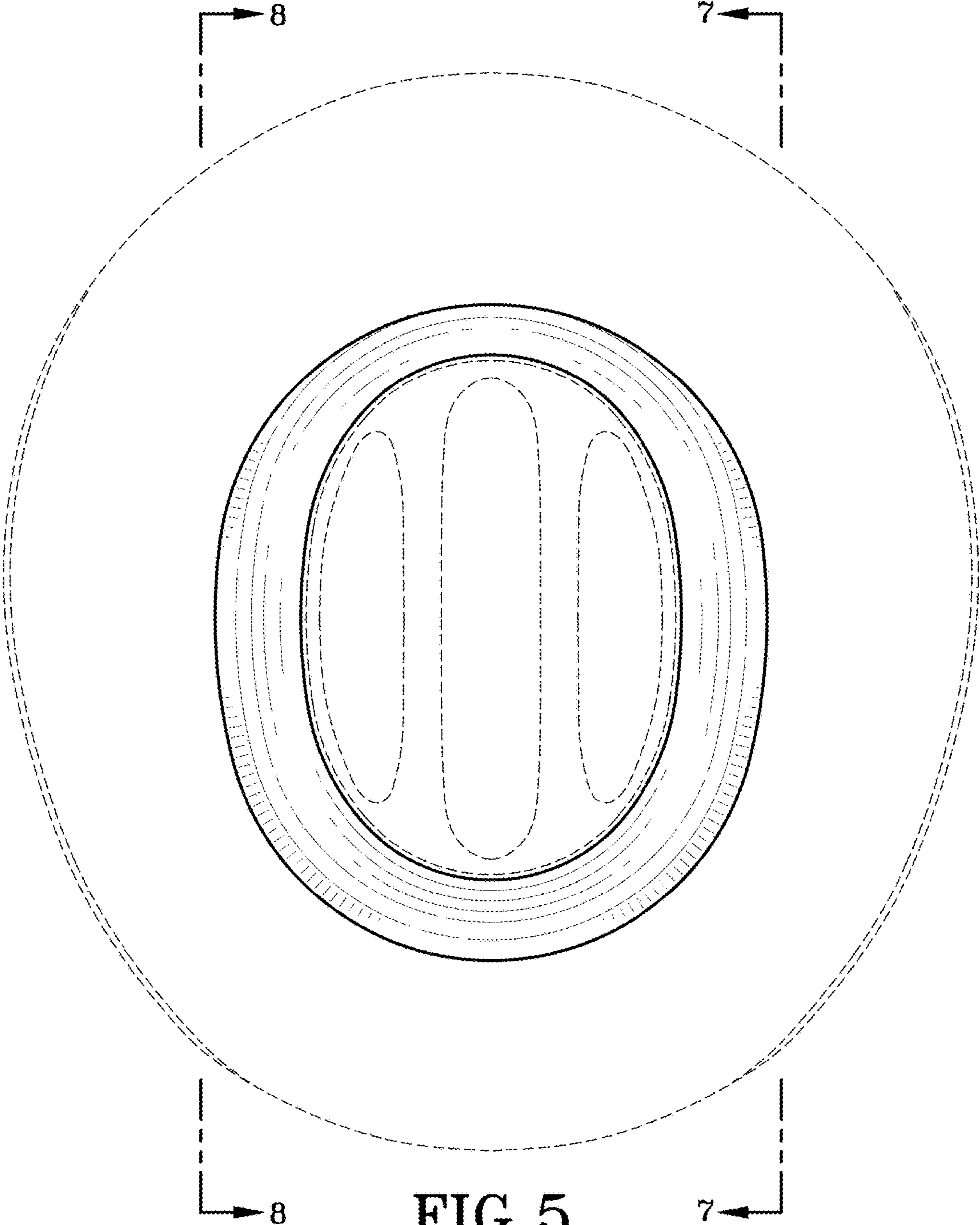


FIG. 5

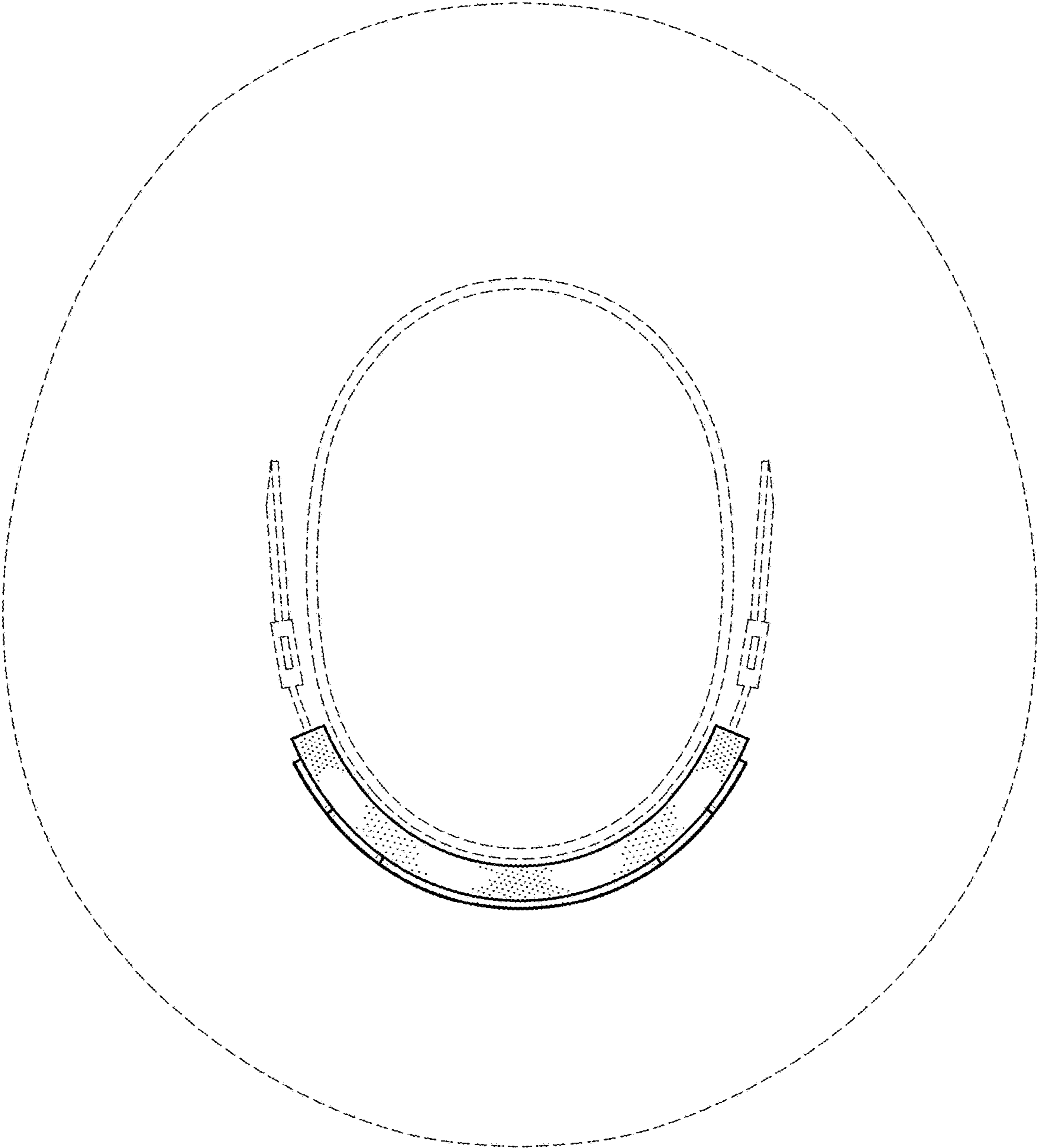


FIG.6

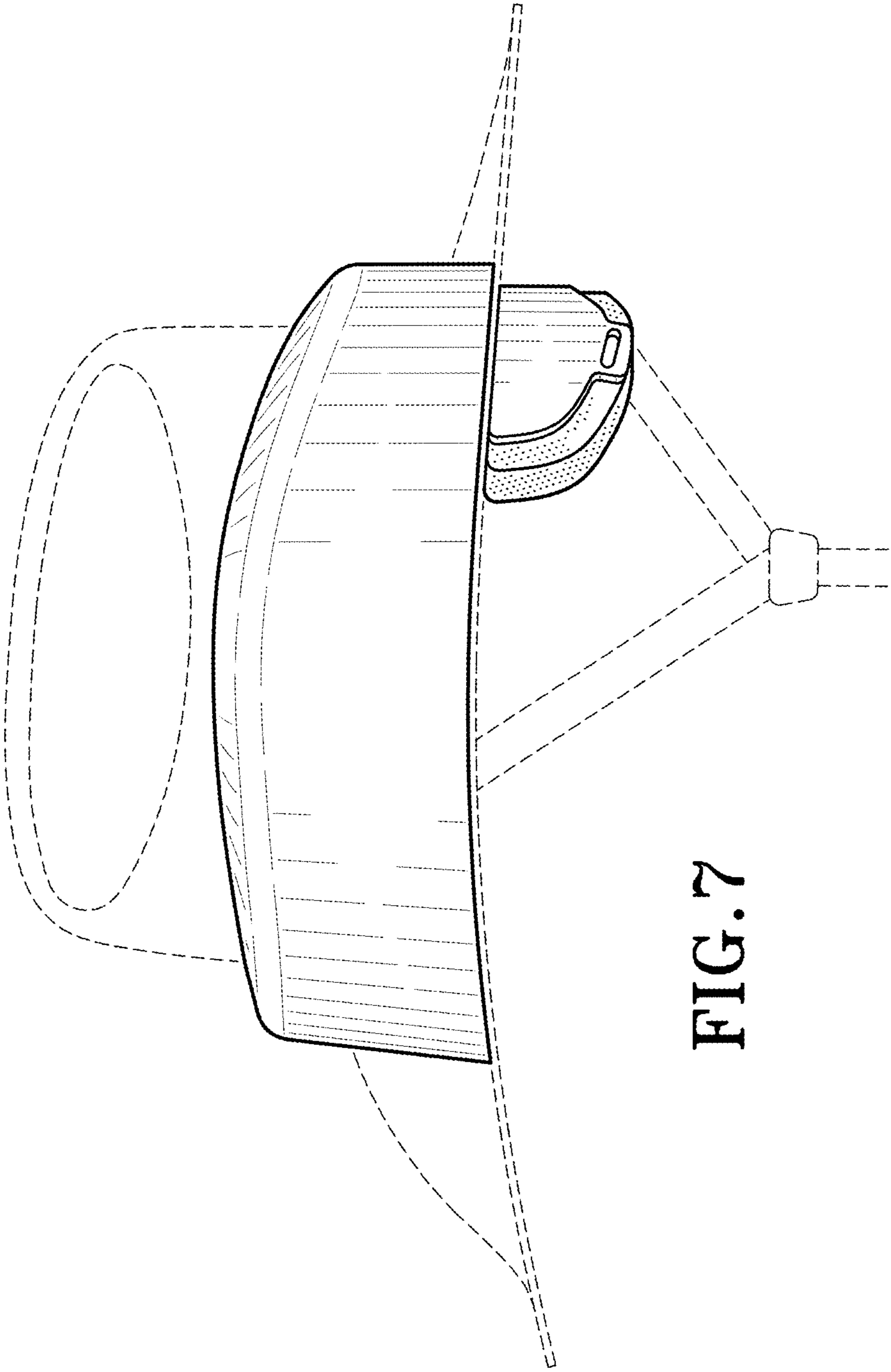


FIG. 7

