



US00D804727S

(12) **United States Design Patent** (10) **Patent No.:** **US D804,727 S**
Zolotnik (45) **Date of Patent:** **** Dec. 5, 2017**

(54) **COMBINED MANICURE SOAKING BASIN AND SUPPORT**

(71) Applicant: **Vladimir Zolotnik**, West Hills, CA (US)

(72) Inventor: **Vladimir Zolotnik**, West Hills, CA (US)

(**) Term: **14 Years**

(21) Appl. No.: **29/508,738**

(22) Filed: **Nov. 10, 2014**

(51) **LOC (10) Cl.** **28-03**

(52) **U.S. Cl.**
USPC **D28/61; D7/505; D7/601**

(58) **Field of Classification Search**
USPC **D28/56, 61, 62, 73; D30/129, 133; 119/61.57; D7/584, 586, 505, 601-603; D24/204, 213**

(Continued)

(56) **References Cited**

U.S. PATENT DOCUMENTS

2,561,001 A * 7/1951 Ward A45D 29/00
132/73
2,580,981 A * 1/1952 Webster A45D 29/00
132/73

(Continued)

OTHER PUBLICATIONS

Belava New Bowl with Disposable Liner, Oct. 11, 2013, www.nailsmag.com/article/97290/belava-debuts-new-bowl-with-disposaaable-liner, 1 page.*

(Continued)

Primary Examiner — Jennifer Rivard

(74) *Attorney, Agent, or Firm* — Fitch, Even, Tabin & Flannery LLP

(57) **CLAIM**

The ornamental design for a combined manicure soaking basin and support, as shown and described.

DESCRIPTION

FIG. 1 is a perspective view of a first embodiment of a combined manicure soaking basin and support showing my new design;

FIG. 2 is an exploded perspective view of the combined manicure soaking basin and support of FIG. 1, showing the manicure soaking basin being lifted from the support;

FIG. 3 is a top plan view of the combined manicure soaking basin and support of FIG. 1;

FIG. 4 is a right side elevation view of the combined manicure soaking basin and support of FIG. 1, the left side elevation view being identical;

FIG. 5 is a bottom plan view of the combined manicure soaking basin and support of FIG. 1;

FIG. 6 is a front elevation cross-sectional view of the manicure soaking basin of FIG. 1, taken along line 6-6 in FIG. 5;

FIG. 7 is a perspective view of a second embodiment of a combined manicure soaking basin and support showing my new design;

FIG. 8 is an exploded perspective view of the combined manicure soaking basin and support of FIG. 7, showing the manicure soaking basin being lifted from the support;

FIG. 9 is a top plan view of the manicure soaking basin of FIG. 7;

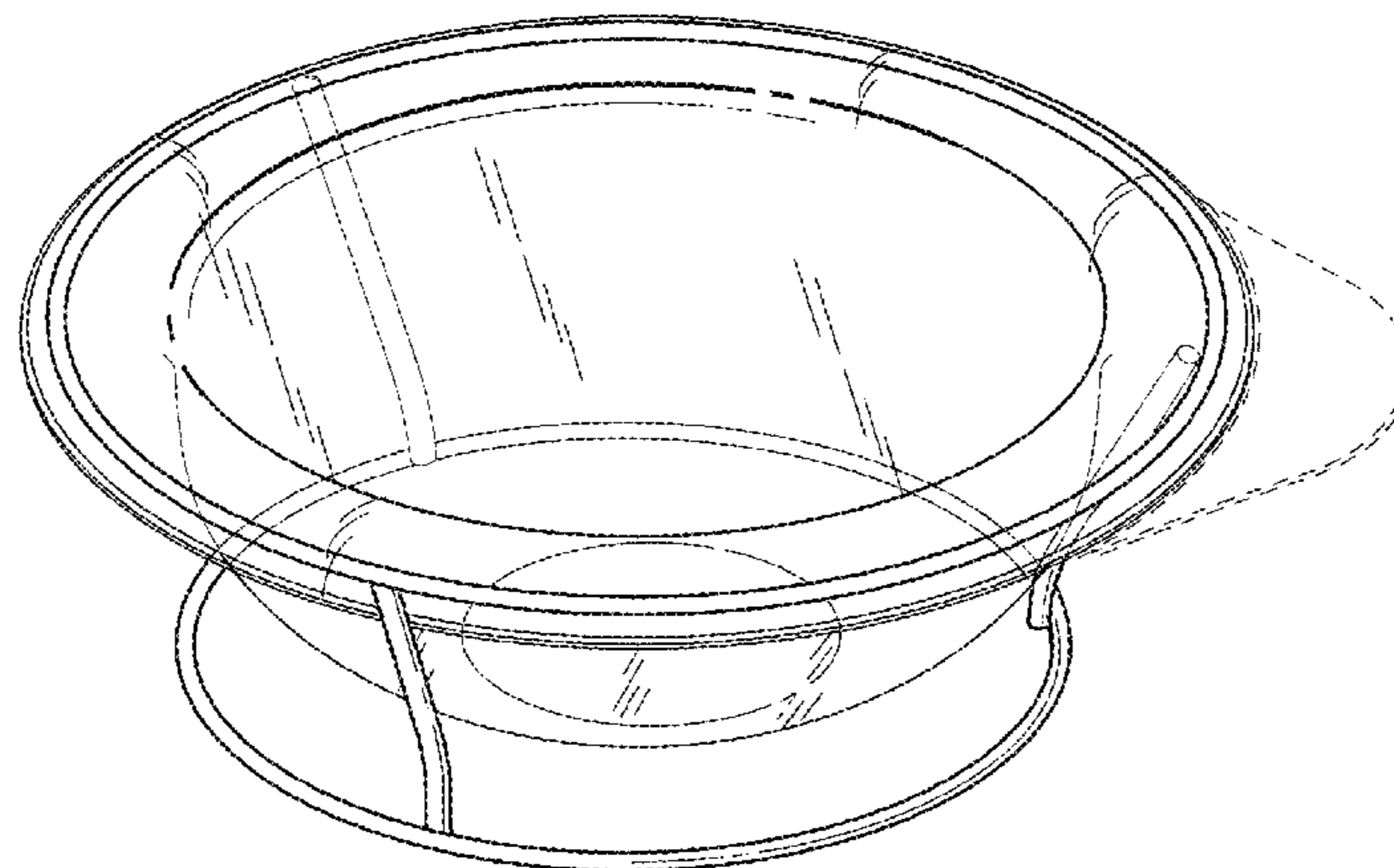
FIG. 10 is a right side elevation view of the manicure soaking basin of FIG. 7, the left side elevation view being identical;

FIG. 11 is a bottom plan view of the manicure soaking basin and support of FIG. 7; and,

FIG. 12 is a front elevation cross-sectional view of the manicure soaking basin of FIG. 7, taken along line 12-12 in FIG. 9.

The broken lines depict unclaimed environmental subject matter and form no part of the claimed design.

1 Claim, 9 Drawing Sheets



(58) **Field of Classification Search**

CPC A61H 35/00; A61H 2201/1688; A61H
33/025; A61H 2205/065; A45D 44/00;
A45D 29/00; A45D 19/06

See application file for complete search history.

(56) **References Cited**

U.S. PATENT DOCUMENTS

D258,631 S * 3/1981 Lax D7/540
D274,880 S * 7/1984 Bentson D7/630
D279,067 S * 6/1985 Kuster D7/554.2
5,886,323 A * 3/1999 Hivale A45D 29/00
132/73.5
D478,474 S * 8/2003 Zettle D7/545
6,695,800 B1 * 2/2004 Gary A45D 29/00
132/74.5
6,772,800 B1 * 8/2004 Garcia A47K 3/022
141/2
D504,178 S * 4/2005 Zolotnik D24/213
6,886,191 B2 * 5/2005 Zolotnik A61H 35/006
4/619
7,559,096 B2 * 7/2009 Zolotnik A61H 35/006
4/580
D660,444 S * 5/2012 Tran D24/204

D693,647 S * 11/2013 Seyers D7/587
D709,619 S * 7/2014 Tran D24/204
8,763,174 B2 * 7/2014 Vinokur C23C 16/4412
4/580
D717,455 S * 11/2014 Tran D24/204
D746,640 S * 1/2016 Myoung D7/527
2009/0094739 A1 * 4/2009 Vinokur A61H 33/025
4/622
2010/0059077 A1 * 3/2010 Gerschman A45D 29/00
132/200
2010/0200012 A1 * 8/2010 Sloan A45D 19/06
132/200
2011/0139169 A1 * 6/2011 Gerschman A45D 44/00
132/200
2013/0167295 A1 * 7/2013 Vinokur C23C 16/4412
4/655

OTHER PUBLICATIONS

Mauviel M'passion Stainless bowl stand, Google text/image search for "bowl stand" date restricted to before Oct. 31, 2013, 1 page.*
Luxway Raised Feeding Bowl stand, Google text/image search for "bowl stand" date restricted to before Oct. 31, 2013, copyright 2012, 1 page.*

* cited by examiner

FIG. 1

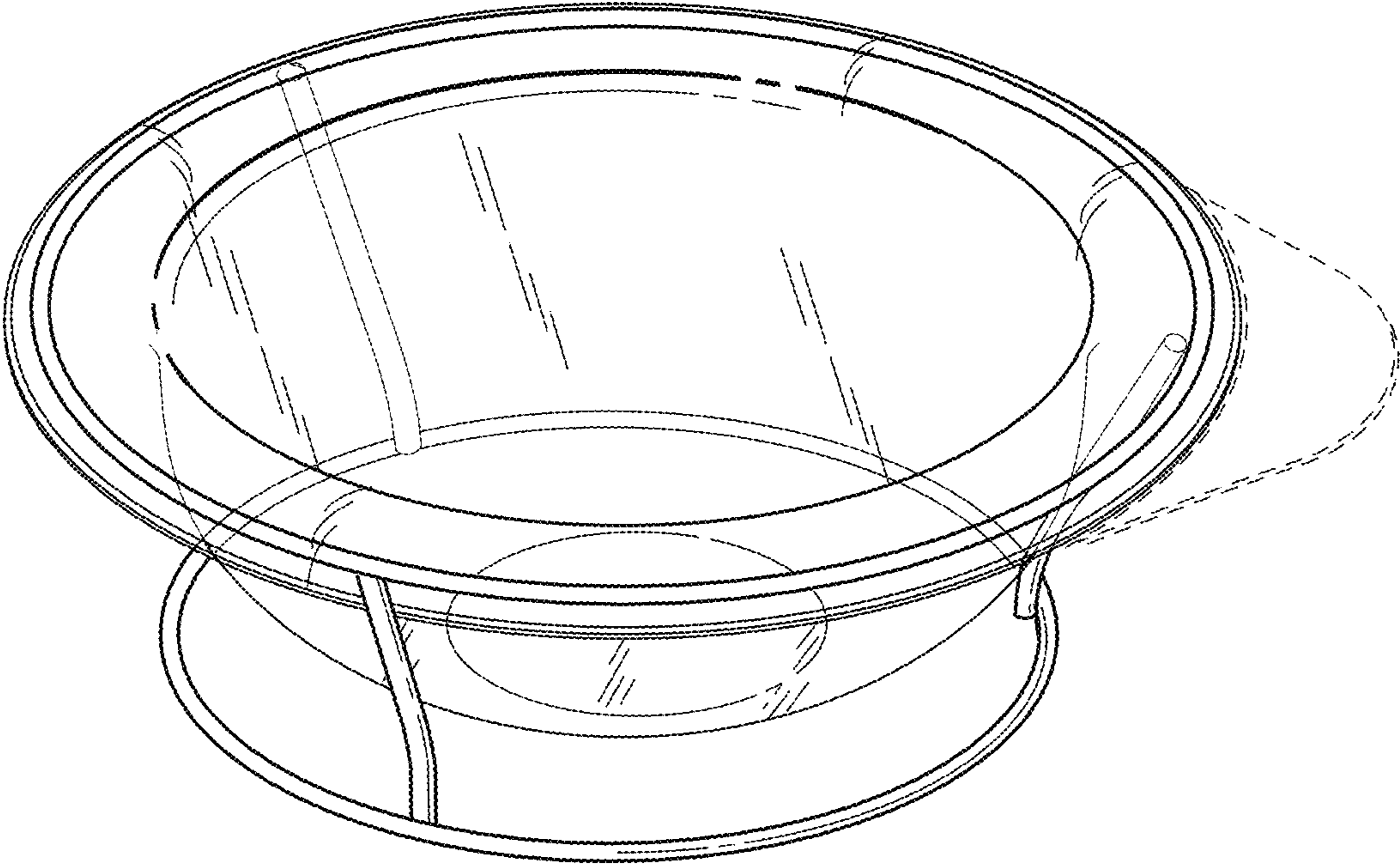


FIG. 2

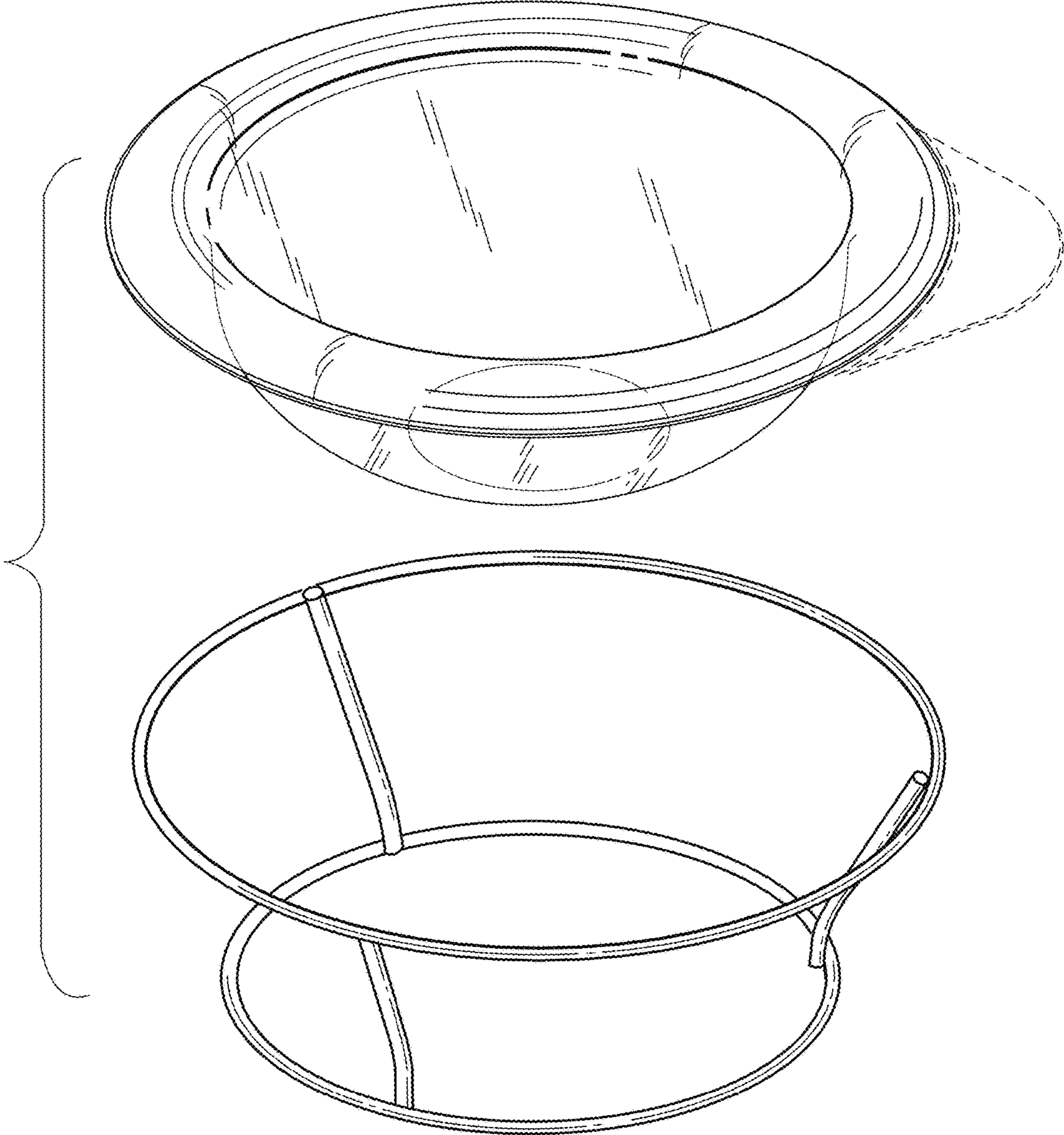


FIG. 3

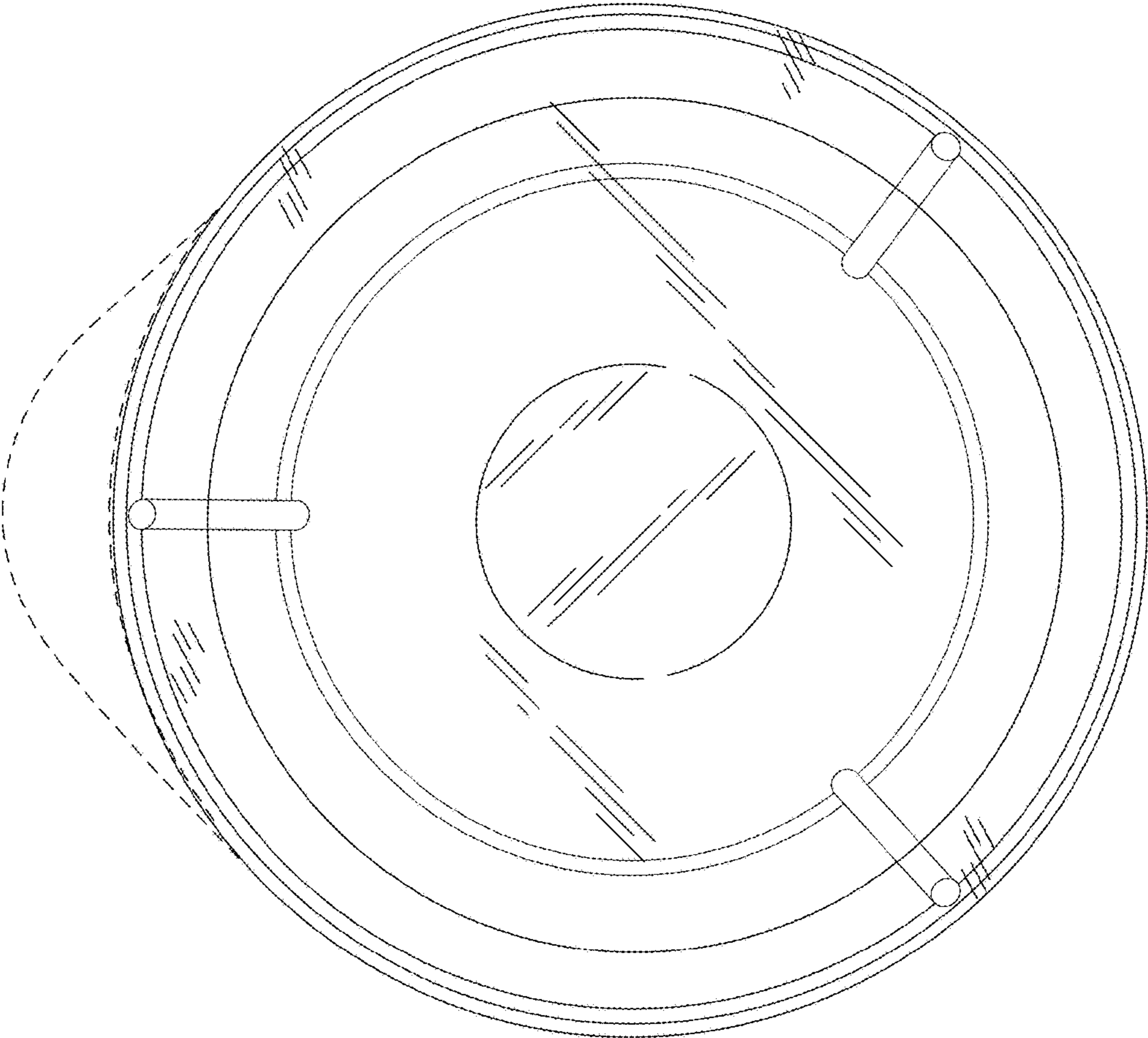


FIG. 4

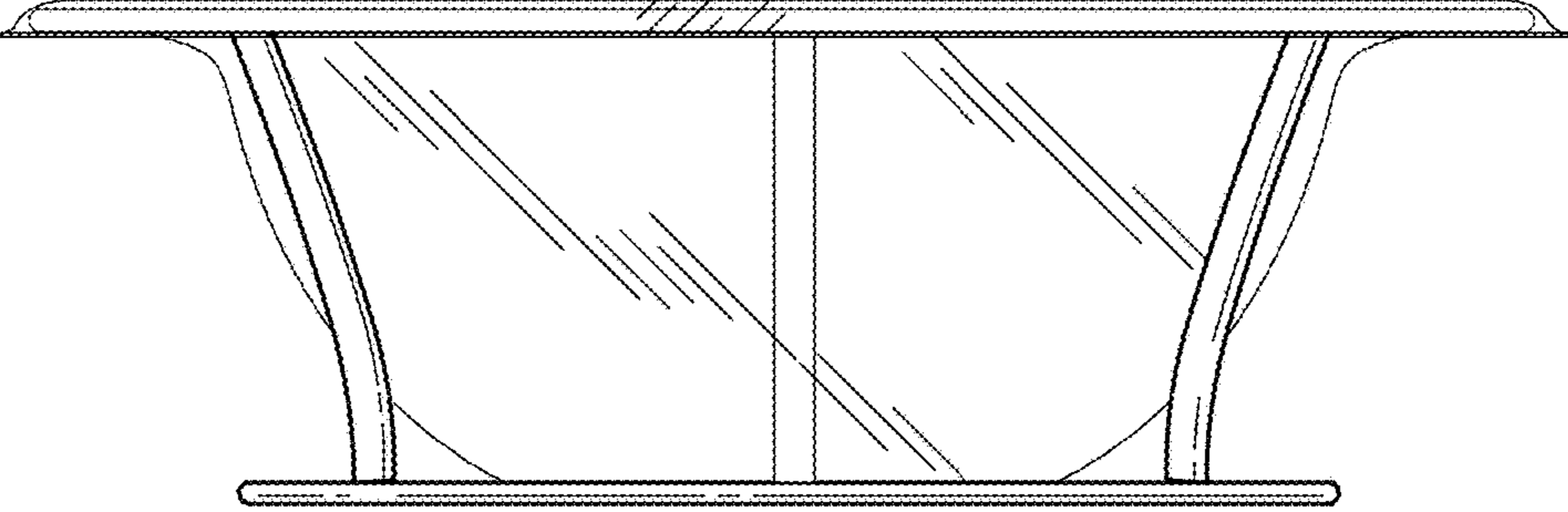


FIG. 5

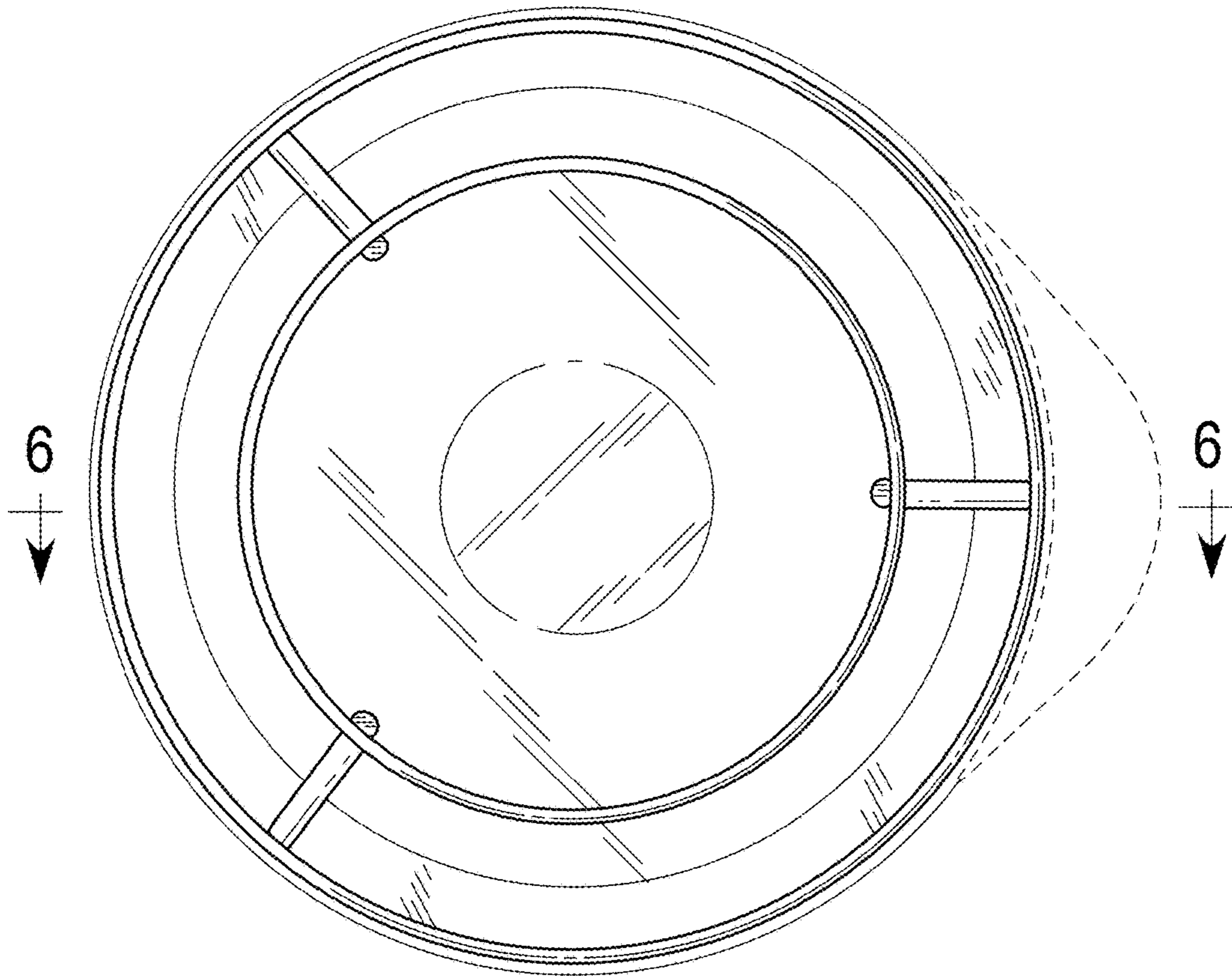


FIG. 6

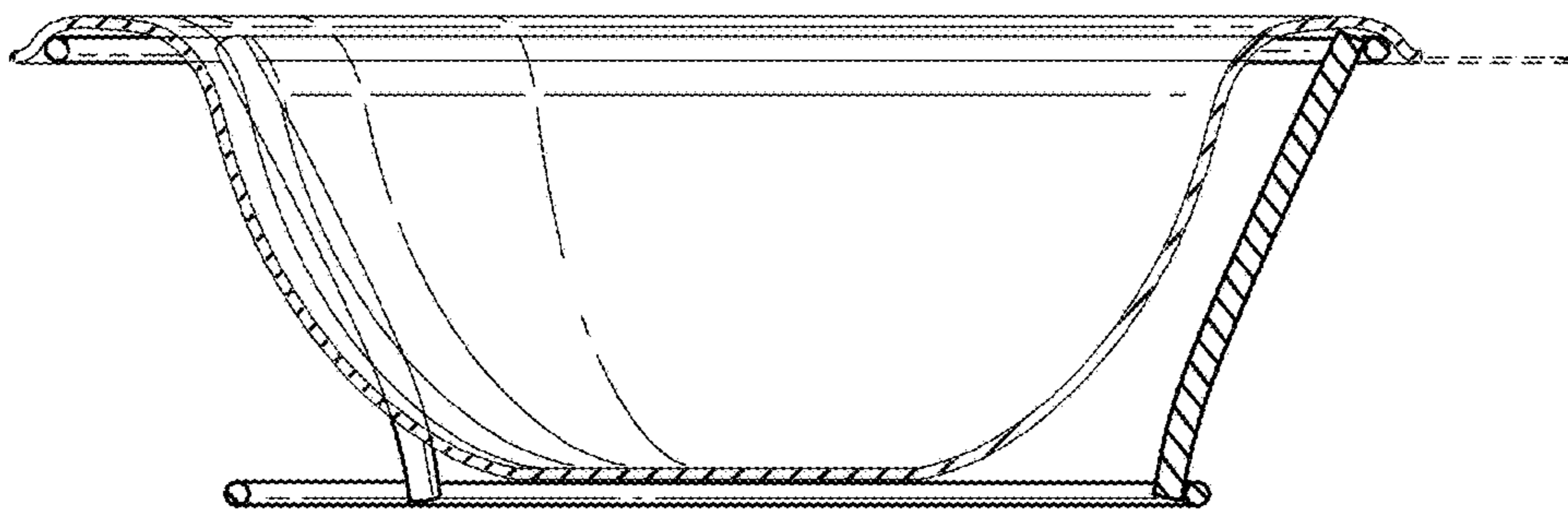


FIG. 7

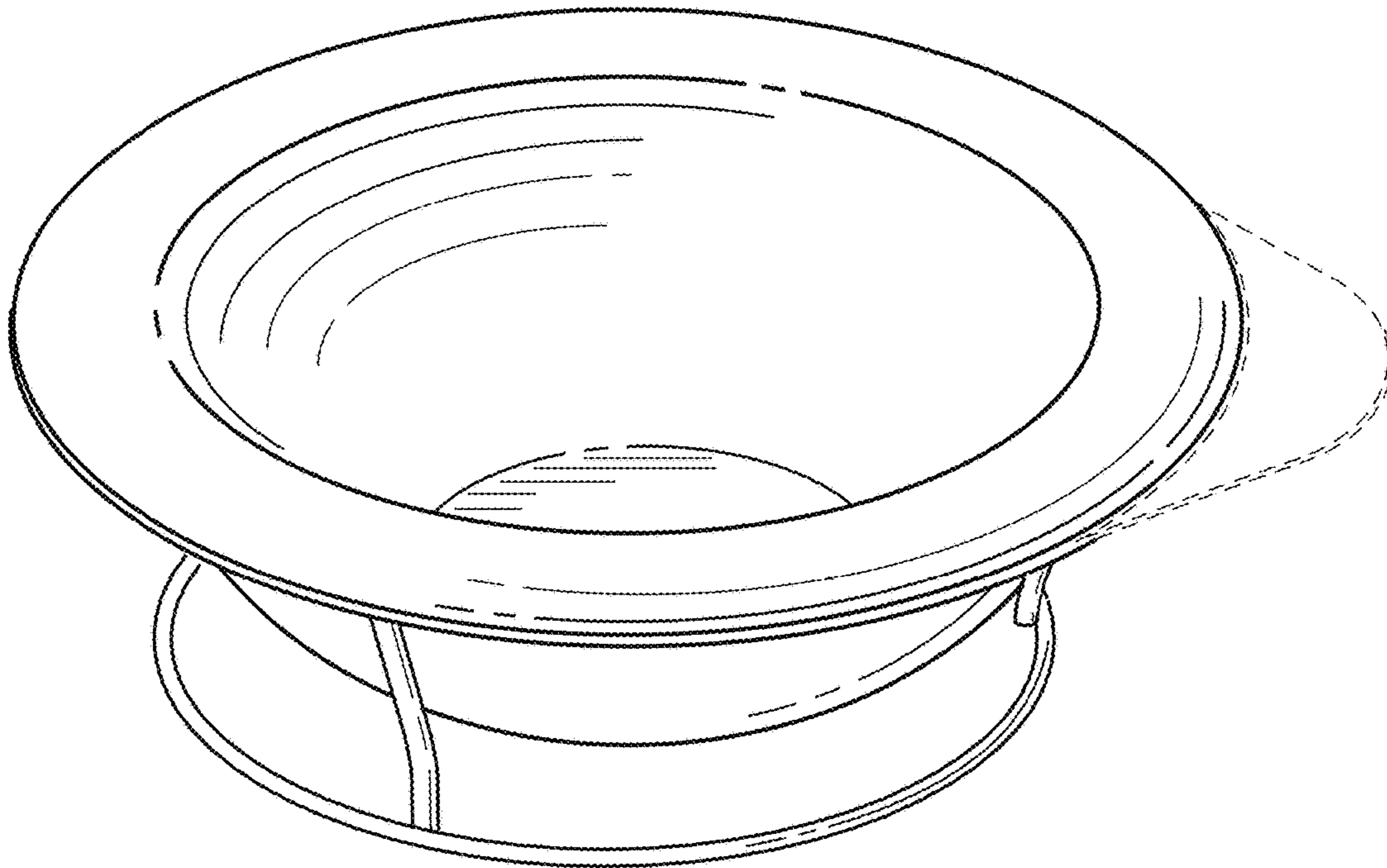


FIG. 8



FIG.9

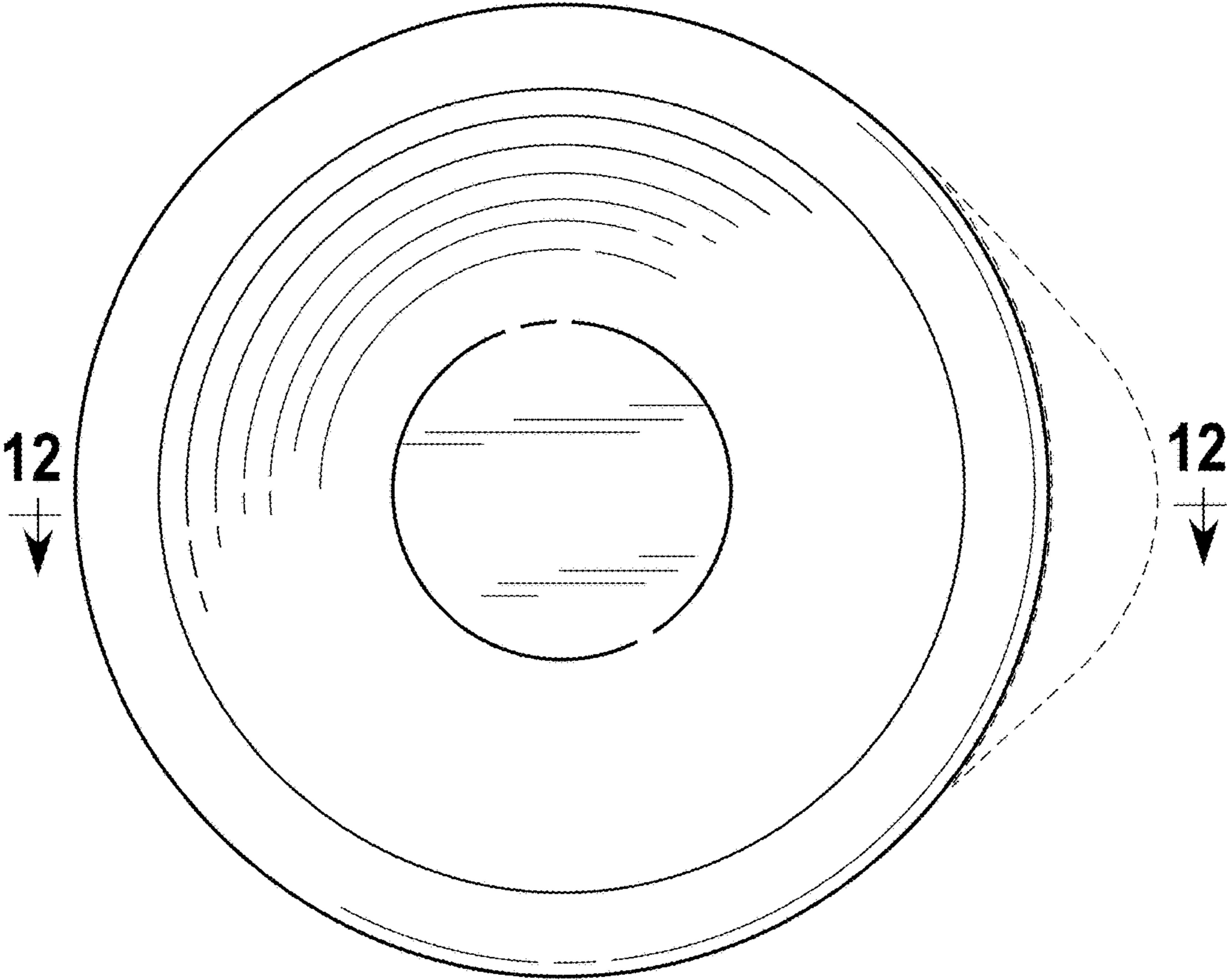


FIG. 10

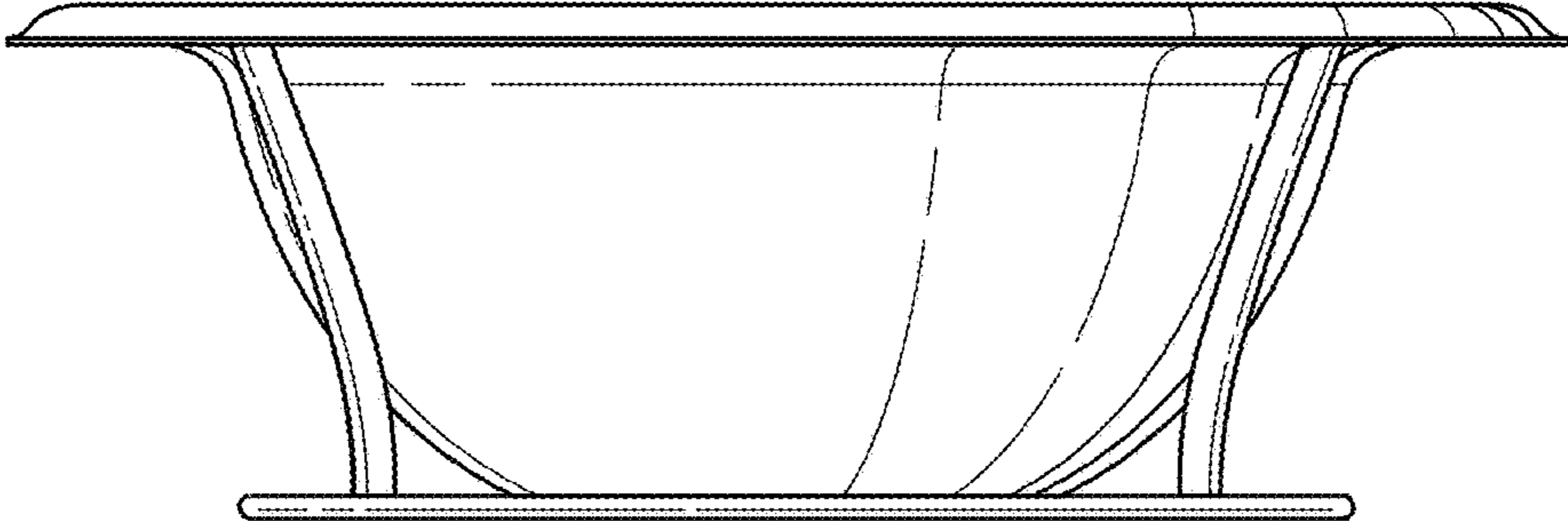


FIG. 11

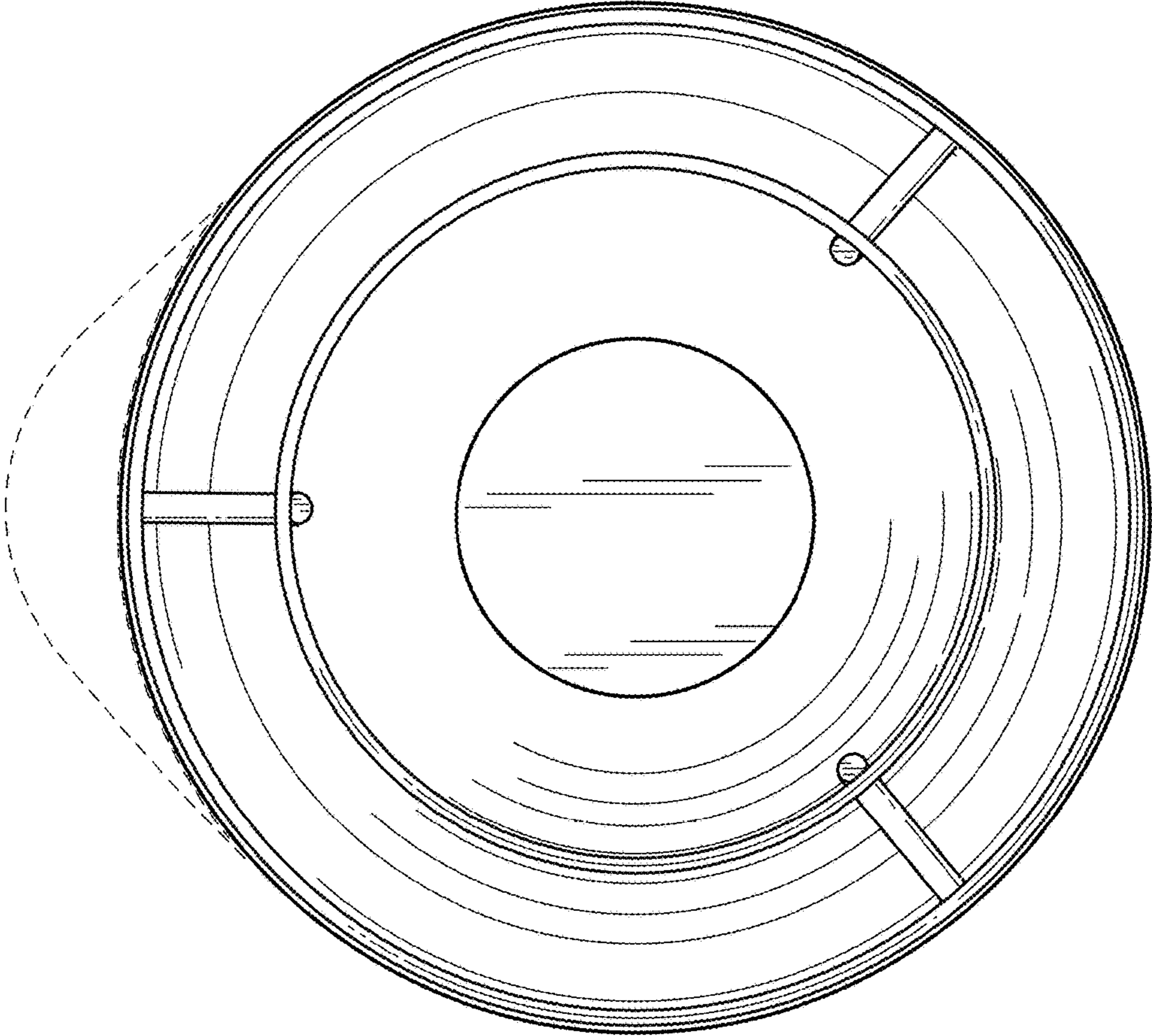


FIG. 12

