



US00D804725S

(12) **United States Design Patent** (10) **Patent No.:** **US D804,725 S**  
**Yue** (45) **Date of Patent:** **\*\* Dec. 5, 2017**

(54) **HAIR STYLING APPARATUS**  
(71) Applicant: **Conair Corporation**, Stamford, CT (US)  
(72) Inventor: **Brenda P. K. Yue**, Kowloon (HK)  
(73) Assignee: **CONAIR CORPORATION**, Stamford, CT (US)  
(\*\*) Term: **15 Years**  
(21) Appl. No.: **29/550,979**  
(22) Filed: **Jan. 8, 2016**  
(51) **LOC (10) Cl.** ..... **28-03**  
(52) **U.S. Cl.**  
USPC ..... **D28/35**  
(58) **Field of Classification Search**  
USPC ..... D28/10, 35  
CPC ... A45D 1/00-1/28; A45D 2/00-2/002; A45D 2/36-2/367; A45D 4/00-4/18  
See application file for complete search history.

(56) **References Cited**  
U.S. PATENT DOCUMENTS

2,074,629	A	3/1937	Ungar
4,479,047	A	10/1984	Khaja et al.
4,695,704	A	9/1987	Andis
5,223,694	A	6/1993	Tsuji et al.
5,664,588	A	9/1997	Berry
5,810,026	A	9/1998	Sham
6,029,677	A	2/2000	Nanba et al.
6,554,000	B2	4/2003	Lin
6,604,532	B1	8/2003	McClendon et al.
6,667,462	B2	12/2003	Lo

(Continued)

FOREIGN PATENT DOCUMENTS

EM	1980173	A2	10/2008
EP	2181618	B1	12/2011
WO	2009030941	A2	3/2009

*Primary Examiner* — Jennifer Rivard  
(74) *Attorney, Agent, or Firm* — Lawrence Cruz; Joseph W. Schmidt, P.C.

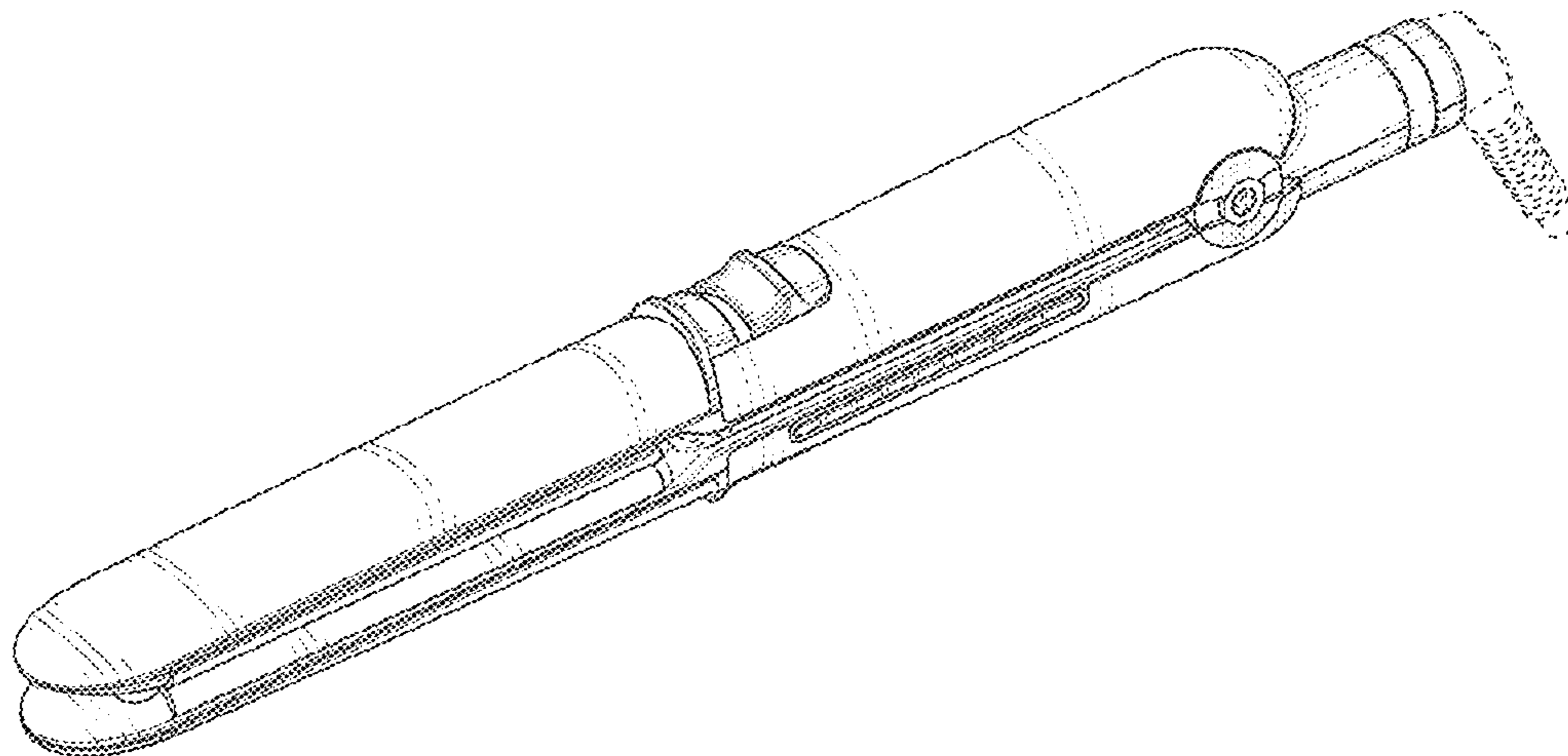
(57) **CLAIM**

The ornamental design for a hair styling apparatus, as shown and described.

**DESCRIPTION**

FIG. 1 is a perspective view of the hair styling apparatus in accordance with the principles of the present disclosure; FIG. 2 is a right side elevation view of the hair styling apparatus of FIG. 1; FIG. 3 is a left side elevation view of the hair styling apparatus of FIG. 1; FIG. 4 is a top plan view of the hair styling apparatus of FIG. 1; FIG. 5 is a bottom plan view of the hair styling apparatus of FIG. 1; FIG. 6 is a front elevation view of the hair styling apparatus of FIG. 1; FIG. 7 is a rear elevation view of the hair styling apparatus of FIG. 1; FIG. 8 is a perspective view of an alternate embodiment of the hair styling apparatus; FIG. 9 is a right side elevation view of the hair styling apparatus of FIG. 8; FIG. 10 is a left side elevation view of the hair styling apparatus of FIG. 8; FIG. 11 is a top plan view of the hair styling apparatus of FIG. 8; FIG. 12 is a bottom plan view of the hair styling apparatus of FIG. 8; FIG. 13 is a front elevation view of the hair styling apparatus of FIG. 8; and, FIG. 14 is a rear elevation view of the hair styling apparatus of FIG. 8. The broken lines illustrate portions of the hair styling apparatus and form no part of the claimed design.

**1 Claim, 6 Drawing Sheets**



(56)

References Cited

U.S. PATENT DOCUMENTS

6,920,886 B2	7/2005	McCambridge et al.	8,420,980 B2	4/2013	Takenouchi
D511,023 S	10/2005	Cho	D682,468 S	5/2013	Kim
7,044,139 B2	5/2006	Tong	8,455,796 B2	6/2013	Leung
7,150,283 B2	12/2006	McCleendon et al.	8,471,179 B2	6/2013	Takenouchi
D586,038 S	2/2009	Kim	8,530,794 B2	9/2013	Shami et al.
D609,400 S	2/2010	Yang	8,541,715 B2	9/2013	Overend et al.
7,681,282 B2	3/2010	Liu	8,567,415 B2	10/2013	Morgandi et al.
RE41,321 E	5/2010	Okumoto et al.	8,604,396 B2	12/2013	Takenouchi
7,730,895 B2	6/2010	Maddocks et al.	8,776,805 B2	7/2014	deGrood
D619,760 S	7/2010	Cheung	D716,497 S	10/2014	Renault
7,800,020 B2	9/2010	Ceva	8,955,526 B2	2/2015	Smith
D627,511 S	11/2010	Kim	D726,964 S *	4/2015	Smith ..... D28/35
D627,515 S	11/2010	Kim	D729,450 S *	5/2015	Van Maanen ..... D28/35
D627,925 S	11/2010	Nenadich	2005/0056631 A1	3/2005	Cha
D632,429 S *	2/2011	Kim ..... D28/35	2005/0081876 A1 *	4/2005	Choi ..... A45D 1/06 132/224
7,947,933 B2	5/2011	Nagasako et al.	2006/0076032 A1	4/2006	Fung
D641,927 S	7/2011	Kim	2007/0119844 A1	5/2007	Lo et al.
8,013,274 B2	9/2011	Suzuki et al.	2008/0011318 A1	1/2008	Wong
8,035,061 B2	10/2011	Jung	2008/0236609 A1	10/2008	Wong
8,066,016 B2	11/2011	Henninger et al.	2011/0004985 A1	1/2011	Aravamudan
D650,941 S	12/2011	Sidebotham	2011/0007985 A1	1/2011	Getsy
8,080,764 B2	12/2011	Shami et al.	2011/0108052 A1	5/2011	Morgandi et al.
8,082,929 B2	12/2011	Kim	2011/0233190 A1	9/2011	Kukino et al.
D651,743 S	1/2012	Kim	2011/0247646 A1	10/2011	Oh
8,232,505 B2	7/2012	Hottenrott et al.	2011/0259356 A1	10/2011	Barton et al.
8,286,645 B2	10/2012	Kyu et al.	2013/0213430 A1	8/2013	Takenouchi
D672,088 S	12/2012	Julemont	2013/0240498 A1	9/2013	Tang
D672,089 S	12/2012	Julemont	2014/0042149 A1	2/2014	Kamitani
8,336,561 B2	12/2012	You	2014/0202488 A1	7/2014	Rivola et al.
			2015/0122792 A1	5/2015	Moore et al.
			2015/0136169 A1	5/2015	Moore et al.

\* cited by examiner

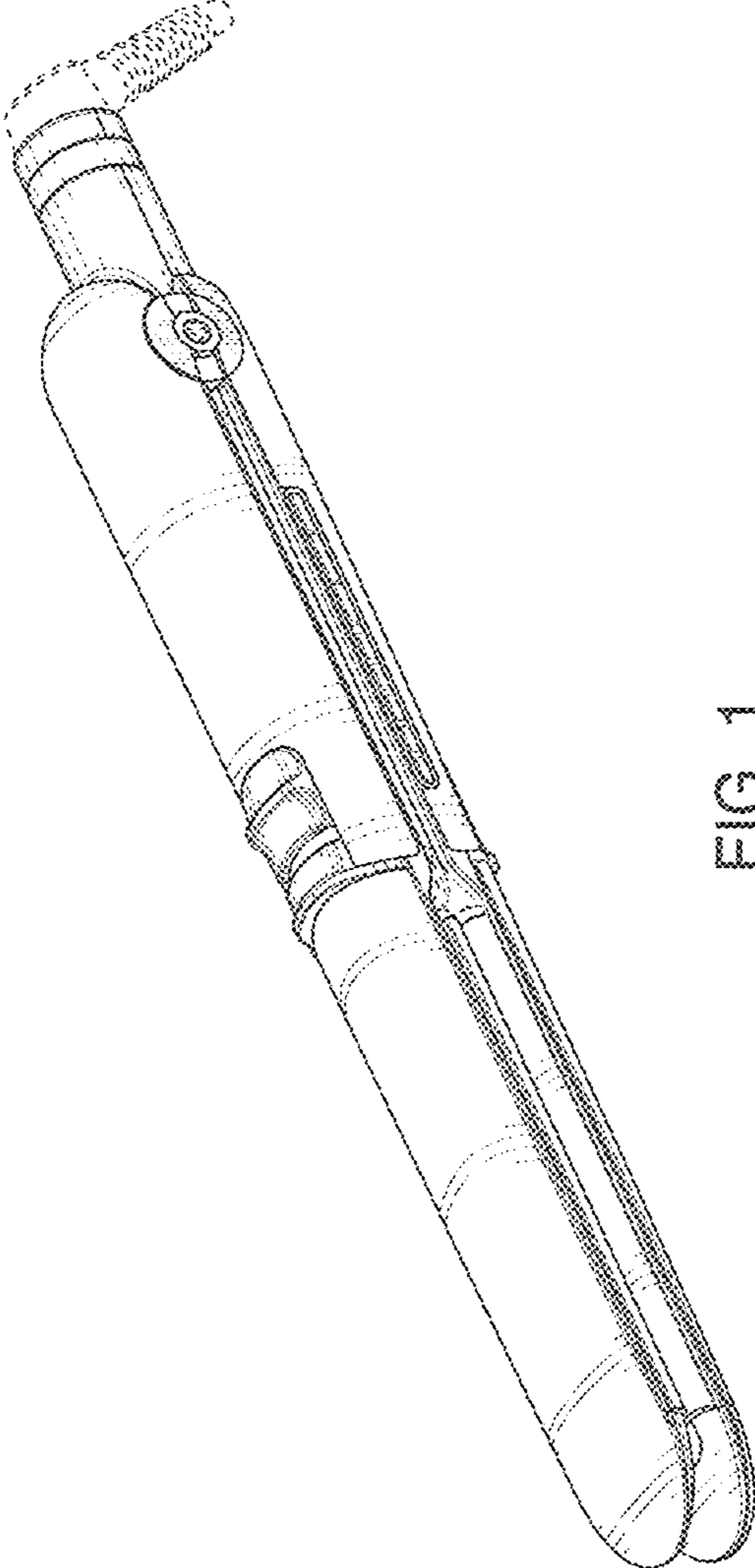


FIG. 1

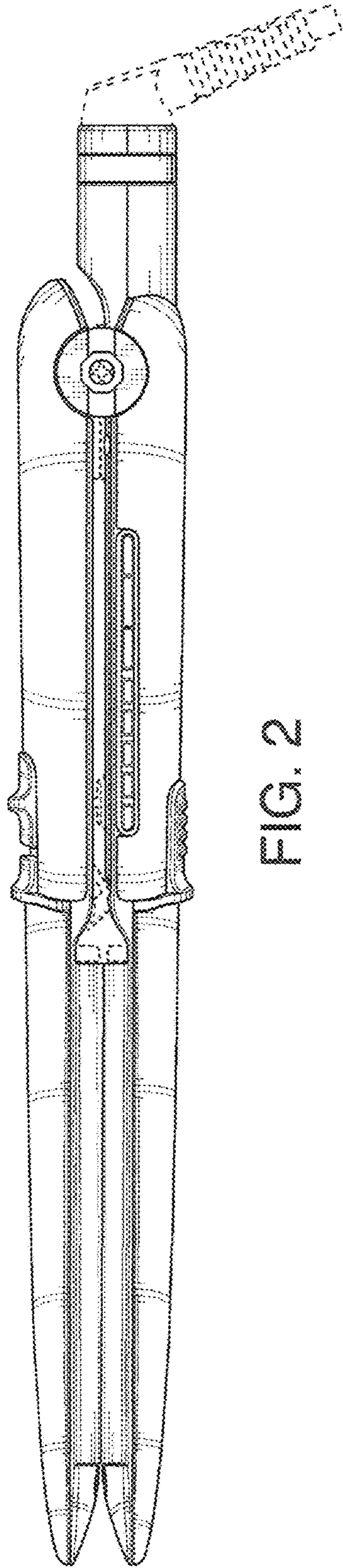


FIG. 2

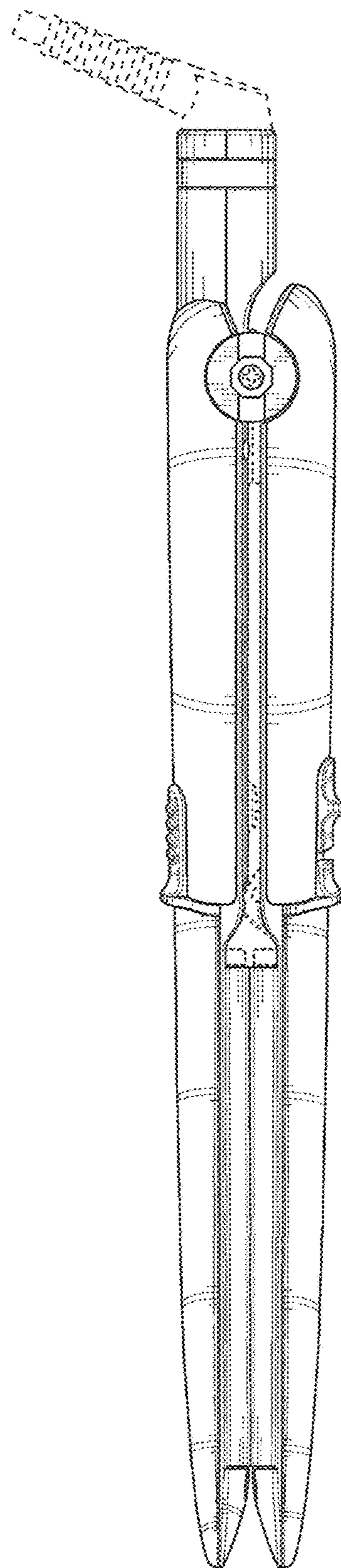


FIG. 3

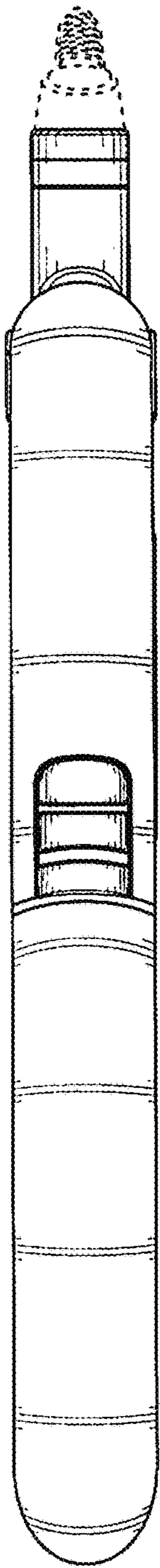


FIG. 4

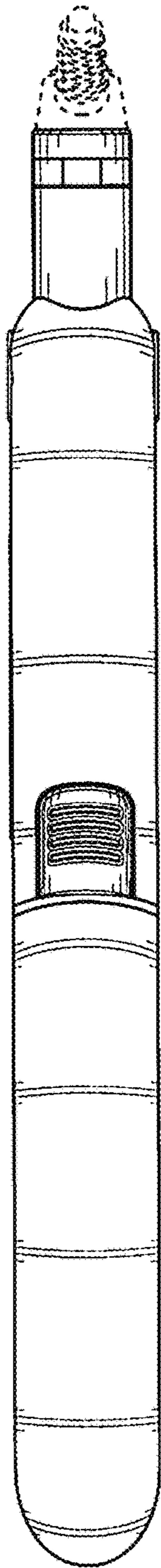


FIG. 5

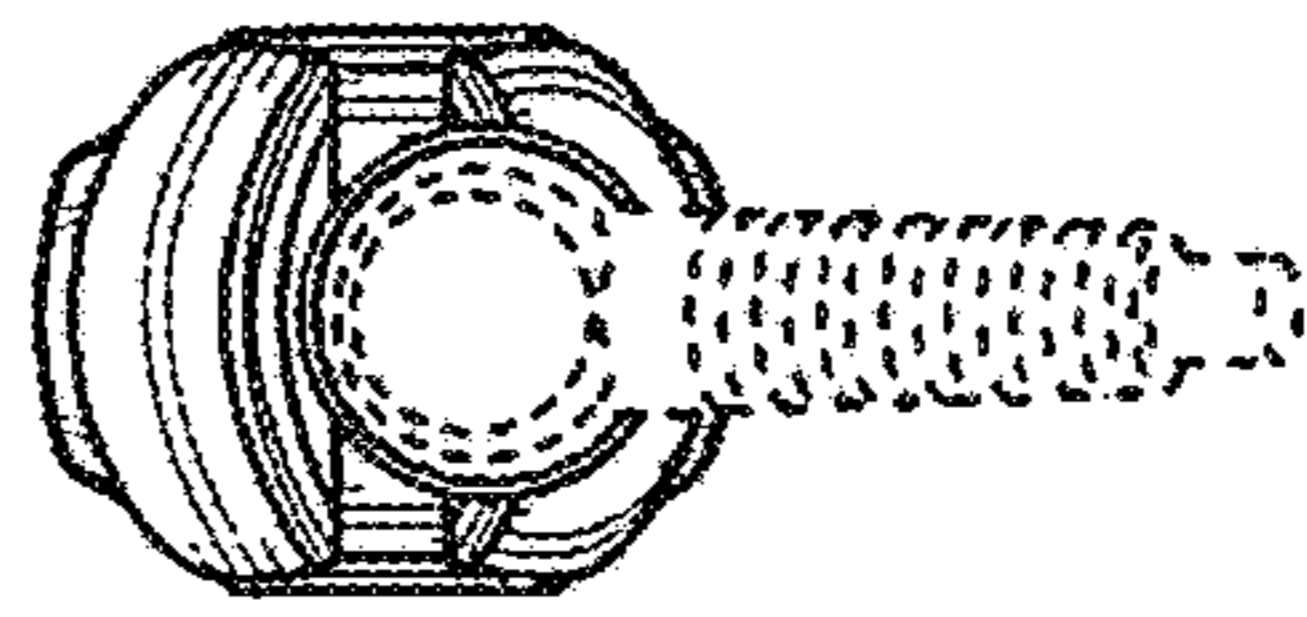


FIG. 7

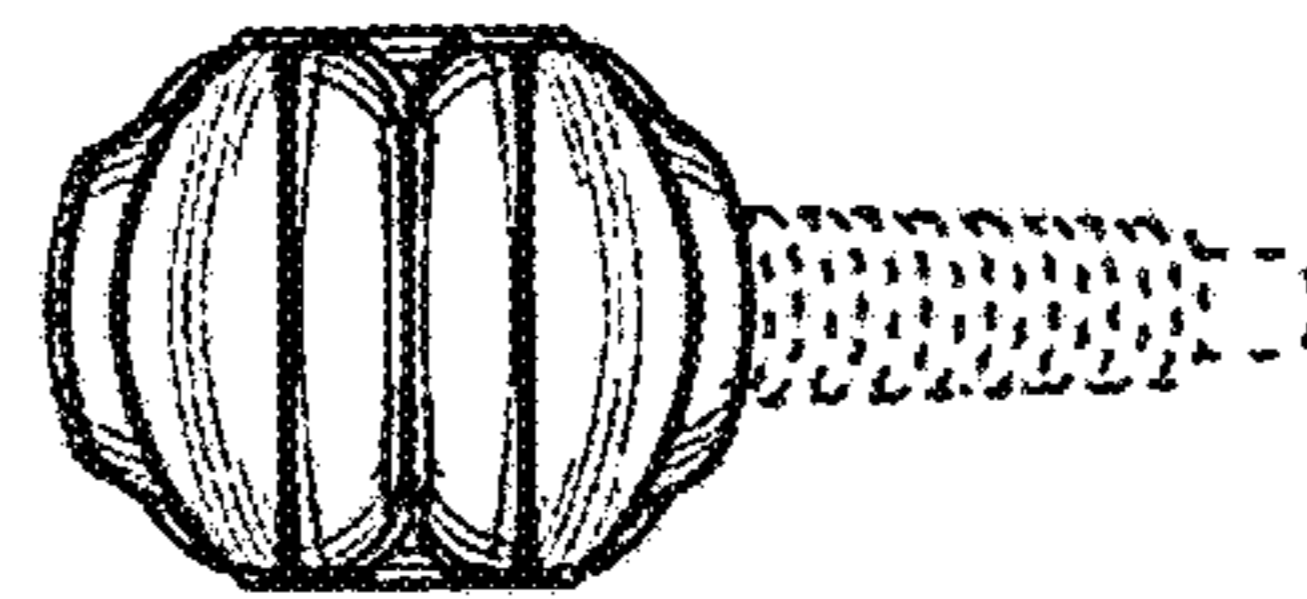


FIG. 6

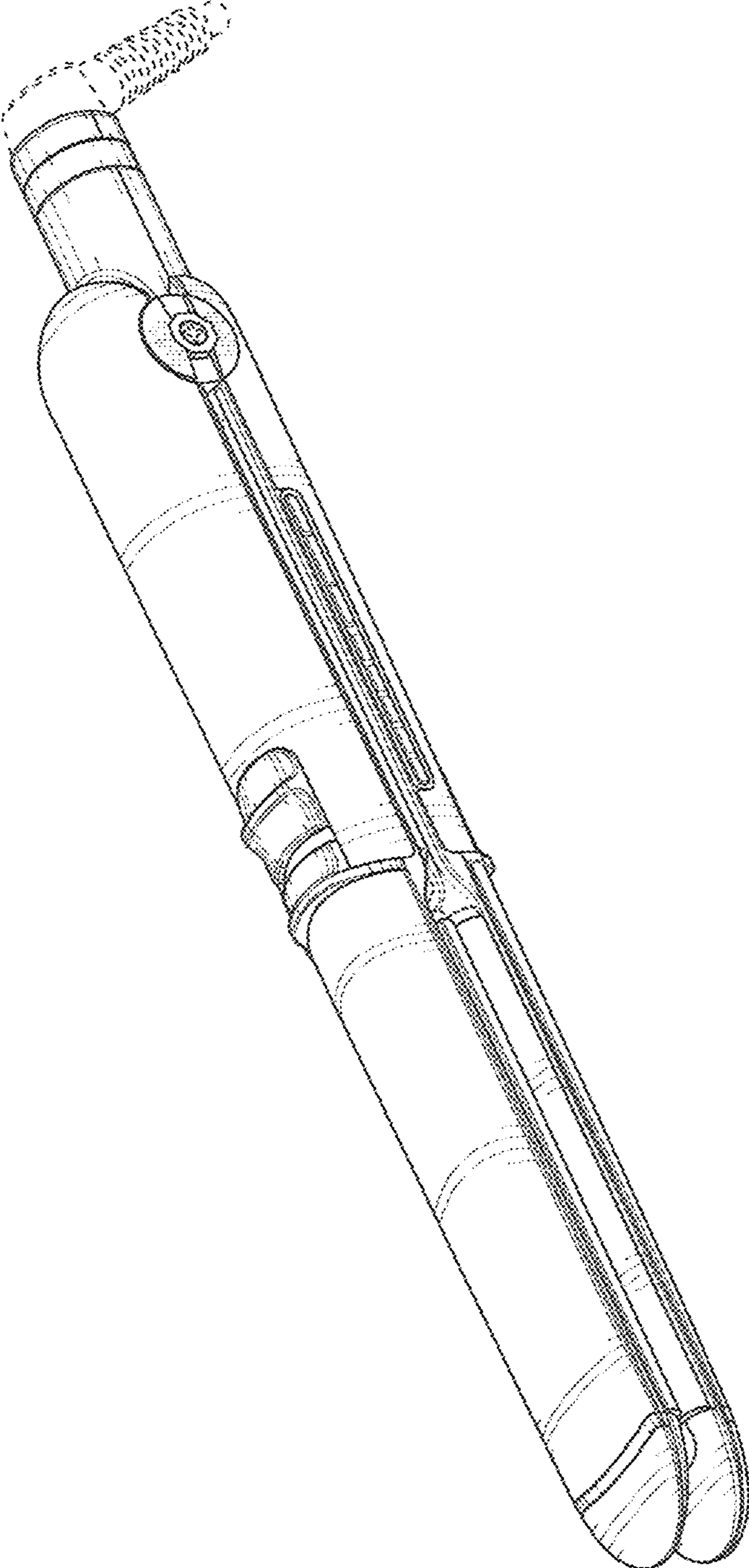


FIG. 8

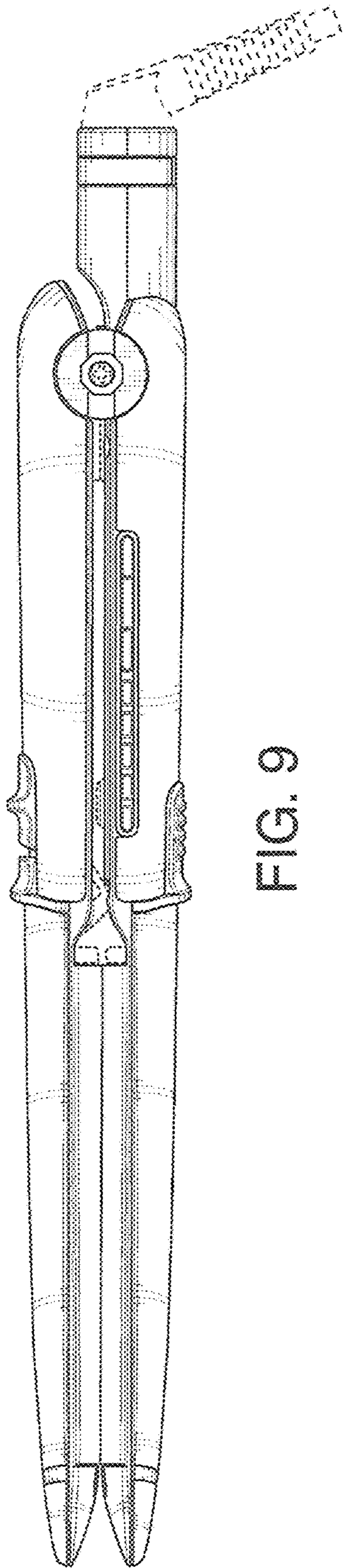


FIG. 9

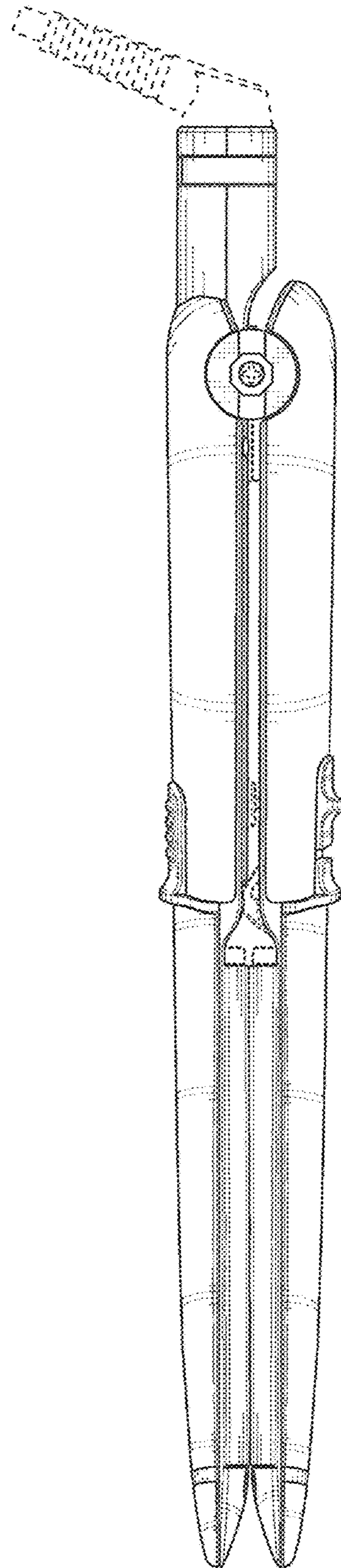


FIG. 10

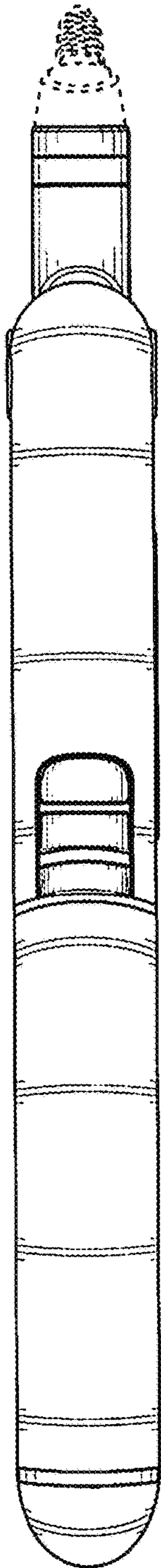


FIG. 11

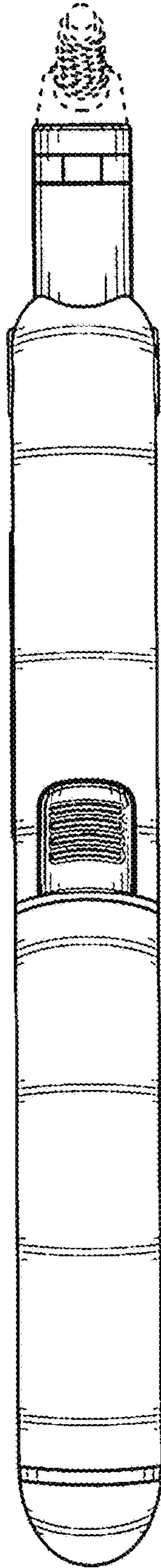


FIG. 12

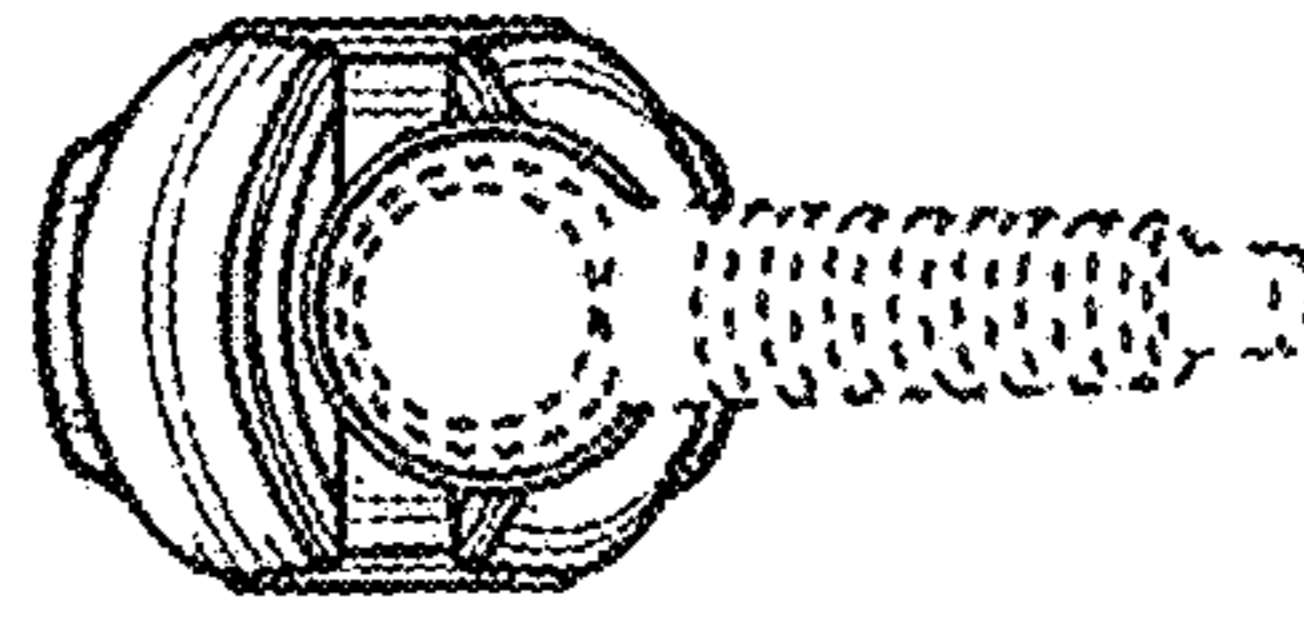


FIG. 14

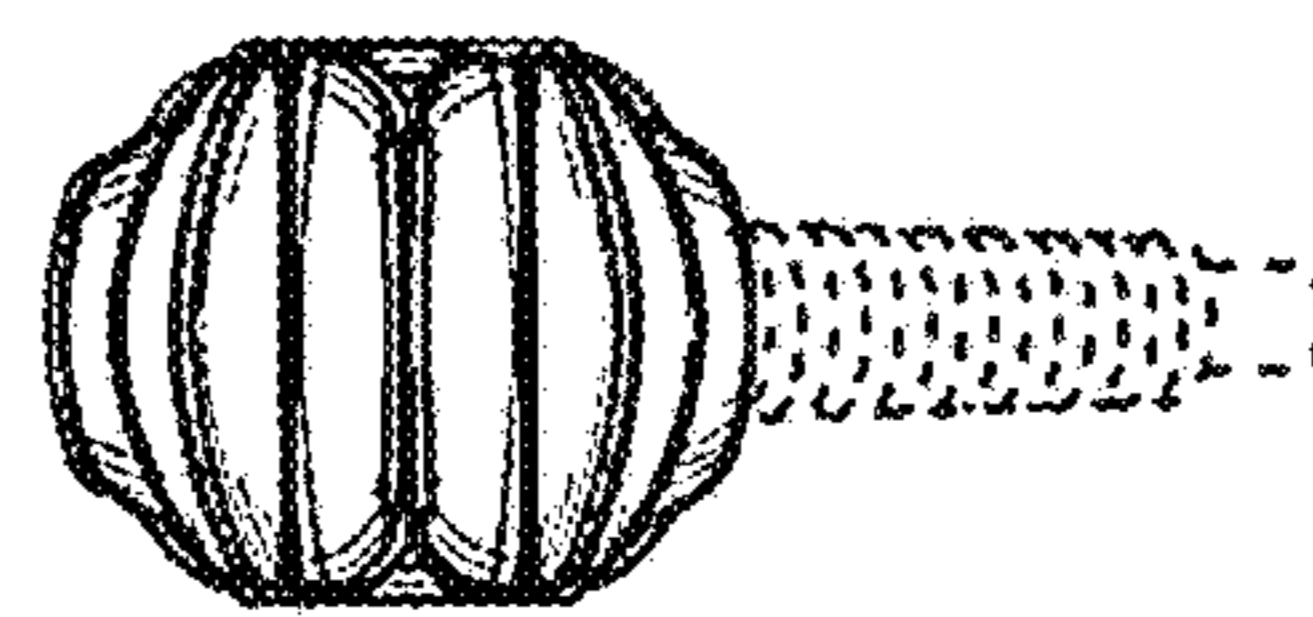


FIG. 13