



US00D804724S

(12) **United States Design Patent** (10) **Patent No.:** **US D804,724 S**  
**Ceva** (45) **Date of Patent:** **\*\* Dec. 5, 2017**

(54) **DIFFUSING NOZZLE FOR A HAIR-DRYER**

5,966,833 A \* 10/1999 Andis ..... A45D 20/122  
34/283

(71) Applicant: **GA.MA S.R.L.**, San Pietro in Casale (IT)

6,199,295 B1 \* 3/2001 Smal ..... A45D 20/122  
34/98

(72) Inventor: **Carlos José Ceva**, Buenos Aires (AR)

D627,923 S \* 11/2010 Korach ..... D28/18  
D676,600 S \* 2/2013 Thrasher, Jr. .... D28/18  
D721,456 S \* 1/2015 Sayers ..... D28/18

(73) Assignee: **GA. MA S.R.L.**, San Pietro in Casale, Bologna (IT)

\* cited by examiner

(\*\*) Term: **15 Years**

*Primary Examiner* — Zenia Bennett

(21) Appl. No.: **35/500,533**

(74) *Attorney, Agent, or Firm* — Davis & Bujold, PLLC;  
Michael J. Bujold

(22) Filed: **Jan. 11, 2016**

(80) **Hague Agreement Data**

Int. Filing Date: **Jan. 11, 2016**  
Int. Reg. No.: **DM/088984**  
Int. Reg. Date: **Jan. 11, 2016**  
Int. Reg. Pub. Date: **Jan. 29, 2016**

(57) **CLAIM**

The ornamental design for a diffusing nozzle for a hair-dryer, as shown and described.

(51) **LOC (10) Cl.** ..... **28-03**

**DESCRIPTION**

(52) **U.S. Cl.**  
USPC ..... **D28/19**

(58) **Field of Classification Search**  
USPC ..... D28/12-19; 34/96-101; 392/380-385;  
219/222  
CPC ..... A45D 20/12; A45D 20/00  
See application file for complete search history.

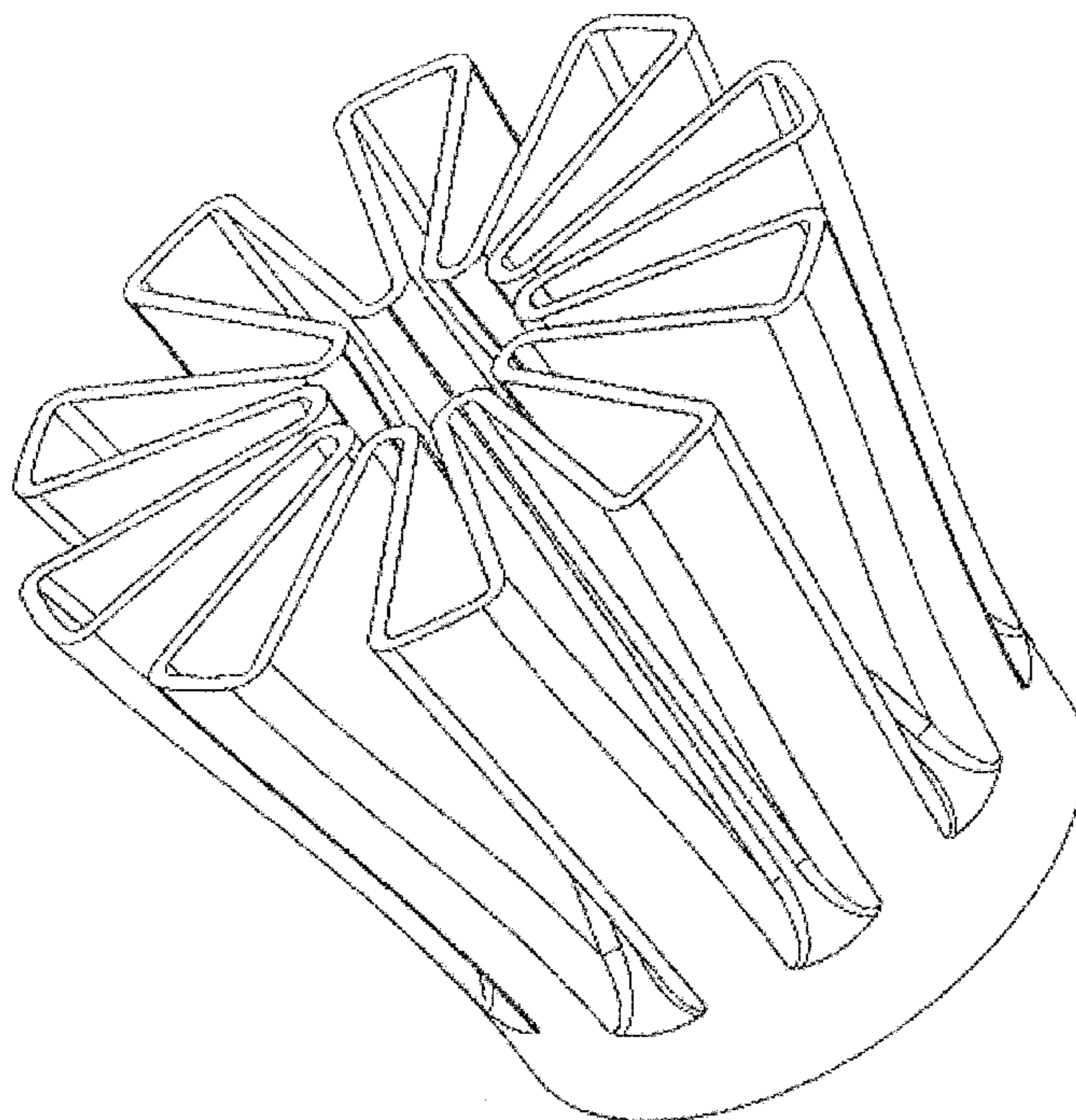
1. Diffusing nozzle for a hair-dryer  
1.1 is a front, top, right perspective view of a diffusing nozzle for a hair-dryer embodying my new design;  
1.2 is a front elevational view thereof;  
1.3 is a right side elevational view thereof;  
1.4 is a left side elevational view thereof;  
1.5 is a top plan elevational view thereof;  
1.6 is a bottom plan view thereof;  
1.7 is a rear view thereof; and  
1.8 is a front, top, left perspective view of 1.1.

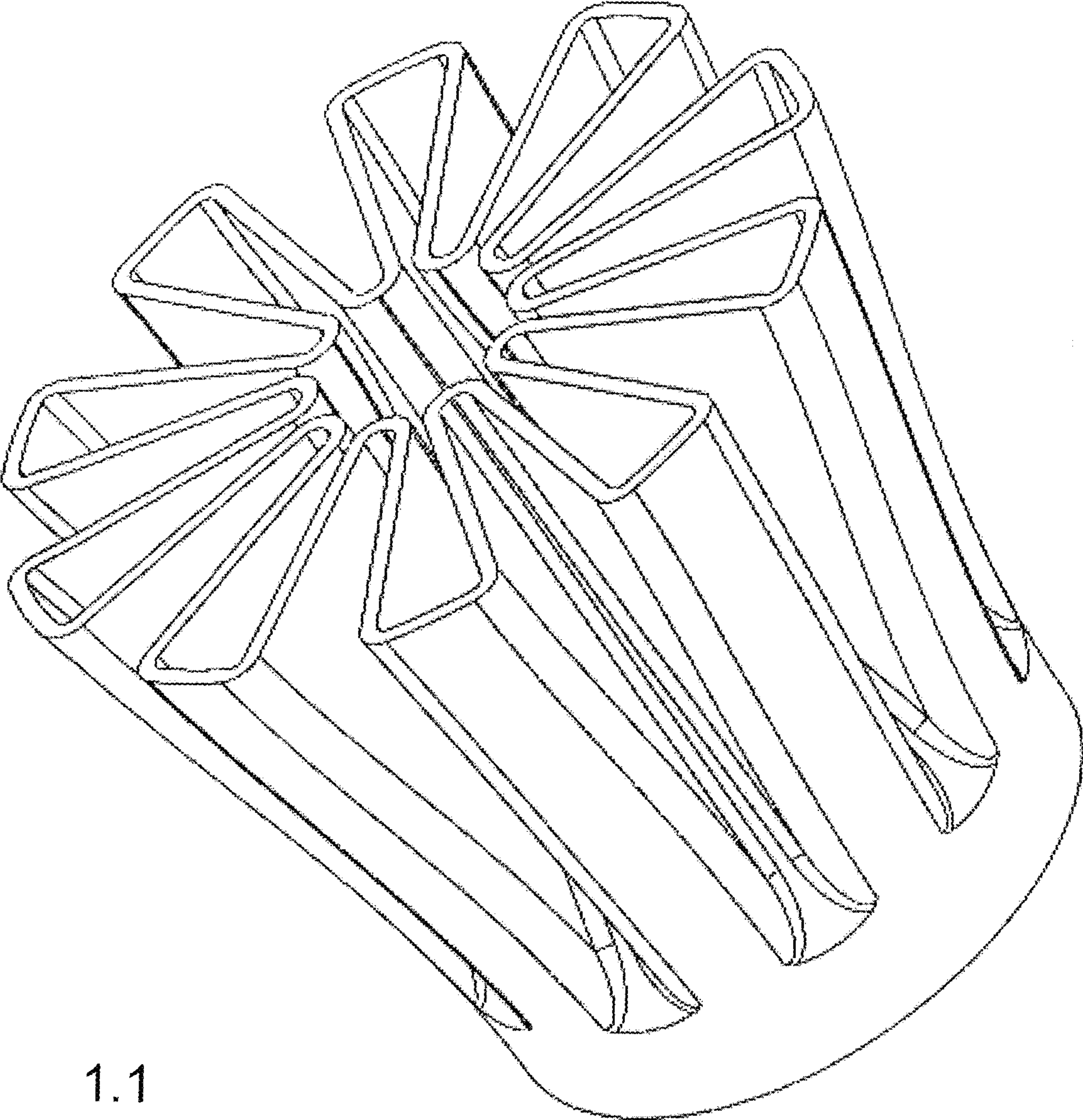
(56) **References Cited**

U.S. PATENT DOCUMENTS

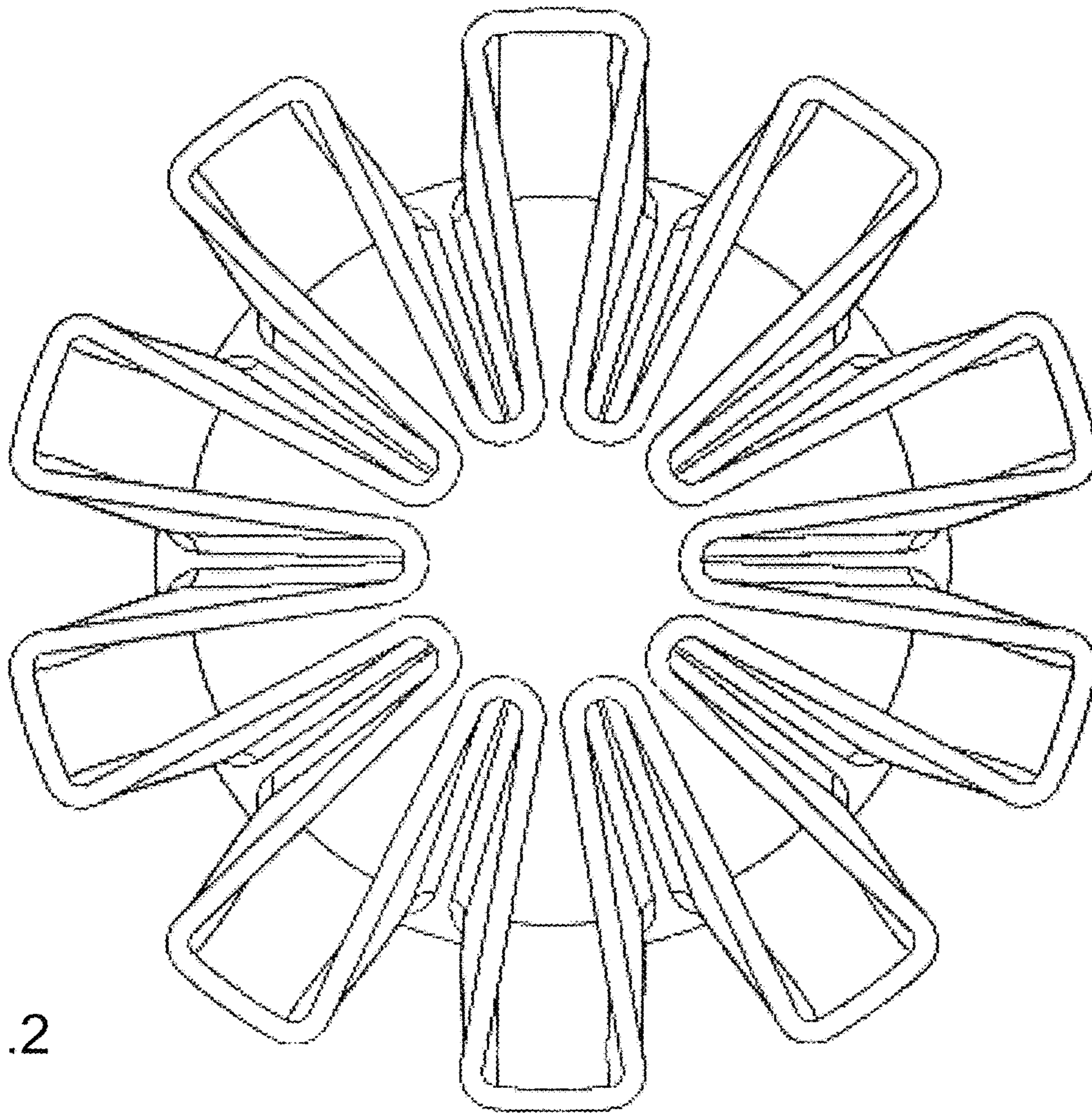
D259,284 S \* 5/1981 Megna ..... D28/18

**1 Claim, 8 Drawing Sheets**

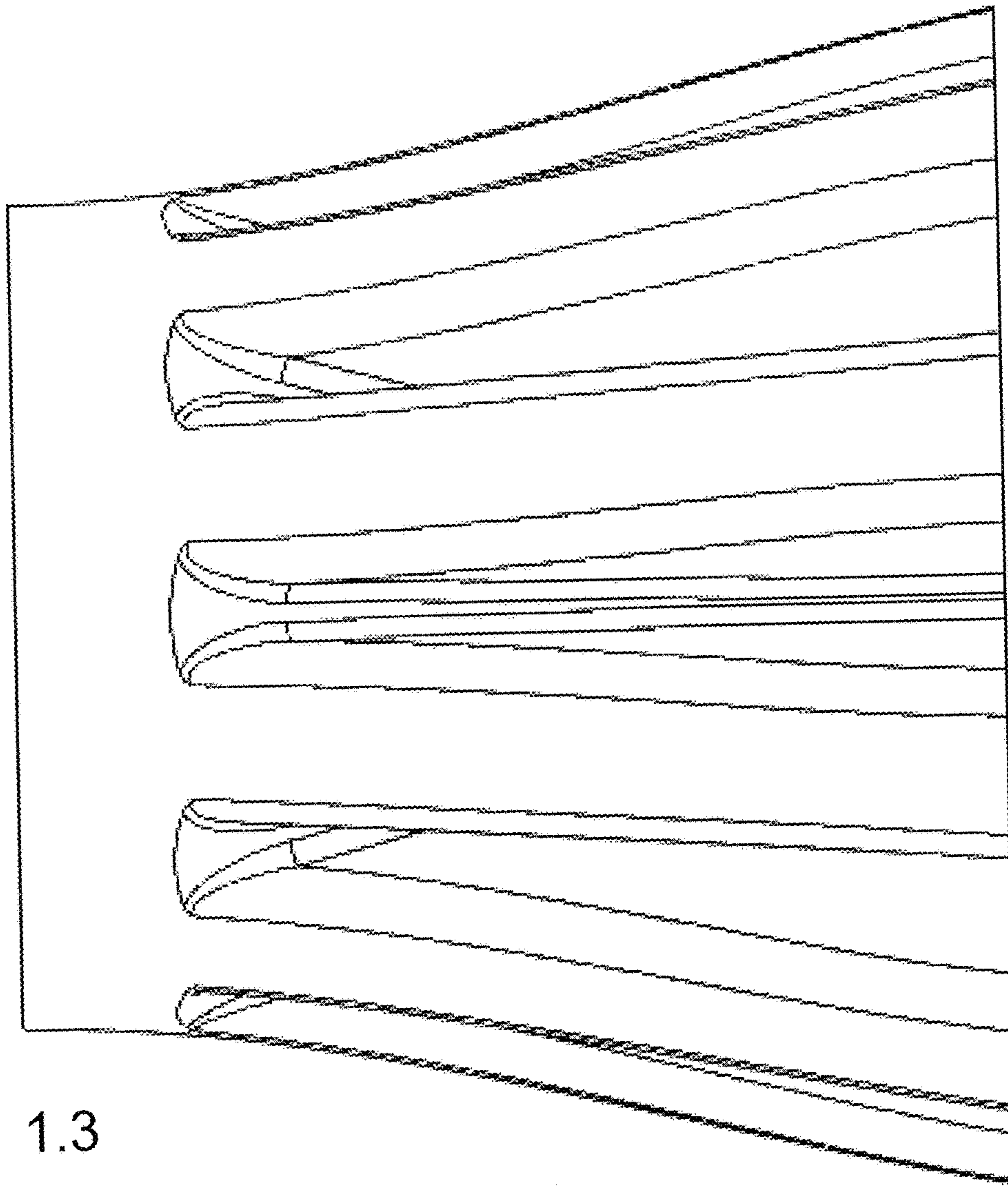


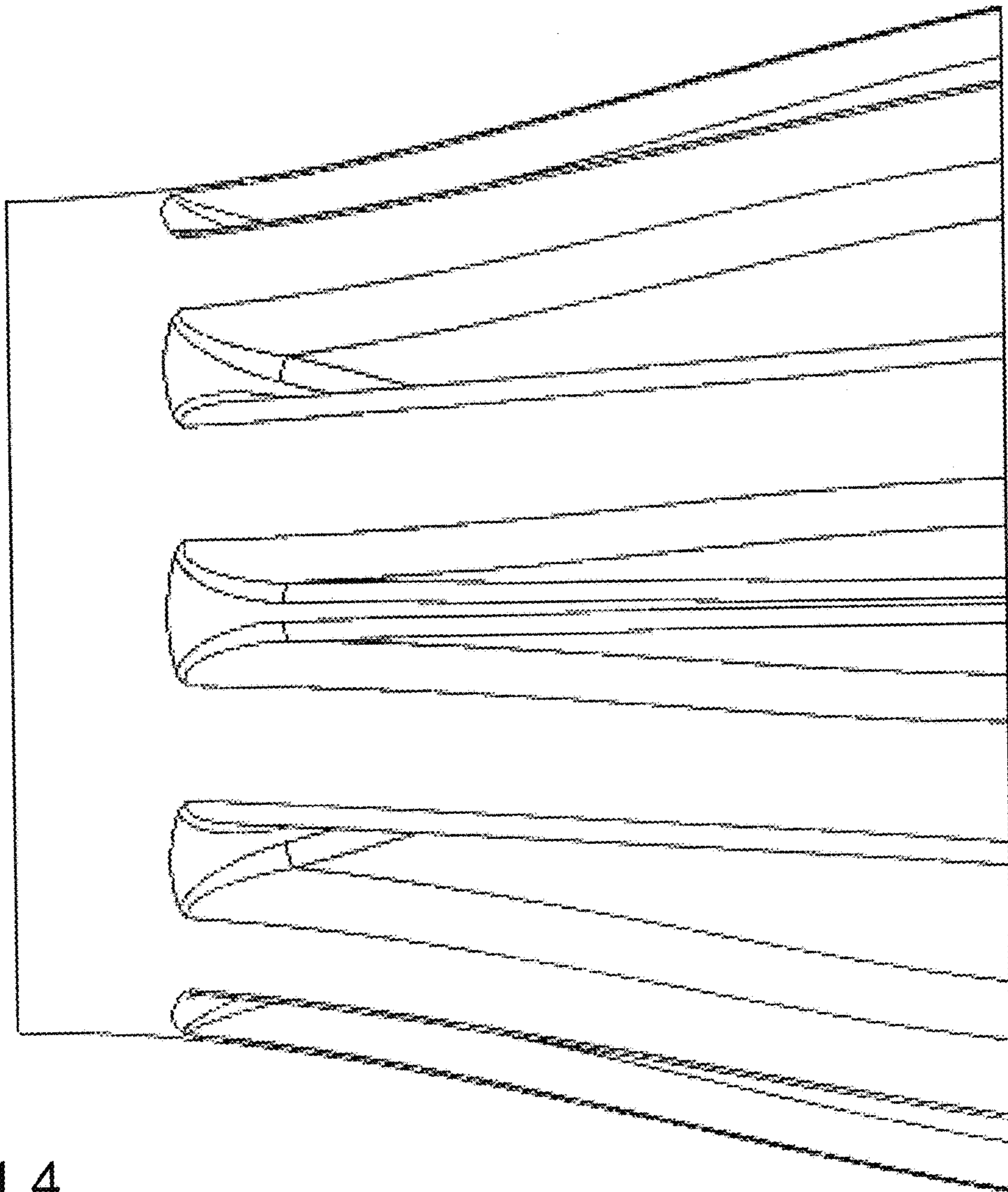


1.1

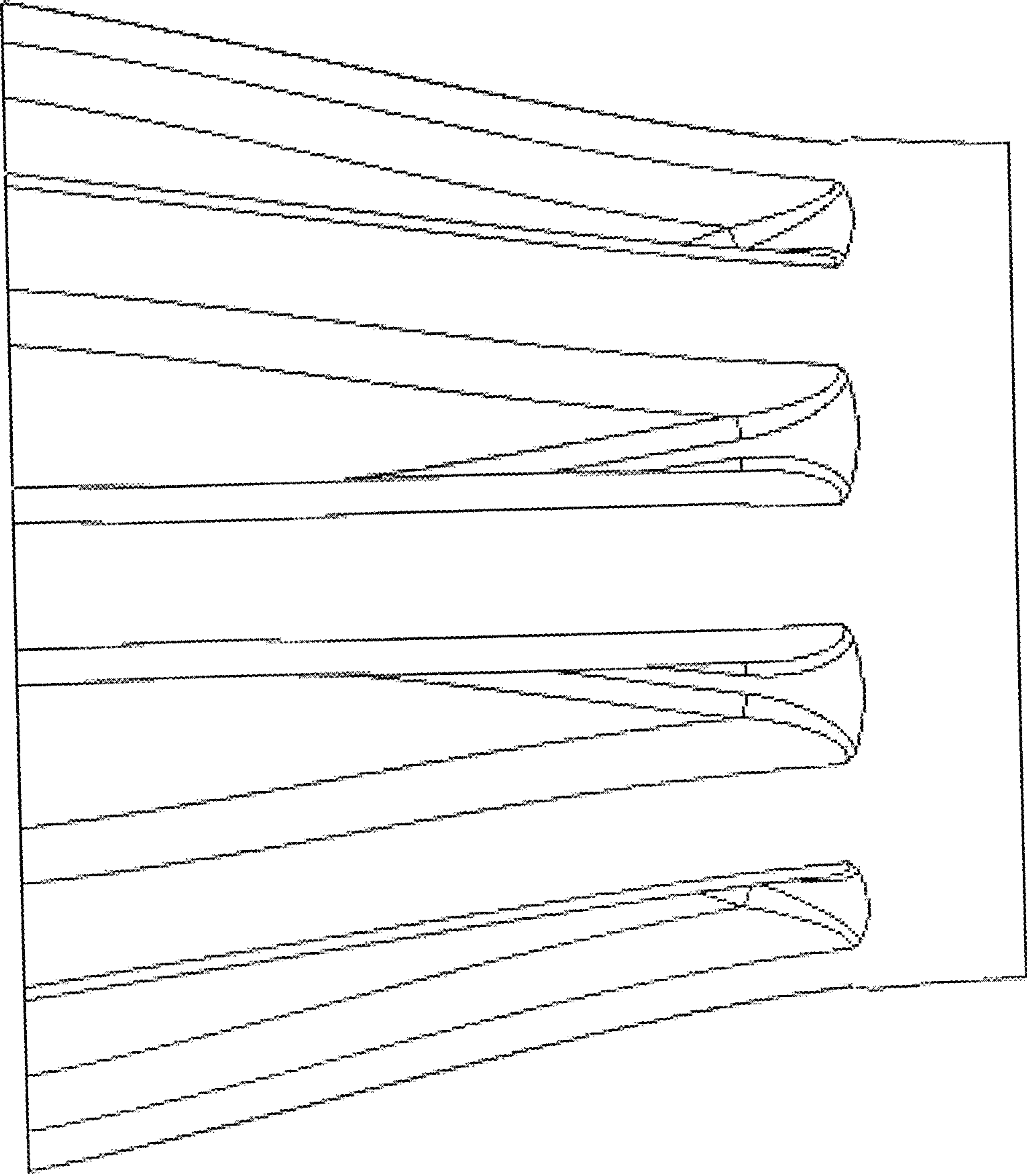


1.2

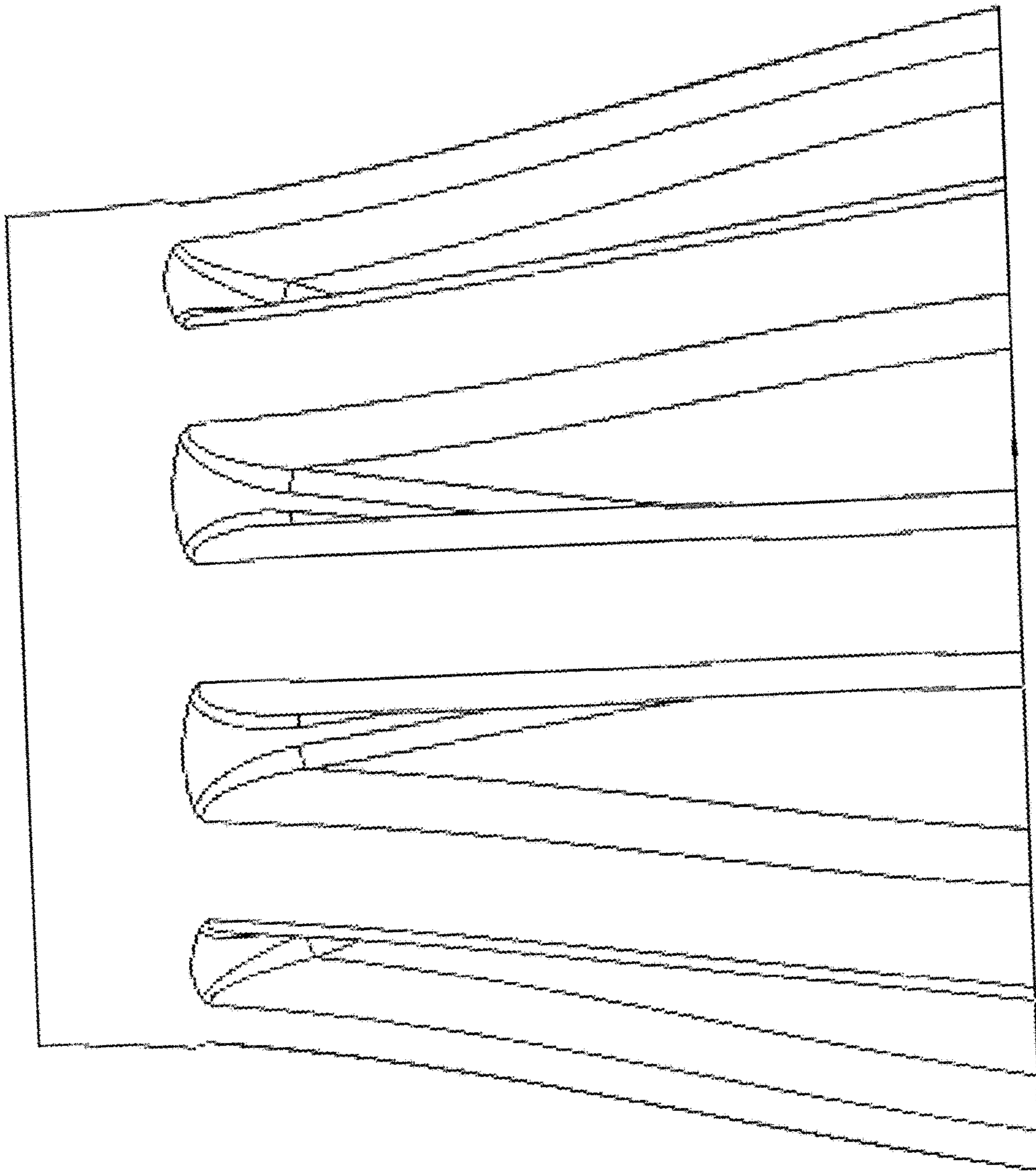




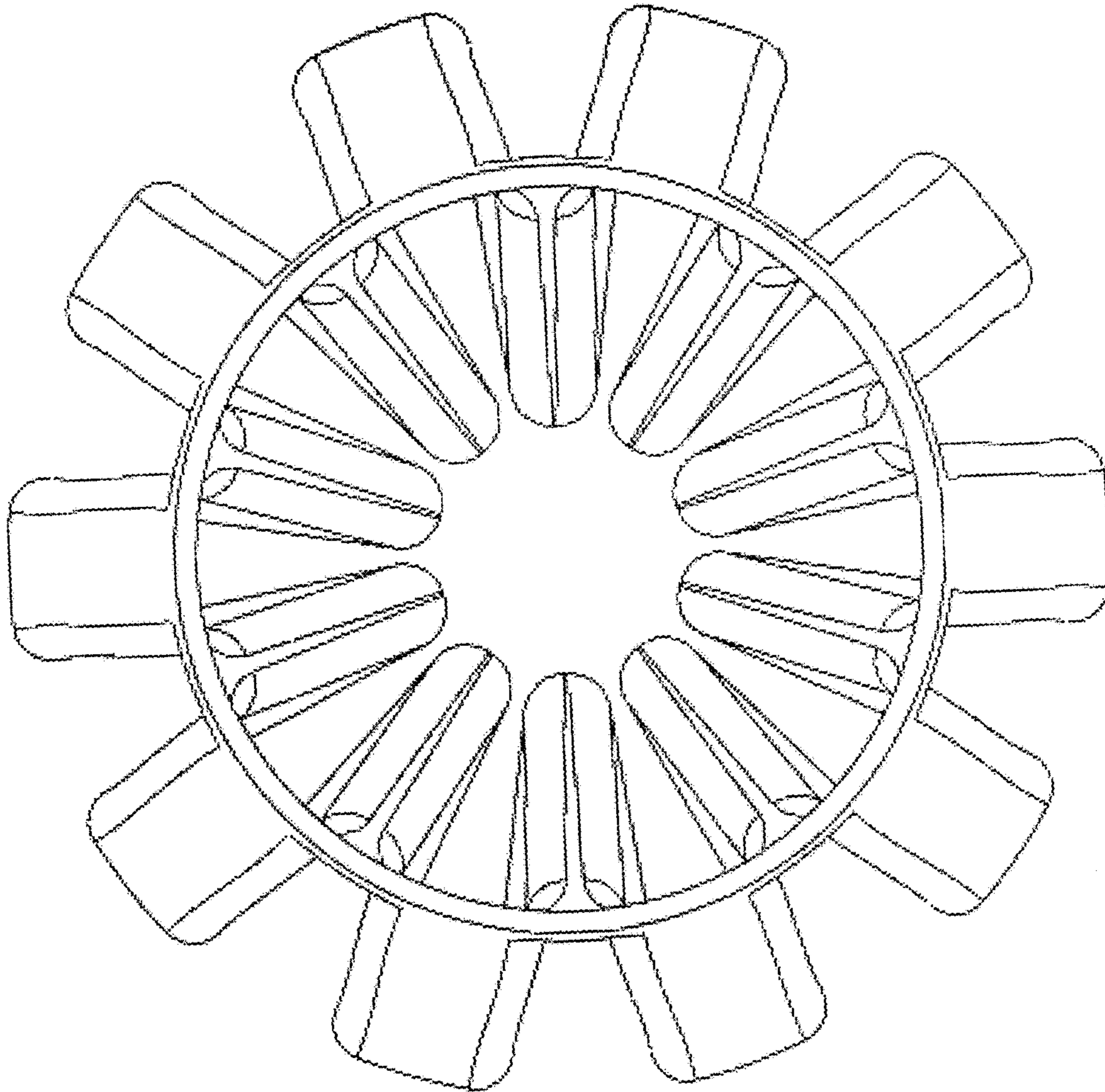
1.4



1.5

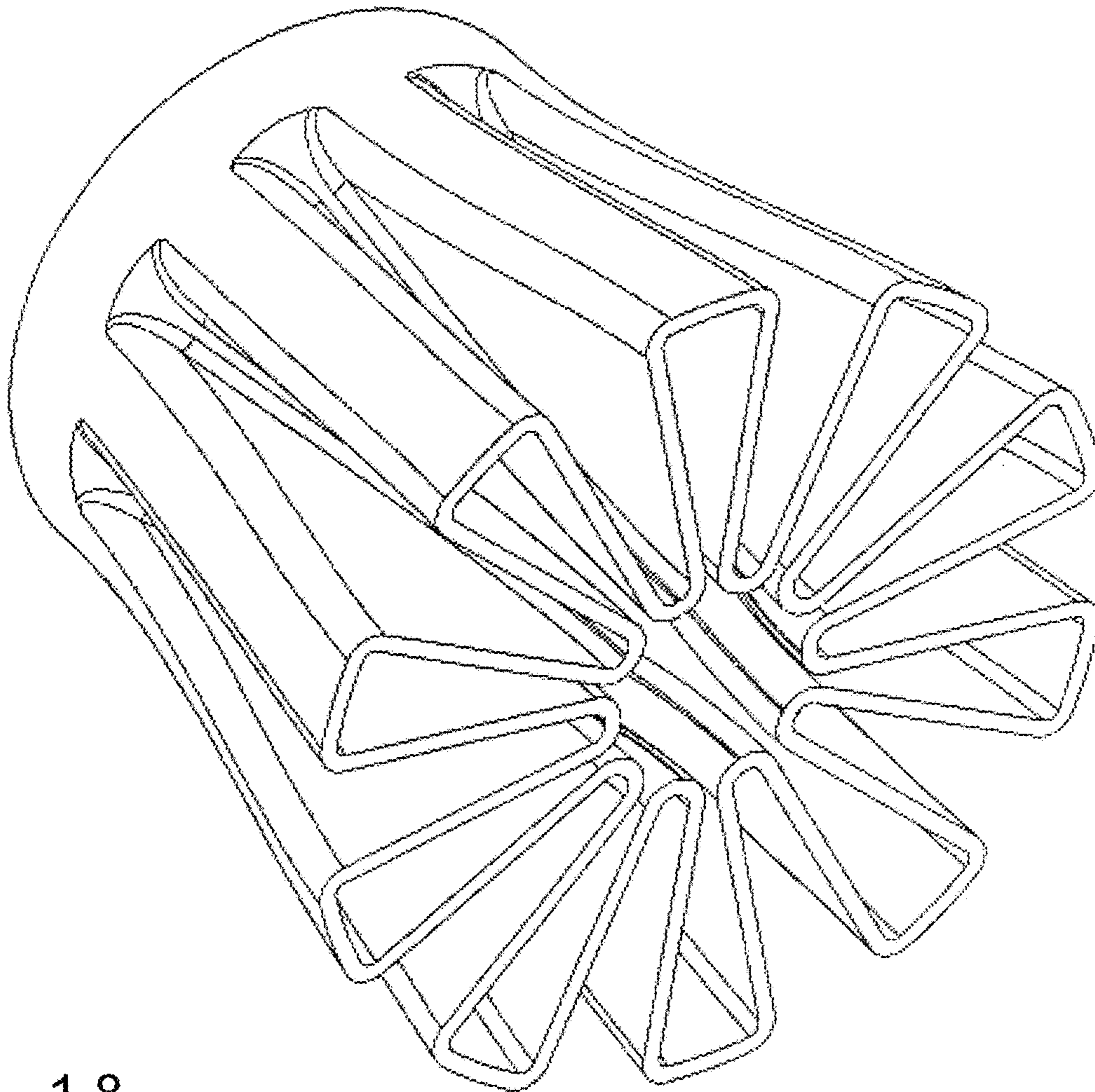


1.6



1.7





1.8