



US00D804723S

(12) **United States Design Patent** (10) **Patent No.:** **US D804,723 S**
Dietvorst et al. (45) **Date of Patent:** **** Dec. 5, 2017**

(54) **CAPSULE FOR CONTAINING WASHING PRODUCTS**

FOREIGN PATENT DOCUMENTS

(71) Applicant: **Reckitt Benckiser Finish B.V.**,
Hoofddorp (NL)

DE 49907674-0005 9/2014
DE 49907674-0009 9/2014

(Continued)

(72) Inventors: **Taco Dietvorst**, Eindhoven (NL); **Jordi Salvador**, Granollers (ES); **Caroline Rigobert**, Heidelberg (DE); **Axel Halbherr**, Heidelberg (DE); **Izaskun Gutierrez**, Heidelberg (DE)

OTHER PUBLICATIONS

Taco Dietvorst, Design U.S. Appl. No. 29/554,936, filed Feb. 17, 2016.

(Continued)

(73) Assignee: **RECKITT BENCKISER FINISH B.V.**, Hoofddorp (NL)

Primary Examiner — Jennifer Rivard

(74) *Attorney, Agent, or Firm* — Troutman Sanders LLP; Ryan Schneider; Chris Davis

(**) Term: **15 Years**

(21) Appl. No.: **29/578,696**

(57) **CLAIM**

(22) Filed: **Sep. 23, 2016**

The ornamental design for a capsule for containing washing products, as shown and described.

(30) **Foreign Application Priority Data**

Mar. 24, 2016 (EM) 003042696-0002

(51) **LOC (10) Cl.** **28-02**

(52) **U.S. Cl.**
USPC **D28/8.1**

(58) **Field of Classification Search**
USPC D28/8.1-8.2; D9/424-426, 428, D9/430-432, 702, 707, 710, 737, 759
CPC C11D 17/04; C11D 17/041-17/042; C11D 17/043-17/047; C11D 17/0047-17/0091; C11D 17/0095; C11D 17/00-17/0021
See application file for complete search history.

DESCRIPTION

FIG. 1 is a perspective view of a capsule for containing washing products of the present invention;
FIG. 2 is a front view of the capsule for containing washing products of FIG. 1;
FIG. 3 is a side view of the capsule for containing washing products of FIG. 1;
FIG. 4 is a back view of the capsule for containing washing products of FIG. 1;
FIG. 5 is the other side view of the capsule for containing washing products of FIG. 1;
FIG. 6 is a top view of the capsule for containing washing products of FIG. 1; and,
FIG. 7 is a bottom view of the capsule for containing washing products of FIG. 1.
The broken lines are included for the purpose of illustrating a portion of the capsule for containing washing products that forms no part of the claimed design.

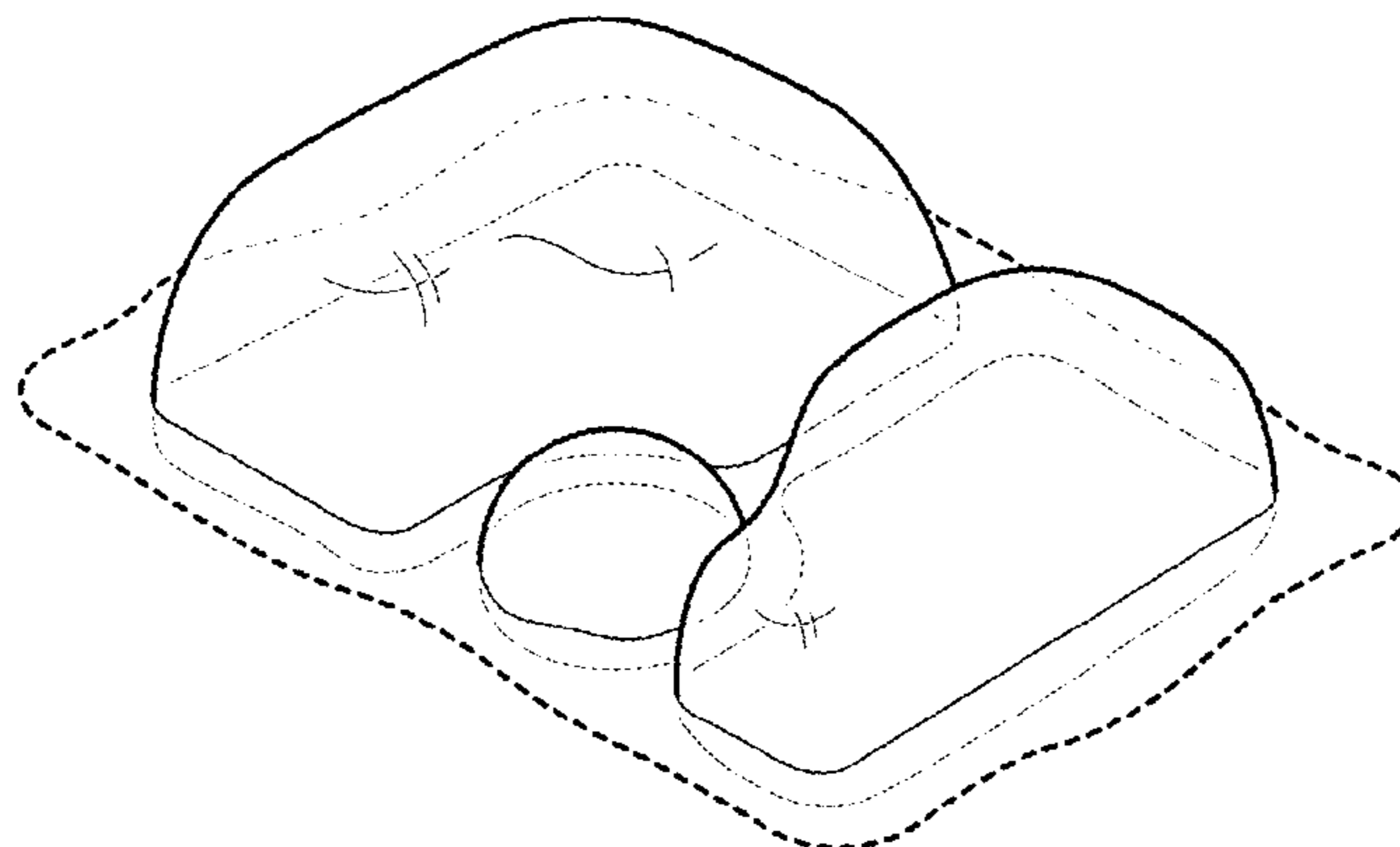
(56) **References Cited**

U.S. PATENT DOCUMENTS

D565,244 S 3/2008 Schwartz et al.
D599,056 S 8/2009 Schwartz et al.
D608,049 S 1/2010 Schwartz et al.
D621,718 S 8/2010 Mehdizadeh
D648,064 S 11/2011 Pflug et al.

(Continued)

1 Claim, 7 Drawing Sheets



(56)

References Cited

U.S. PATENT DOCUMENTS

D649,710 S	11/2011	Mehdizadeh	EM	001382477-0001	9/2013
D656,668 S	3/2012	Stone et al.	EM	001382477-0002	9/2013
D659,902 S	5/2012	Mehdizadeh	EM	001913831-0001	10/2013
D663,894 S	7/2012	Davanzo et al.	EM	001913831-0002	10/2013
D679,863 S	4/2013	Sunder	EM	001913831-0003	10/2013
D689,241 S	9/2013	Gerhards	EM	001913831-0004	10/2013
D691,326 S	10/2013	Gerhards	EM	001913831-0005	10/2013
D695,451 S	12/2013	Gerhards	EM	001913831-0006	10/2013
8,669,219 B2 *	3/2014	Wiedemann B65D 65/46 510/293	EM	001913831-0007	10/2013
			EM	001913831-0008	10/2013
			EM	001386155-0001	11/2013
			EM	001913419-0001	11/2013
			EM	001913419-0002	11/2013
			EM	001913419-0003	11/2013
			EM	001913419-0004	11/2013
D714,161 S	9/2014	Crawford et al.	EM	002390658-0001	1/2014
D728,157 S	4/2015	Sarb	EM	002390658-0002	1/2014
D732,735 S	6/2015	Nixon et al.	EM	002390658-0003	1/2014
D733,962 S	7/2015	Sunder	EM	002390658-0004	1/2014
D735,407 S	7/2015	Gerhards	EM	002390658-0005	1/2014
D735,408 S	7/2015	Meier	EM	002390658-0006	1/2014
D735,409 S	7/2015	Sunder	EM	002390658-0007	1/2014
D744,162 S	11/2015	Sunder	EM	002390658-0008	1/2014
D748,330 S	1/2016	Gerhards	EM	002453282-0001	4/2014
D777,373 S *	1/2017	Sunder D28/8.1	EM	002453282-0002	4/2014
D783,203 S *	4/2017	Johnson D28/8.1	EM	002480079-0001	6/2014
D785,865 S *	5/2017	Rigobert D28/8.1	EM	002480079-0002	6/2014
D786,501 S *	5/2017	Rigobert D28/8.1	EM	002480079-0003	6/2014
D786,502 S *	5/2017	Rigobert D28/8.1	EM	002480079-0004	6/2014
D786,503 S *	5/2017	Rigobert D28/8.1	EM	002063412-0001	9/2014
D786,504 S *	5/2017	Rigobert D28/8.1	EM	002063412-0002	9/2014
D786,505 S *	5/2017	Rigobert D28/8.1	EM	002063412-0003	9/2014
D787,117 S *	5/2017	Rigobert D28/8.1	EM	002063412-0004	9/2014
D787,118 S *	5/2017	Rigobert D28/8.1	EM	002063453-0001	9/2014
D787,119 S *	5/2017	Rigobert D28/8.1	EM	002063438-0001	10/2014
D787,120 S *	5/2017	Rigobert D28/8.1	EM	002680801-0001	4/2015
D787,121 S *	5/2017	Rigobert D28/8.1	EM	002680801-0002	4/2015
D789,602 S *	6/2017	Rigobert D28/8.1	EM	002680801-0003	4/2015
D789,603 S *	6/2017	Rigobert D28/8.1	EM	002294900-0001	9/2015
D791,404 S *	7/2017	Rigobert D28/8.1	EM	002294900-0002	9/2015
D791,405 S *	7/2017	Rigobert D28/8.1	EM	002294900-0003	9/2015
2005/0263428 A1	12/2005	Duffield et al.	EM	002294900-0004	9/2015
2010/0105596 A1	4/2010	Wiedemann et al.	EM	002294900-0005	9/2015
2016/0130538 A1 *	5/2016	Cooley B65D 81/3261 8/137	EM	002294900-0006	9/2015
			EM	002844035-0001	11/2015
2017/0067000 A1 *	3/2017	Brandt-Sanz B65D 65/46	EM	002844035-0002	11/2015
2017/0067001 A1 *	3/2017	Souter B65D 65/46	EP	1375637 A1	1/2004
			EP	1478727 A1	11/2004
			PL	21973 S2	2/2016

FOREIGN PATENT DOCUMENTS

EM	000019070-0001	12/2005	TR	DM-082599-0003	4/2013
EM	000019070-0002	12/2005	TR	DM-082599-0005	4/2013
EM	000019070-0003	12/2005	TR	DM-082599-0012	4/2013
EM	000019070-0004	12/2005	TR	DM-082599-0015	4/2013
EM	000019070-0005	12/2005	TR	DM-082599-0020	4/2013
EM	000019070-0006	12/2005	TR	DM-082599-0022	4/2013
EM	000019070-0007	12/2005	TR	DM-082599-0023	4/2013
EM	000019070-0008	12/2005	WO	0136290 A1	5/2001
EM	000050380-0001	12/2005	WO	20080087417 A1	7/2008
EM	000050380-0004	12/2005	WO	DM-082599-0001	4/2013
EM	000675855-0001	4/2007	WO	DM-082599-0002	4/2013
EM	000675855-0002	4/2007	WO	DM-082599-0004	4/2013
EM	002063214-0001	6/2012	WO	DM-082599-0006	4/2013
EM	002118075-0001	10/2012	WO	DM-082599-0007	4/2013
EM	002118075-0002	10/2012	WO	DM-082599-0008	4/2013
EM	002118075-0003	10/2012	WO	DM-082599-0009	4/2013
EM	001859505-0001	11/2012	WO	DM-082599-0010	4/2013
EM	001859505-0002	11/2012	WO	DM-082599-0011	4/2013
EM	001859505-0003	11/2012	WO	DM-082599-0013	4/2013
EM	001859505-0004	11/2012	WO	DM-082599-0014	4/2013
EM	001859505-0005	11/2012	WO	DM-082599-0016	4/2013
EM	001859505-0006	11/2012	WO	DM-082599-0017	4/2013
EM	001859505-0007	11/2012	WO	DM-082599-0018	4/2013
EM	001859505-0008	11/2012	WO	DM-082599-0019	4/2013
EM	001859505-0009	11/2012	WO	DM-082599-0021	4/2013
EM	001859505-0010	11/2012	WO	DM-082599-0024	4/2013
EM	001378921-0001	8/2013	WO	DM-082599-0025	4/2013
EM	001378921-0002	8/2013	WO	DM-082599-0026	4/2013
EM	001378921-0003	8/2013	WO	DM-082599-0027	4/2013
			WO	DM-082599-0028	4/2013

(56)

References Cited

FOREIGN PATENT DOCUMENTS

WO	DM-082599-0029	4/2013
WO	DM-083857-0001	6/2014
WO	DM-083857-0002	6/2014
WO	DM-083857-0003	6/2014
WO	DM-085740-0001	2/2015

OTHER PUBLICATIONS

Taco Dietvorst, Design U.S. Appl. No. 29/554,939, filed Feb. 17, 2016.
Taco Dietvorst, Design U.S. Appl. No. 29/554,942, filed Feb. 17, 2016.
Taco Dietvorst, Design U.S. Appl. No. 29/554,944, filed Feb. 17, 2016.
Taco Dietvorst, Design U.S. Appl. No. 29/554,947, filed Feb. 17, 2016.
Taco Dietvorst, Design U.S. Appl. No. 29/554,949, filed Feb. 17, 2016.

Taco Dietvorst, Design U.S. Appl. No. 29/554,952, filed Feb. 17, 2016.

Taco Dietvorst, Design U.S. Appl. No. 29/554,937, filed Feb. 17, 2016.

Taco Dietvorst, Design U.S. Appl. No. 29/554,943, filed Feb. 17, 2016.

Taco Dietvorst, Design U.S. Appl. No. 29/554,945, filed Feb. 17, 2016.

Taco Dietvorst, Design U.S. Appl. No. 29/554,948, filed Feb. 17, 2016.

Taco Dietvorst, Design U.S. Appl. No. 29/554,959, filed Feb. 17, 2016.

Taco Dietvorst, Design U.S. Appl. No. 29/554,960, filed Feb. 17, 2016.

Taco Dietvorst, Design U.S. Appl. No. 29/554,961, filed Feb. 17, 2016.

Taco Dietvorst, Design U.S. Appl. No. 29/554,965, filed Feb. 17, 2016.

* cited by examiner

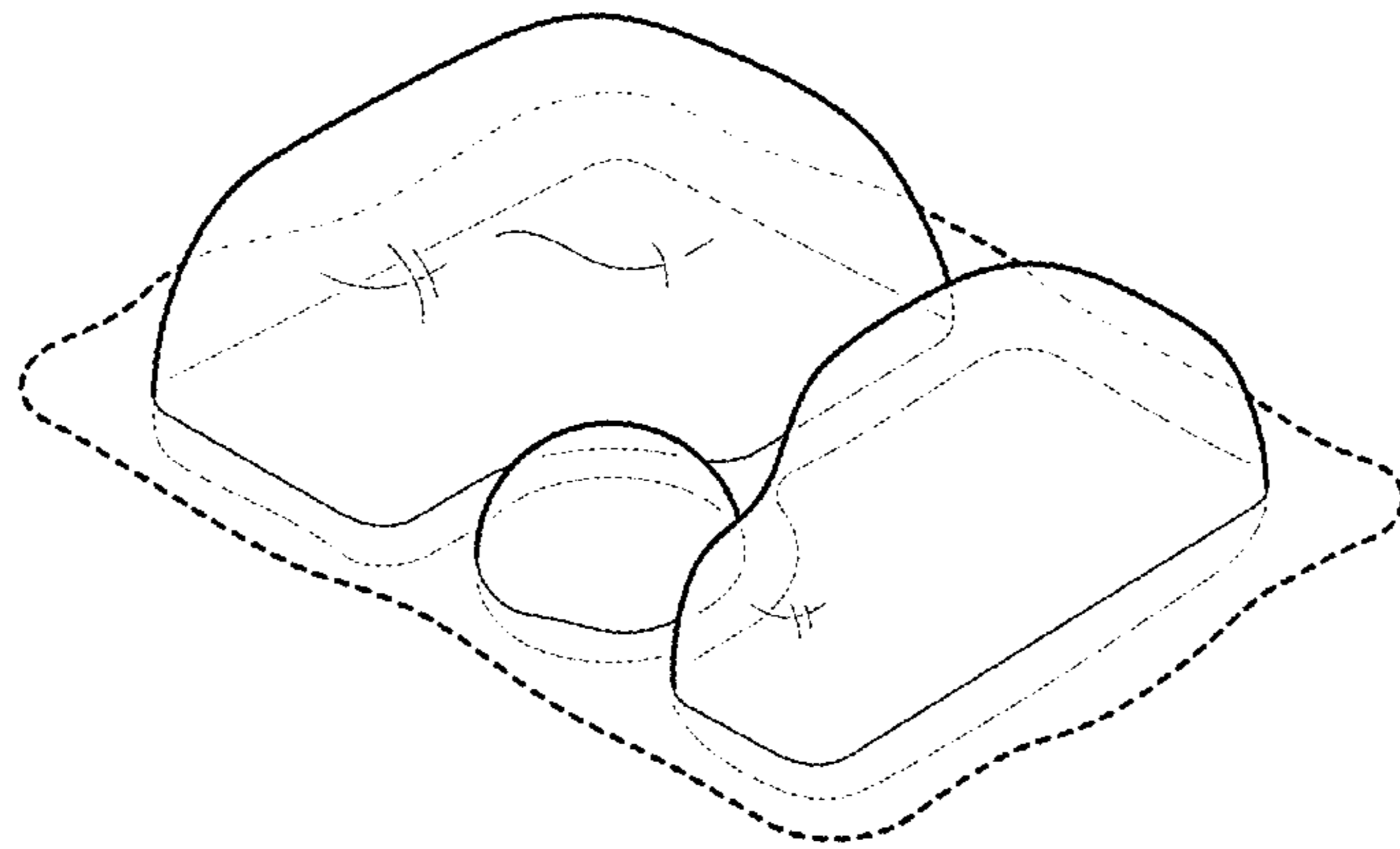


Fig. 1

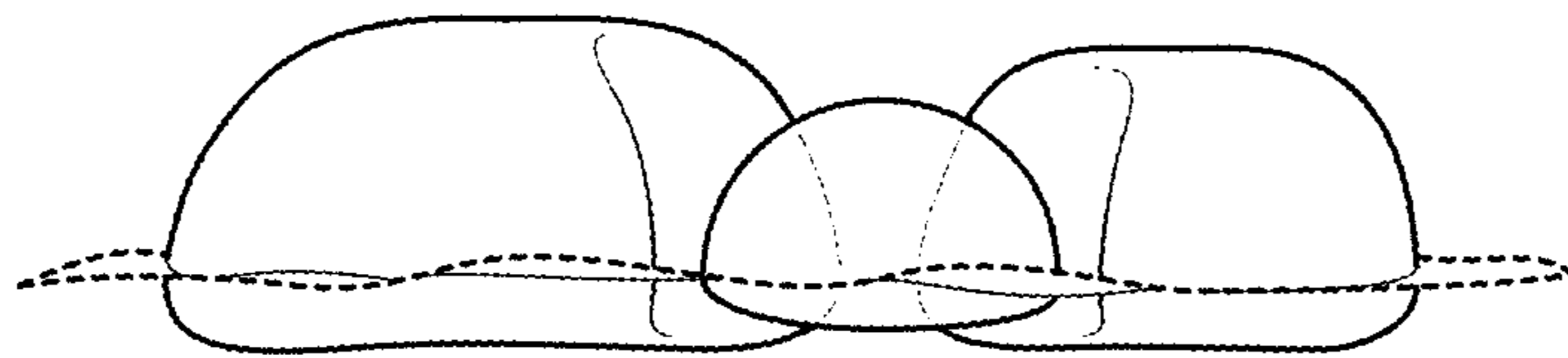


Fig. 2

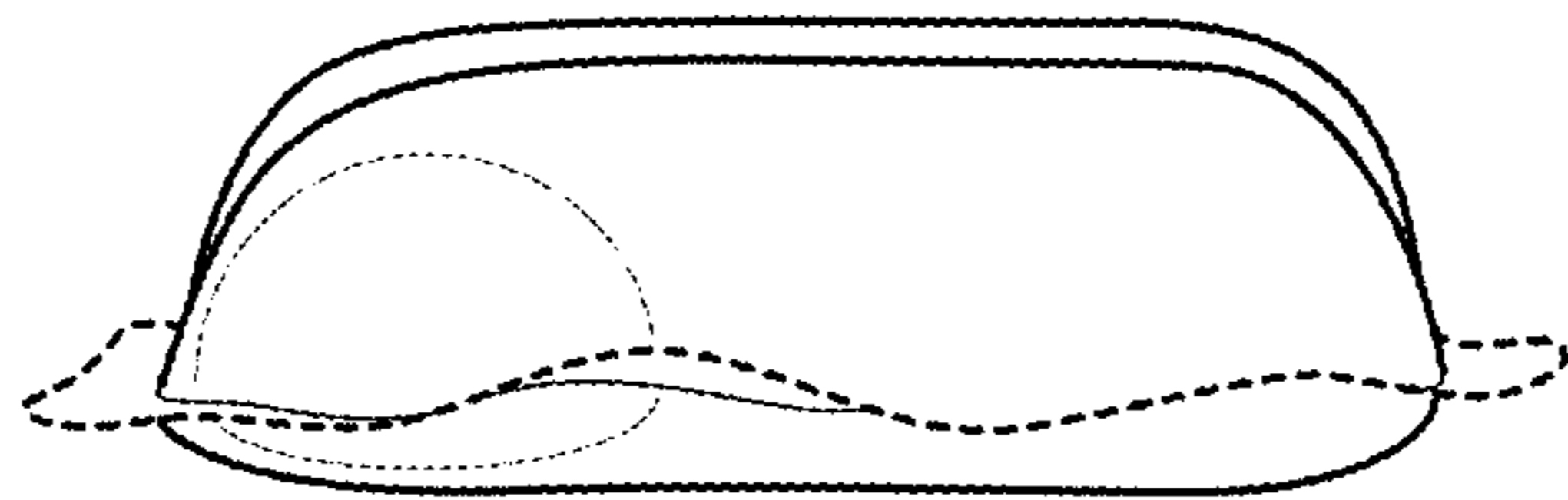


Fig. 3

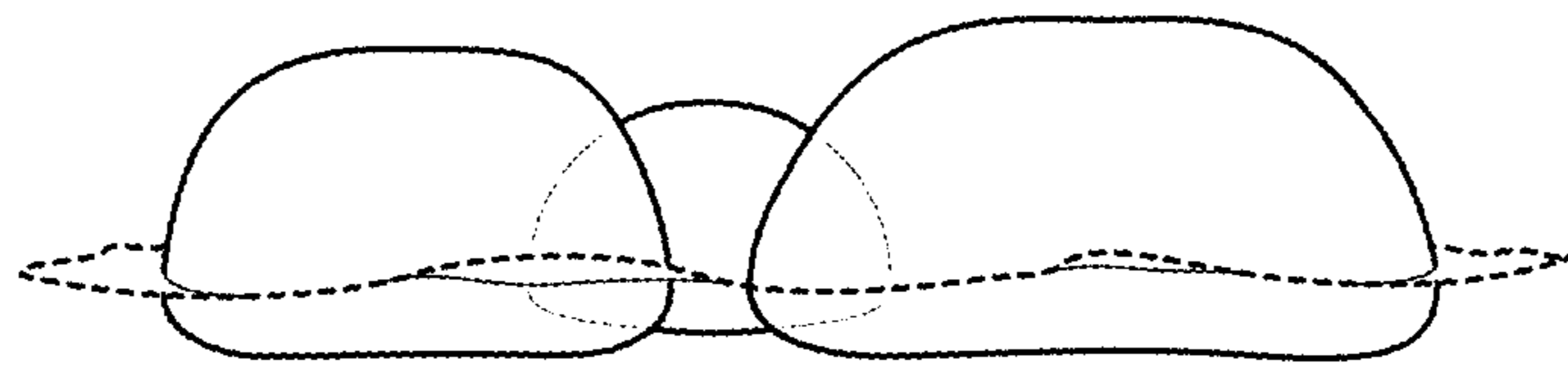


Fig. 4

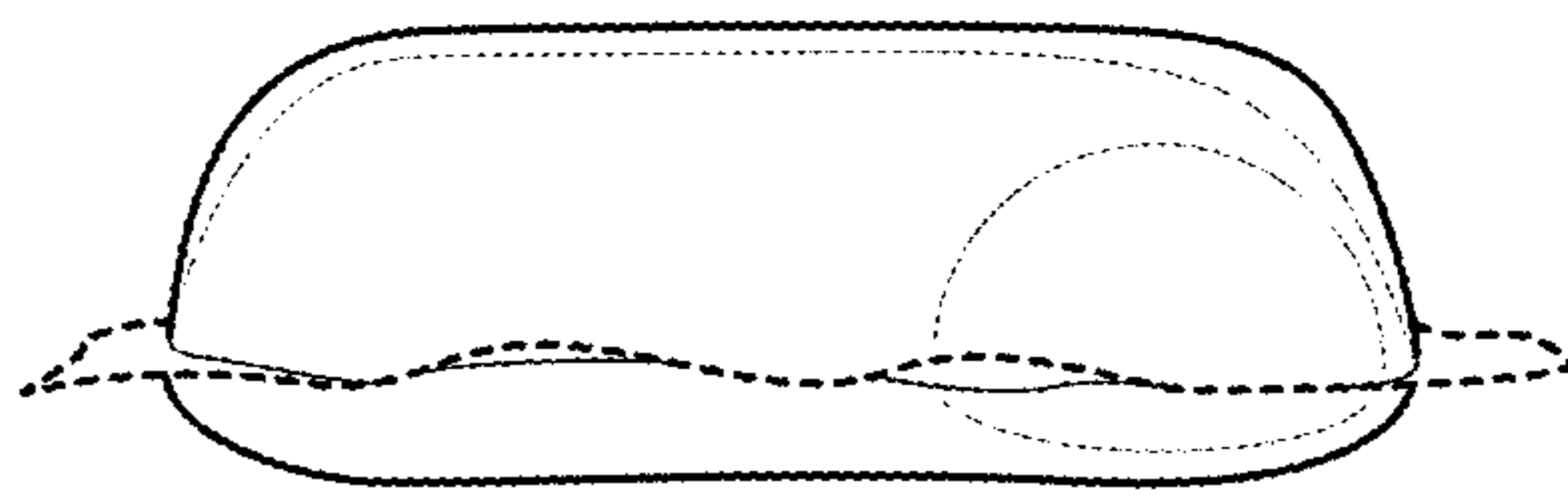


Fig. 5

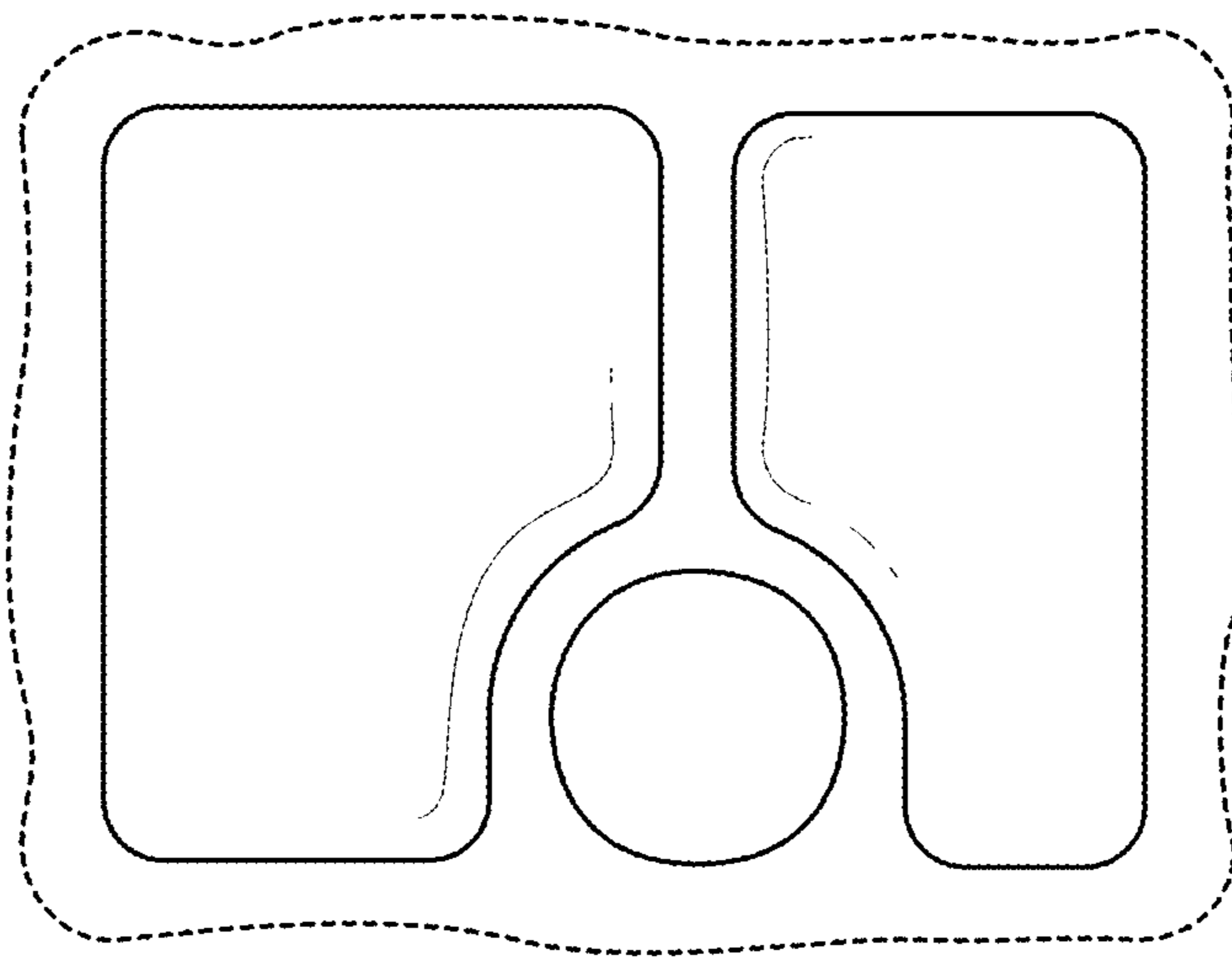


Fig. 6

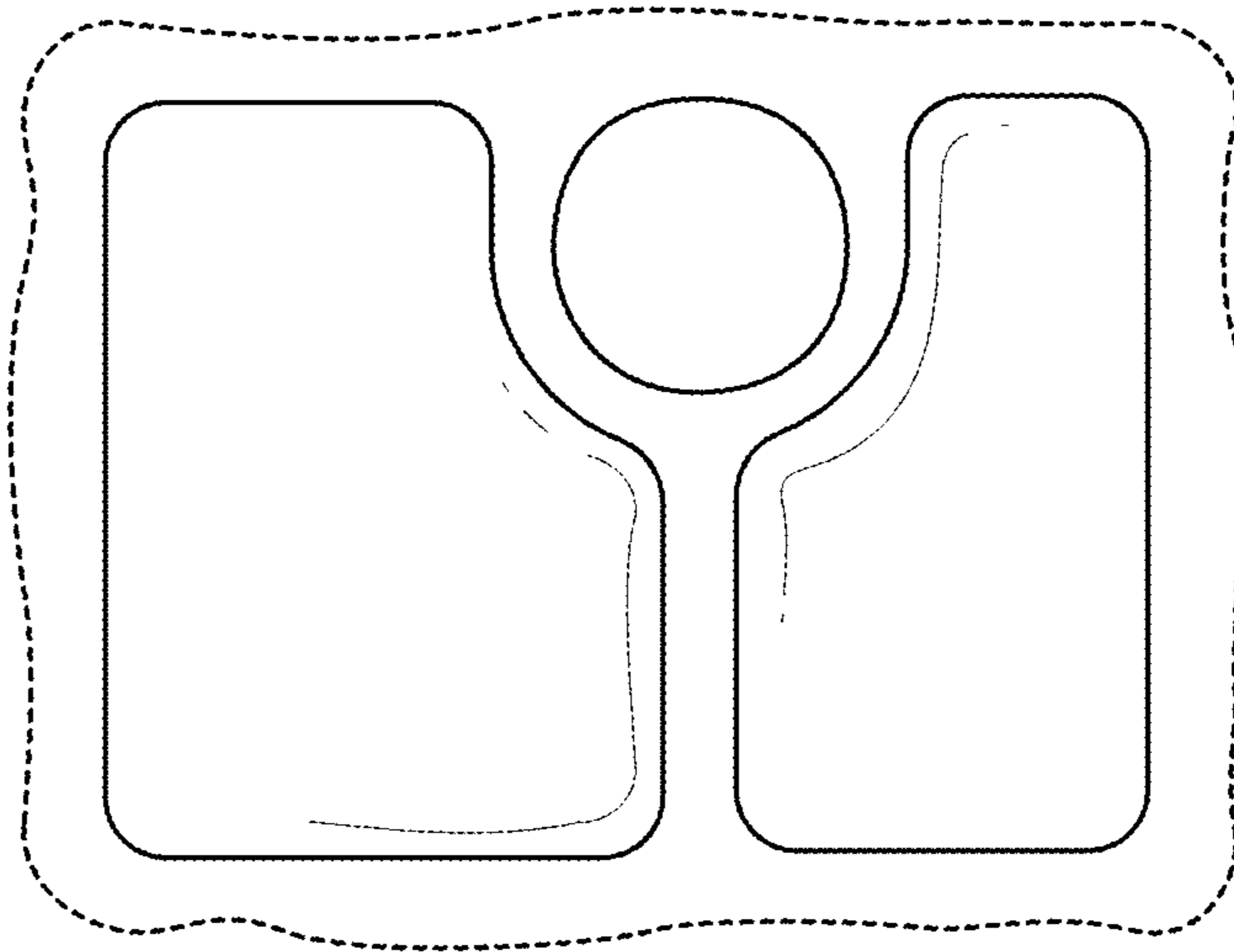


Fig. 7