



US00D804721S

(12) **United States Design Patent** (10) **Patent No.:** **US D804,721 S**
Ghiotti et al. (45) **Date of Patent:** **** Dec. 5, 2017**

- (54) **CONTAINER FOR POUCHES OF SMOKELESS TOBACCO**
- (71) Applicant: **AZIONARIA COSTRUZIONI MACCHINE AUTOMATICHE A.C.M.A. S.p.A.**, Bologna (IT)
- (72) Inventors: **Roberto Ghiotti**, Calderino di Monte San Pietro (IT); **Fulvio Boldrini**, Ferrara (IT)
- (73) Assignee: **AZIONARIA COSTRUZIONI MACCHINE AUTOMATICHE A.C.M.A. S.P.A.**, Bologna (IT)
- (**) Term: **15 Years**
- (21) Appl. No.: **29/559,787**
- (22) Filed: **Mar. 31, 2016**

Related U.S. Application Data

- (62) Division of application No. 29/502,247, filed on Sep. 12, 2014, which is a division of application No. 29/388,822, filed on Apr. 1, 2011, now Pat. No. Des. 713,598, which is a division of application No. 29/365,192, filed on Jul. 6, 2010, now Pat. No. Des. 637,903.

(30) **Foreign Application Priority Data**

- Jan. 21, 2010 (IT) BO2010O000001
- (51) **LOC (10) Cl.** **27-06**
- (52) **U.S. Cl.**
USPC **D27/186**; D9/737
- (58) **Field of Classification Search**
USPC D9/428, 500-505, 737, 756, 772, 780;
D3/203.2, 203.3; D27/172, 183, 186,
D27/189, 190
CPC B65D 1/36; B65D 2543/00694; B65D
2543/00805; A24F 23/00; A24F 23/02
See application file for complete search history.

- (56) **References Cited**
U.S. PATENT DOCUMENTS
700,395 A 5/1902 Wilcox et al.
2,597,130 A 5/1952 Ross et al.
D167,554 S 8/1952 Bergman
3,334,731 A 8/1967 Dale et al.
3,398,827 A * 8/1968 Laskin A47G 23/06
206/499
(Continued)

- OTHER PUBLICATIONS**
Ghiotti—U.S. Appl. No. 29/502,247, filed Sep. 12, 2014.
(Continued)

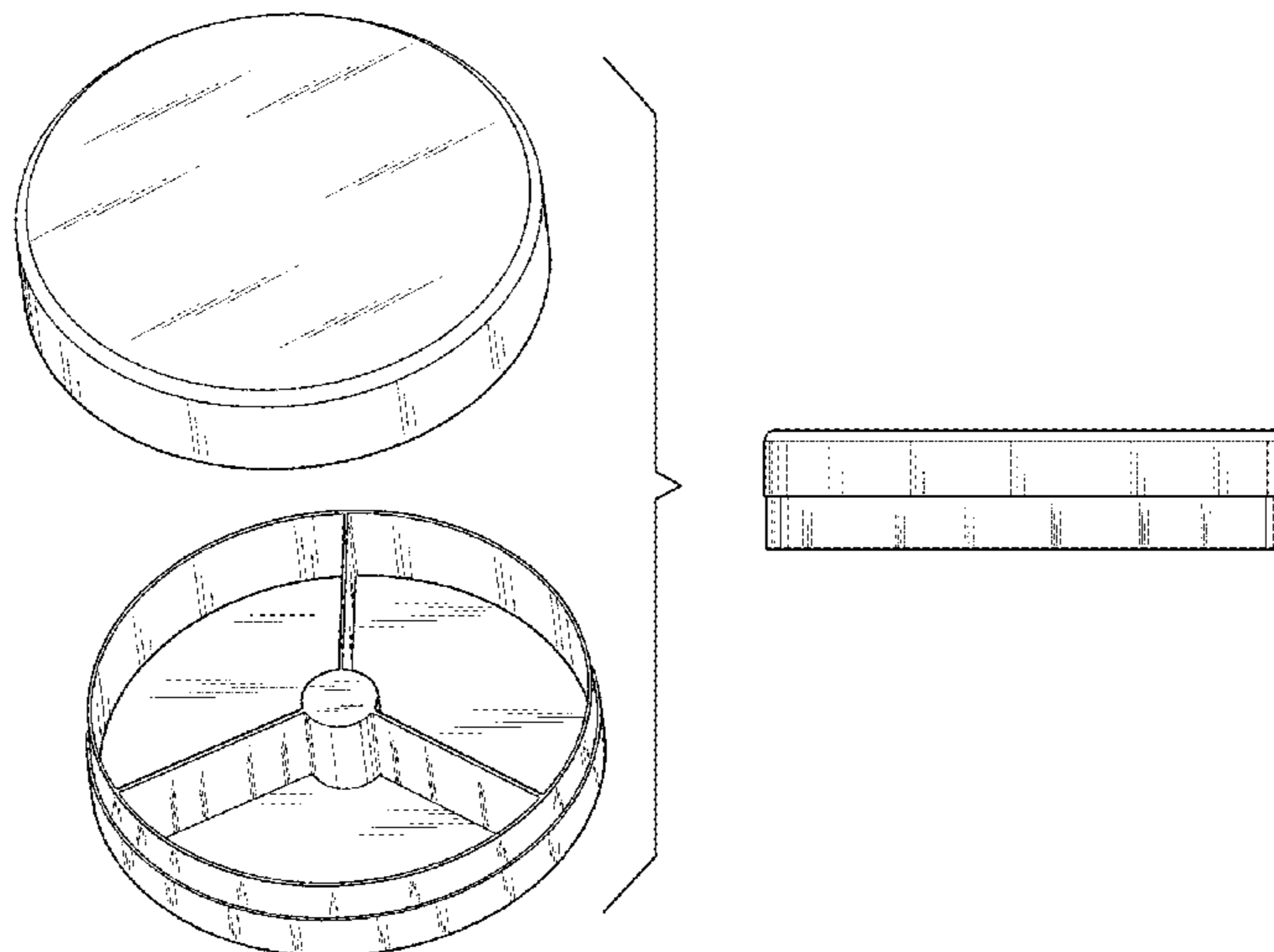
Primary Examiner — Ian Simmons
Assistant Examiner — Keith Frank
 (74) *Attorney, Agent, or Firm* — Timothy J. Klima;
 Shuttleworth & Ingersoll, PLC

- (57) **CLAIM**
The ornamental design for a container for pouches of smokeless tobacco, as shown and described.

DESCRIPTION

FIG. 1 is an exploded perspective view of a container for pouches of smokeless tobacco and base separated, showing our new design;
 FIG. 2 is a top plan view thereof without the lid;
 FIG. 3 is a side view thereof without the lid;
 FIG. 4 is a side view thereof with the lid; and,
 FIG. 5 is a top plan view of the container, shown without the lid and illustrating the pouches of tobacco ready for use.
 The broken lines in FIG. 5 showing pouches of smokeless tobacco in the container is included for the purpose of illustrating environmental subject matter only and forms no part of the claimed design.

1 Claim, 1 Drawing Sheet



(56)

References Cited

U.S. PATENT DOCUMENTS

D223,056 S * 3/1972 Majewski D18/17
 D262,839 S 2/1982 Daenen et al.
 4,432,529 A 2/1984 McMillan
 4,646,933 A 3/1987 Jurczenia et al.
 D293,298 S 12/1987 Picard et al.
 4,804,101 A 2/1989 Heath
 5,029,723 A 7/1991 Lo
 D321,284 S 11/1991 Marsella et al.
 D332,328 S 1/1993 Lombardi, Jr.
 D333,931 S 3/1993 Wein
 D379,138 S 5/1997 Carlson
 D409,086 S 5/1999 Brown et al.
 D426,265 S 6/2000 Black
 D431,458 S 10/2000 Bried et al.
 D451,666 S 12/2001 Zastrow
 D494,474 S 8/2004 Pace et al.
 D496,271 S 9/2004 Hoeltgen
 D510,524 S 10/2005 Houk et al.
 D515,928 S * 2/2006 Pace D9/504
 D531,036 S 10/2006 Bried et al.
 D548,070 S 8/2007 Swain
 D557,602 S 12/2007 Terrasi
 7,326,428 B2 2/2008 Weir
 D581,809 S 12/2008 Wichowski
 D600,441 S 9/2009 Estrada
 D603,698 S 11/2009 VerWeyst
 D608,084 S * 1/2010 Anson D3/203.3
 D612,094 S 3/2010 Bellamah et al.
 D621,603 S * 8/2010 Traylor D3/203.2
 7,798,319 B1 9/2010 Bried et al.
 D626,687 S 11/2010 Gibson et al.
 D637,903 S 5/2011 Ghiotti et al.
 D641,257 S 7/2011 Thiebaut et al.
 7,987,978 B1 8/2011 Lam
 D649,284 S 11/2011 Patel et al.
 D649,869 S 12/2011 Gibson et al.
 D650,267 S 12/2011 Gibson et al.
 D650,268 S 12/2011 Gibson et al.
 D651,519 S 1/2012 Gibson et al.
 D660,693 S 5/2012 Berggren
 D664,840 S 8/2012 Jones et al.
 D665,252 S * 8/2012 Mulready D9/418

D665,253 S 8/2012 Bellamah et al.
 8,250,975 B2 8/2012 Cronin et al.
 D675,516 S 2/2013 Horton et al.
 D684,433 S 6/2013 Schwartz et al.
 D686,915 S * 7/2013 Harvey D9/428
 D688,938 S 9/2013 Bailey et al.
 D701,567 S * 3/2014 Abdullah D19/77
 D707,446 S 6/2014 Svahn
 D717,165 S 11/2014 Kwak et al.
 D735,054 S * 7/2015 Nelaas D9/707
 D738,745 S * 9/2015 Neias D9/707
 D744,160 S * 11/2015 Neias D27/193
 D768,511 S * 10/2016 Kovacovich D27/183
 D779,811 S * 2/2017 Van Lanschot D3/203.3
 2005/0173272 A1 8/2005 Lemmons, IV
 2006/0018786 A1 1/2006 Tolman et al.
 2006/0060480 A1 3/2006 Budd
 2007/0110928 A1 * 5/2007 Bried B65D 1/22
 428/34.1
 2007/0163911 A1 7/2007 Gelardi
 2008/0215440 A1 9/2008 Peterson et al.
 2009/0162506 A1 6/2009 Weir
 2010/0012534 A1 * 1/2010 Hoffman B21D 51/44
 206/265
 2010/0018883 A1 1/2010 Patel
 2010/0043812 A1 2/2010 Yount
 2010/0065076 A1 3/2010 Bergstrom et al.
 2010/0065077 A1 3/2010 Lofgreen-Ohrn et al.
 2010/0307113 A1 * 12/2010 Bried A24F 23/00
 53/400

OTHER PUBLICATIONS

Ghiotti—U.S. Appl. No. 29/502,250, filed Sep. 12, 2014.
 Ghiotti—U.S. Appl. No. 29/502,254, filed Sep. 12, 2014.
 Ghiotti—U.S. Pat. No. D637,903 dated May 17, 2011.
 Ghiotti—U.S. Pat. No. D683,497 dated May 28, 2013.
 Ghiotti—U.S. Pat. No. D683,498 dated May 28, 2013.
 Ghiotti—U.S. Pat. No. D713,598 dated Sep. 16, 2014.
 Ghiotti—Reexamination No. 90/013,027, filed Oct. 15, 2013 [U.S. Pat. No. D637903].
 Ghiotti—Reexamination No. 90/013,128, filed Jan. 22, 2014 [U.S. Pat. No. D683497].

* cited by examiner

FIG.1

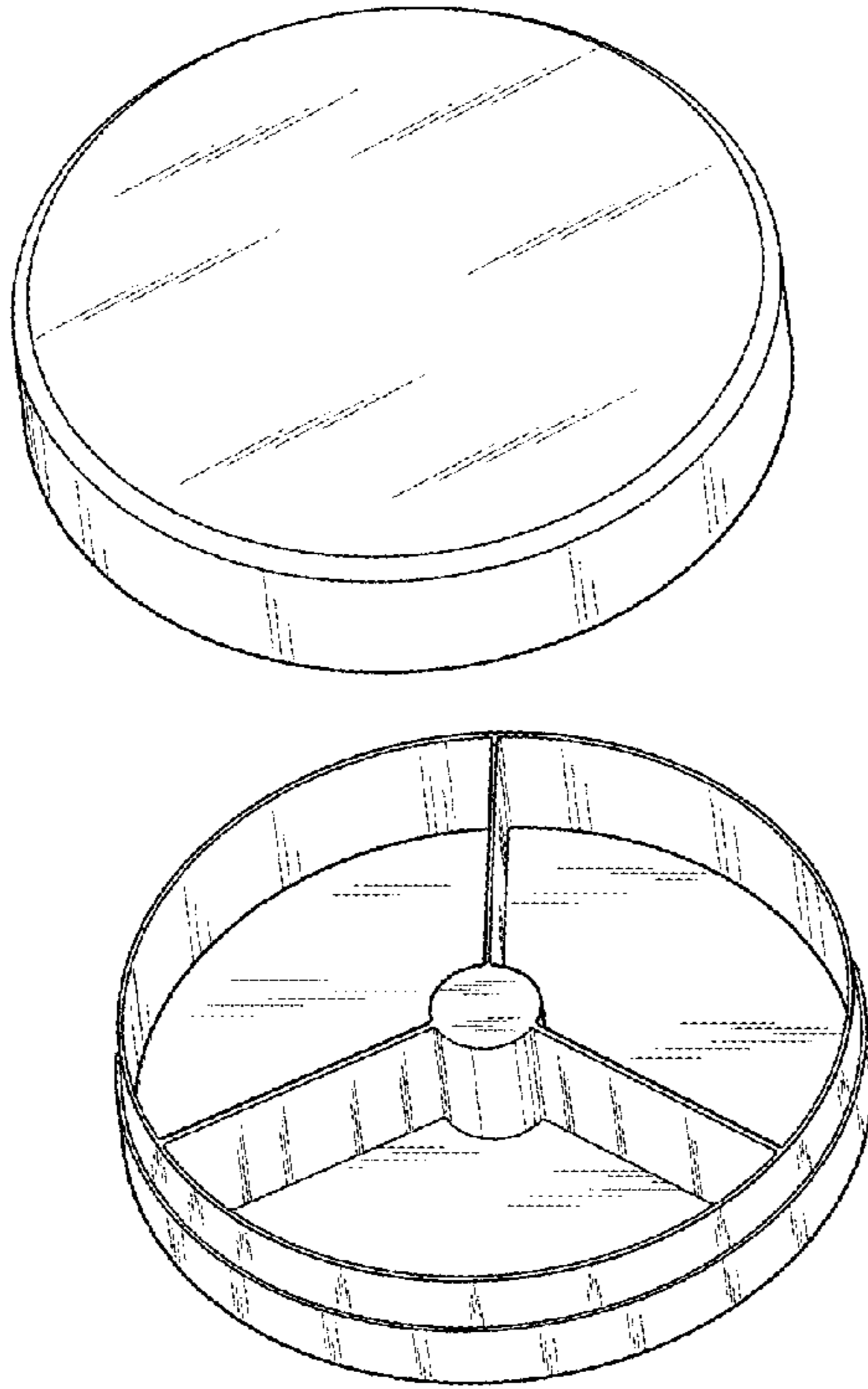


FIG.2

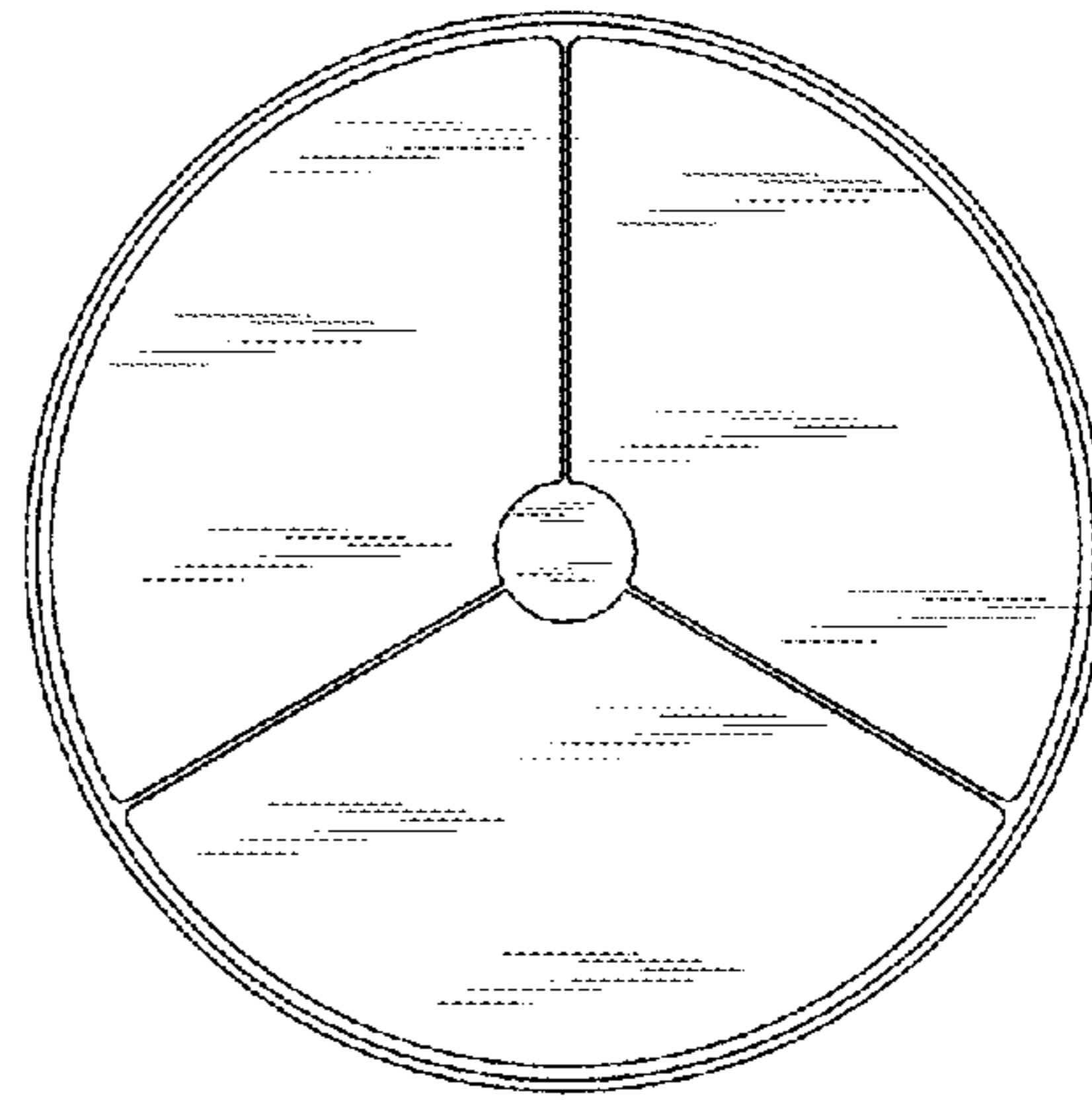


FIG.3

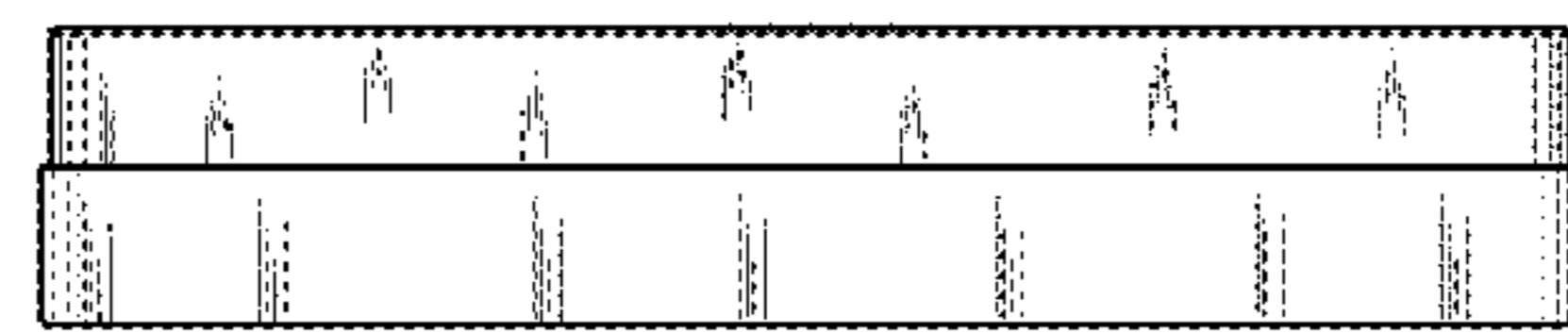


FIG.4

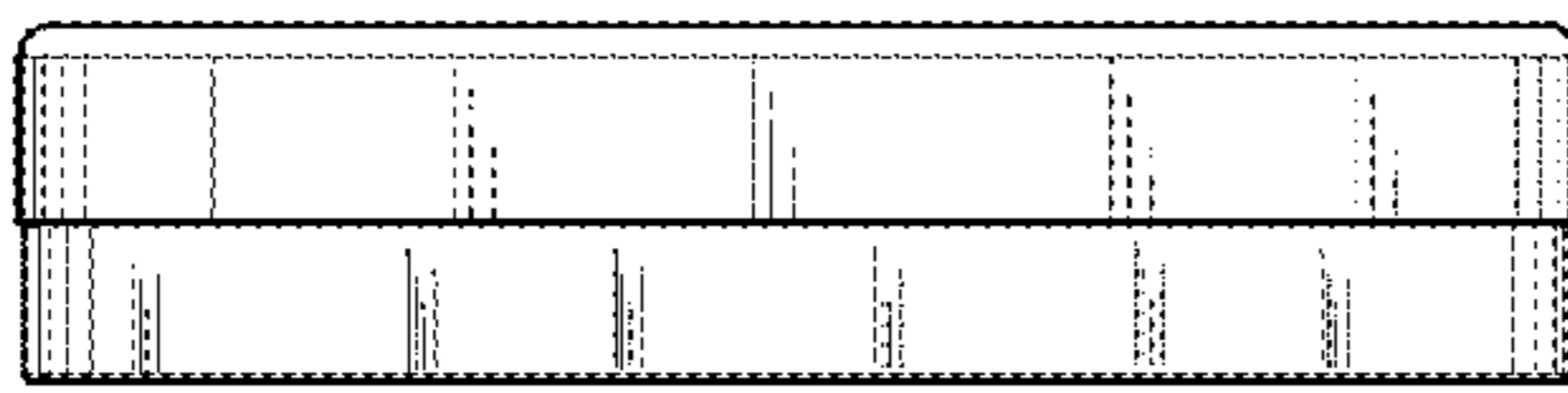


FIG.5

