



US00D804717S

(12) **United States Design Patent** (10) **Patent No.:** **US D804,717 S**
Wang et al. (45) **Date of Patent:** **** Dec. 5, 2017**

(54) **ELECTRONIC CIGARETTE**
(71) Applicant: **Yeyo International Inc.**, Guangdong (CN)
(72) Inventors: **Zeqi Wang**, Guangdong (CN); **Gehui Pang**, Guangdong (CN)
(**) Term: **15 Years**
(21) Appl. No.: **29/571,811**
(22) Filed: **Jul. 21, 2016**
(51) **LOC (10) Cl.** **27-01**
(52) **U.S. Cl.**
USPC **D27/101**
(58) **Field of Classification Search**
USPC D27/101, 100, 106, 108, 139, 141, 142, D27/163, 165, 169, 172, 174, 175, 183, D27/186-190, 193, 194, 195; D24/100, D24/110; 131/270, 273, 274, 191, 330, 131/329; D7/300, 300.1, 312, 313, 500, D7/509, 514, 515; D9/516, 545, 549, D9/551, 520, 522, 445
CPC A24F 47/002; A24F 47/004; A24F 47/006; A24F 47/008; A61M 15/06
See application file for complete search history.

D765,907 S * 9/2016 Liu D27/101
D776,869 S * 1/2017 Heidl D27/163
D784,610 S * 4/2017 Bosch D27/101
D785,859 S * 5/2017 Pang D27/101
2014/0053857 A1* 2/2014 Liu A24F 47/008
131/329
2014/0182610 A1* 7/2014 Liu A24F 47/008
131/329
2017/0006923 A1* 1/2017 Li A24F 47/008

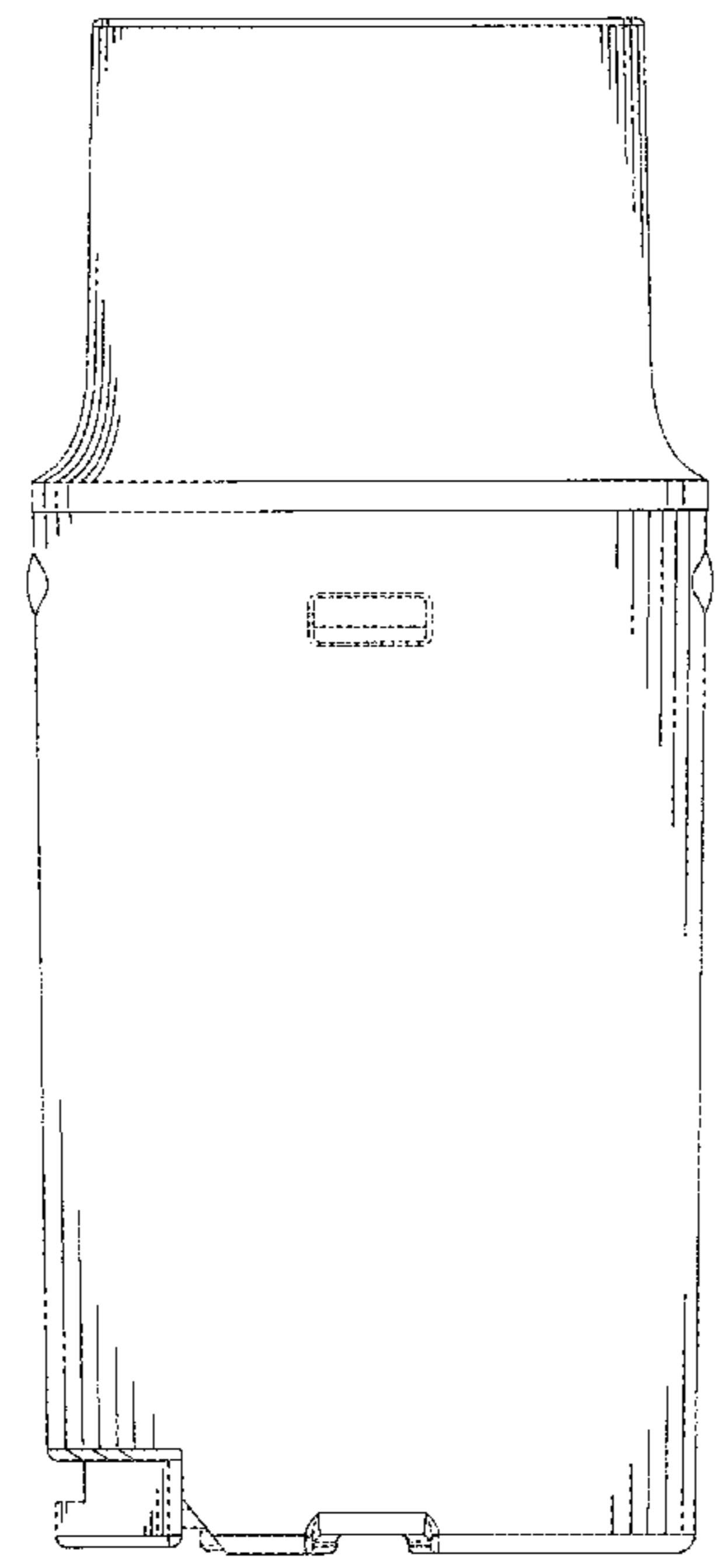
* cited by examiner
Primary Examiner — Susan Bennett Hattan
Assistant Examiner — Rebecca Tsehaye
(74) *Attorney, Agent, or Firm* — Prakash Nama; Global IP Services, PLLC

(57) **CLAIM**
The ornamental design for an electronic cigarette, as shown and described.

DESCRIPTION
FIG. 1 is a front elevation view of an electronic cigarette showing my new design;
FIG. 2 is a rear elevation view thereof;
FIG. 3 is a left side elevation view thereof;
FIG. 4 is a right side elevation view thereof;
FIG. 5 is a top plan view thereof;
FIG. 6 is a bottom plan view thereof;
FIG. 7 is a front perspective view thereof;
FIG. 8 is a rear perspective view thereof;
FIG. 9 is a top front perspective view thereof; and,
FIG. 10 is a bottom rear perspective view thereof.
The broken lines in the drawing depict parts of the electronic cigarette that form no part of the claimed design.

1 Claim, 8 Drawing Sheets

(56) **References Cited**
U.S. PATENT DOCUMENTS
D547,859 S * 7/2007 Choi D24/113
D653,803 S * 2/2012 Timmermans D27/163
D720,881 S * 1/2015 Liu D27/101
D721,202 S * 1/2015 Liu D27/101
D725,310 S * 3/2015 Eksouzian D27/101
D759,303 S * 6/2016 Afridi D27/101
D760,948 S * 7/2016 Eksouzian D27/101



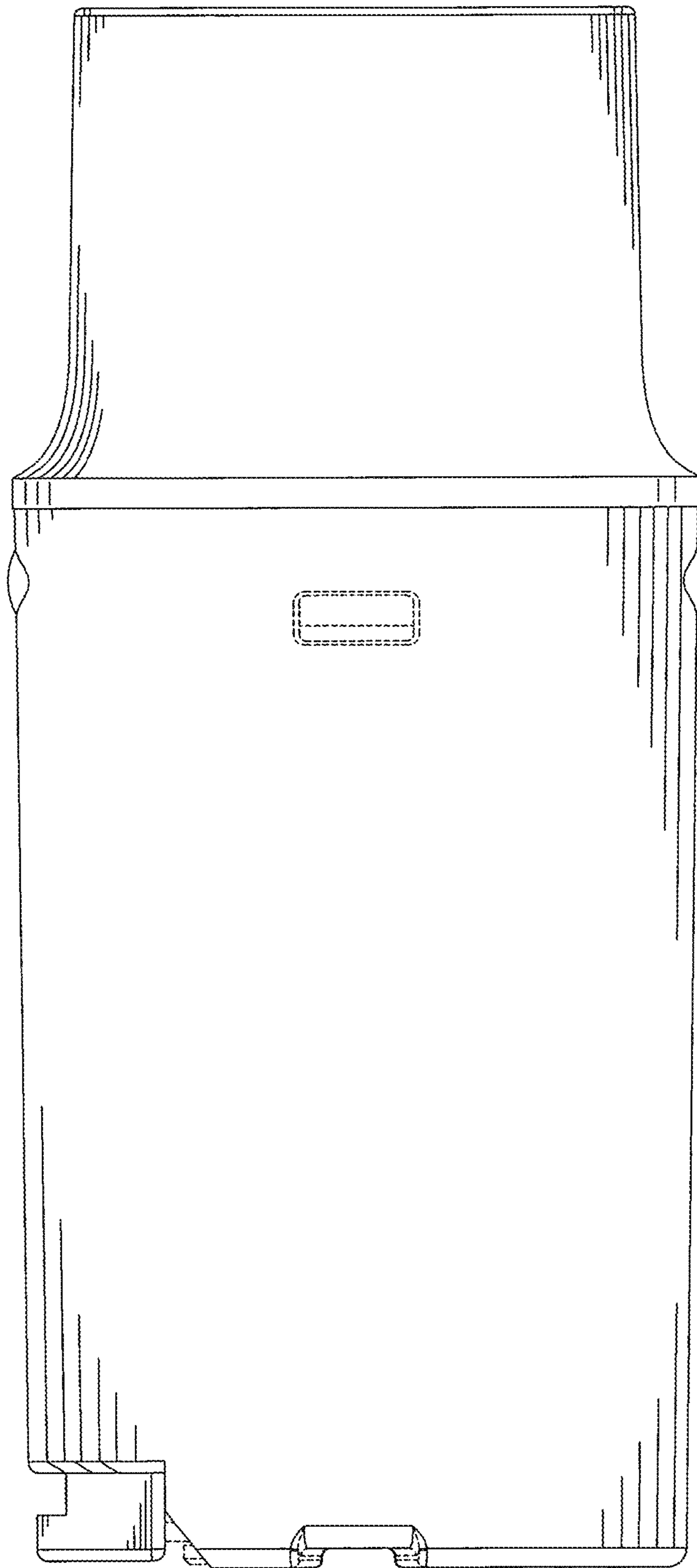


FIG. 1

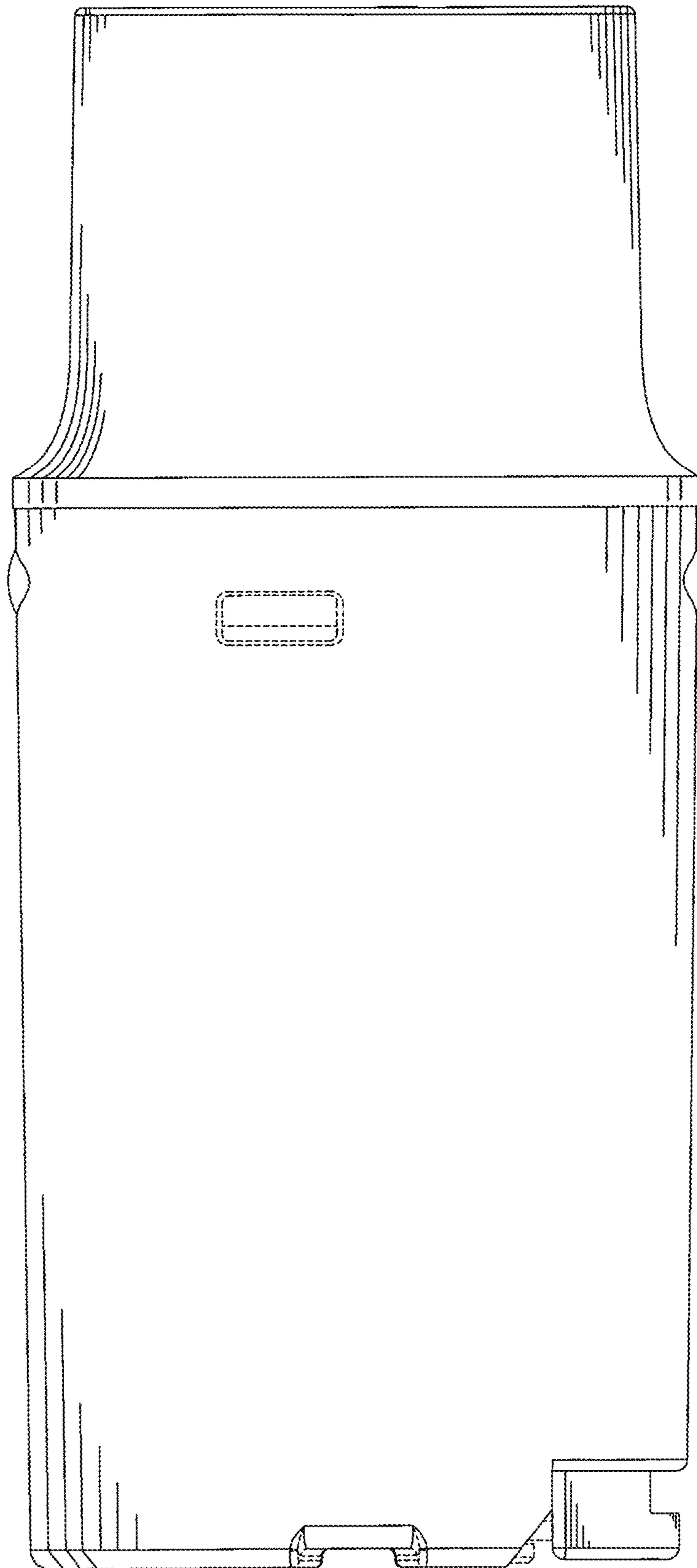


FIG. 2

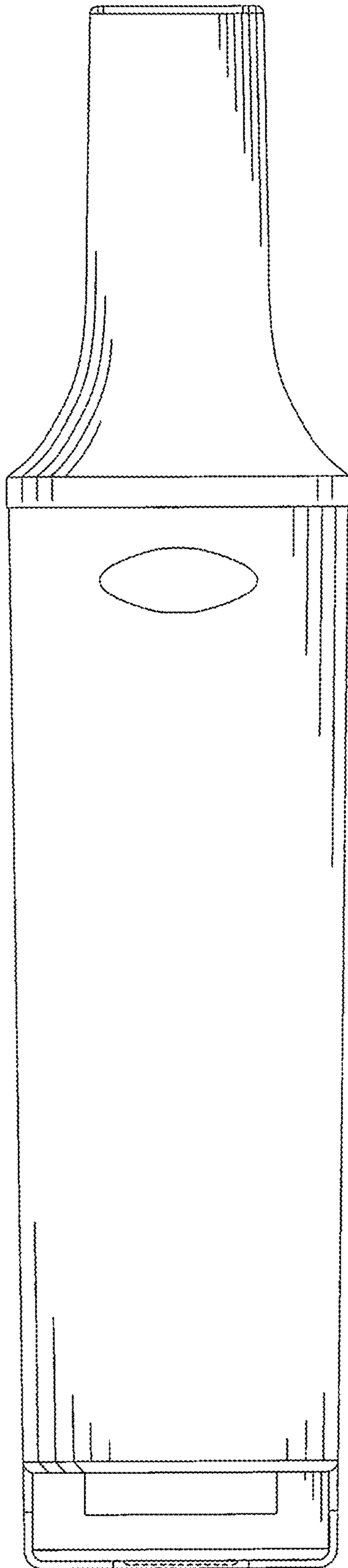


FIG. 3

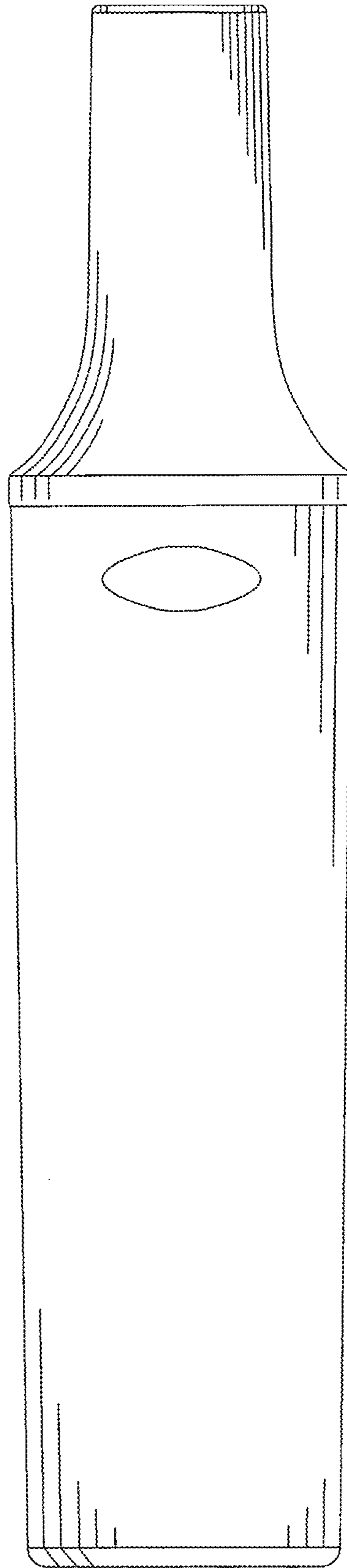


FIG. 4

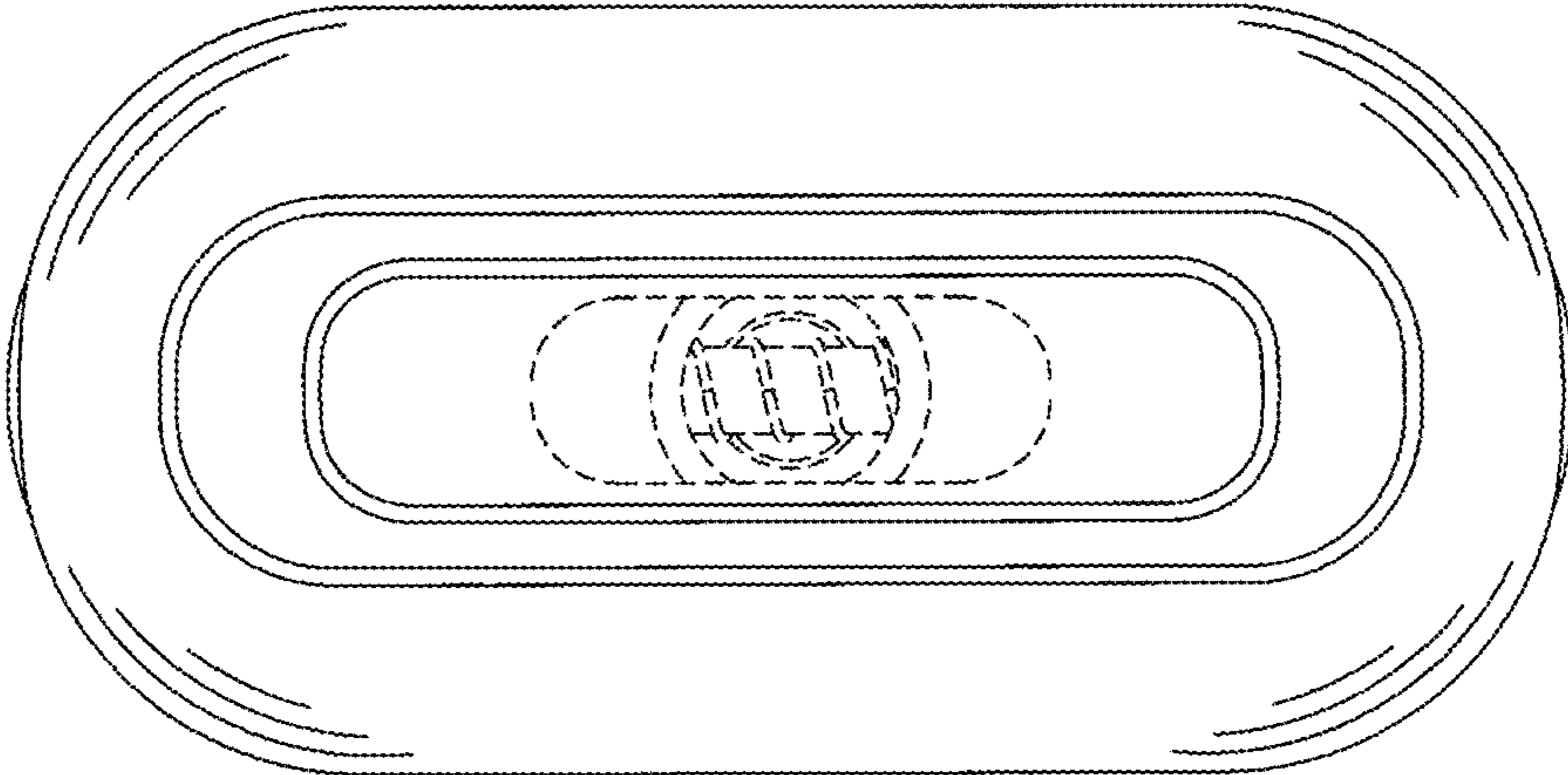


FIG. 5

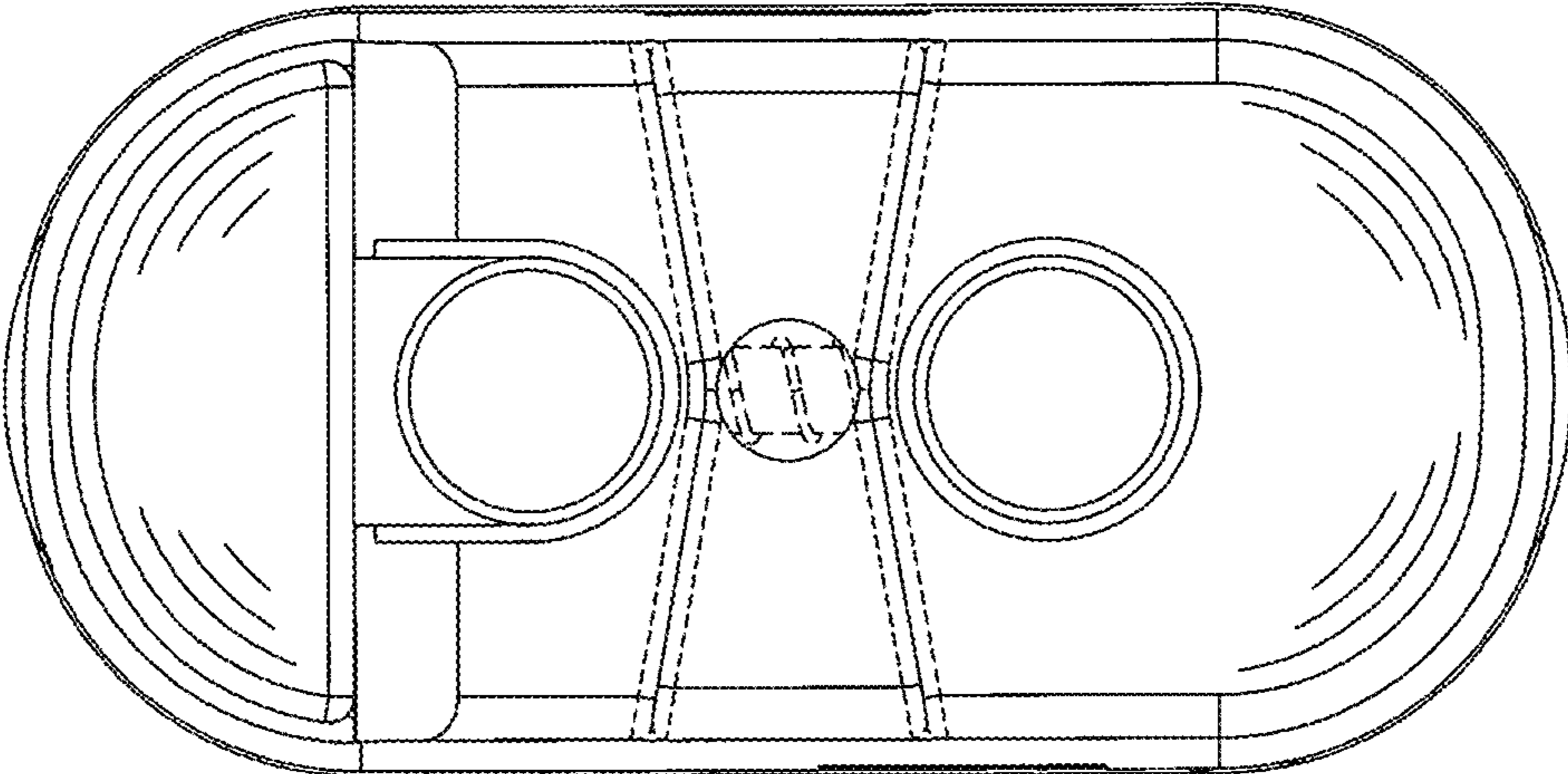


FIG. 6

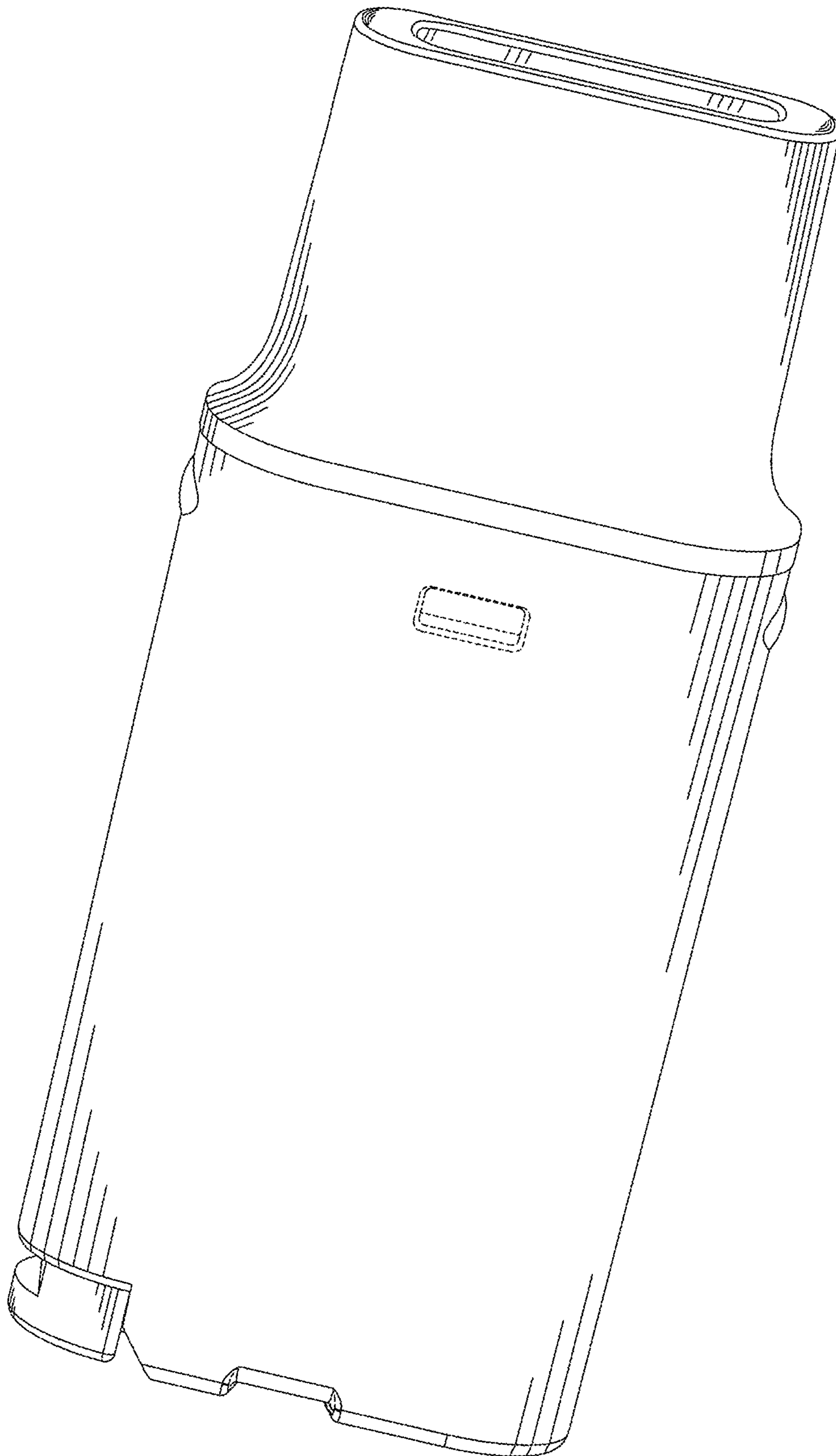


FIG. 7

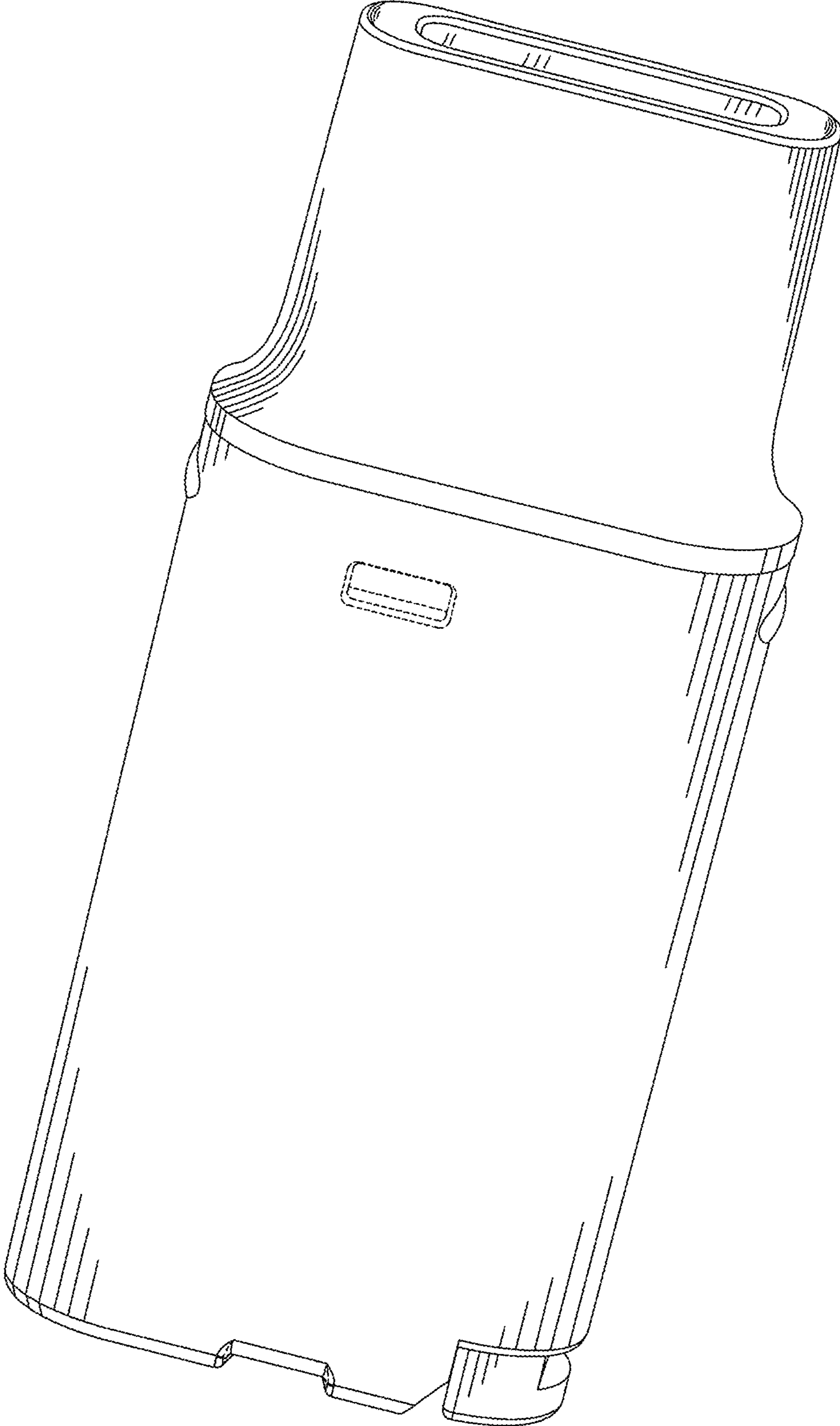


FIG. 8

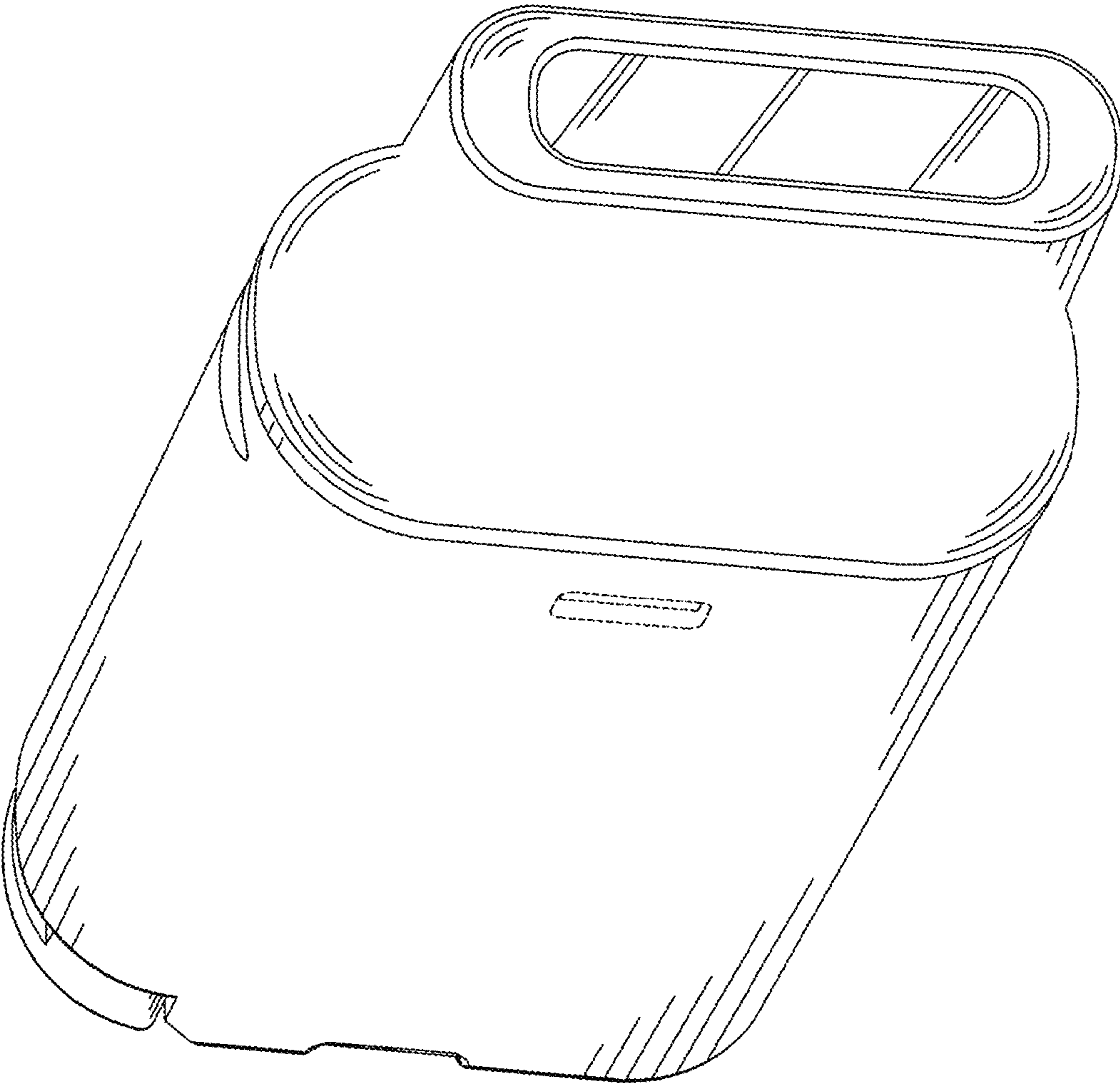


FIG. 9

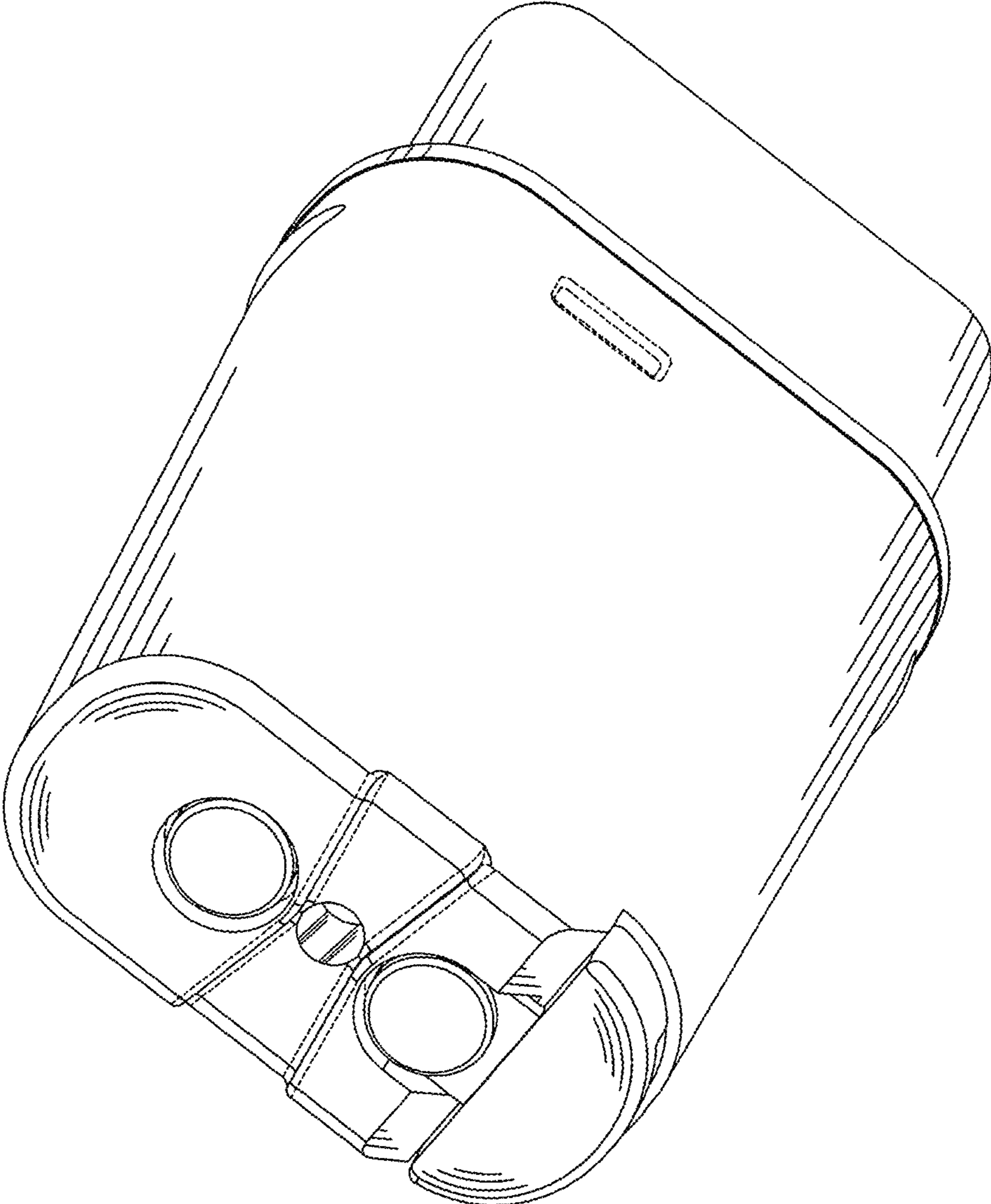


FIG. 10