

US00D804716S

(12) **United States Design Patent** (10) **Patent No.:** **US D804,716 S**
Nahabedian et al. (45) **Date of Patent:** **** Dec. 5, 2017**

(54) **LIGHTING FIXTURE**

D142,285 S * 8/1945 Kelly D26/154
D389,420 S * 1/1998 Campman D10/114.9
D403,796 S 1/1999 Crosby
(Continued)

(71) Applicant: **Boyd Lighting Fixture Company,**
Sausalito, CA (US)

(72) Inventors: **Thomas J. Nahabedian,** Chicago, IL
(US); **Mark A. Gaynor,** San Francisco,
CA (US)

(73) Assignee: **Boyd Lighting Fixture Company,**
Sausalito, CA (US)

(**) Term: **15 Years**

(21) Appl. No.: **29/572,923**

(22) Filed: **Aug. 1, 2016**

OTHER PUBLICATIONS

Peace Icicle, available from Search Sociallight—Orament Design
Ball & Auction, Carly Mosher, printed Jun. 13, 2014, 3-pages,
available online at <http://www.boydlighting.com/sociallight/2012/12/ornament-design-ball-auction/>, Dec. 11, 2012.

(Continued)

Primary Examiner — George D. Kirschbaum

Assistant Examiner — Natasha Vujcic

(74) *Attorney, Agent, or Firm* — Heslin Rothenberg
Farley & Mesiti P.C.

Related U.S. Application Data

(63) Continuation of application No. 29/497,472, filed on
Jul. 24, 2014, now Pat. No. Des. 763,500.

(51) **LOC (10) Cl.** **26-05**

(52) **U.S. Cl.**
USPC **D26/154**

(58) **Field of Classification Search**
USPC D26/76, 78, 79, 80, 81, 82, 83, 85, 86,
D26/88, 90, 113, 118, 119, 120, 121, 122,
D26/138, 139, 140, 141, 142, 152, 154
CPC F21S 2/00; F21S 4/00; F21S 4/003; F21S
4/005; F21S 4/006; F21S 4/007; F21S
4/008; F21S 6/00; F21S 8/00; F21S
8/024; F21S 8/026; F21S 8/031; F21S
8/033; F21S 8/035–8/037; F21S 8/04;
F21S 8/043; F21S 8/063

See application file for complete search history.

(56) **References Cited**

U.S. PATENT DOCUMENTS

D51,781 S * 2/1918 Gothberg D26/153
D121,211 S * 6/1940 Levin D26/154

(57) **CLAIM**

The ornamental design for a lighting fixture, as shown and
described.

DESCRIPTION

FIG. 1 is a perspective view a lighting fixture in accordance
with the new design;

FIG. 2 is a front elevational view thereof;

FIG. 3 is a left side elevational view thereof;

FIG. 4 is a right side elevational view thereof;

FIG. 5 is a bottom view thereof;

FIG. 6 is a perspective view of another embodiment of the
lighting fixture with an upper portion being opaque and a
lower portion being transparent or translucent in accordance
with the new design;

FIG. 7 is a front elevational view thereof;

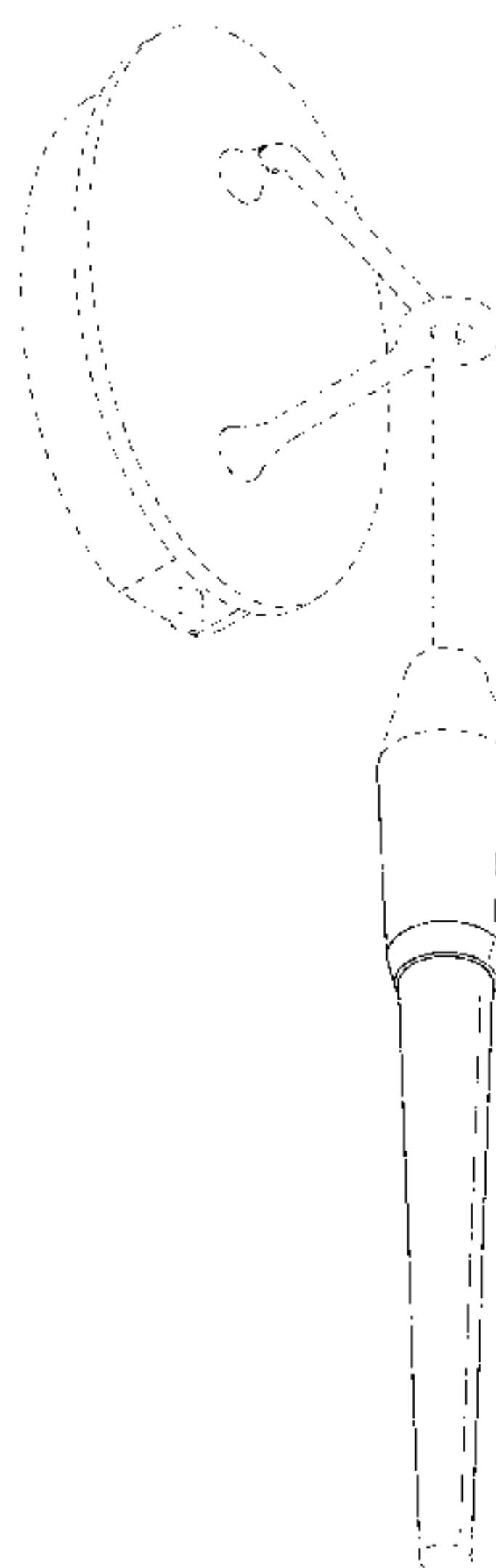
FIG. 8 is a left side elevational view thereof;

FIG. 9 is a right side elevational view thereof; and,

FIG. 10 is a bottom view thereof.

The broken lines showing portion of the lighting fixture in
the figures illustrate environmental structures and form no
part of the claimed invention.

1 Claim, 8 Drawing Sheets



(56)

References Cited

U.S. PATENT DOCUMENTS

6,213,623	B1	4/2001	Campman	
D442,317	S	5/2001	Crosby	
D442,728	S	5/2001	Littman	
D547,893	S	7/2007	Vice	
D556,372	S	11/2007	Chan	
D610,740	S *	2/2010	Mark	D26/113
D622,438	S *	8/2010	Sasada	D26/113
D622,439	S *	8/2010	Mark	D26/113
D626,685	S *	11/2010	Gut	D26/154
7,845,820	B2	12/2010	Bertken	
D630,375	S *	1/2011	Martin	D26/138
D646,426	S *	10/2011	Wolk	D26/85
D659,899	S	5/2012	Kong et al.	
8,348,465	B2	1/2013	Schrimmer et al.	
D763,500	S	8/2016	Nahabedian et al.	
D766,500	S *	9/2016	Nahabedian	D26/154
D793,595	S *	8/2017	Lesperance	D26/37
2006/0203478	A1	9/2006	Waters	

OTHER PUBLICATIONS

Colorful Electronic Flash Stick Glow Sticks, available from DHgate.com, printed Jun. 13, 2014, 6-pages, available online at <http://www.dhgate.com/product/colorful-electronic-flash-stick-glow-sticks/131232674.html> at least as early as Jun. 13, 2014.

Electric Glow Stick, available from Jilin Province Baiding Trade Co., Ltd., China, printed Jun. 13, 2014, 1-page, available online at <http://www.promotioncn.com/eshowpro.asp?id=789> at least as early as Jun. 13, 2014.

Glowstick Blu Flashlite, available from Amazon.com, printed Jun. 13, 2014, 6-pages, available online at http://www.amazon.com/gp/product/B001G28YZ4/ref=as_li_ss_tl?ie=UTF8&tag=diy0c-20&linkCode=as2&camp=1789&creative=390957&creativeASIN=B001G28YZ4 at least as early as Jun. 13, 2014.

Trident L.E.D. Light Stick, available from Scuba.com, Irvine California, printed Jun. 13, 2014, 6-pages, available online at http://www.scuba.com/US/scuba-gear-31/026252/Trident-L.E.D.-Light-Stick.html?gclid=CP_ejJ6b974CFc9lOgodiVQAXg at least as early as Jun. 13, 2014.

Krill Electronic Glow Sticks, available from Kriana Corporation, printed Jun. 13, 2014, 8-pages, available online at <http://www.dansdata.com/krillsticks.htm> at least as early as Jun. 13, 2014.

Eveready Flashlight with Lanyard, available from eLightBulbs, printed Jun. 13, 2014, 2-pages, available online at <http://www.elightbulbs.com/Energizer-Eveready-06004-GLO3BUBP-LED-Flashlight&source=FlashlightMuseum.com> at least as early as Jun. 13, 2014.

GloFX LED Glow Stick, available from GloFX 2014, Tallahassee Florida, printed Jun. 13, 2014, 6-pages, available online at <http://officialglofx.com/product/led-lightstick-flashing/> at least as early as Jun. 13, 2014.

Nahabedian et al., design U.S. Appl. No. 29/497,474, entitled Lighting Fixture, filed Jul. 24, 2014, 10-pages.

* cited by examiner

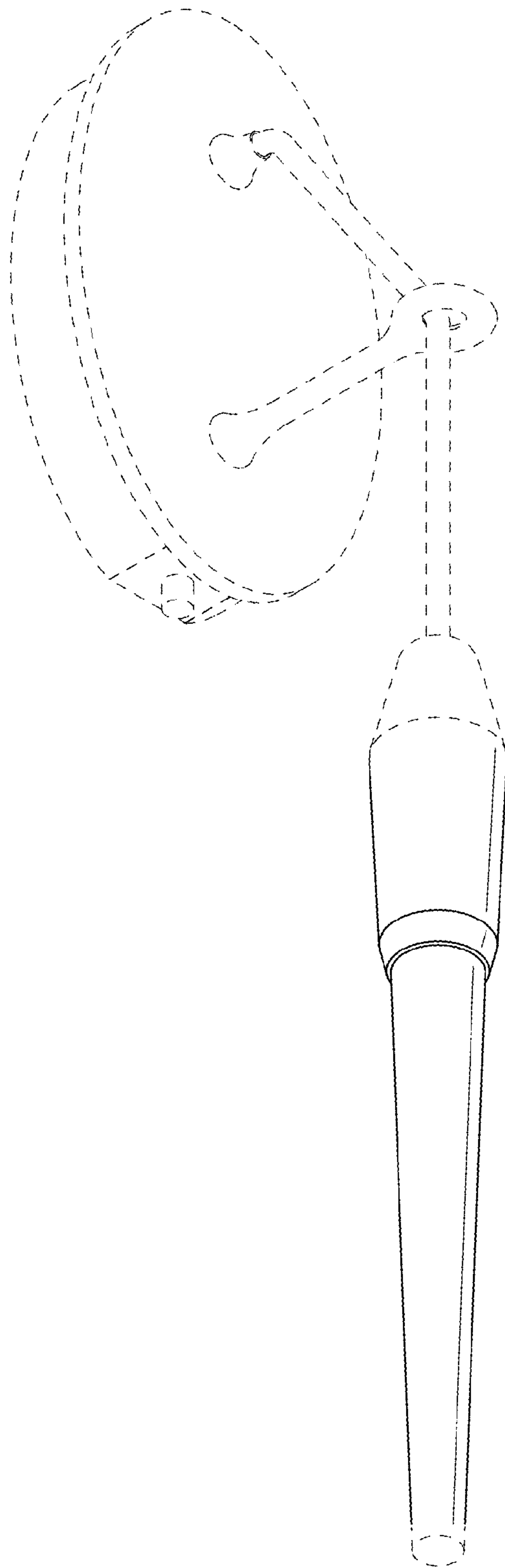


FIG. 1

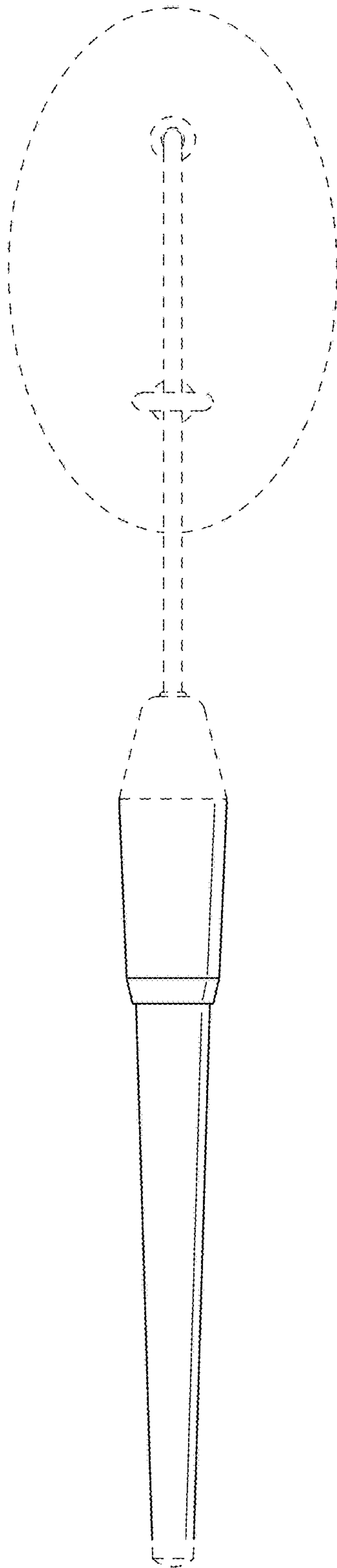


FIG. 2

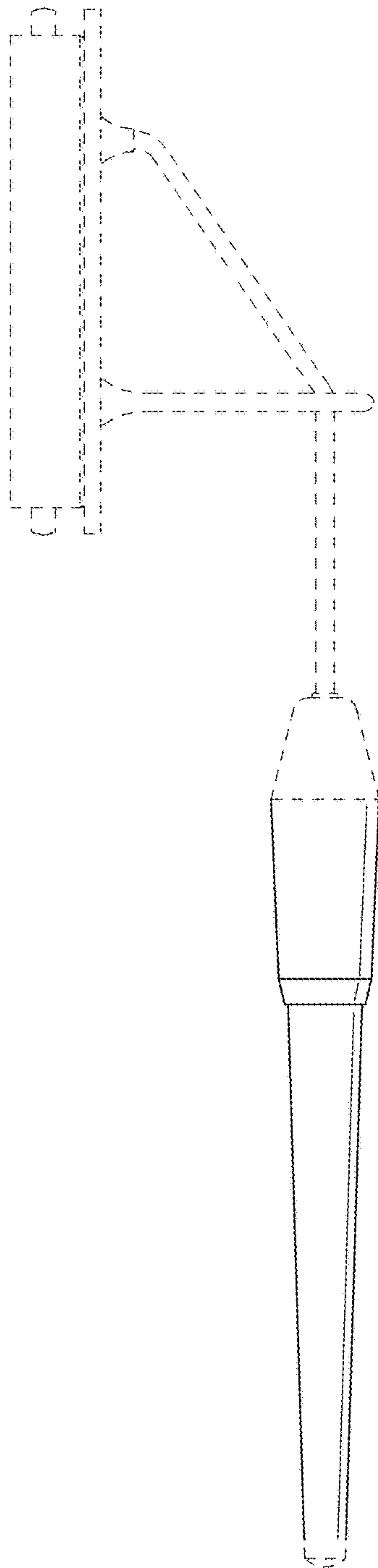


FIG. 3

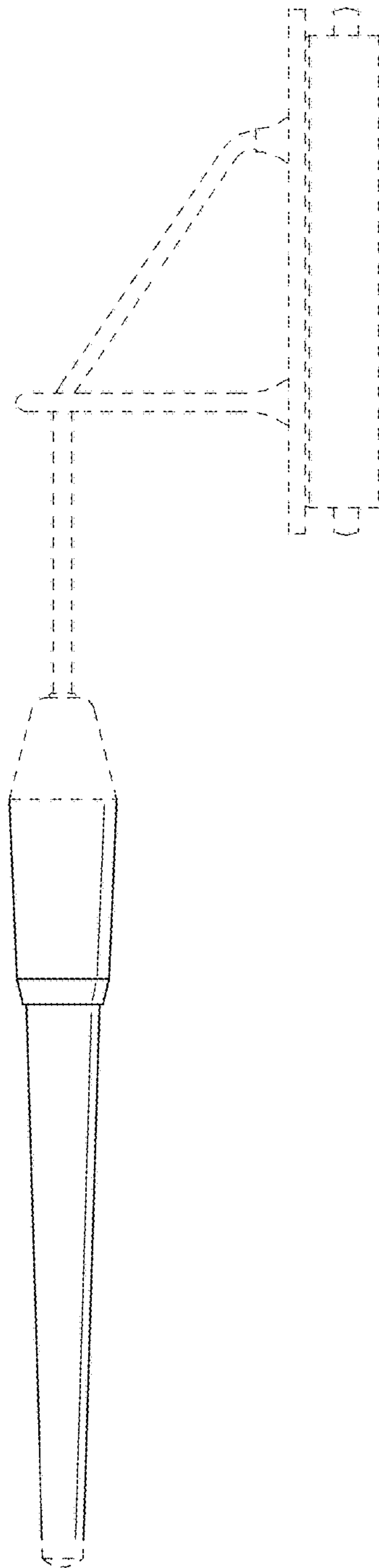


FIG. 4

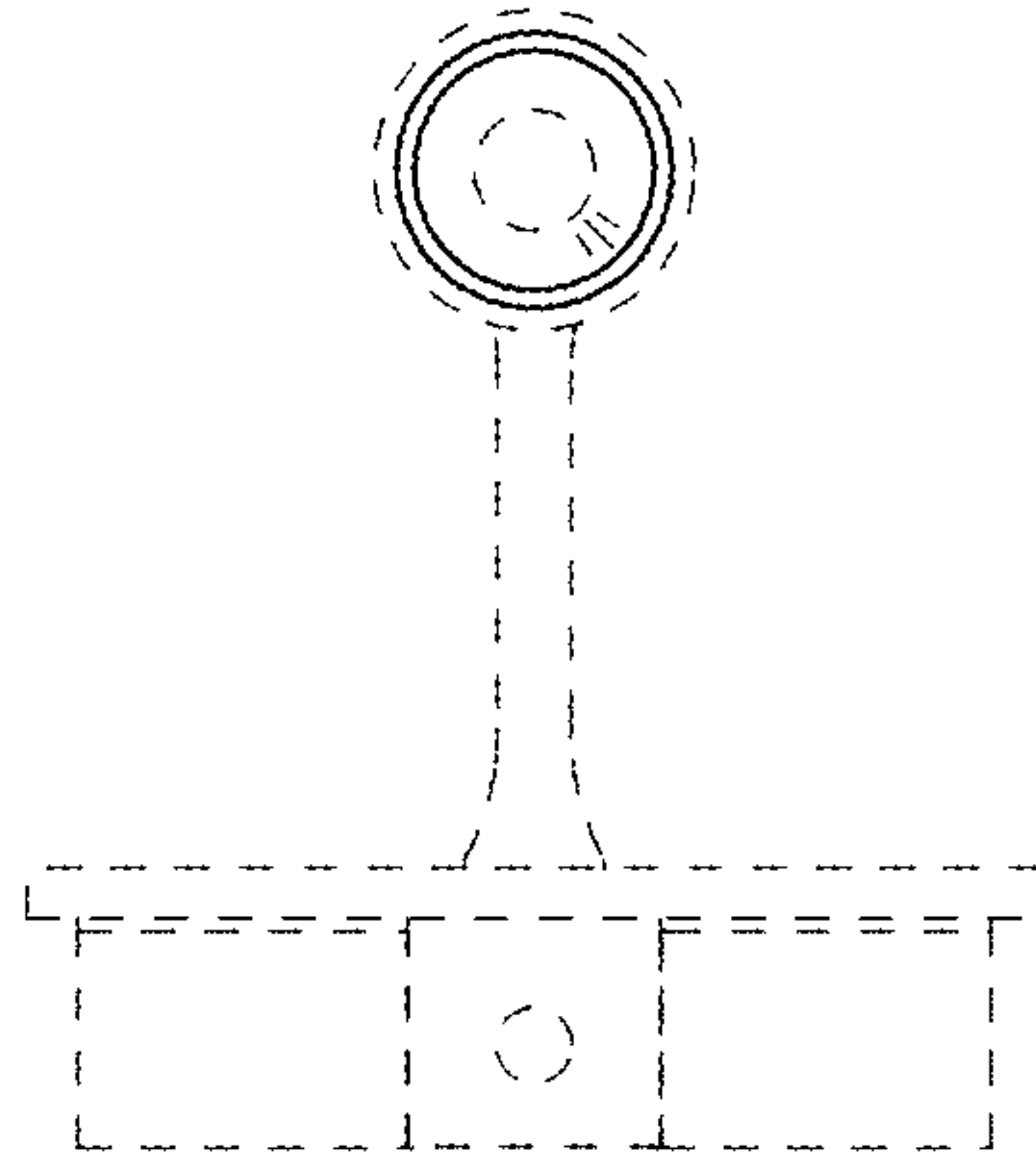


FIG. 5

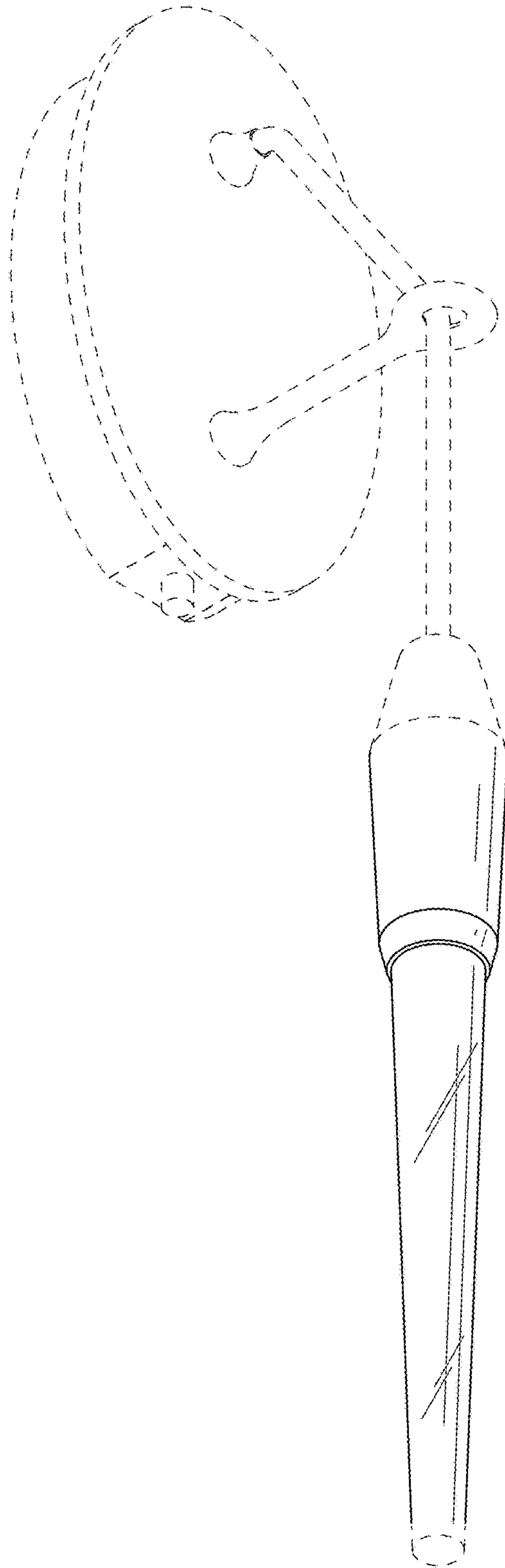


FIG. 6

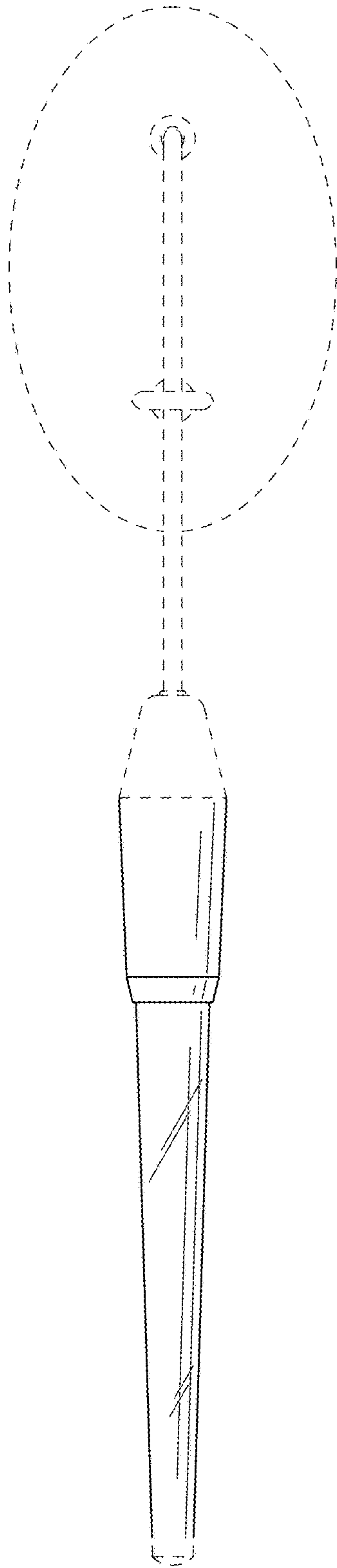


FIG. 7

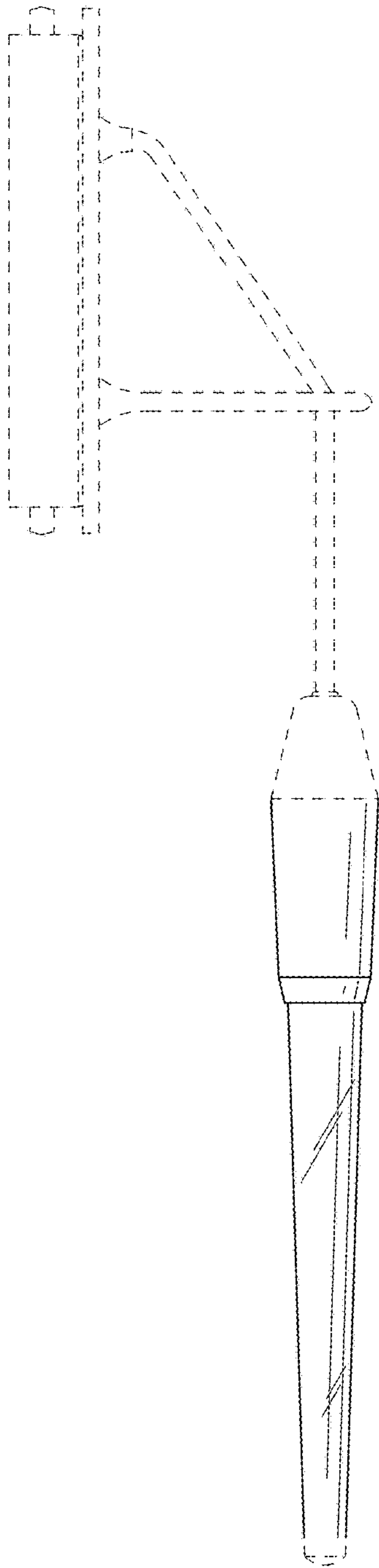


FIG. 8

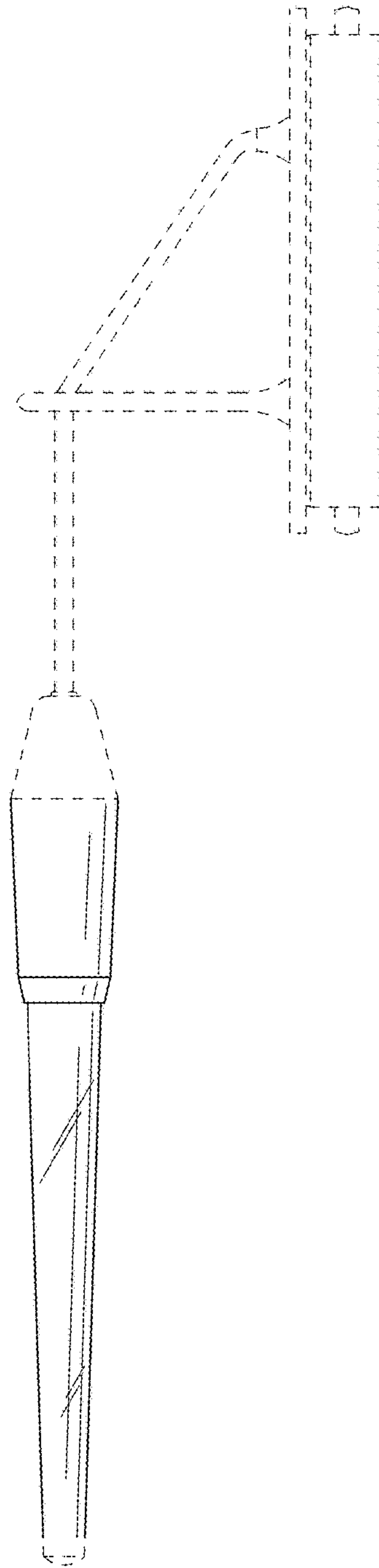


FIG. 9

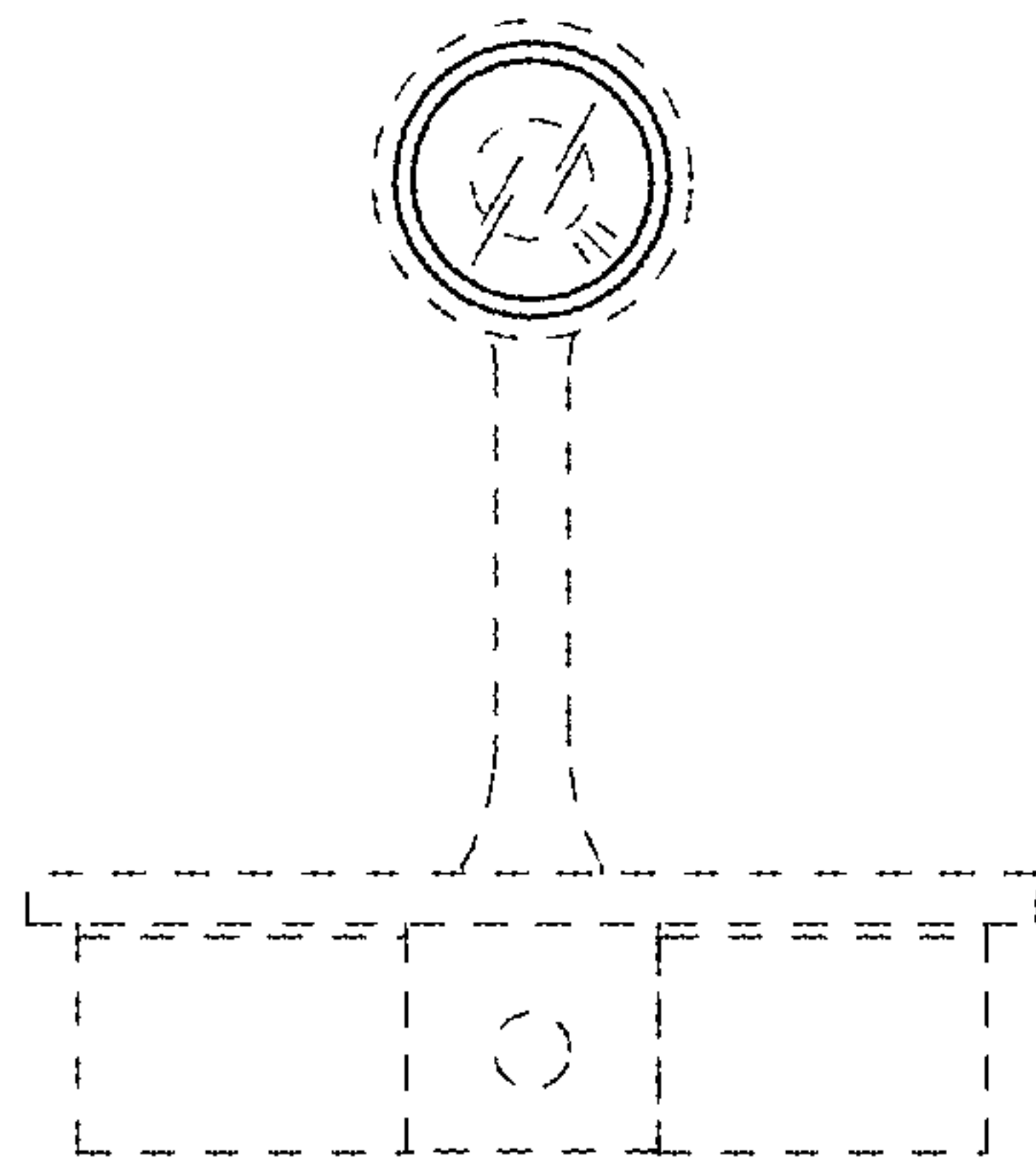


FIG. 10