



US00D804715S

(12) **United States Design Patent** (10) **Patent No.:** **US D804,715 S**  
**Lentine** (45) **Date of Patent:** **\*\* Dec. 5, 2017**

(54) **LANDSCAPE LIGHT**  
(71) Applicant: **Telebrands Corp.**, Fairfield, NJ (US)  
(72) Inventor: **Lou Lentine**, Chattanooga, TN (US)  
(73) Assignee: **Telebrands Corp.**, Fairfield, NJ (US)  
(\*\*) Term: **15 Years**

4,307,528 A 12/1981 Dewees  
4,458,124 A 7/1984 Kroth  
D278,215 S 4/1985 Patterson  
4,557,055 A 12/1985 Arai  
D282,104 S \* 1/1986 Taylor ..... D26/138  
4,779,176 A 10/1988 Bornhorst  
4,814,961 A 3/1989 O'Brien  
(Continued)

(21) Appl. No.: **29/562,913**  
(22) Filed: **Apr. 29, 2016**

**FOREIGN PATENT DOCUMENTS**

CN 201173996 12/2008  
CN 202691883 1/2013  
(Continued)

**Related U.S. Application Data**

(63) Continuation of application No. 29/507,757, filed on Oct. 30, 2014, now Pat. No. Des. 773,707.  
(51) **LOC (10) Cl.** ..... **26-03**  
(52) **U.S. Cl.**  
USPC ..... **D26/142**; D26/113  
(58) **Field of Classification Search**  
USPC ..... D26/24, 60-66, 72, 85, 92, 113, 118,  
D26/119, 138, 142; D23/217  
CPC ..... F21V 21/14; F21V 15/01; F21V 14/02;  
F21V 21/30; F21V 14/00; F21V 17/02;  
F21V 21/116; F21Y 2105/001; F21S  
8/00; F21S 8/081  
See application file for complete search history.

**OTHER PUBLICATIONS**

Laser Light, available at www.amazon.com, accessed on Nov. 13, 2015.  
(Continued)

*Primary Examiner* — Brian N Vinson  
(74) *Attorney, Agent, or Firm* — Cooper & Dunham, LLP

(57) **CLAIM**

The ornamental design for a landscape light, as shown and described.

**DESCRIPTION**

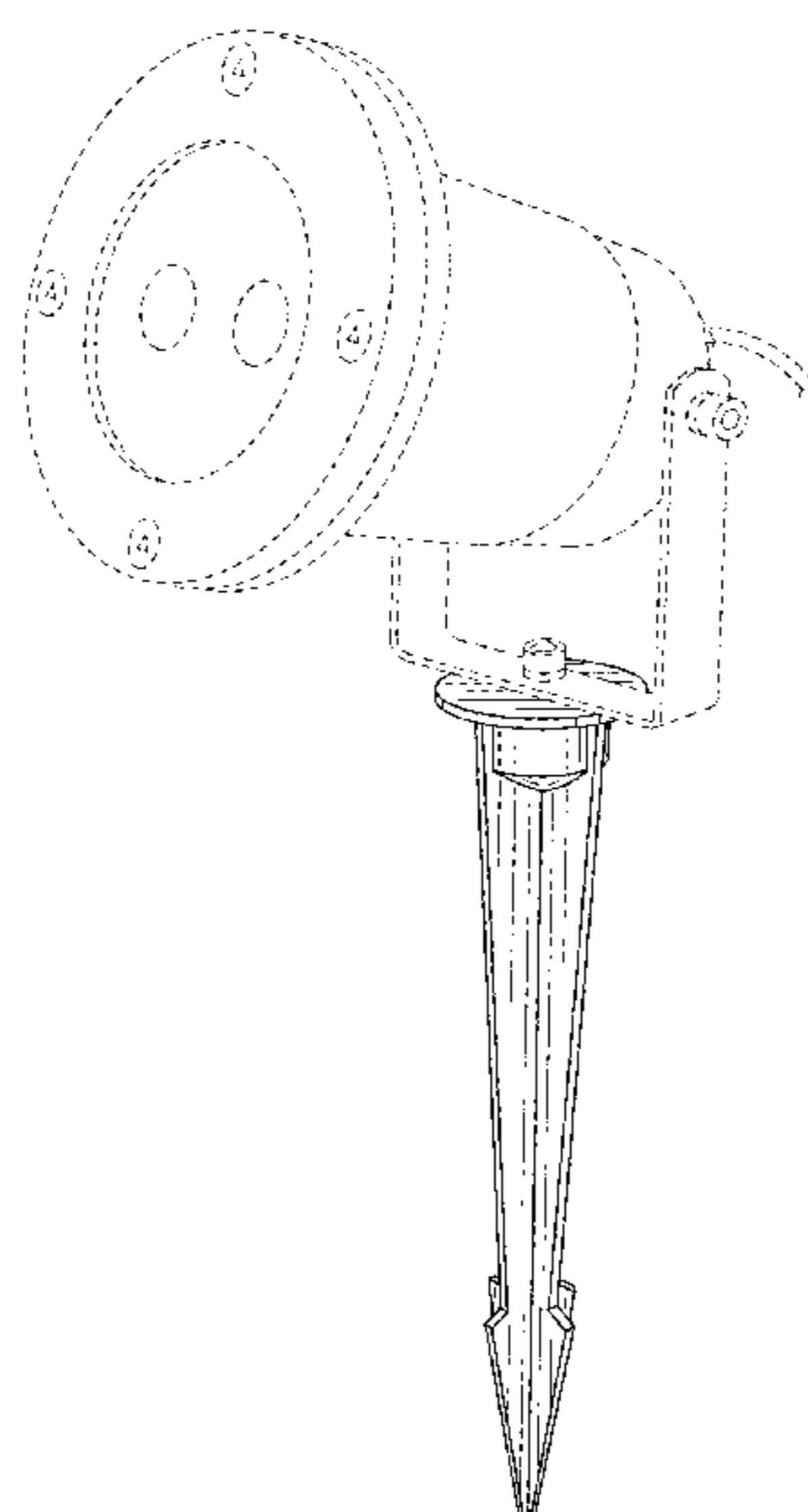
FIG. 1 is a front perspective view of a light projector in accordance with the present design;  
FIG. 2 is a front elevation view thereof;  
FIG. 3 is a rear view thereof;  
FIG. 4 is a left side view thereof;  
FIG. 5 is a right side view thereof;  
FIG. 6 is a top view thereof; and,  
FIG. 7 is a bottom view thereof.  
The broken lines are for illustrative purposes only and form no part of the claimed design. The shading represents contour of the claimed design.

(56) **References Cited**

**U.S. PATENT DOCUMENTS**

D173,139 S 10/1954 Black  
3,104,064 A 9/1963 Bellek  
D231,559 S 4/1974 Darling  
3,822,930 A 7/1974 Douklias  
D233,778 S 11/1974 Kennedy  
D233,779 S 11/1974 Kennedy  
D234,710 S 4/1975 Beeren  
3,944,761 A 3/1976 Nicholl  
4,114,112 A 9/1978 Epstein  
D254,154 S 2/1980 Young

**1 Claim, 5 Drawing Sheets**



(56)

References Cited

U.S. PATENT DOCUMENTS

5,036,447 A 7/1991 Taylor  
 D323,406 S 1/1992 Fisher  
 5,086,379 A 2/1992 Denison  
 5,090,789 A 2/1992 Crabtree  
 D328,147 S 7/1992 Gecchelin  
 5,178,454 A \* 1/1993 Lai ..... F21V 21/116  
 362/153  
 D333,526 S 2/1993 Taylor  
 D333,529 S 2/1993 Denison  
 D339,508 S \* 9/1993 Zeman ..... D23/217  
 D340,305 S 10/1993 Hall  
 D341,755 S \* 11/1993 Zeman ..... D23/217  
 5,280,417 A \* 1/1994 Hall ..... F21S 8/081  
 362/153  
 5,367,349 A 11/1994 Zeiler  
 5,398,180 A 3/1995 Lee  
 5,459,539 A 10/1995 Yamamoto  
 D365,169 S \* 12/1995 Fillipp ..... D26/138  
 D370,070 S 5/1996 Kay  
 5,613,799 A 3/1997 Guide  
 5,626,418 A 5/1997 Angelis  
 5,649,760 A \* 7/1997 Beadle ..... F21V 17/02  
 362/267  
 D383,236 S 9/1997 Krogman  
 D389,935 S 1/1998 Pink  
 5,882,107 A 3/1999 Bornhorst  
 D413,996 S \* 9/1999 Andrus ..... D26/63  
 D414,579 S 9/1999 Denison  
 5,971,545 A 10/1999 Haitz  
 6,000,813 A 12/1999 Krietzman  
 6,145,228 A 11/2000 LaChance  
 6,152,577 A 11/2000 Rizkin  
 D437,071 S 1/2001 Andrus  
 D437,652 S 2/2001 Uhler  
 6,190,025 B1 2/2001 Solinsky  
 D438,999 S 3/2001 Bossy  
 6,304,237 B1 10/2001 Karakawa  
 6,474,837 B1 11/2002 Belliveau  
 D482,476 S 11/2003 Kwong  
 6,655,817 B2 12/2003 Devlin  
 6,722,771 B1 4/2004 Stephens  
 6,802,630 B2 10/2004 Doppelt  
 6,874,893 B2 4/2005 Park  
 D506,282 S 6/2005 Benghozi  
 D506,283 S 6/2005 Benghozi  
 7,040,780 B2 5/2006 Diehl  
 7,137,721 B1 11/2006 Rao  
 D541,966 S 5/2007 Benghozi  
 D542,959 S \* 5/2007 Yao ..... D26/63  
 7,257,551 B2 8/2007 Oskorep  
 D550,877 S 9/2007 Mullen  
 D551,789 S \* 9/2007 Mullen ..... D26/63  
 7,369,584 B2 5/2008 Goldman  
 D574,532 S 8/2008 Lee  
 D577,453 S 9/2008 Metlen  
 D589,191 S 3/2009 Sabernig  
 D604,880 S 11/2009 Lovegrove  
 D604,882 S 11/2009 Mier-Langner  
 RE41,050 E 12/2009 Panasewicz  
 D605,325 S 12/2009 Sanoner  
 7,641,345 B2 1/2010 Johnson  
 D615,688 S \* 5/2010 Chen ..... D26/63  
 D616,586 S 5/2010 Sabernig  
 D619,289 S 7/2010 You  
 D619,290 S 7/2010 You  
 D625,871 S 10/2010 Huang  
 D628,329 S 11/2010 Tuli  
 7,832,918 B2 11/2010 Chien  
 D632,414 S 2/2011 Croce  
 D638,159 S \* 5/2011 Yao ..... D26/63  
 8,003,886 B1 8/2011 Rintz  
 D647,234 S \* 10/2011 Izardel ..... D26/65  
 D649,671 S 11/2011 Ferro  
 8,057,045 B2 11/2011 Johnson  
 D651,335 S 12/2011 Chen

8,100,537 B2 1/2012 Johnson  
 8,100,538 B2 1/2012 Kuroda  
 D654,606 S \* 2/2012 Chen ..... D26/63  
 D659,871 S 5/2012 Lee  
 D667,981 S 9/2012 Connolly  
 8,297,825 B2 10/2012 Onishi  
 8,303,129 B1 11/2012 Thielen  
 8,366,292 B2 2/2013 McDermott  
 8,376,574 B2 2/2013 Spartano  
 8,436,553 B2 5/2013 Zampini  
 8,480,233 B2 7/2013 Smith  
 8,485,686 B2 7/2013 Swan  
 8,693,513 B2 4/2014 Achtenhagen  
 8,721,160 B2 5/2014 Chien  
 8,901,827 B1 12/2014 Xu  
 D723,726 S 3/2015 Reed  
 D738,023 S 9/2015 Rosello Gratacos  
 D764,694 S \* 8/2016 Tsai ..... D26/63  
 D773,707 S \* 12/2016 Lentine ..... D26/63  
 D777,965 S \* 1/2017 Mirchandani ..... D26/63  
 D779,098 S 2/2017 Tsai  
 2002/0101571 A1 8/2002 Panasewicz  
 2003/0189825 A1 10/2003 Tauch  
 2004/0042070 A1 3/2004 Yagi  
 2004/0119951 A1 6/2004 Vitantonio  
 2004/0141316 A1 7/2004 Twardawski  
 2005/0024863 A1 2/2005 Phipps  
 2005/0243560 A1 11/2005 Chen  
 2006/0158138 A1 7/2006 Walter  
 2006/0198153 A1 9/2006 Chien  
 2007/0064290 A1 3/2007 Hochenbleicher  
 2008/0224849 A1 9/2008 Sirhan  
 2008/0316732 A1 12/2008 Blake  
 2009/0027900 A1 1/2009 Janos  
 2009/0033814 A1 2/2009 Khan  
 2009/0067191 A1 3/2009 Faber  
 2009/0122564 A1 5/2009 Beadle  
 2009/0168026 A1 7/2009 Chen  
 2009/0268121 A1 10/2009 Hisada  
 2010/0046211 A1 2/2010 Spartano  
 2010/0053969 A1 3/2010 Weinheimer  
 2012/0176782 A1 7/2012 Vanderschuit  
 2013/0088723 A1 4/2013 Feldkhun  
 2013/0257297 A1 10/2013 Schmidt  
 2014/0036487 A1 2/2014 Adams  
 2014/0268703 A1 9/2014 Ehlert  
 2014/0328060 A1 11/2014 Gadegaard  
 2015/0035437 A1 2/2015 Panopoulos  
 2015/0159842 A1 6/2015 Zhang  
 2015/0308655 A1 10/2015 Holmes  
 2016/0313089 A1 10/2016 Collin  
 2016/0369996 A1 12/2016 Qin  
 2017/0045212 A1 2/2017 Ghasabi  
 2017/0080991 A1 3/2017 White

FOREIGN PATENT DOCUMENTS

CN 203273720 11/2013  
 CN 203431698 2/2014  
 CN 204141534 2/2015  
 CN 204176560 2/2015  
 CN 303234579 6/2015  
 CN 104812342 7/2015  
 CN 204621354 9/2015  
 CN 204629169 U 9/2015  
 CN 105068243 11/2015  
 CN 205155727 4/2016  
 CN 303657559 4/2016  
 EP 1 024 399 2/2000  
 GB 2435090 8/2007  
 WO WO 2006/074205 7/2006  
 WO WO 2010022367 2/2010  
 WO WO 2015/094009 6/2015  
 WO WO 2015/138480 9/2015

(56)

**References Cited**

## FOREIGN PATENT DOCUMENTS

WO	WO 2015/143450	9/2015
WO	WO 2015/149877	10/2015

## OTHER PUBLICATIONS

Night Stars, available at [www.amazon.com](http://www.amazon.com), accessed Nov. 13, 2015.

Poeland Garden Laser Landscape, available at [www.amazon.com](http://www.amazon.com), accessed Nov. 13, 2015.

Remote Controllable RGB Laser, available at [www.amazon.com](http://www.amazon.com), accessed Nov. 13, 2015.

Newest Garden Tree and Outdoor Wall Decoration Laser, available at [www.amazon.com](http://www.amazon.com), accessed Nov. 13, 2015.

Pepnice Red and Green Firefly Laser Light, available at [www.amazon.com](http://www.amazon.com), accessed Nov. 13, 2015.

KLAREN Color Laser Light Projector, available at [www.amazon.com](http://www.amazon.com), accessed Nov. 13, 2015.

Garden Tree and Outdoor Wall Decoration Laser Lights for Holiday Lighting, available at [www.amazon.com](http://www.amazon.com), accessed Nov. 13, 2015.

Green and Red Light Garden Tree and Outdoor Wall Decoration Laser Lights, available at [www.amazon.com](http://www.amazon.com), accessed Nov. 13, 2015.

Moving RED and Green 2 Color Laser Landscape Projector Light w/ Remote, available at [www.amazon.com](http://www.amazon.com), accessed Nov. 13, 2015.

SeresRoad Outdoor Waterproof Star Projector, Landscape Projector, available at [www.amazon.com](http://www.amazon.com), accessed on Nov. 13, 2015.

Us-vision AGO-20RG Modern Outdoor/ Indoor 20 Patterns Gobos Rg Laser Projector, available at [www.amazon.com](http://www.amazon.com), accessed Nov. 13, 2015.

Sminiker Outdoor Laser Light Sparkle Magic Lights Landscape Light Holiday Light, available at [www.amazon.com](http://www.amazon.com), accessed Nov. 13, 2015.

Us-vision Outdoor Holiday Waterproof Green Laser Lighting Show, available at [www.amazon.com](http://www.amazon.com), accessed Nov. 13, 2015.

Improvements All-metal 4-in-1 Projection Light with Remote, available at [www.amazon.com](http://www.amazon.com), accessed Nov. 13, 2015.

KLAREN Color Laser Light Projector—Improvements, available at [www.amazon.com](http://www.amazon.com), accessed Nov. 13, 2015.

Light Flurries, available at [www.lightflurries.com](http://www.lightflurries.com), accessed Mar. 17, 2016.

Outdoor Indoor Spright Smart Firefly Light with Timer Green, available at [www.amazon.com](http://www.amazon.com), accessed May 2, 2016.

Blisslights Spright Spring Smart Outdoor Indoor Firefly Light Projector with Timer, available at [www.amazon.com](http://www.amazon.com), accessed May 2, 2016.

Mr. Christmas Super Green Laser Light Show, available at [www.amazon.com](http://www.amazon.com), accessed May 2, 2016.

BlissLights Motion Laser, available at [www.amazon.com](http://www.amazon.com), accessed May 2, 2016.

Color Laser Lights Instructions, published 2014.

BlissLights Spright Smart User Guide, published 2014.

International Search Report PCT/US2016/021347, published May 17, 2016.

Written Opinion of International Search Authority PCT/US2016/021347, published May 17, 2016.

International Search Report PCT/US2016/021338, published May 16, 2016.

Written Opinion of International Search Authority PCT/US2016/021338, published May 16, 2016.

Written Opinion of International Search Authority PCT/US2016/021354, published Jun. 30, 2016.

International Search Report PCT/US2016/021354, published Jun. 30, 2016.

Examination Report of Application No. 2016101293 by IP Australia, issued Oct. 20, 2016.

Laser Christmas Lights & Outdoor Laser Lights, published Oct. 6, 2015, available at <http://web.archive.org/web/20151006140058/http://www.laserchristmaslights.com>.

Examination Report of Application No. 2016101295 by IP Australia, issued Oct. 20, 2016.

Examination Report of Application No. 2016101293 by IP Australia, issued Feb. 17, 2017.

Extended European Search Report of Application No. 16197894.5-1568 by European Patent Office, issued Feb. 17, 2017.

Office Action of Application No. 2,937,150 by Canadian Intellectual Property Office, issued Jan. 26, 2017.

Extended European Search Report of Application No. 16197893 by European Patent Office, issued Feb. 24, 2017.

Extended European Search Report of Application No. 16197896 by European Patent Office, issued Mar. 13, 2017.

Peatross, Physics of Light and Optics, Mar. 22, 2017, pp. 288-295, 303.

Office Action of Application No. 2,965,063 by Canadian Intellectual Property Office, dated Jun. 16, 2017.

Laser Projector Yard Stake Sell Sheet by YFC-BonEagle, Copyright 2011.

Consumer Electronics Show Flyer by Prime, Jan. 2014.

Laser Light Prime, <https://www.youtube.com/watch?v=ygPEISRdaRo>, accessed May 25, 2017, published Nov. 29, 2014.

Everstar Merchandising Product No. 68-005 (US) / 88-653 (CAN). Everstar Merchandising Product No. 88-506.

Declaration of Stephen D. Fantone dated Jul. 3, 2017, submitted in support of response to Order to Show Cause (Civil Action No. 2:17-cv-02878).

Request for Ex Parte Reexamination of U.S. Pat. No. 9,546,775, submitted Jul. 13, 2017.

Extended European Search Report of Application No. 16197895 by European Patent Office, dated Apr. 28, 2017.

Office Action of Application No. 2,937,150 by Canadian Intellectual Property Office, dated Jun. 30, 2017.

Examination Report of Application No. 2017100480 by IP Australia, dated Jun. 8, 2017.

Evaluation Report of Utility Model U.S. Pat. No. 2016208941741, issued by the State Intellectual Property Office of the People's Republic of China, dated Aug. 3, 2017.

Order Granting Ex Parte Reexamination of U.S. Pat. No. 9,546,775, dated Aug. 1, 2017.

\* cited by examiner

FIG. 1

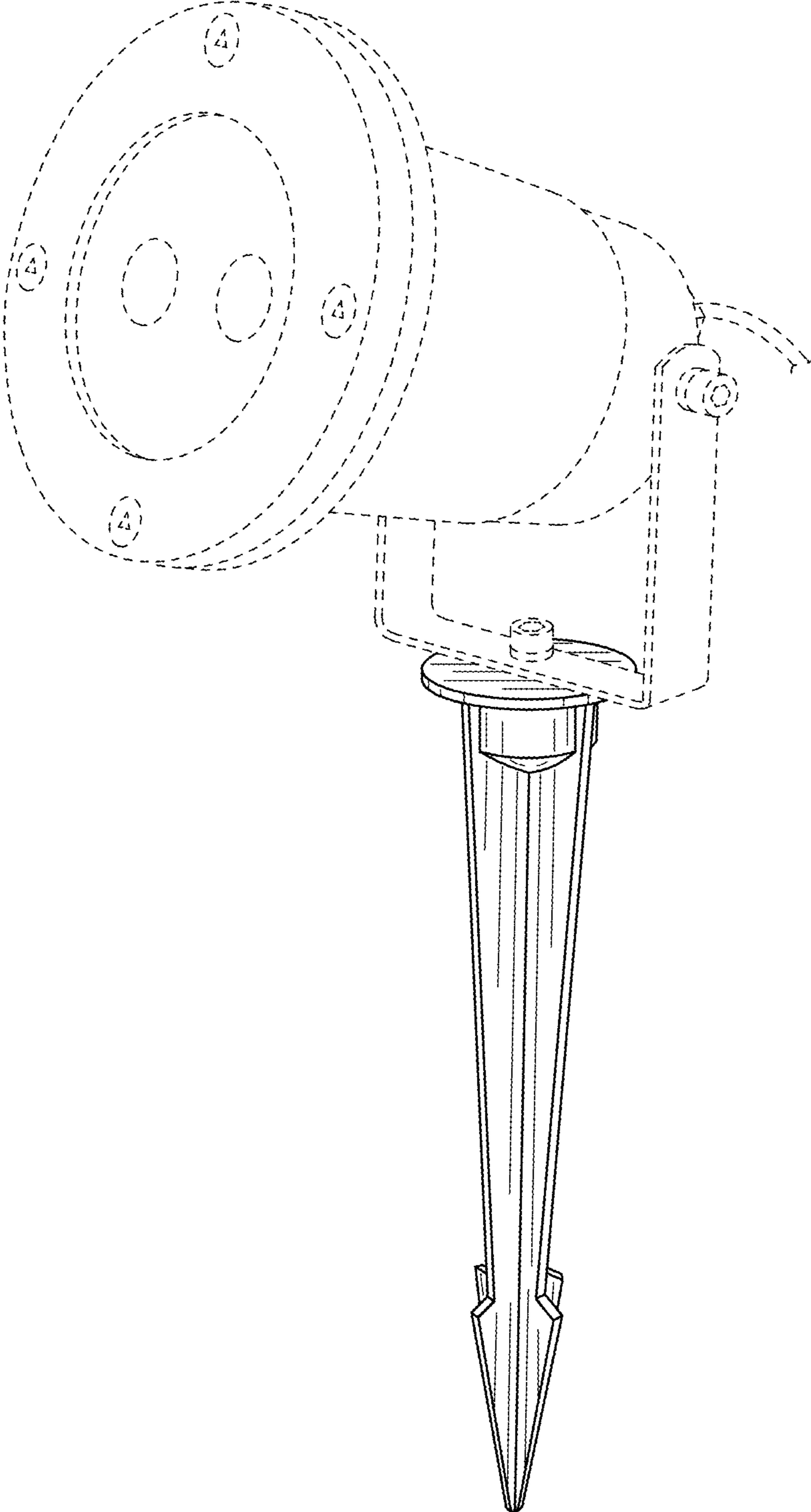


FIG. 2

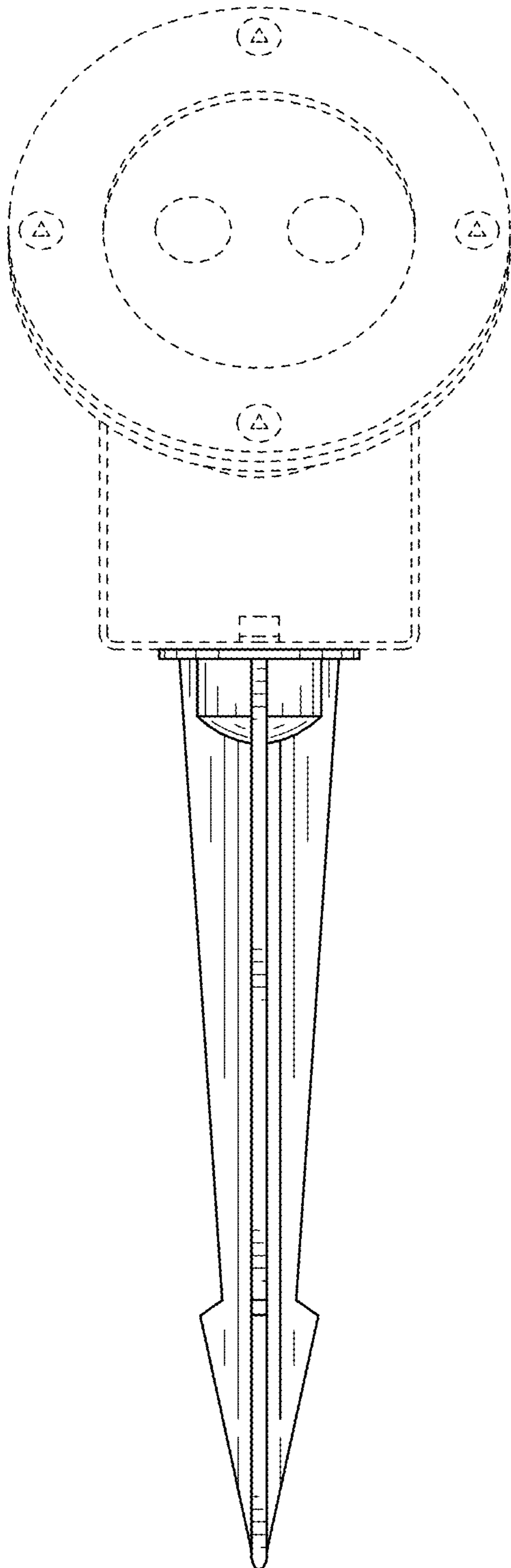


FIG. 3

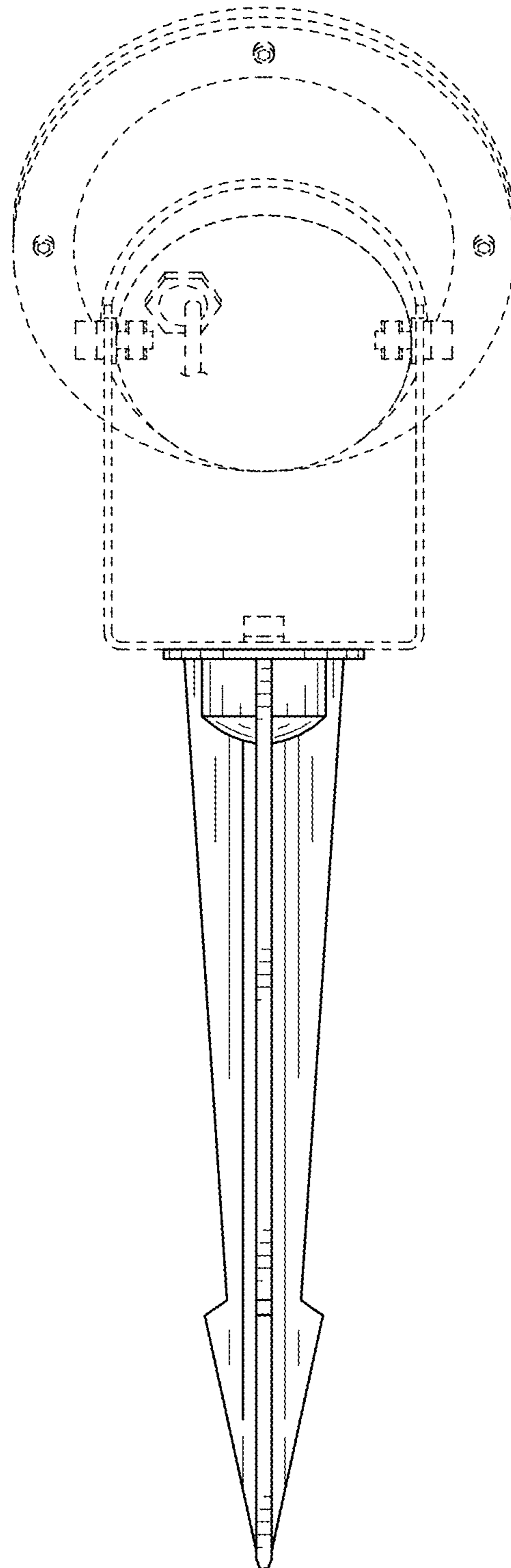


FIG. 4

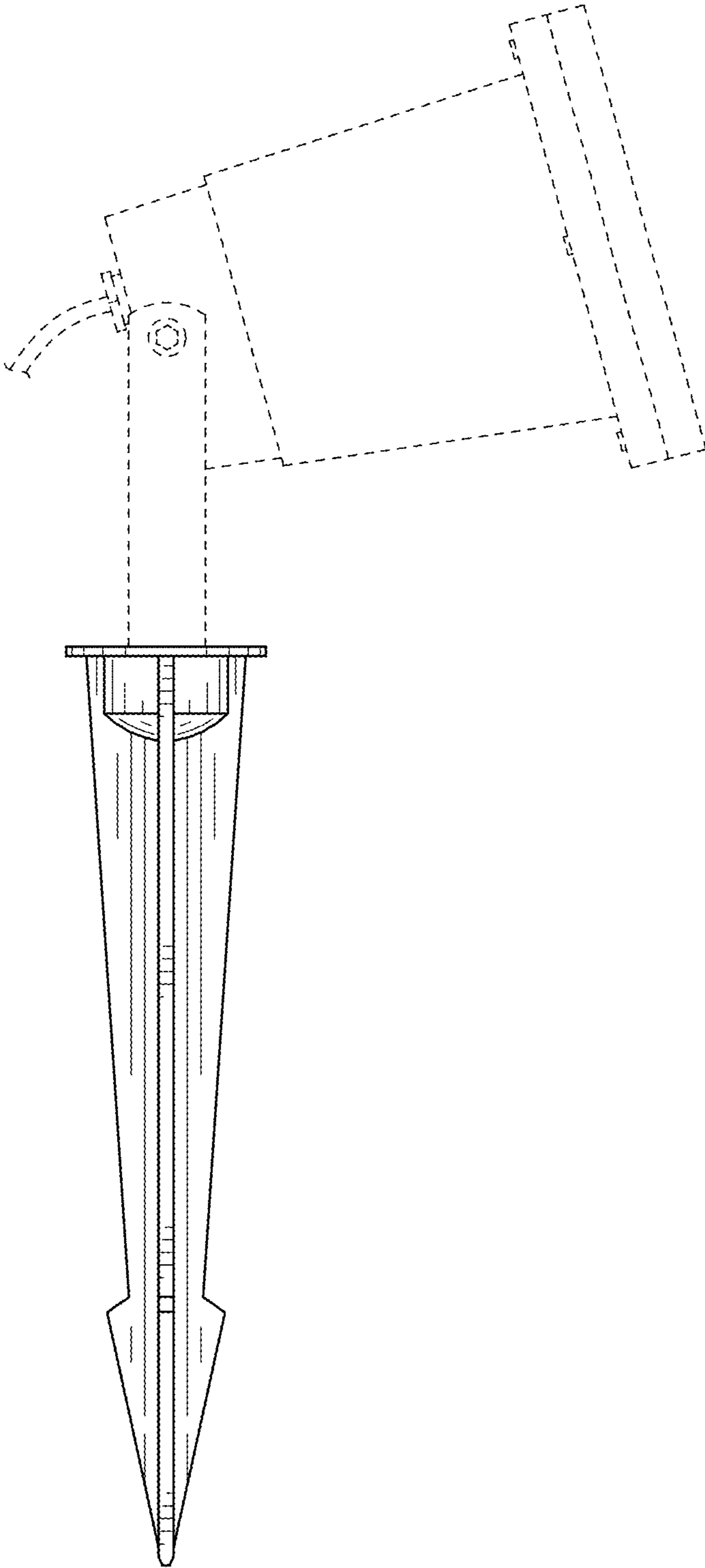


FIG. 5

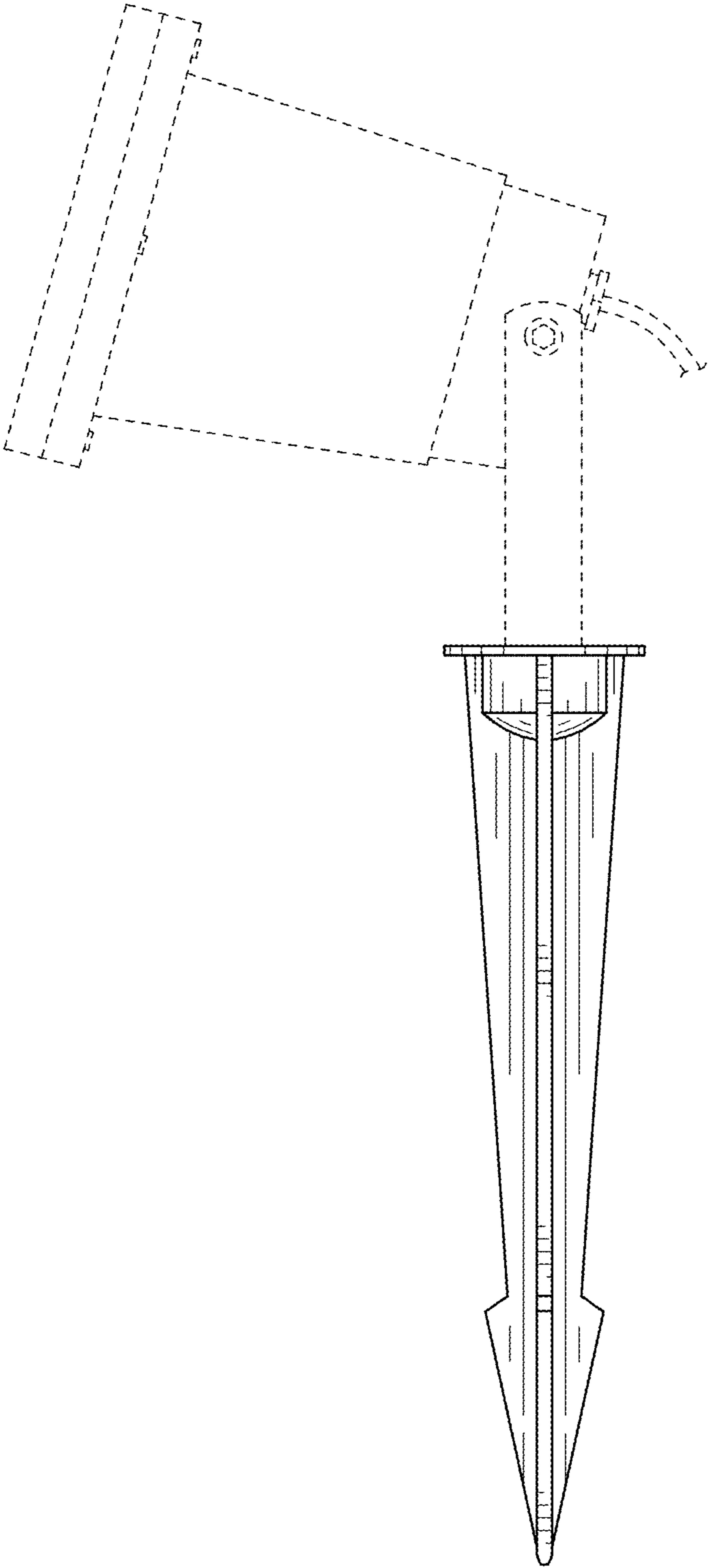


FIG. 6

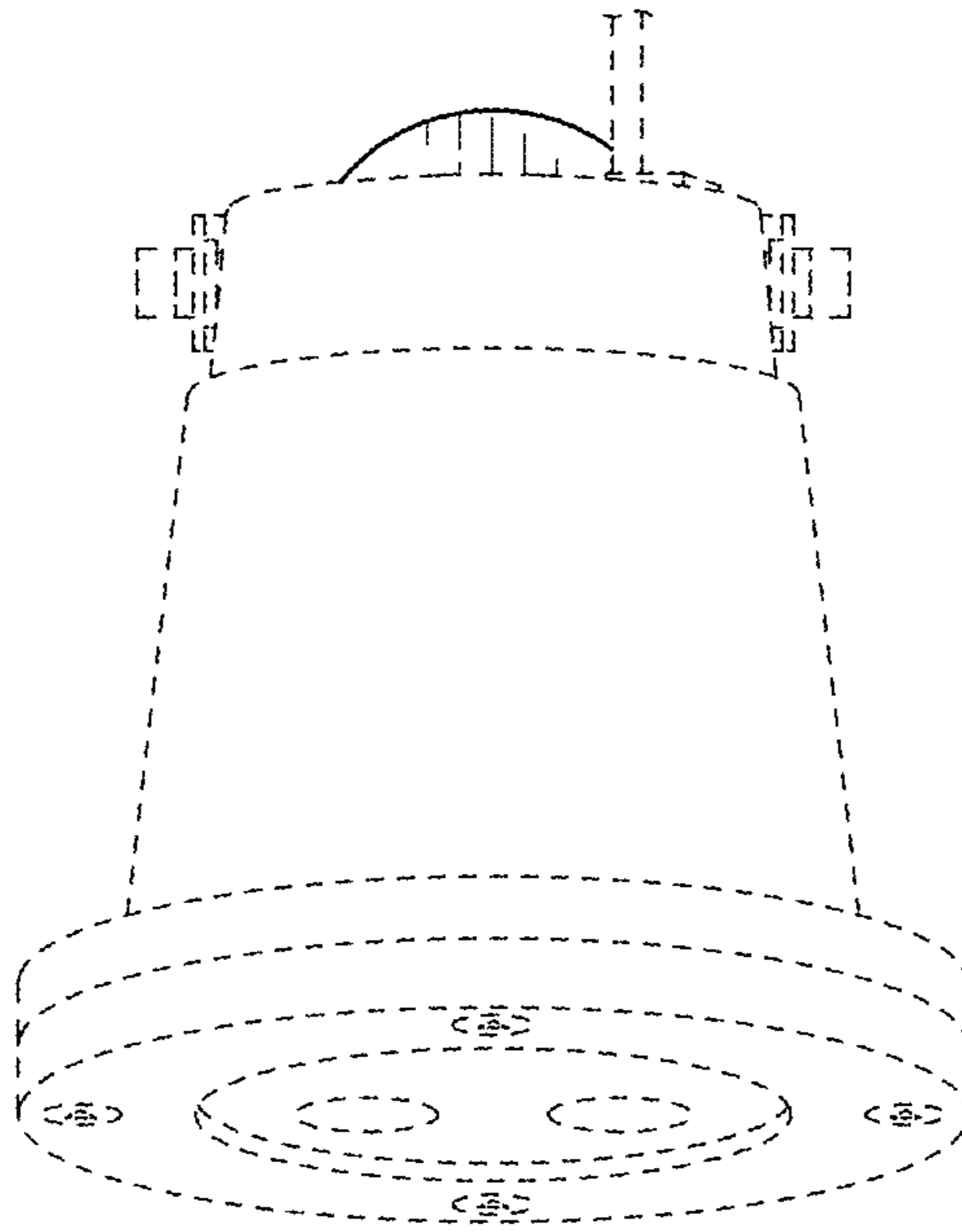


FIG. 7

