



US00D804710S

(12) **United States Design Patent**
Stanley

(10) **Patent No.:** **US D804,710 S**

(45) **Date of Patent:** **** Dec. 5, 2017**

(54) **HORTICULTURE GROW LIGHT**

(71) Applicant: **IP Holdings, LLC**, Vancouver, WA (US)

(72) Inventor: **John Stanley**, Vancouver, WA (US)

(73) Assignee: **IP Holdings, LLC**, Vancouver, WA (US)

(**) Term: **15 Years**

(21) Appl. No.: **29/600,307**

(22) Filed: **Apr. 11, 2017**

Related U.S. Application Data

(63) Continuation of application No. 29/578,401, filed on Sep. 21, 2016, now Pat. No. Des. 786,489, which is (Continued)

(51) **LOC (10) Cl.** **29-99**

(52) **U.S. Cl.**
USPC **D26/118**

(58) **Field of Classification Search**

USPC ... D26/9, 10, 12, 13, 15, 16, 24, 51, 61, 72, D26/76, 80, 81, 85, 86, 88, 90, 113, 118, D26/119, 120, 122, 128, 129, 138, 143, D26/144

CPC B60Q 1/04; B60Q 1/26; F21S 8/026; F21S 8/04; F21V 29/004; F21V 21/02; F21V 21/04; F21V 29/2212; F21V 7/22; F21V

(Continued)

(56) **References Cited**

U.S. PATENT DOCUMENTS

D32,722 S 7/1861 Schmidlin

D46,253 S 8/1914 Kopp

(Continued)

FOREIGN PATENT DOCUMENTS

CA 2034710 8/1991

CA 1314529 3/1993

(Continued)

OTHER PUBLICATIONS

AplusChoice-Hydroponics, image post date Dec. 2, 2014, site visited Jul. 13, 2017, (online), <https://www.tineye.com/search/6589596c8738268de70acceca20d64855d0f1d2/?sort=crawl_date&order=asc>.

(Continued)

Primary Examiner — Brian N Vinson

(74) *Attorney, Agent, or Firm* — J. Douglas Wells

(57) **CLAIM**

The ornamental design for a horticulture grow light, as shown and described.

DESCRIPTION

FIG. 1 is a perspective view of a horticulture grow light, as viewed from below, showing my new design;

FIG. 2 is a perspective view of the horticulture grow light shown in FIG. 1, as viewed from above;

FIG. 3 is a left side view of the horticulture grow light shown in FIG. 1;

FIG. 4 is a right side view of the horticulture grow light shown in FIG. 1;

FIG. 5 is a front elevation view of the horticulture grow light shown in FIG. 1;

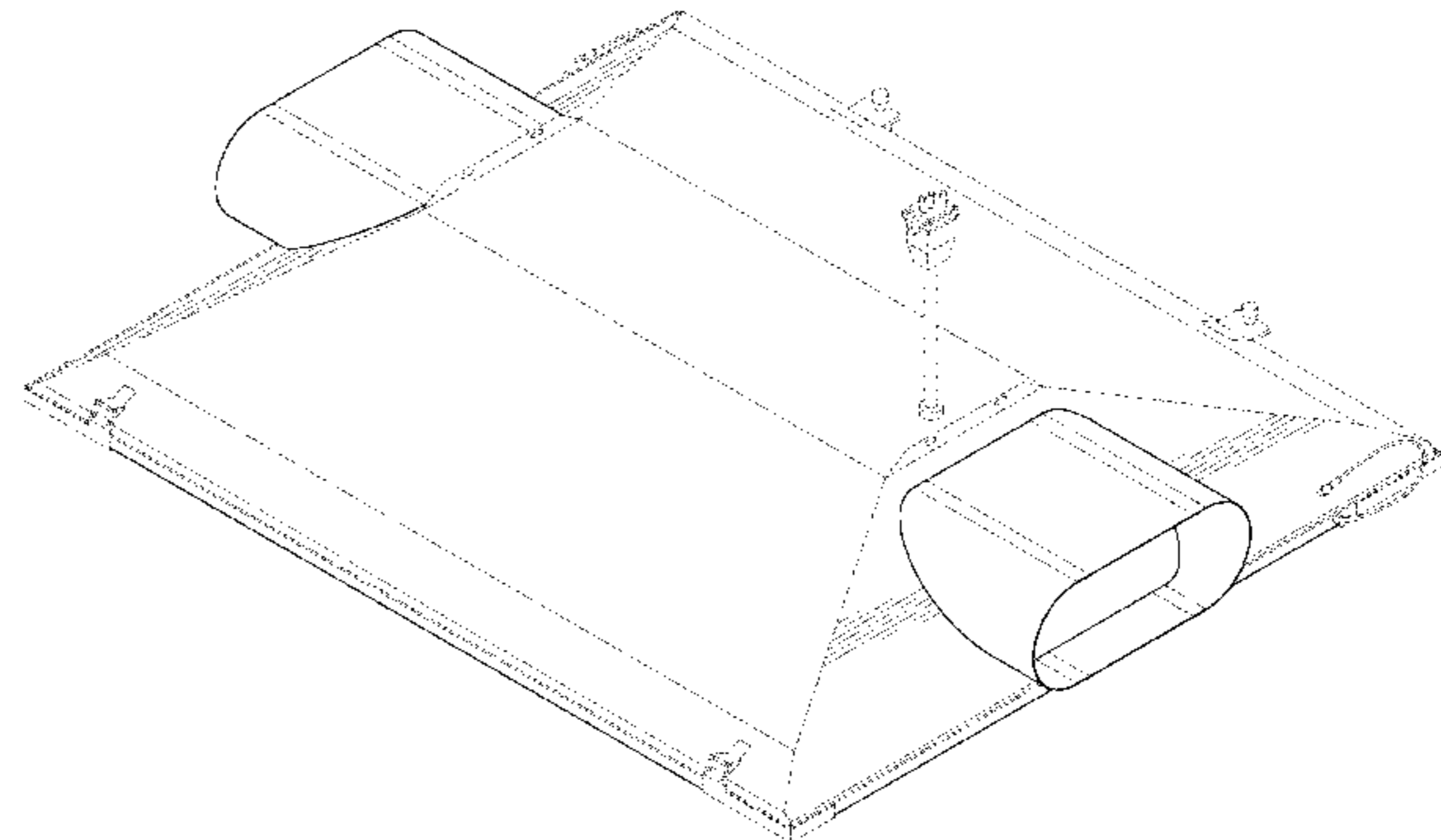
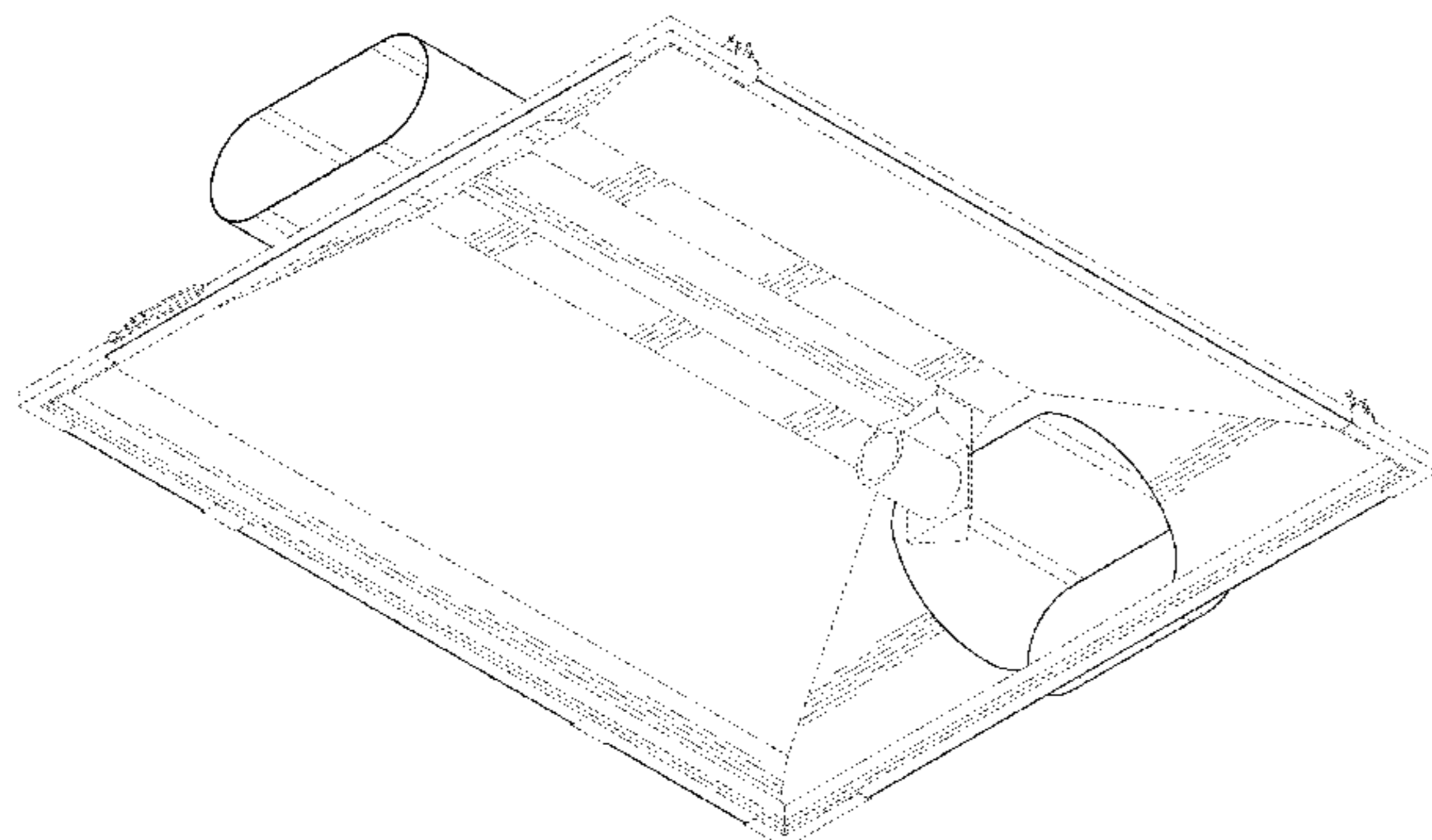
FIG. 6 is a rear elevation view of the horticulture grow light shown in FIG. 1;

FIG. 7 is a top plan view of the horticulture grow light shown in FIG. 1; and,

FIG. 8 is a bottom plan view of the horticulture grow light shown in FIG. 1.

The broken-line disclosure shown in the views is understood to represent portions of the article in which the claimed design is embodied, but which form no part of the claimed design.

1 Claim, 6 Drawing Sheets



Related U.S. Application Data

a continuation of application No. 29/523,707, filed on Apr. 13, 2015, now Pat. No. Des. 773,107.

(58) **Field of Classification Search**

CPC 29/83; F21V 37/002; F21V 7/00; F21L 19/00; F23D 11/443; F21Y 2101/02; A61L 9/037

See application file for complete search history.

(56) **References Cited**

U.S. PATENT DOCUMENTS

1,410,945 A 3/1922 Mayfield
 1,547,026 A 7/1925 Canney
 D85,049 S 9/1931 Kopp
 D85,382 S 10/1931 Guth
 1,848,734 A 3/1932 Luce
 1,873,310 A 8/1932 Doane
 1,930,070 A 10/1933 Zecher
 1,987,705 A 1/1935 Pedersen
 D106,614 S 10/1937 Waterbury
 2,194,841 A 3/1940 Welch
 D119,800 S 4/1940 Carter
 D123,768 S 12/1940 Scribner
 D128,049 S 7/1941 Kurtz
 D135,375 S 3/1943 Biller
 2,339,100 A 1/1944 Netting
 2,348,617 A 5/1944 Furedy
 D174,221 S 3/1955 Hatch
 2,740,883 A 4/1956 Kruger
 2,741,694 A 4/1956 Wiig
 3,025,391 A 3/1962 Golko
 D193,802 S 10/1962 Thomsen
 D195,012 S 4/1963 Hoyle
 3,125,301 A 3/1964 Stotter
 3,263,071 A 7/1966 Fabbri
 3,272,978 A 9/1966 Jackson
 3,322,946 A 5/1967 Cooper
 3,420,995 A 1/1969 Dunckel
 D213,391 S 2/1969 Bruno
 3,433,941 A 3/1969 Hall
 3,684,883 A 8/1972 Entwistle
 3,701,898 A 10/1972 McNamara, Jr.
 3,829,677 A 8/1974 DeLlano
 4,028,542 A 6/1977 McReynolds, Jr.
 D245,016 S 7/1977 Barr
 4,037,096 A 7/1977 Brengord
 4,078,169 A 3/1978 Armstrong
 4,175,360 A 11/1979 Mulvey
 D259,738 S 6/1981 Boschetti
 D266,578 S 10/1982 Moshier
 D268,287 S 3/1983 Boschetti
 D270,577 S 9/1983 DeVos
 4,531,180 A 7/1985 Hernandez
 4,669,033 A 5/1987 Lee
 D290,662 S 7/1987 Basil
 D300,877 S 4/1989 Cyr
 4,855,884 A 8/1989 Richardson
 4,893,221 A 1/1990 Friedman
 4,933,821 A 6/1990 Anderson
 D311,597 S 10/1990 Poot
 5,006,752 A 4/1991 Eggink
 D323,897 S 2/1992 Compton
 5,192,129 A 3/1993 Figueroa
 5,199,784 A 4/1993 Hempleman
 5,253,152 A 10/1993 Yang
 5,353,746 A 10/1994 Del Rosario
 D352,126 S 11/1994 Ruud
 5,440,470 A 8/1995 Ly
 D373,000 S 8/1996 Brady
 5,570,947 A 11/1996 Felland
 D376,437 S 12/1996 Karlo
 5,621,267 A 4/1997 Shaffner
 D383,243 S 9/1997 Fry
 5,702,179 A 12/1997 Sidwell

D396,319 S 7/1998 Sutton
 D399,328 S 10/1998 Compton
 D400,289 S 10/1998 Wardenburg
 D401,006 S 11/1998 Edwards
 D405,976 S 2/1999 Beall
 5,924,789 A 7/1999 Thornton
 5,938,317 A 8/1999 Thornton
 D415,304 S 10/1999 Brown
 D418,626 S 1/2000 Herst
 D419,248 S 1/2000 Lyons
 6,024,468 A 2/2000 Kassay
 6,042,250 A 3/2000 Stragnola
 6,053,624 A 4/2000 Cronk
 D425,237 S 5/2000 Scott
 D425,652 S 5/2000 Brok
 D426,010 S 5/2000 Compton
 6,065,849 A 5/2000 Chen
 6,079,851 A 6/2000 Altman
 D428,516 S * 7/2000 Reo D26/118
 6,152,579 A 11/2000 Reed
 D439,008 S 3/2001 Kim
 6,247,830 B1 6/2001 Winnett
 D445,943 S 7/2001 Littman
 6,257,735 B1 7/2001 Baar
 6,267,483 B1 7/2001 Hembery
 D447,272 S * 8/2001 Smith D26/118
 6,299,327 B1 10/2001 Camarota
 D452,559 S 12/2001 Schonberger
 D456,927 S 5/2002 Russello
 D456,928 S 5/2002 Russello
 D456,938 S * 5/2002 Wardenburg D26/118
 D457,450 S 5/2002 Lamond et al.
 D459,825 S 7/2002 Field
 6,488,387 B2 12/2002 Wardenburg
 D469,564 S 1/2003 Brok
 6,527,422 B1 3/2003 Hutchison
 6,548,948 B1 4/2003 Muessli
 6,595,662 B2 7/2003 Wardenburg
 6,679,619 B2 1/2004 Saieva
 D486,593 S 2/2004 Griffin
 6,688,759 B1 2/2004 Hadjimichael
 D499,505 S 12/2004 Benensohn
 D504,343 S 4/2005 Ek
 6,908,212 B2 6/2005 Schultz
 7,011,424 B1 3/2006 Poulson
 7,083,309 B2 8/2006 Chan
 7,101,060 B2 9/2006 Oppenheimer
 7,131,753 B1 11/2006 Edwards, Jr.
 7,156,539 B2 1/2007 Cronk
 D542,460 S 5/2007 Hargreaves
 D543,652 S * 5/2007 Hargreaves D26/118
 D543,654 S 5/2007 Hargreaves
 D543,655 S 5/2007 Hargreaves
 D544,136 S 6/2007 Hargreaves
 D544,138 S 6/2007 Hargreaves
 D544,139 S 6/2007 Hargreaves
 D544,626 S 6/2007 Hargreaves
 D544,983 S 6/2007 Hargreaves
 D544,984 S 6/2007 Hargreaves
 D544,985 S 6/2007 Hargreaves
 D544,987 S 6/2007 Hargreaves
 D544,994 S 6/2007 Hargreaves
 D544,995 S * 6/2007 Hargreaves D26/118
 D545,460 S 6/2007 Mason, II
 D545,484 S * 6/2007 Hargreaves D26/118
 D545,485 S * 6/2007 Hargreaves D26/118
 D545,990 S 7/2007 Hargreaves
 D545,994 S 7/2007 Hargreaves
 D545,996 S 7/2007 Hargreaves
 7,360,927 B2 4/2008 Oka
 D569,024 S 5/2008 Redfern
 D572,858 S 7/2008 Santoro
 7,445,363 B2 11/2008 Vanden Eynden
 7,524,090 B2 4/2009 Hargreaves
 D603,087 S 10/2009 Mo
 D605,342 S 12/2009 Chung
 D608,490 S 1/2010 Chung
 7,641,367 B2 1/2010 Hargreaves
 7,654,702 B1 2/2010 Ding

(56)

References Cited

U.S. PATENT DOCUMENTS

D613,900 S	4/2010	Hargreaves	
D614,801 S *	4/2010	Collins	D26/118
7,722,228 B2	5/2010	Broer	
D617,028 S	6/2010	Verfuert	
D620,190 S	7/2010	Chung	
7,854,534 B2	12/2010	Liu	
D632,419 S	2/2011	Ng	
D633,640 S	3/2011	Wauters	
D634,060 S *	3/2011	Wardenburg	D26/118
D634,240 S	3/2011	Junkeer	
D634,468 S	3/2011	Hargreaves	
D634,469 S *	3/2011	Hargreaves	D26/118
D637,162 S	5/2011	Bridgman	
D637,341 S	5/2011	Wardenburg	
D637,752 S	5/2011	Mekhtarian	
D640,404 S	6/2011	Chipperfield	
7,959,331 B2	6/2011	Ho	
7,972,044 B2	7/2011	Burkhauser	
8,038,318 B2	10/2011	Plunk	
D648,652 S	11/2011	Hawkins	
D649,685 S	11/2011	Trzesniowski	
D650,515 S	12/2011	Bradley	
D650,935 S	12/2011	Beghelli	
8,113,696 B2	2/2012	Striebel	
D655,403 S	3/2012	Zakula	
D661,833 S	6/2012	Imajo	
8,209,912 B2	7/2012	Hargreaves	
D668,370 S	10/2012	Guercio	
D671,259 S	11/2012	Chen	
D672,908 S	12/2012	Wilcox	
D675,369 S *	1/2013	Michaud	D26/118
8,348,481 B2	1/2013	Chang	
D675,772 S	2/2013	Tran	
D678,597 S	3/2013	Lehman	
D678,599 S	3/2013	Boyer	
D683,064 S	5/2013	Tuck	
8,505,224 B2	8/2013	Huang	
D689,238 S	9/2013	Halsey	
D693,959 S *	11/2013	Boyer	D26/118
D698,075 S	1/2014	Klus	
D698,986 S *	2/2014	Reynolds	D26/118
D698,987 S	2/2014	Stanley	
D702,827 S	4/2014	Mase	
8,702,283 B2	4/2014	Bradley, Jr.	
D705,474 S	5/2014	Philips	
D705,974 S	5/2014	Blessitt	
D707,385 S *	6/2014	Wardenburg	D26/118
D708,390 S	7/2014	Roos	
D710,528 S	8/2014	Wardenburg	
8,801,235 B2	8/2014	Yurich	
D713,953 S	9/2014	Jepson	
D714,988 S	10/2014	Park	
D715,994 S	10/2014	Klus	
D720,488 S	12/2014	Toyohisa	
D720,505 S	12/2014	Kersten	
8,905,575 B2 *	12/2014	Durkee	F21V 7/0008 362/218
D720,876 S	1/2015	Haverfield	
D721,844 S	1/2015	Lay	
D722,654 S	2/2015	Martone	
D725,819 S	3/2015	Reynolds	
D725,820 S	3/2015	Hargreaves	
D726,359 S	4/2015	Grigore	
9,016,892 B1	4/2015	Scribante	
9,016,907 B2	4/2015	Stanley	
D728,848 S	5/2015	Reyes	
D729,435 S	5/2015	Arndt	
D730,556 S	5/2015	Toyohisa	
D731,103 S	6/2015	Wilke	
D731,701 S *	6/2015	Hargreaves	D26/118
D732,233 S	6/2015	Reynolds	
D732,234 S	6/2015	Rashidi Doust	
D732,235 S *	6/2015	Reynolds	D26/118
D732,236 S *	6/2015	Reynolds	D26/118
D733,347 S	6/2015	Dungan	
D733,952 S	7/2015	Lay	
D733,960 S	7/2015	Howe	
D734,534 S	7/2015	Howe	
D735,391 S	7/2015	Blessitt	
D735,401 S	7/2015	Clements	
D736,450 S *	8/2015	Reynolds	D26/118
D737,498 S	8/2015	Stanley	
D739,595 S	9/2015	Reynolds	
D740,486 S *	10/2015	Stanley	D26/118
D745,993 S	12/2015	Reynolds	
D747,029 S *	1/2016	Reynolds	D26/118
D747,538 S	1/2016	Hargreaves	
D747,825 S	1/2016	Reynolds	
D748,849 S *	2/2016	Stanley	D26/118
D749,773 S	2/2016	Waible	
D750,312 S	2/2016	Reynolds	
D750,313 S	2/2016	Reynolds	
D750,316 S *	2/2016	Reynolds	D26/118
9,255,690 B2	2/2016	Dimitriadis	
D751,244 S *	3/2016	Reynolds	D26/118
D751,245 S	3/2016	Stanley	
D751,247 S *	3/2016	Reynolds	D26/118
9,279,553 B1	3/2016	Scribante	
D756,016 S	5/2016	Hargreaves	
D756,023 S	5/2016	Hoffer	
D756,026 S	5/2016	Reynolds	
D757,323 S	5/2016	Reynolds	
D757,346 S	5/2016	Stanley	
9,335,038 B2	5/2016	Stanley	
9,451,743 B2	9/2016	Koerner	
9,551,482 B2	1/2017	Seward	
D783,887 S	4/2017	Stanley	
D783,888 S	4/2017	Reynolds	
D786,488 S	5/2017	Reynolds	
D786,489 S	5/2017	Stanley	
D786,490 S	5/2017	Stanley	
D786,491 S	5/2017	Reynolds	
D792,635 S	7/2017	Reynolds	
D793,616 S	8/2017	Reynolds	
2002/0073285 A1	6/2002	Butterworth	
2002/0141195 A1	10/2002	Wardenburg	
2003/0031011 A1	2/2003	Miller	
2003/0191783 A1	10/2003	Wolczko	
2004/0240214 A1	12/2004	Whitlow	
2005/0117333 A1	6/2005	Yoshida	
2005/0160481 A1	7/2005	Todd	
2005/0233691 A1	10/2005	Horton	
2006/0231081 A1	10/2006	Kirakosyan	
2006/0232984 A1	10/2006	Schuknecht	
2006/0282457 A1	12/2006	Williams	
2007/0051321 A1	3/2007	Chang	
2007/0070633 A1	3/2007	Eynden	
2007/0228993 A1	10/2007	Stuer	
2007/0246631 A1	10/2007	Brown	
2007/0282806 A1	12/2007	Hoffman	
2008/0059799 A1	3/2008	Scarlata	
2008/0117617 A1	5/2008	Hargreaves	
2008/0130304 A1	6/2008	Rash	
2008/0178957 A1	7/2008	Thomas et al.	
2008/0205030 A1	8/2008	Hargreaves	
2008/0205071 A1	8/2008	Townsley	
2008/0212326 A1	9/2008	Chon	
2008/0278950 A1	11/2008	Pickard	
2009/0166250 A1	7/2009	Subramanian et al.	
2009/0231840 A1	9/2009	Boehme	
2009/0262540 A1	10/2009	Hargreaves	
2009/0276478 A1	11/2009	Soman	
2009/0310373 A1	12/2009	Burkhauser	
2009/0316404 A1	12/2009	Mo	
2009/0323335 A1	12/2009	Yang	
2010/0214789 A1	8/2010	Hawkes	
2010/0238661 A1	9/2010	Pfund	
2010/0277908 A1	11/2010	Hu	
2010/0277929 A1	11/2010	Hargreaves	
2010/0295468 A1	11/2010	Pedersen	
2010/0302768 A1	12/2010	Collins	
2011/0169412 A1	7/2011	Yurich	
2011/0203096 A1	8/2011	Hargreaves	
2011/0259665 A1	10/2011	Morgan	

(56)

References Cited

U.S. PATENT DOCUMENTS

2012/0051041	A1	3/2012	Edmond
2012/0092859	A1	4/2012	Gregoris
2012/0145699	A1	6/2012	McMahan
2012/0212883	A1	8/2012	Hargreaves
2012/0230035	A1	9/2012	Bradley, Jr.
2013/0077329	A1	3/2013	Hessling
2013/0083539	A1	4/2013	Dimitriadis
2013/0155685	A1	6/2013	Stanley
2013/0242573	A1	9/2013	Petrsocki
2013/0250567	A1	9/2013	Edmond
2014/0378283	A1	12/2014	Qiu
2015/0023022	A1	1/2015	Stanley
2015/0098215	A1	4/2015	Torabifard
2015/0252992	A1	9/2015	Stanley
2015/0252993	A1	9/2015	Stanley
2015/0252994	A1	9/2015	Stanley
2015/0260381	A1	9/2015	Verfuwerth
2017/0211801	A1	7/2017	Stanely

FOREIGN PATENT DOCUMENTS

EP	0325003	7/1989
EP	0440274	8/1991
WO	02063210	8/2002
WO	03060379	7/2003
WO	2008018000	2/2008
WO	2009096775	8/2009
WO	2011119451	9/2011

OTHER PUBLICATIONS

Apollo Horticulture GLRCTAC 6" Air Cool Tube Grow Light Deluxe Glass Cylinder with Hood Reflector, image post late Oct. 15, 2010, site visted Oct. 3, 2014, (online), <http://www.amazon.com/apollo-horticulture-glrectac-cylinder-reflector/dp/b003qkvv04/ref=pd_sbs_lg_5?ie=utf8&refrid=1y9v9qhh4n5vncjtmfr>.

Apollo Horticulture GLRLS24 6" Air Cooled Hydroponic Grow Light Glass Reflector Hood, image post date Oct. 15, 2010, site visted Oct. 3, 2014, (online), <http://www.amazon.com/apollo-horticulture-glrls24-hydroponic-reflector/dp/B00BMVK8HG/ref=cm_cd_ql_qh_dp_i>.

Adjustable Reflector, image post date Apr. 23, 2012, site visited Sep. 23, 2015, http://web.archive.org/web/2012043260757/http://hydroponics-products.en.alibaba.com/product/519225678-213056444/adjustable_reflector_grow_light_hydroponics_greenhouse_horticulture_reflector_hood.html.

Agrotech Magnum Reflector, image post date Feb. 5, 2012, site visited Oct. 31, 2014, www.hydroponics.net/136580.

Cree CR22, image post date Apr. 28, 2011, site visited Nov. 15, 2014, <http://ledsmagazine.com/content/dam/leds/migrated/objects/news/8/4/19/cree204272011.jpg>.

ZR series High Efficacy Troffer, image post date Apr. 13, 2012, site visited Oct. 31, 2014, www.cree.com/lighting/products.

Grow Lights Home Depot: Find many types of grow lights for your plant, published Dec. 22, 2012, online. Site visited Jun. 25, 2014. [Http://besthomedecorfurniture.com/gardening-d%C3%A9cor/grow-lights-home-depot-few-things-to-consider-when-buying-grow-lighting-plants-online.html](http://besthomedecorfurniture.com/gardening-d%C3%A9cor/grow-lights-home-depot-few-things-to-consider-when-buying-grow-lighting-plants-online.html).

LED Grow Light Comparison Test Review, Youtube.com, published Jun. 29, 2012, online. Site visited Jun. 25, 2014. www.youtube.com/watch?v=f-8oy0qbgrs.

Illuminator Pro-Series Hybrid 350W, wordpress.com, published Dec. 22, 2010, online, site visited Jun. 25, 2014. <http://growsetup.wordpress.com/category/grow-lights/>.

California Lightworks New SolarStorm 440W LED Grow Light with UVB, hydrobuilder.com, online. Site visited Jun. 25, 2014.

http://hydrobuilder.com/solarstorm-440w-led-grow-light-with-uvb.html?dzid=strands_CLW-SS-440.

2013 Sunlight Supply Cataog, Issuu.com, published Aug. 1, 2013, online. Site visited Feb. 2, 2015. http://issuu.com/sunlightsupply/docs/2013_sunlightproductcatalog/49.

Pages 29 and 54 from 2014-2015 dealer catalog showing and describing Super Sun DE reflector published by Sunlight Supply, Inc. 2014.

Dominator XXXL Non AC Reflector pack of 3 Spec Sheet, GreenTreesHydroponics.com, date available Mar. 12, 2014, online. Site visited Feb. 3, 2015, <https://www.hydroponics.net/i/141477>.

Low Rider Air-Cooled Reflector—TinEye, image post date Oct. 11, 2012, site visited Oct. 1, 2015, www.tineye.com/search/1b0e187c5ed9e4e9cfb55d0472271385a2c0e88/?pluginver.

OG Air Cooled Parabolic Reflector Only—Make the Most of Your Grow Light, GroWell Hydroponics, <http://www.growell.co.uk/og-air-cooled-parabolic-reflector-only.html>, pp. 1-2, accessed Aug. 26, 2014.

Air Resistance: Distinguishing Between Laminar and Turbulent Flow, www.docstoc.com, Dec. 29, 2010, p. 1-6.

Sun Systems LEC 630 Light Emitting Ceramic Fixture, Spec Sheet for 906217—Sun System LEC 630 120 Volt w/3100 K Lamps, www.sunlightsupply.com/shop/bycategory/led-lighting/sun-system-lec-630-light-emitting-ceramic-fixture, online, updated Feb. 9, 2015. Site visited Mar. 30, 2015, p. 1.

Mohri, Mineko, International Preliminary Report on Patentability for PCT/US2014/014959, Jan. 19, 2016.

A3V Reflector, Titaness Light Shop, www.titanesslightshop.com/products-page/reflectors/a3v-reflector, online. Site visited Jan. 14, 2015.

G2V Grow Light Reflector, Titaness Light Shop, www.titanesslightshop.com/products-page/reflectors/g2v-grow-light-reflector, online. Site visited Jan. 14, 2015.

1000 Wall Galaxy Grow Amp Double Ended Grow Light Packages, image post date Jan. 30, 2014, sited visited Jan. 8, 2016, <<http://www.ehydroponics.com/100-watt-galaxy-grow-amp-double-ended-grow-light-package.html>>.

2009-10-watt-light-set—TinEye, image post date May 23, 2012, site visited Jul. 8, 2016, <<https://www.tineye.com/search/2de39cf51f7a031139a80ce555e2f30d0abd5216/>>.

Square 10 Watt LED Grow Light, image post date Aug. 1, 2011, site visited Jul. 8, 2016, <<http://www.dhgate.com/store/product/hydroponic-vegetable-10-watt-led-grow-light/216755031.html>>.

Sun System 630 Ceramic Metal Halide 120v Specifications, GrowersHouse.com, update on Sep. 9, 2014, Online. Site visited Feb. 3, 2015. <http://growershouse.com/aitdownloadablefiles/download/aitfile/aitfile_id/583/>.

Growlite HDE 600W-1000W Double Ended Lamp Concealed Vacuum Airflow Technology, Indoor Grow Science, site visited Aug. 3, 2016, <<http://www.indoorgrowscience.net/downloads/specs/hde.pdf>>.

Sun Systems LEC 315—Reviews?, rollitup.com forum, published Oct. 23, 2013, online. Visited Nov. 8, 2016. <<http://rollitup.org/t/sun-sytems-lec-315-reviews.742794>>.

Sun System LEC 315 120v Light Emitting Ceramic Metal Halide Fixture w/ Free Ratchet Light Hangers, Amazon.com, earliest review of Jul. 2, 2014, online. Visited Nov. 8, 2016<<http://www.amazon.com/sun-system-emitting-ceramic-fixture/dp/B00HBCV8TM>>.

LEC 315 Watt Grow Light Great Yield Reports!, YouTube.com, published Mar. 31, 2014, online. Visited Nov. 8, 2016. <<https://www.youtube.com/watch?v=QqcoW19KnUk>>.

Air Cooled Grow Lights, greensteamhydroponics.com, published May 24, 2014, online. Site visited Nov. 16, 2016. <http://web.archive.org/web/20140524103407/http://www.greenstreamhydroponics.com/aircooled-reflector-range-from-greenstream-hydroponics/prod_699.html>.

* cited by examiner

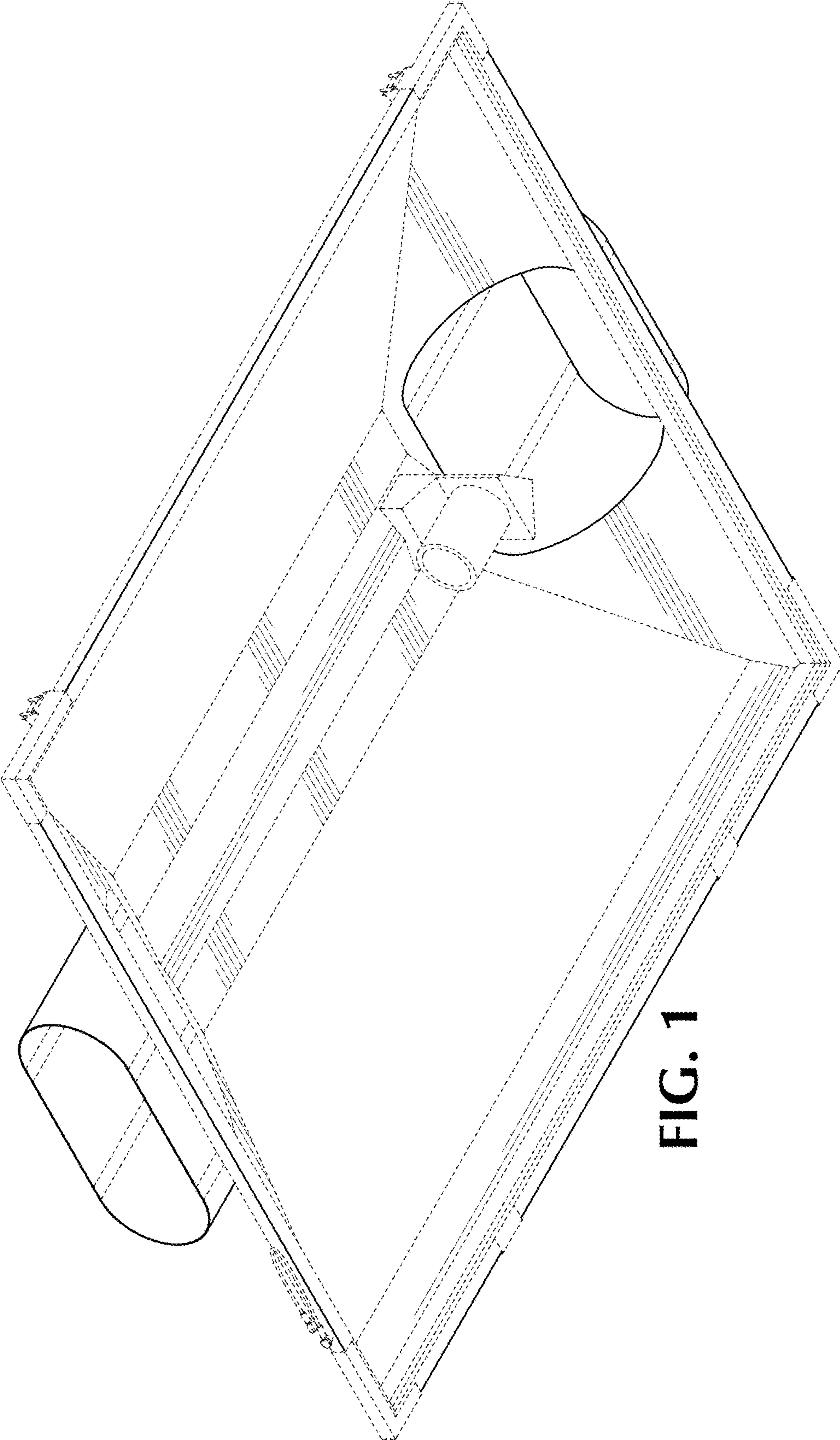


FIG. 1

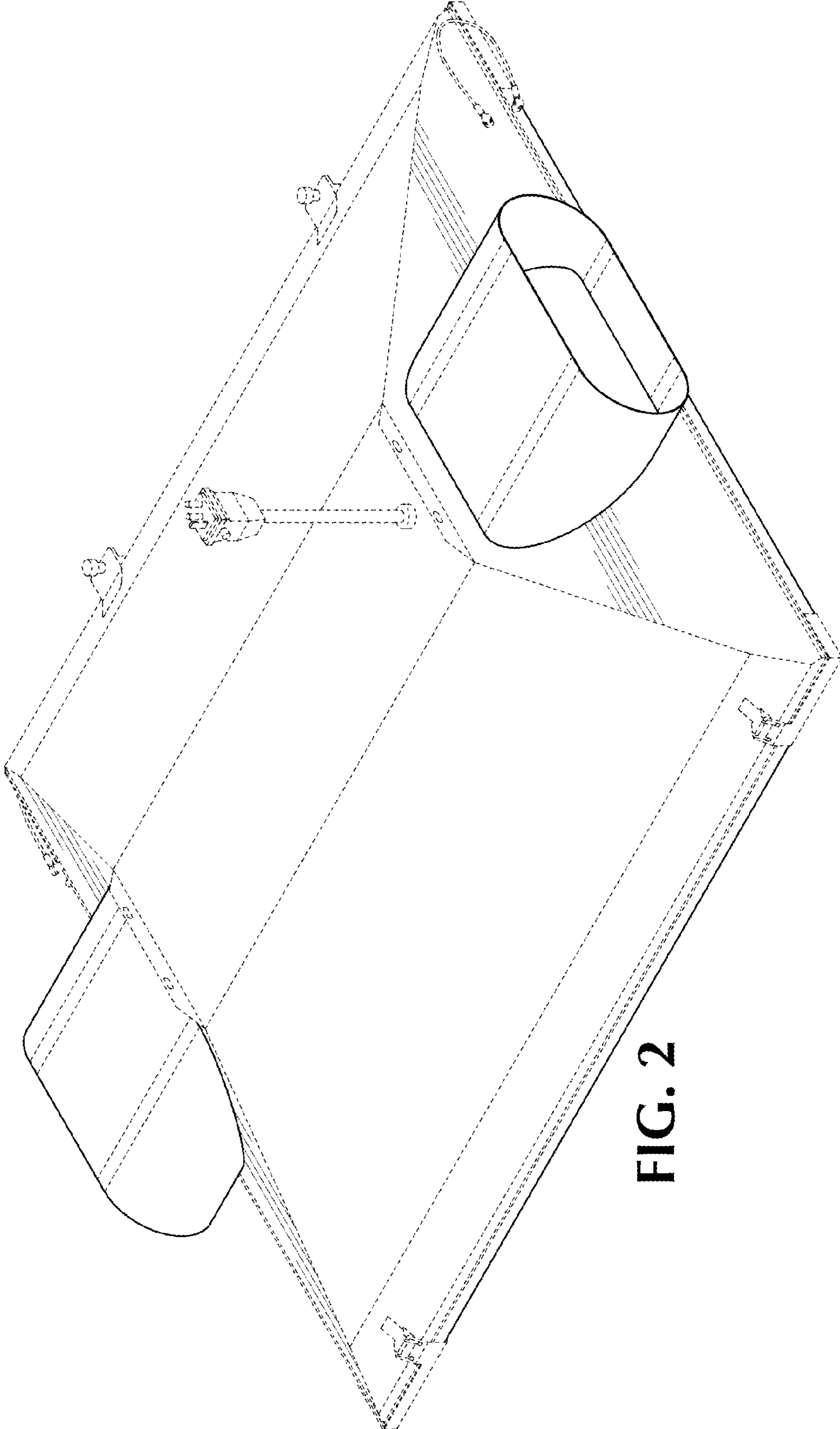


FIG. 2

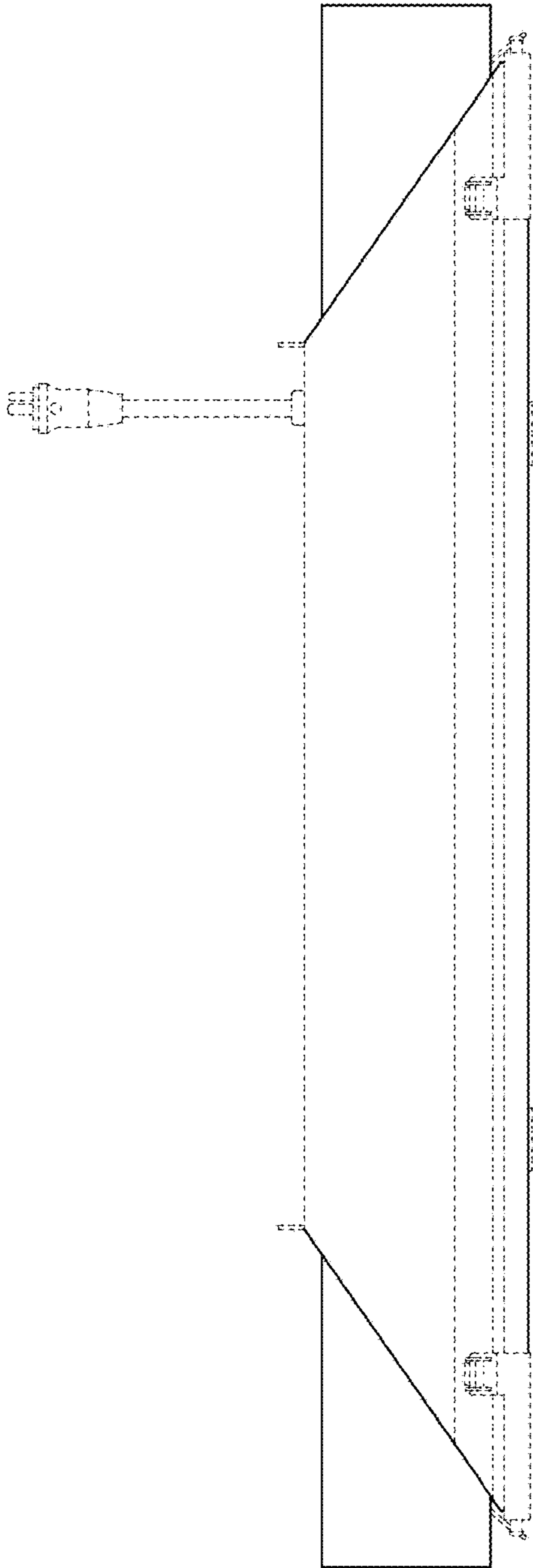


FIG. 3

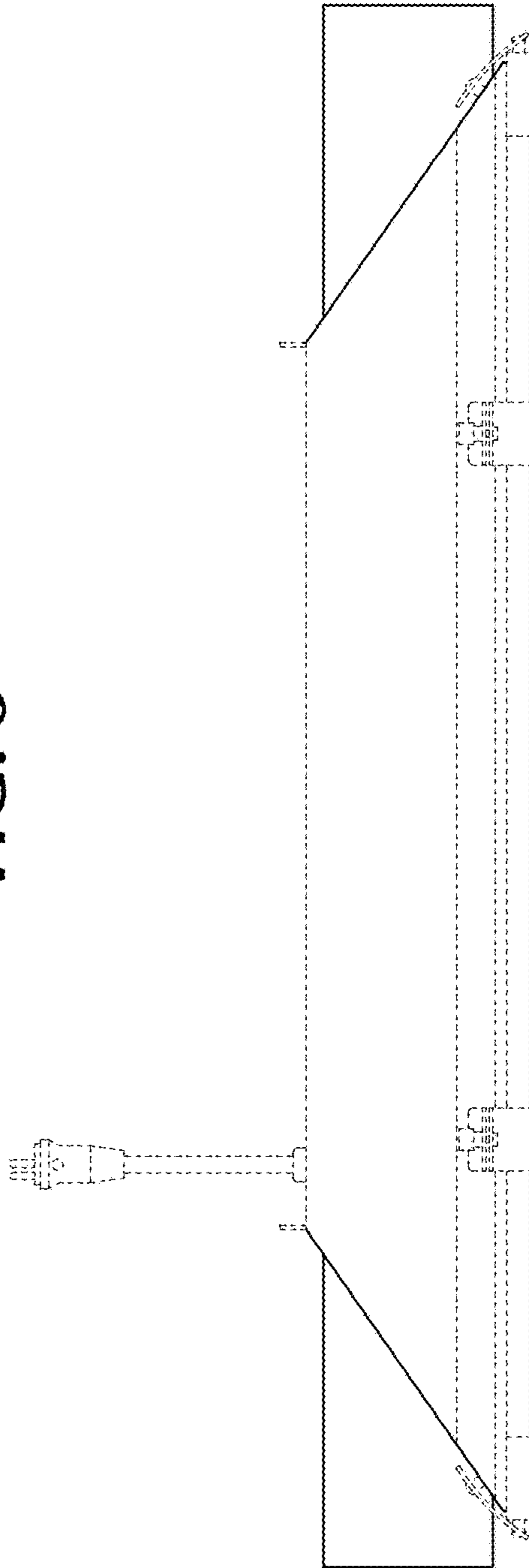


FIG. 4

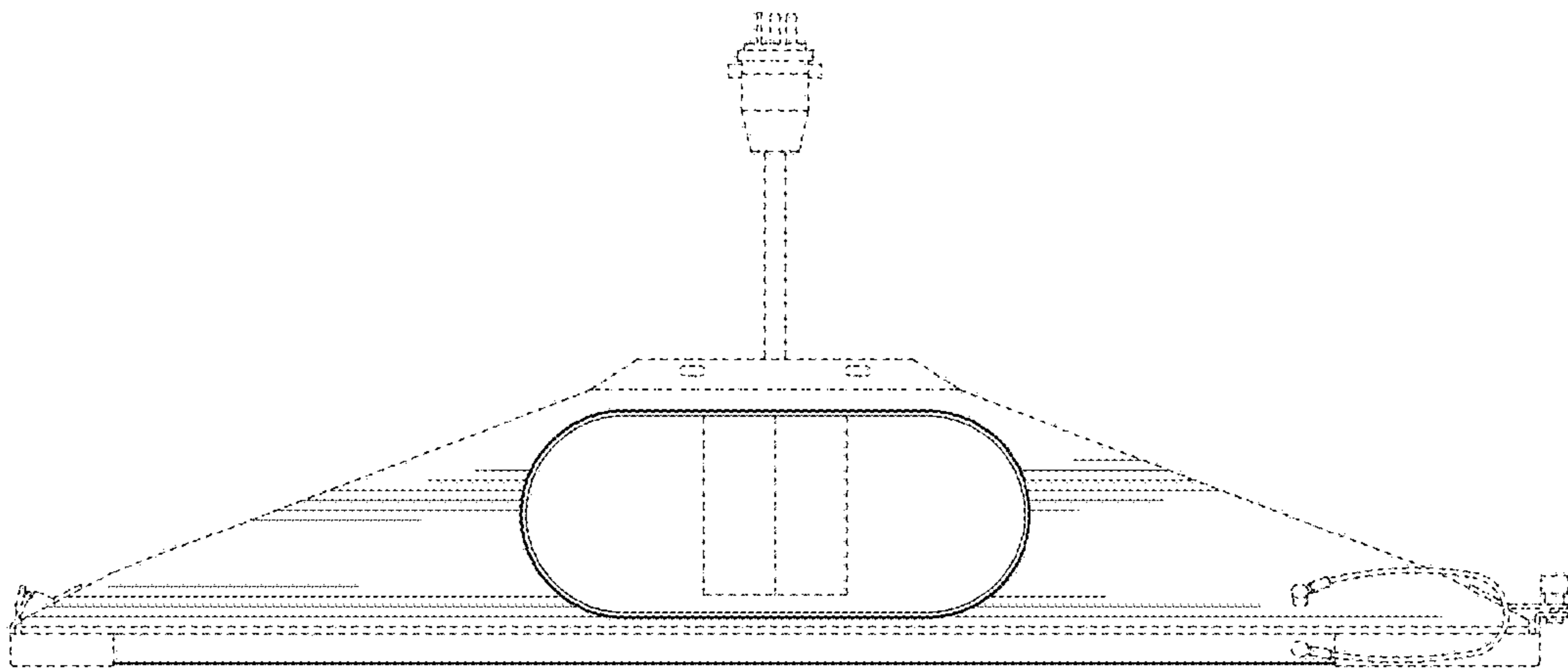


FIG. 5

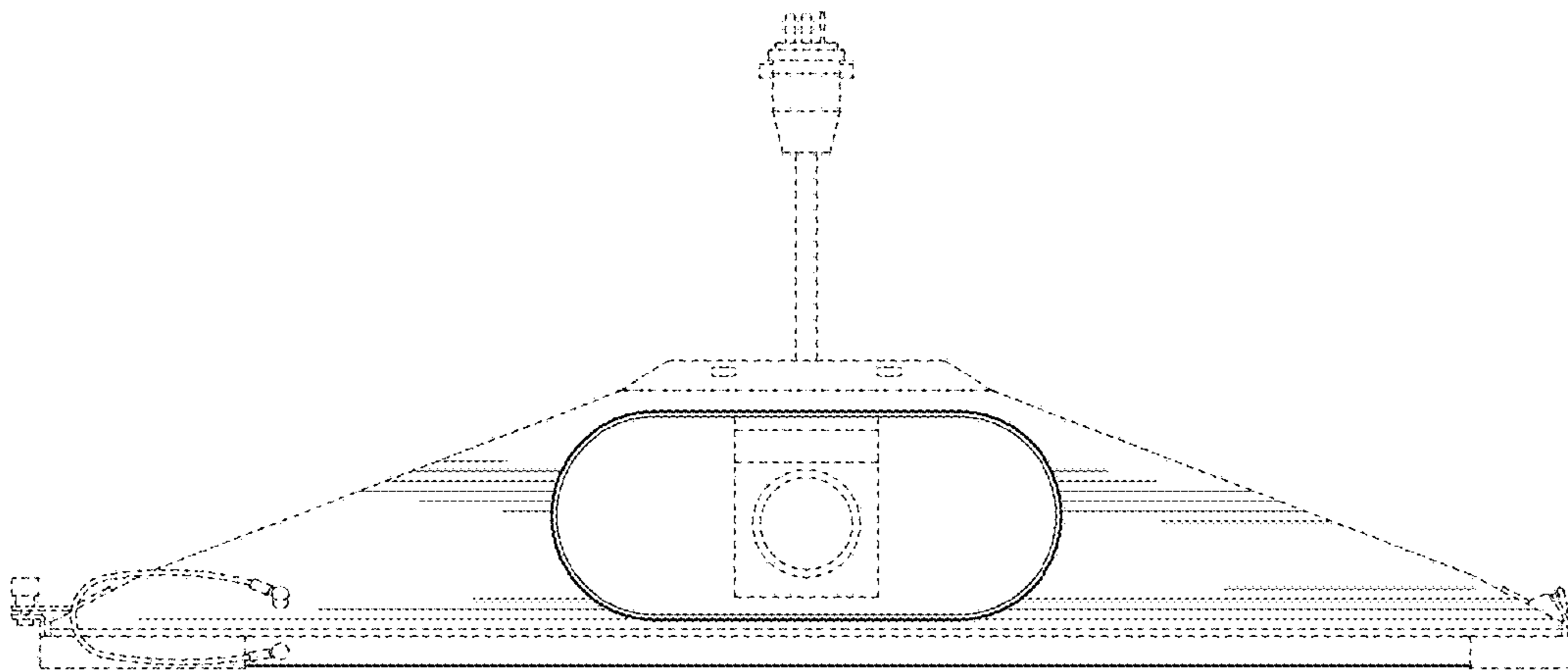
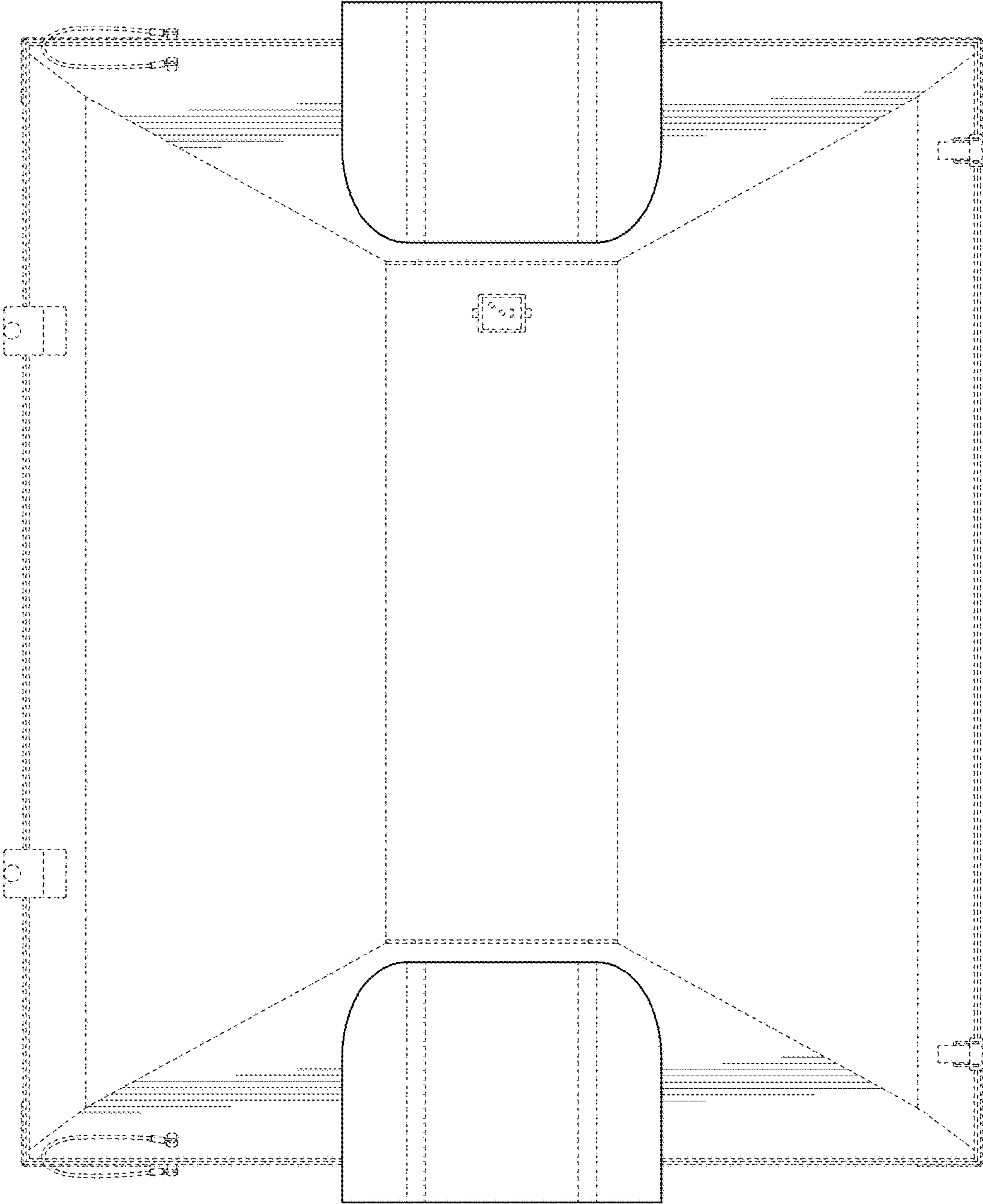


FIG. 6

FIG. 7



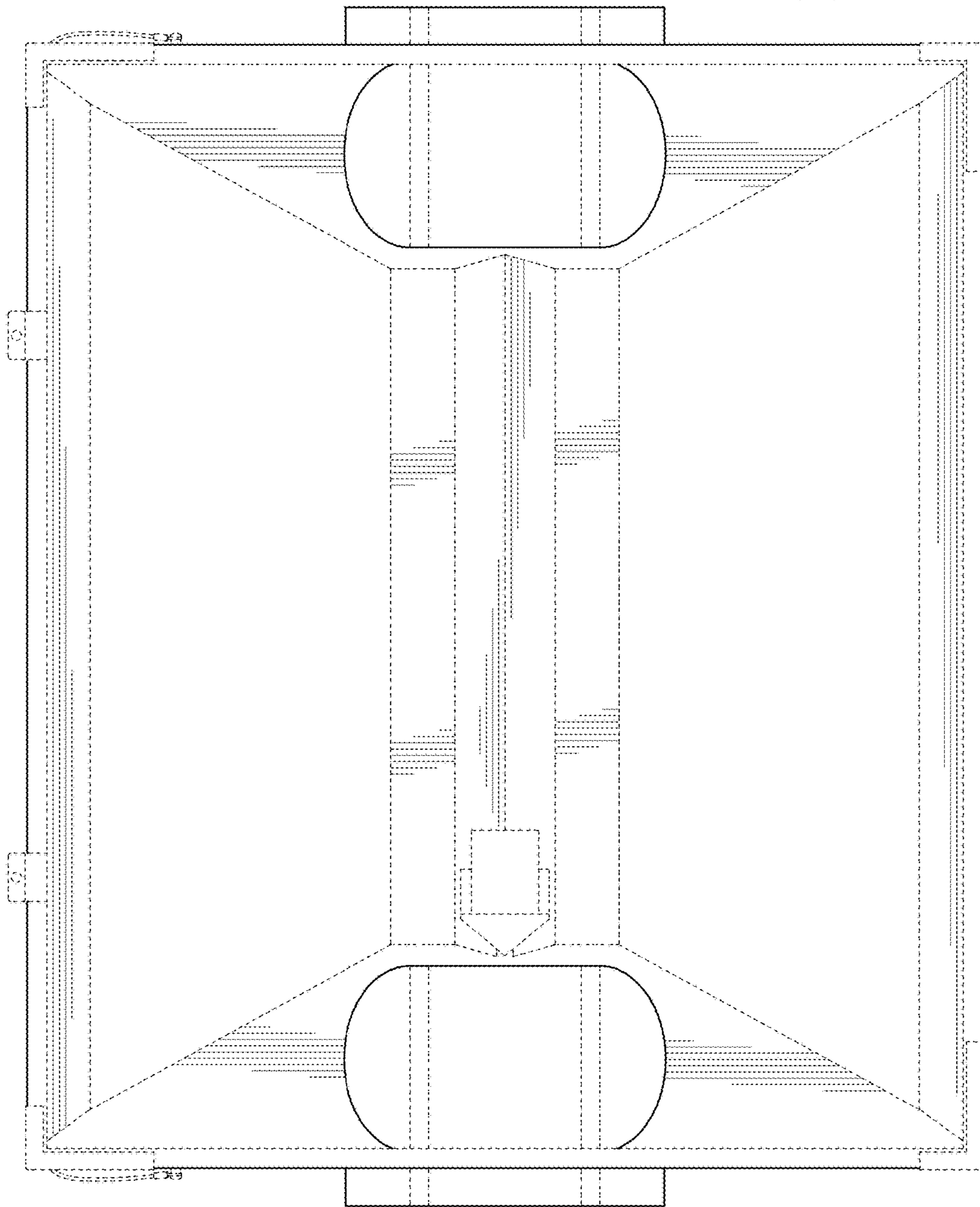


FIG. 8