

US00D804707S

(12) **United States Design Patent**
Reynolds

(10) **Patent No.:** **US D804,707 S**

(45) **Date of Patent:** **** Dec. 5, 2017**

(54) **LIGHT FIXTURE**

(71) Applicant: **IP Holdings, LLC**, Vancouver, WA (US)

(72) Inventor: **Christopher Reynolds**, Vancouver, WA (US)

(73) Assignee: **IP Holding, LLC**, Vancouver, WA (US)

(**) Term: **15 Years**

(21) Appl. No.: **29/593,770**

(22) Filed: **Feb. 13, 2017**

Related U.S. Application Data

(63) Continuation of application No. 29/550,803, filed on Jan. 7, 2016, now Pat. No. Des. 780,986.

(51) **LOC (10) Cl.** **26-05**

(52) **U.S. Cl.**
USPC **D26/118**

(58) **Field of Classification Search**
USPC ... D26/9, 10, 12, 13, 15, 16, 24, 51, 61, 72, D26/76, 80, 81, 85, 86, 88, 90, 113, 118, D26/119, 120, 122, 128, 129, 138, 143, D26/144
CPC B60Q 1/04; B60Q 1/26; F21S 8/026; F21S 8/04; F21V 29/004; F21V 21/02; F21V 21/04; F21V 29/2212; F21V 7/22; F21V

(Continued)

(56) **References Cited**

U.S. PATENT DOCUMENTS

D32,722 S 7/1861 Schmidlin

D46,253 S 8/1914 Kopp

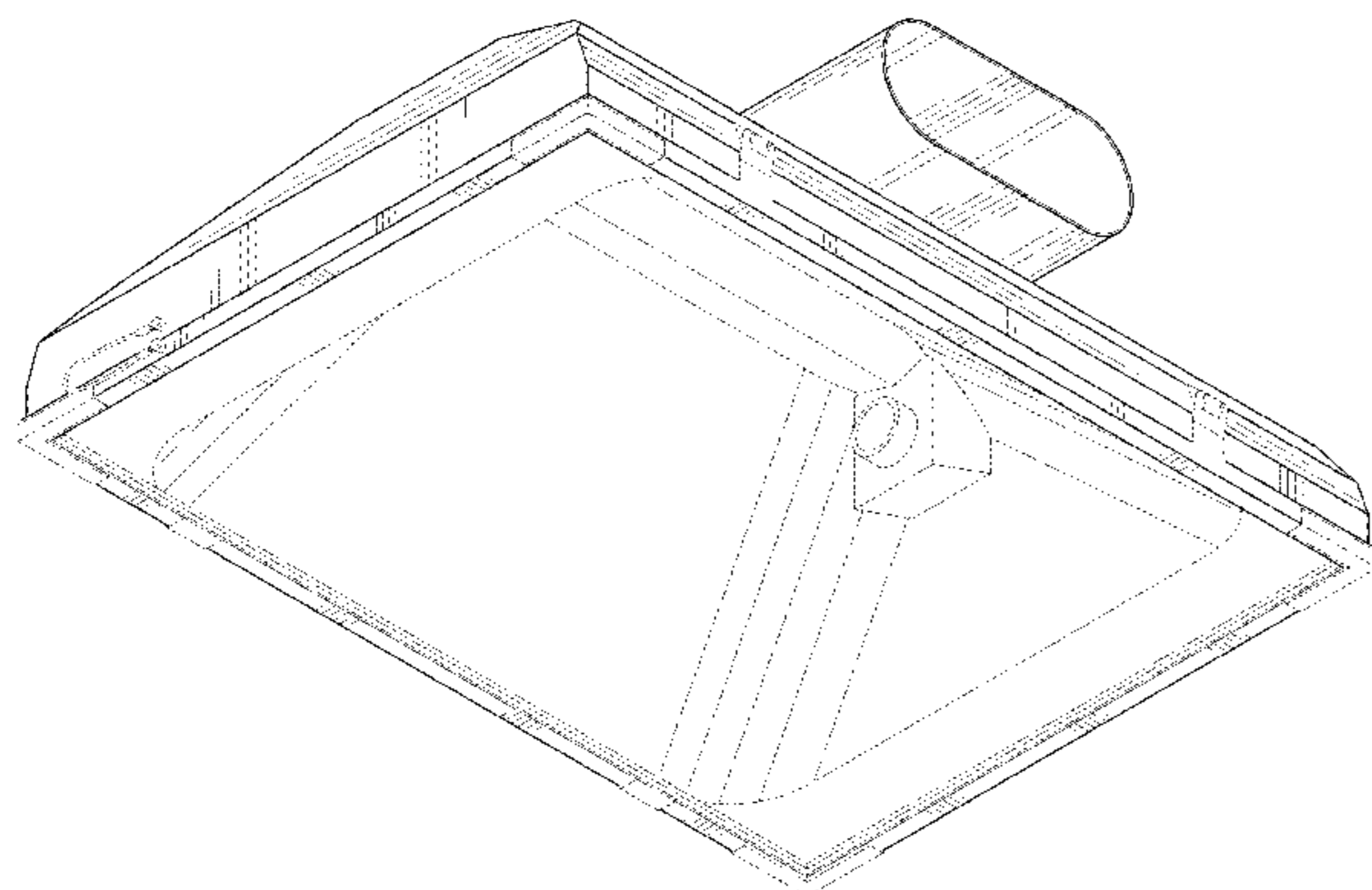
(Continued)

FOREIGN PATENT DOCUMENTS

CA 2034710 8/1991

CA 1314529 3/1993

(Continued)



OTHER PUBLICATIONS

Apollo Horticulture GLRCTAC 6" Air Cool Tube Grow Light Deluxe Glass Cylinder with Hood Reflector, image post date Oct. 15, 2010, site visited Oct. 3, 2014, (online), <http://www.amazon.com/apollo-horticulture-glrectac-cylinder-reflector/dp/b003qkvv04/ref=pd_sbs_lg_5?ie=utf8&refrid=1y9v9qhh4n5vnctjmfr>.

(Continued)

Primary Examiner — Brian N Vinson

(74) *Attorney, Agent, or Firm* — J. Douglas Wells

(57) **CLAIM**

The ornamental design for a light fixture, as shown and described.

DESCRIPTION

FIG. 1 is a perspective view of a light fixture, as viewed from below, showing my new design;

FIG. 2 is a perspective view of the light fixture shown in FIG. 1, as viewed from above;

FIG. 3 is a left side view of the light fixture shown in FIG. 1;

FIG. 4 is a right side view of the light fixture shown in FIG. 1;

FIG. 5 is a front elevation view of the light fixture shown in FIG. 1;

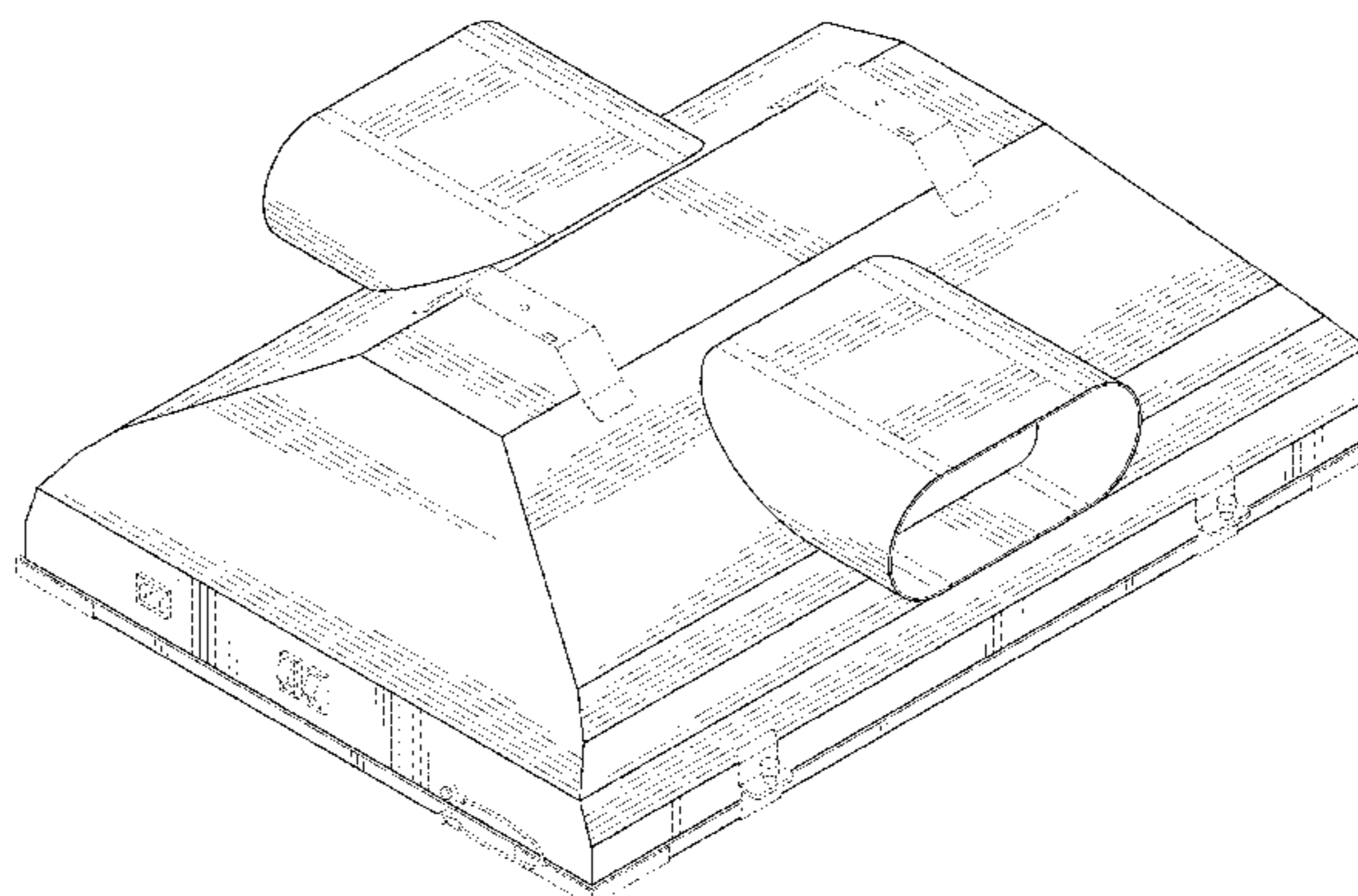
FIG. 6 is a rear elevation view of the light fixture shown in FIG. 1;

FIG. 7 is a top plan view of the light fixture shown in FIG. 1; and,

FIG. 8 is a bottom plan view of the light fixture shown in FIG. 1.

The broken-line disclosure shown in the views is understood to represent portions of the article in which the claimed design is embodied, but which form no part of the claimed design.

1 Claim, 6 Drawing Sheets



US D804,707 S

(58) **Field of Classification Search**
 CPC 29/83; F21V 37/002; F21V 7/00; F21L
 19/00; F23D 11/443; F21Y 2101/02;
 A61L 9/037
 See application file for complete search history.

4,980,809	A	12/1990	Baldwin
D316,301	S	4/1991	Michael
5,006,752	A	4/1991	Eggink
5,065,294	A	11/1991	Poot
5,072,349	A	12/1991	Waniga
D323,897	S	2/1992	Compton
5,088,015	A	2/1992	Baggio
D329,104	S	9/1992	Dieperink
D330,438	S	10/1992	Herst
5,192,129	A	3/1993	Figueroa
5,199,784	A	4/1993	Hempleman
5,253,152	A	10/1993	Yang
D349,358	S	8/1994	Herst
5,353,746	A	10/1994	Del Rosario
D352,126	S	11/1994	Ruud
5,440,470	A	8/1995	Ly
5,457,450	A	10/1995	Deese
5,461,554	A	10/1995	Leonetti
D365,159	S	12/1995	Tinen
5,486,737	A	1/1996	Hrubowchak
5,510,676	A	4/1996	Cottaar
D373,000	S	8/1996	Brady
5,555,162	A	9/1996	Shemitz
D374,301	S	10/1996	Kleffiman
5,568,680	A	10/1996	Parker
5,570,947	A	11/1996	Felland
D376,437	S	12/1996	Karlo
D377,993	S	2/1997	Herst
5,621,267	A	4/1997	Shaffner
D383,243	S	9/1997	Fry
5,698,947	A	12/1997	Choi
5,702,179	A	12/1997	Sidwell
D391,632	S	3/1998	Thomas
D396,319	S	7/1998	Sutton
D397,481	S	8/1998	Schafer
D399,328	S	10/1998	Compton
D399,329	S	10/1998	Compton
D399,587	S	10/1998	Compton
D400,289	S	10/1998	Wardenburg
5,816,694	A	10/1998	Ideker
D401,006	S	11/1998	Edwards
D405,976	S	2/1999	Beall
5,896,004	A	4/1999	Feldman
5,924,789	A	7/1999	Yurich
5,932,955	A	8/1999	Berger
5,938,317	A	8/1999	Thornton
D415,304	S	10/1999	Brown
5,983,564	A	11/1999	Stragnola
5,987,697	A	11/1999	Song
5,999,943	A	12/1999	Nori
D418,626	S	1/2000	Herst
D419,248	S	1/2000	Lyons
6,024,468	A	2/2000	Kassay
6,042,250	A	3/2000	Stragnola
6,051,927	A	4/2000	Graser
6,053,624	A	4/2000	Cronk
D425,237	S	5/2000	Scott
D425,652	S	5/2000	Brok
D426,010	S	5/2000	Compton
6,061,690	A	5/2000	Nori
6,065,849	A	5/2000	Chen
6,070,173	A	5/2000	Huber
6,076,944	A	6/2000	Maranon
6,079,851	A	6/2000	Altman
D428,516	S	7/2000	Reo
6,094,919	A	8/2000	Bhatia
6,111,739	A	8/2000	Wu
6,152,579	A	11/2000	Reed
D439,008	S	3/2001	Kim
6,210,025	B1	4/2001	Schmidt
6,230,497	B1	5/2001	Morris
D443,198	S	6/2001	Snyder
D443,949	S	6/2001	DiMonte
6,247,830	B1	6/2001	Winnett
D445,943	S	7/2001	Littman
6,257,735	B1	7/2001	Baar
6,267,483	B1	7/2001	Hembery

(56) **References Cited**
 U.S. PATENT DOCUMENTS

1,410,945	A	3/1922	Mayfield
1,547,026	A	7/1925	Canney
1,798,567	A	3/1931	Wagenhorst
D85,049	S	9/1931	Kopp
D85,382	S	10/1931	Guth
1,848,734	A	3/1932	Luce
1,873,310	A	8/1932	Doane
1,930,070	A	10/1933	Zecher
1,987,705	A	1/1935	Pedersen
D106,614	S	10/1937	Waterbury
2,194,841	A	3/1940	Welch
D119,800	S	4/1940	Carter
D123,768	S	12/1940	Scribner
D125,559	S	3/1941	Biller
2,242,590	A	5/1941	Marcel
D128,049	S	7/1941	Kurtz
D135,375	S	3/1943	Biller
2,339,100	A	1/1944	Netting
2,348,617	A	5/1944	Furedy
D156,014	S	11/1949	Lazerson
2,492,946	A	1/1950	Barber
D174,221	S	3/1955	Hatch
2,740,883	A	4/1956	Kruger
2,741,694	A	4/1956	Wiig
2,998,511	A	8/1961	Chan
3,025,391	A	3/1962	Golko
D193,802	S	10/1962	Thomsen
D195,012	S	4/1963	Hoyle
3,125,301	A	3/1964	Stotter
3,263,071	A	7/1966	Fabbri
3,272,978	A	9/1966	Jackson
3,322,946	A	5/1967	Cooper
3,420,995	A	1/1969	Dunckel
D213,391	S	2/1969	Bruno
3,433,941	A	3/1969	Hall
3,675,008	A	7/1972	Hill
3,684,883	A	8/1972	Entwistle
3,701,898	A	10/1972	McNamara, Jr.
3,755,667	A	8/1973	Price
3,829,677	A	8/1974	DeLlano
3,902,059	A	8/1975	McNamara, Jr.
3,911,265	A	10/1975	Landrum
4,028,542	A	6/1977	McReynolds, Jr.
D245,016	S	7/1977	Barr
4,037,096	A	7/1977	Brengord
4,078,169	A	3/1978	Armstrong
4,175,360	A	11/1979	Mulvey
4,229,782	A	10/1980	Ruud
D259,738	S	6/1981	Boschetti
4,308,573	A	12/1981	McNamara, Jr.
D262,659	S	1/1982	Laltta
D266,578	S	10/1982	Moshier
D268,287	S	3/1983	Boschetti
D270,577	S	9/1983	DeVos
4,446,506	A	5/1984	Larson
4,531,180	A	7/1985	Hernandez
4,616,293	A	10/1986	Baliozian
4,669,033	A	5/1987	Lee
D290,662	S	7/1987	Basil
D300,877	S	4/1989	Cyr
4,855,884	A	8/1989	Richardson
4,893,221	A	1/1990	Friedman
4,933,821	A	6/1990	Anderson
4,939,629	A	7/1990	Glanton
D311,597	S	10/1990	Poot
4,970,428	A	11/1990	Hayakawa

(56)

References Cited

U.S. PATENT DOCUMENTS

D447,272 S	8/2001	Smith	7,641,367 B2	1/2010	Hargreaves	
6,279,012 B1	8/2001	Sexton	7,654,702 B1	2/2010	Ding	
6,299,327 B1	10/2001	Camarota	D613,900 S	4/2010	Hargreaves	
D452,559 S	12/2001	Schonberger	D614,801 S	4/2010	Collins	
6,343,984 B1	2/2002	Langdon	7,722,228 B2	5/2010	Broer	
6,371,630 B1	4/2002	Unger	D617,028 S	6/2010	Verfuert	
D456,927 S	5/2002	Russello	D620,190 S	7/2010	Chung	
D456,928 S	5/2002	Russello	D621,993 S	8/2010	Jong	
D456,938 S	5/2002	Wardenburg	7,771,086 B2	8/2010	Goverde	
D459,825 S	7/2002	Field	D628,335 S	11/2010	Hyland	
6,488,387 B2	12/2002	Wardenburg	7,854,534 B2	12/2010	Liu	
D469,564 S	1/2003	Brok	D632,419 S	2/2011	Ng	
6,527,422 B1	3/2003	Hutchison	D633,247 S	2/2011	Kong	
6,548,948 B1	4/2003	Muessli	D633,640 S	3/2011	Wauters	
6,595,662 B2	7/2003	Wardenburg	D634,060 S *	3/2011	Wardenburg	D26/118
6,601,972 B2	8/2003	Sei	D634,240 S	3/2011	Junkeer	
6,658,652 B1	12/2003	Alexander	D634,468 S	3/2011	Hargreaves	
6,679,619 B2	1/2004	Saieva	D634,469 S *	3/2011	Hargreaves	D26/118
D486,593 S	2/2004	Griffin	D637,162 S	5/2011	Bridgman	
6,688,759 B1	2/2004	Hadjimichael	D637,341 S	5/2011	Wardenburg	
6,709,131 B1	3/2004	Herst	D637,752 S	5/2011	Mekhtarian	
6,729,383 B1	5/2004	Cannell	D640,404 S	6/2011	Chipperfield	
6,783,263 B1	8/2004	Cronk	7,959,331 B2	6/2011	Ho	
D496,121 S	9/2004	Santoro	D641,100 S	7/2011	Li	
D499,504 S	12/2004	Meyer	7,972,044 B2	7/2011	Burkhauser	
D499,505 S	12/2004	Benensohn	D644,185 S	8/2011	Hargreaves	
D504,343 S	4/2005	Ek	7,987,632 B2	8/2011	May	
6,885,134 B2	4/2005	Kurashima	8,018,630 B2	9/2011	Herloski	
6,908,212 B2	6/2005	Schultz	8,038,318 B2	10/2011	Plunk	
7,011,424 B1	3/2006	Poulson	D648,652 S	11/2011	Hawkins	
7,083,309 B2	8/2006	Chan	D649,685 S	11/2011	Trzesniowski	
7,101,060 B2	9/2006	Oppenheimer	D650,515 S	12/2011	Bradley	
7,131,753 B1	11/2006	Edwards, Jr.	D650,935 S	12/2011	Beghelli	
7,156,539 B2	1/2007	Cronk	8,113,696 B2	2/2012	Striebel	
7,175,309 B2	2/2007	Craw	D655,403 S	3/2012	Zakula	
D542,460 S	5/2007	Hargreaves	D657,748 S	4/2012	Hargreaves	
D543,652 S	5/2007	Hargreaves	D660,252 S	5/2012	Hargreaves	
D543,654 S	5/2007	Hargreaves	D661,370 S	6/2012	Imajo	
D543,655 S	5/2007	Hargreaves	D661,833 S	6/2012	Imajo	
7,213,948 B2	5/2007	Hein	8,209,912 B2	7/2012	Hargreaves	
D544,136 S	6/2007	Hargreaves	8,215,799 B2	7/2012	Vanden Eynden	
D544,138 S	6/2007	Hargreaves	D667,584 S	9/2012	Beghelli	
D544,139 S	6/2007	Hargreaves	D668,370 S	10/2012	Guercio	
D544,626 S	6/2007	Hargreaves	D671,259 S	11/2012	Chen	
D544,980 S	6/2007	Hargreaves	D672,908 S	12/2012	Wilcox	
D544,981 S	6/2007	Hargreaves	D672,911 S	12/2012	Mayfield, III	
D544,982 S	6/2007	Hargreaves	D673,324 S	12/2012	Mayfield	
D544,983 S	6/2007	Hargreaves	8,334,640 B2	12/2012	Reed	
D544,984 S	6/2007	Hargreaves	D675,369 S	1/2013	Michaud	
D544,985 S	6/2007	Hargreaves	8,348,481 B2	1/2013	Chang	
D544,987 S	6/2007	Hargreaves	D675,772 S	2/2013	Tran	
D544,994 S	6/2007	Hargreaves	8,371,726 B2	2/2013	Collins	
D544,995 S	6/2007	Hargreaves	D678,597 S	3/2013	Lehman	
D545,460 S	6/2007	Mason, II	D678,599 S	3/2013	Boyer	
D545,484 S	6/2007	Hargreaves	D679,848 S	4/2013	Pickard	
D545,485 S	6/2007	Hargreaves	D683,064 S	5/2013	Tuck	
D545,990 S	7/2007	Hargreaves	8,505,224 B2	8/2013	Huang	
D545,994 S	7/2007	Hargreaves	D689,238 S	9/2013	Halsey	
D545,996 S	7/2007	Hargreaves	D690,875 S	10/2013	McKenzie	
D549,869 S	8/2007	Ward	D693,959 S	11/2013	Boyer	
7,296,914 B1	11/2007	Russello	D697,663 S	1/2014	Speier	
7,360,927 B2	4/2008	Oka	D698,074 S	1/2014	Hargreaves	
D569,024 S	5/2008	Redfern	D698,075 S	1/2014	Klus	
D572,858 S	7/2008	Santoro	D698,986 S *	2/2014	Reynolds	D26/118
7,445,363 B2	11/2008	Vanden Eynden	D698,987 S	2/2014	Stanley	
7,524,090 B2	4/2009	Hargreaves	D699,386 S	2/2014	Park	
7,534,011 B2	5/2009	Townsley	D702,827 S	4/2014	Mase	
D595,894 S	7/2009	Verfuert	8,702,283 B2	4/2014	Bradley, Jr.	
D602,625 S	10/2009	Santoro	D705,474 S	5/2014	Philips	
D603,087 S	10/2009	Mo	D705,974 S	5/2014	Blessitt	
7,617,057 B2	11/2009	May	8,723,086 B2	5/2014	McMahan	
D605,342 S	12/2009	Chung	D707,385 S	6/2014	Wardenburg	
D608,490 S	1/2010	Chung	D708,390 S	7/2014	Roos	
			D710,528 S	8/2014	Wardenburg	
			8,801,235 B2	8/2014	Yurich	
			D713,953 S	9/2014	Jepson	
			D714,988 S	10/2014	Park	

(56)

References Cited

U.S. PATENT DOCUMENTS

D715,994 S 10/2014 Klus
 D716,995 S 11/2014 Zhu
 D717,487 S 11/2014 Guzzini
 D717,636 S 11/2014 Stanley
 D720,488 S 12/2014 Toyohisa
 D720,505 S 12/2014 Kersten
 8,905,575 B2 12/2014 Durkee
 D720,876 S 1/2015 Haverfield
 D721,844 S 1/2015 Lay
 D722,654 S 2/2015 Martone
 D725,819 S 3/2015 Reynolds
 D725,820 S 3/2015 Hargreaves
 8,967,821 B2 3/2015 Pickard
 D726,359 S 4/2015 Grigore
 8,998,473 B1 4/2015 Anderson
 9,016,892 B1 4/2015 Scribante
 9,016,907 B2 4/2015 Stanley
 D728,848 S 5/2015 Reyes
 D729,435 S 5/2015 Arndt
 D730,556 S 5/2015 Toyohisa
 D731,103 S 6/2015 Wilke
 D731,109 S 6/2015 Wardenburg
 D731,701 S 6/2015 Hargreaves
 D732,233 S 6/2015 Reynolds
 D732,234 S 6/2015 Rashidi Doust
 D732,235 S 6/2015 Reynolds
 D732,236 S 6/2015 Reynolds
 D733,347 S 6/2015 Dungan
 D733,952 S 7/2015 Lay
 D733,960 S 7/2015 Howe
 D734,534 S 7/2015 Howe
 D735,391 S 7/2015 Blessitt
 D735,401 S 7/2015 Clements
 D736,450 S * 8/2015 Reynolds D26/118
 D737,498 S 8/2015 Stanley
 9,110,209 B2 8/2015 Blessitt
 D738,031 S 9/2015 Martins
 D739,595 S 9/2015 Reynolds
 9,127,826 B2 9/2015 Boyer
 D740,486 S 10/2015 Stanley
 D740,996 S 10/2015 Tragatschnig
 D745,993 S 12/2015 Reynolds
 D747,029 S * 1/2016 Reynolds D26/118
 D747,538 S 1/2016 Hargreaves
 D747,825 S 1/2016 Reynolds
 D747,923 S 1/2016 Cornu
 D748,319 S 1/2016 Johnson
 D748,320 S 1/2016 Johnson
 D748,847 S 2/2016 Johnson
 D748,849 S * 2/2016 Stanley D26/118
 D748,850 S 2/2016 Johnson
 D749,773 S 2/2016 Waible
 D750,312 S 2/2016 Reynolds
 D750,313 S 2/2016 Reynolds
 D750,316 S 2/2016 Reynolds
 9,255,690 B2 2/2016 Dimitriadis
 D750,831 S 3/2016 Clements
 D751,244 S 3/2016 Reynolds
 D751,245 S * 3/2016 Stanley D26/118
 D751,247 S 3/2016 Reynolds
 D753,654 S 4/2016 Eastwood
 9,310,037 B2 4/2016 Cercone
 D756,016 S 5/2016 Hargreaves
 D756,023 S 5/2016 Hoffer
 D756,026 S 5/2016 Reynolds
 D757,323 S 5/2016 Reynolds
 D757,326 S 5/2016 Reynolds
 D757,346 S * 5/2016 Stanley D26/118
 9,335,038 B2 5/2016 Stanley
 9,366,947 B2 6/2016 Miyata
 D762,320 S 7/2016 Reynolds
 D765,306 S * 8/2016 Wardenburg D26/118
 D766,756 S 9/2016 Franc
 D769,513 S 10/2016 Reynolds
 D769,514 S 10/2016 Reynolds

D770,079 S 10/2016 Stanley
 D770,082 S 10/2016 Reynolds
 D770,670 S 11/2016 Reynolds
 D770,671 S 11/2016 Reynolds
 D771,301 S 11/2016 Stanley
 D771,304 S 11/2016 Goltche
 D773,107 S 11/2016 Stanley
 D775,406 S 12/2016 Hargreaves
 D775,760 S 1/2017 Reynolds
 D780,985 S 3/2017 Stanley
 D780,986 S 3/2017 Reynolds
 D781,492 S 3/2017 Reynolds
 D783,887 S 4/2017 Stanley
 D786,488 S 5/2017 Reynolds
 D786,489 S 5/2017 Stanley
 D786,490 S 5/2017 Stanley
 2002/0073285 A1 6/2002 Butterworth
 2002/0141195 A1 10/2002 Peter
 2003/0031011 A1 2/2003 Miller
 2003/0191783 A1 10/2003 Wolczko
 2004/0240214 A1 12/2004 Whitlow
 2005/0117333 A1 6/2005 Yoshida
 2005/0160481 A1 7/2005 Todd
 2005/0233691 A1 10/2005 Horton
 2006/0231081 A1 10/2006 Kirakosyan
 2006/0232984 A1 10/2006 Schuknecht
 2006/0282457 A1 12/2006 Williams
 2007/0051321 A1 3/2007 Chang
 2007/0070633 A1 3/2007 Eynden
 2007/0228993 A1 10/2007 Stuer
 2007/0246631 A1 10/2007 Brown
 2007/0282806 A1 12/2007 Hoffman
 2008/0059799 A1 3/2008 Scarlata
 2008/0117617 A1 5/2008 Hargreaves
 2008/0130304 A1 6/2008 Rash
 2008/0205030 A1 8/2008 Hargreaves
 2008/0205071 A1 8/2008 Townsley
 2008/0212326 A1 9/2008 Chon
 2008/0278950 A1 11/2008 Pickard
 2008/0278957 A1 11/2008 Pickard
 2009/0116250 A1 5/2009 Hargreaves
 2009/0231840 A1 9/2009 Boehme
 2009/0262540 A1 10/2009 Hargreaves
 2009/0276478 A1 11/2009 Soman
 2009/0310373 A1 12/2009 Burkhauser
 2009/0316404 A1 12/2009 Mo
 2009/0323335 A1 12/2009 Yang
 2010/0214789 A1 8/2010 Hawkes
 2010/0238661 A1 9/2010 Pfund
 2010/0277908 A1 11/2010 Hu
 2010/0277929 A1 11/2010 Hargreaves
 2010/0295468 A1 11/2010 Pedersen
 2010/0302768 A1 12/2010 Collins
 2011/0169412 A1 7/2011 Yurich
 2011/0203096 A1 8/2011 Hargreaves
 2011/0259665 A1 10/2011 Morgan
 2012/0051041 A1 3/2012 Edmond
 2012/0092859 A1 4/2012 Gregoris
 2012/0145699 A1 6/2012 McMahan
 2012/0212883 A1 8/2012 Hargreaves
 2012/0230035 A1 9/2012 Bradley, Jr.
 2013/0077329 A1 3/2013 Hessling
 2013/0083539 A1 4/2013 Dimitriadis
 2013/0155685 A1 6/2013 Stanley
 2013/0242573 A1 9/2013 Petrsoiki
 2013/0250567 A1 9/2013 Edmond
 2014/0378283 A1 12/2014 Qiu
 2015/0023022 A1 1/2015 Stanley
 2015/0098215 A1 4/2015 Torabifard
 2015/0252992 A1 9/2015 Stanley
 2015/0252993 A1 9/2015 Stanley
 2015/0252994 A1 9/2015 Stanley
 2015/0260381 A1 9/2015 Verfuert

FOREIGN PATENT DOCUMENTS

EP 0325003 7/1989
 EP 0440274 8/1991
 WO 02063210 8/2002

(56)

References Cited

FOREIGN PATENT DOCUMENTS

WO	03060379	7/2003
WO	2008018000	2/2008
WO	2009096775	8/2009
WO	2011119451	9/2011

OTHER PUBLICATIONS

Apollo Horticulture GLRLS24 6" Air Cooled Hydroponic Grow Light Glass Reflector Hood, image post date Oct. 15, 2010, site visited Oct. 3, 2014, (online), <http://www.amazon.com/apollo-horticulture-GLRLS24-hydroponic-reflector/dp/B00BMVK8HG/ref=cm_cd_ql_qh_dp_i>.

Adjustable Reflector, image post date Apr. 23, 2012, site visited Sep. 23, 2015, http://web.archive.org/web/2012043260757/http://hydroponics-products.en.alibaba.com/product/519225678-213056444/adjustable_reflector_grow_light_hydroponics_greenhouse_horticulture_reflector_hood.html.

Agrotech Magnum Reflector, image post date Feb. 5, 2012, site visited Oct. 31, 2014, www.hydroponics.net/i/136580.

Cree CR22, image post date Apr. 28, 2011, site visited Nov. 15, 2014, <http://ledsmagazine.com/content/dam/leds/migrated/objects/news/8/4/19/cree204272011.jpg>.

ZR series High Efficacy Troffer, image post date Apr. 13, 2012, site visited Oct. 31, 2014, www.cree.com/lighting/products.

Grow Lights Home Depot: Find many types of grow lights for your plant, published Dec. 22, 2012, online. Site visited Jun. 25, 2014. [Http://besthomedecorfurniture.com/gardening-decor/grow-lights-home-depot-few-things-to-consider-when-buying-grow-lighting-plants-online.html](http://besthomedecorfurniture.com/gardening-decor/grow-lights-home-depot-few-things-to-consider-when-buying-grow-lighting-plants-online.html).

LED Grow Light Comparison Test Review, Youtube.com, published Jun. 29, 2012, online. Site visited Jun. 25, 2014. www.youtube.com/watch?v=f-8oy0qbgrs.

Illuminator Pro-Series Hybrid 350W, wordpress.com, published Dec. 22, 2010, online, site visited Jun. 25, 2014. <http://growsetup.wordpress.com/category/grow-lights/>.

California Lightworks New SolarStorm 440W LED Grow Light with UVB, hydrobuilder.com, online. Site visited Jun. 25, 2014. http://hydrobuilder.com/solarstorm-440w-led-grow-light-with-uvb.html?dzid=strands_CLW-SS-440.

2013 Sunlight Supply Cataog, Issuu.com, published Aug. 1, 2013, online. Site visited Feb. 2, 2015. http://issuu.com/sunlightsupply/docs/2013_sunlightproductcatalog/49.

Pages 29 and 54 from 2014-2015 dealer catalog showing and describing Super Sun DE reflector published by Sunlight Supply, Inc. 2014.

Dominator XXXL Non AC Reflector pack of 3 Spec Sheet, GreenTreesHydroponics.com, date available Mar. 12, 2014, online. Site visited Feb. 3, 2015, <https://www.hydroponics.net/i/141477>.

Low Rider Air-Cooled Reflector—TinEye, image post date Oct. 11, 2012, site visited Oct. 1, 2015, www.tineye.com/search/1b0e187c5ed9e4e9cfb55d0472271385a2c0e88/?pluginver.

OG Air Cooled Parabolic Reflector Only—Make the Most of Your Grow Light, GroWell Hydroponics, <http://www.growell.co.uk/og-air-cooled-parabolic-reflector-only.html>, pp. 1-2, accessed Aug. 26, 2014.

Air Resistance: Distinguishing Between Laminar and Turbulent Flow, www.docstoc.com, Dec. 29, 2010, p. 1-6.

Sun Systems LEC 630 Light Emitting Ceramic Fixture, Spec Sheet for 906217—Sun System LEC 630 120 Volt w/3100 K Lamps, www.sunlightsupply.com/shop/bycategory/led-lighting/sun-system-lec-630-light-emitting-ceramic-fixture, online, updated Feb. 9, 2015. Site visited Mar. 30, 2015, p. 1.

Mohri, Mineko, International Preliminary Report on Patentability for PCT/US2014/014959, dated Jan. 19, 2016.

A3V Reflector, Titaness Light Shop, www.titanesslightshop.com/products-page/reflectors/a3v-reflector, online. Site visited Jan. 14, 2015.

G2V Grow Light Reflector, Titaness Light Shop, www.titanesslightshop.com/products-page/reflectors/g2v-grow-light-reflector, online. Site visited Jan. 14, 2015.

1000 Watt Galaxy Grow Amp Double Ended Grow Light Packages, image post date Jan. 30, 2014, site visited Jul. 8, 2016, <<http://www.ehydroponics.com/100-watt-galaxy-grow-amp-double-ended-grow-light-package.html>>.

2009-10-watt-light-set—TinEye, image post date May 23, 2012, site visited Jul. 8, 2016, <<https://www.tineye.com/search/2de39cf51f7a031139a80ce555e2f30d0abd5216/>>.

Square 10 Watt LED Grow Light, image post date Aug. 1, 2011, site visited Jul. 8, 2016, <<http://www.dhgate.com/store/product/hydroponic-vegetable-10-watt-led-grow-light/216755031.html>>.

Sun System 630 Ceramic Metal Halide 120v Specifications, GrowersHouse.com, update on Sep. 9, 2014, Online. Site visited Feb. 3, 2015. <http://growershouse.com/aitdownloadablefiles/download/aitfile/aitfile_id/583/>.

Growlite HDE 600W-1000W Double Ended Lamp Concealed Vacuum Airflow Technology, Indoor Grow Science, site visited Aug. 3, 2016, <<http://www.indoorgrowscience.net/downloads/specs/hde.pdf>>.

Sun Systems LEC 315—Reviews?, rollitup.com forum, published Oct. 23, 2013, online. Visited Nov. 8, 2016. <<http://rollitup.org/t/sun-systems-lec-315-reviews.742794>>.

Sun System LEC 315 120v Light Emitting Ceramic Metal Halide Fixture w/ Free Ratchet Light Hangers, Amazon.com, earliest review of Jul. 2, 2014, online. Visited Nov. 8, 2016 <<https://www.amazon.com/sun-system-emitting-ceramic-fixture/dp/B00HBCV8TM>>.

LEC 315 Watt Grow Light Great Yield Reports!, YouTube.com, published Mar. 31, 2014, online. Visited Nov. 8, 2016. <<https://www.youtube.com/watch?v=QqcoW19KnUk>>.

Air Cooled Grow Lights, greensteamhydroponics.com, published May 24, 2014, online. Site visited Nov. 16, 2016. <http://web.archive.org/web/20140524103407/http://www.greensteamhydroponics.com/aircooled-reflector-range-from-greenstream-hydroponics/prod_699.html>.

greensteamhydroponics.com/aircooled-reflector-range-from-greenstream-hydroponics/prod_699.html>.

* cited by examiner

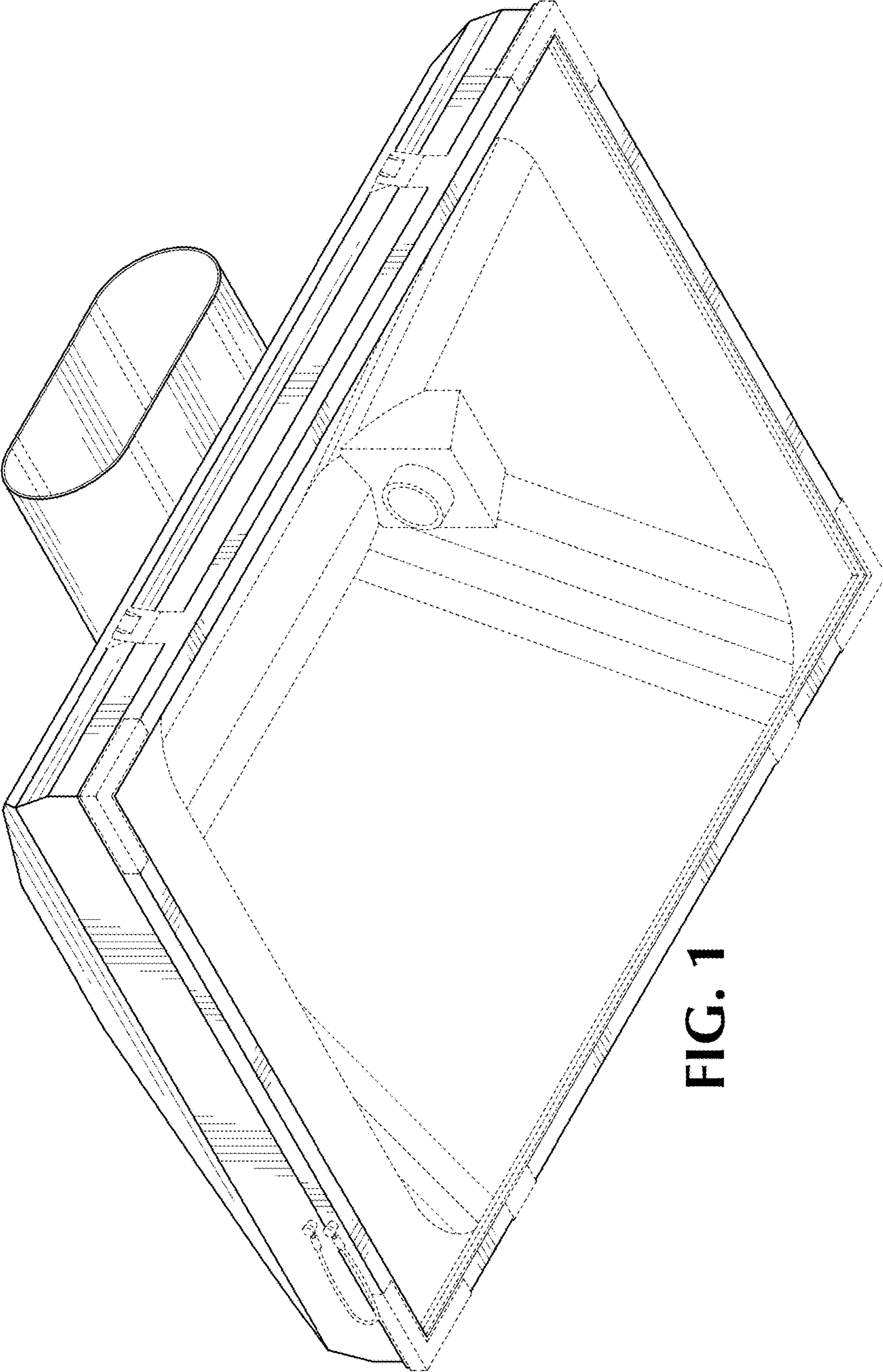


FIG. 1

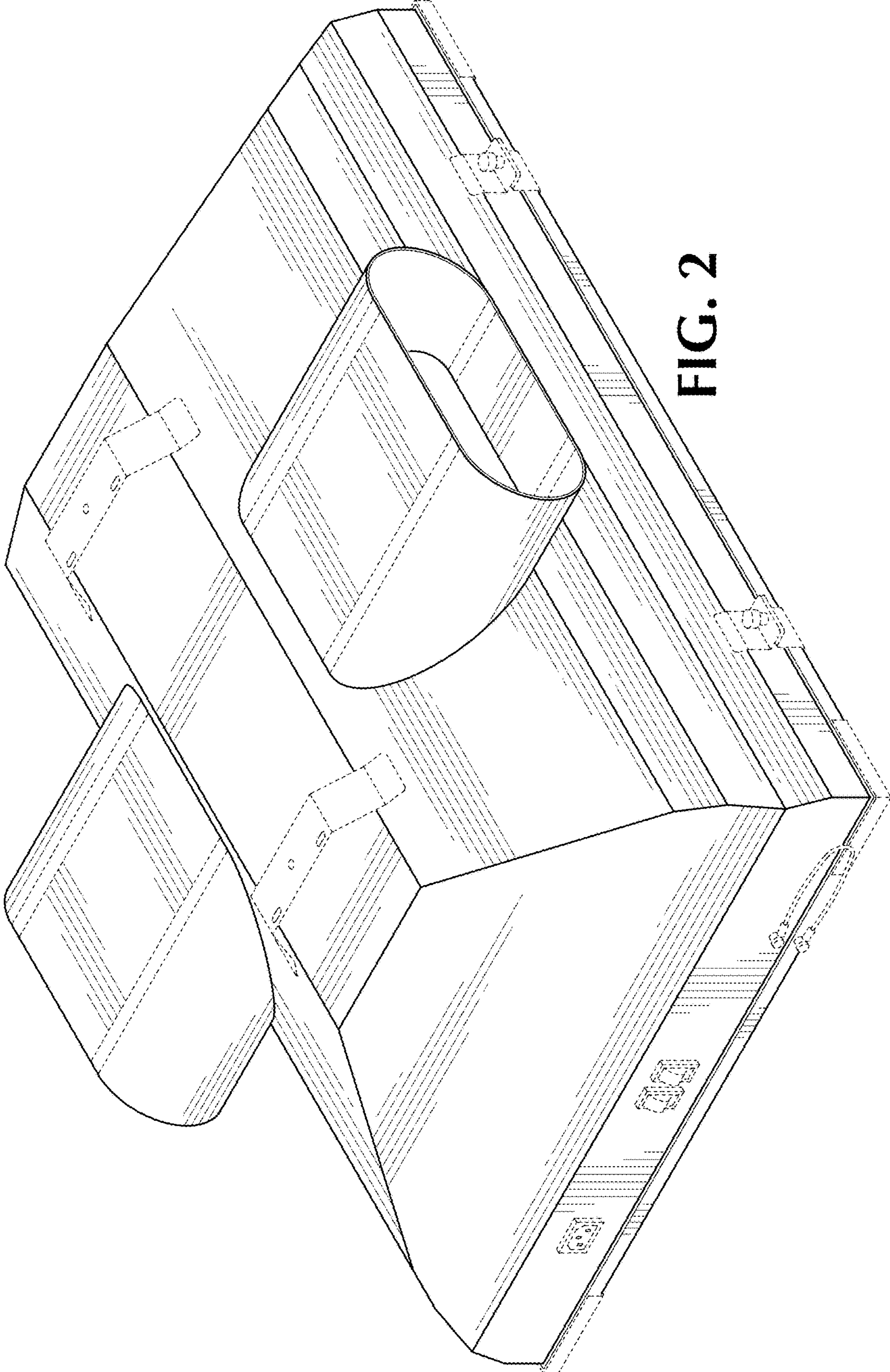


FIG. 2

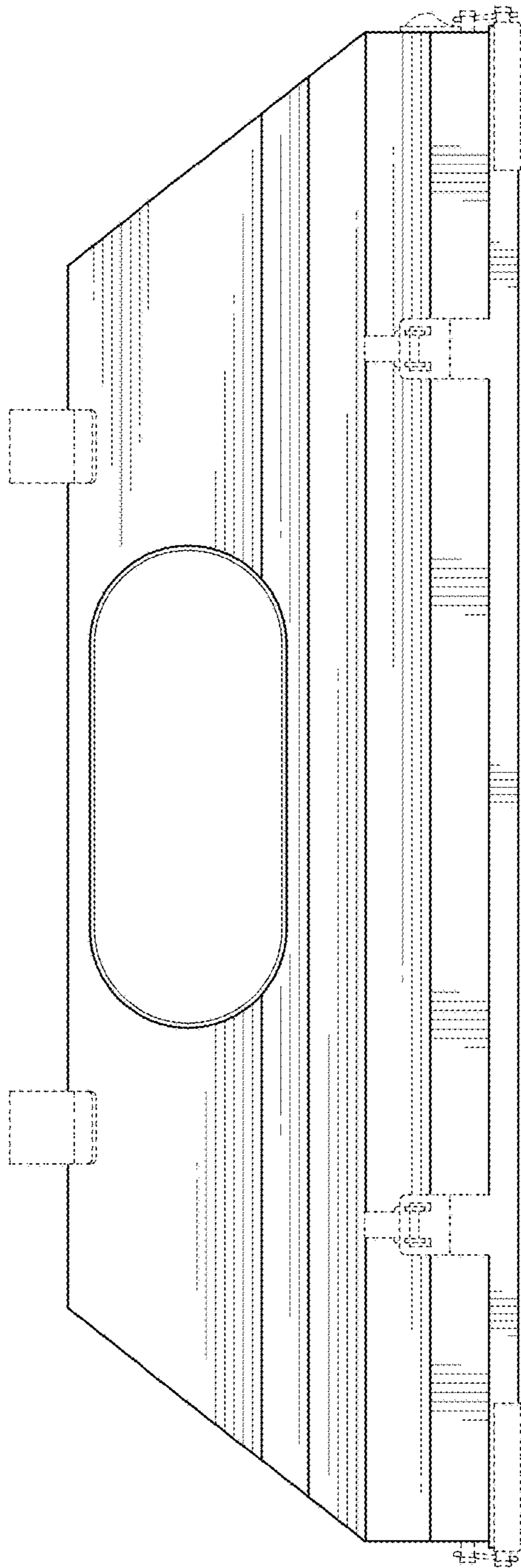


FIG. 3

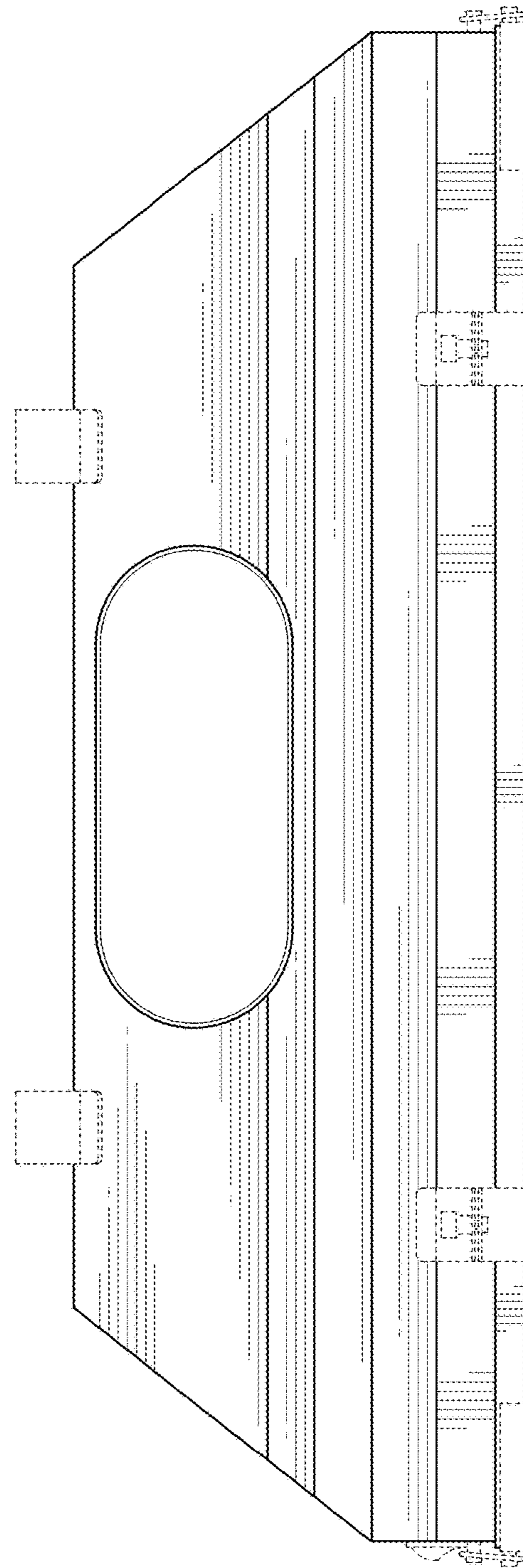


FIG. 4

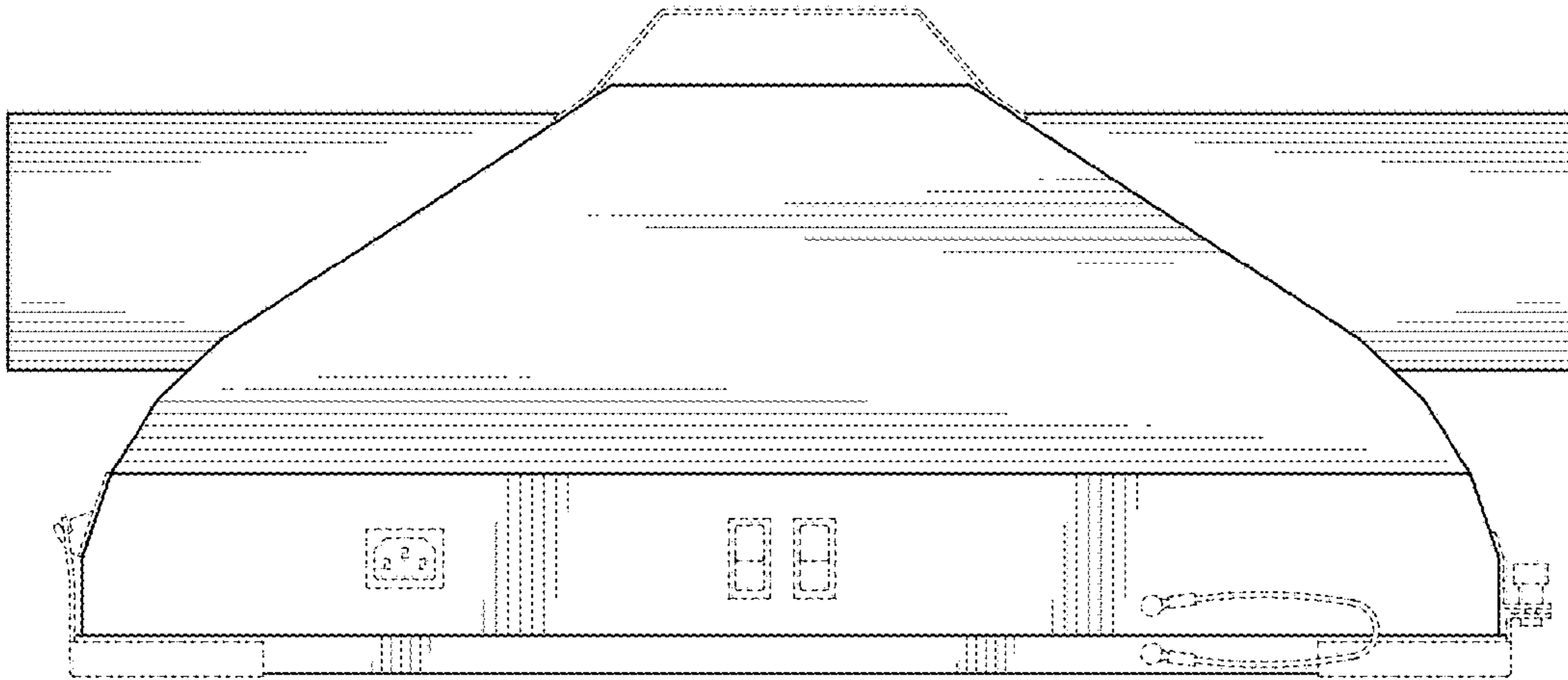


FIG. 5

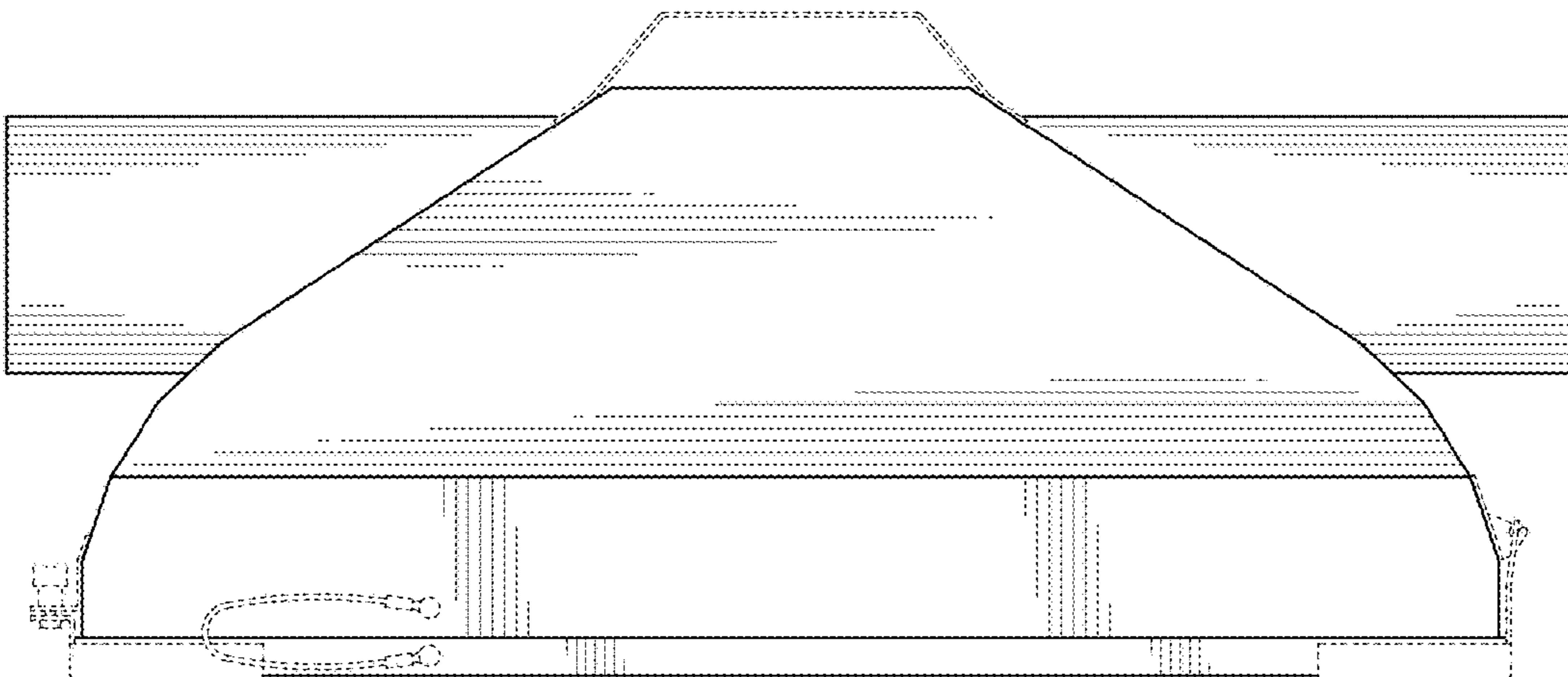


FIG. 6

FIG. 7

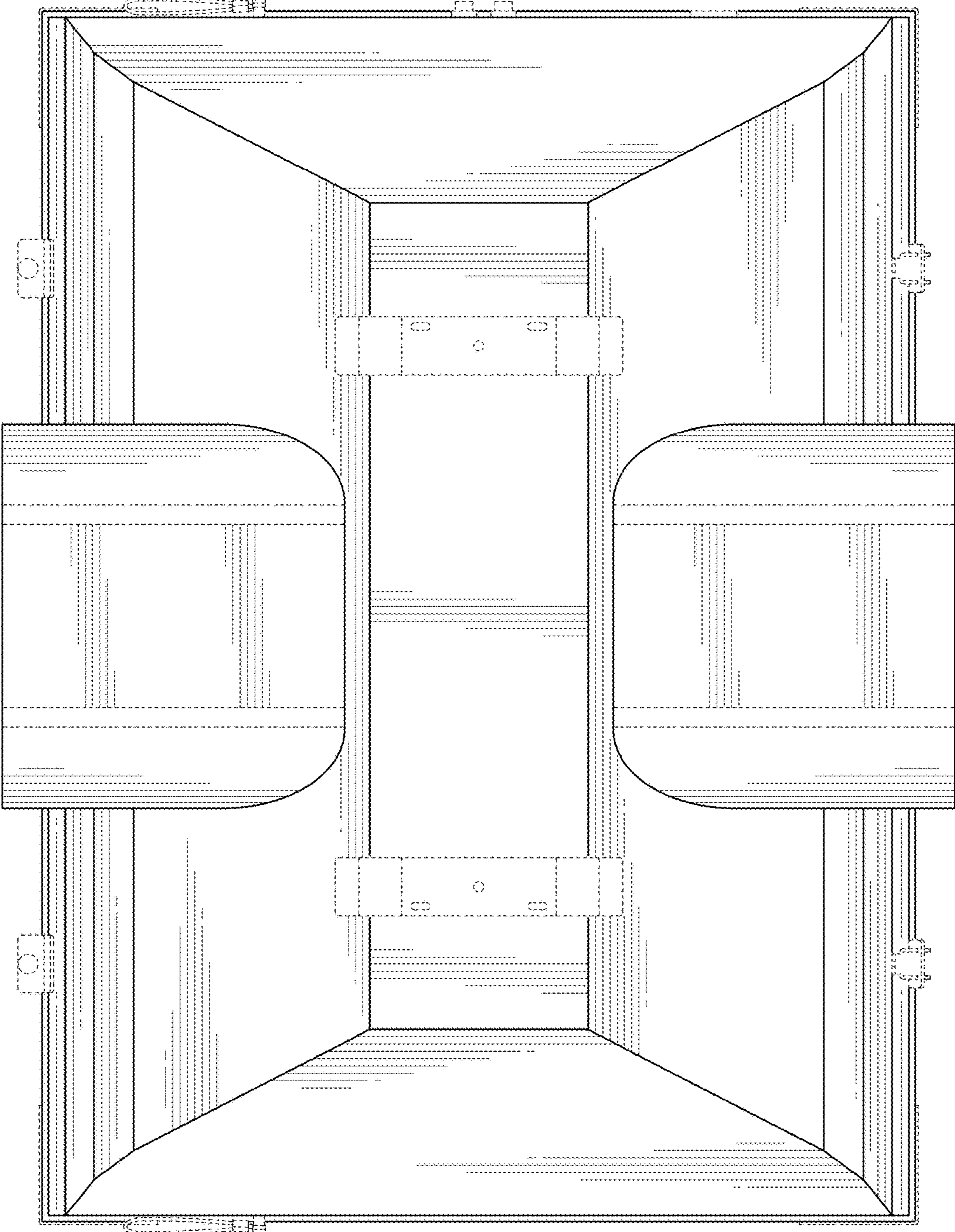


FIG. 8

