



US00D804706S

(12) **United States Design Patent**
Stanley

(10) **Patent No.:** **US D804,706 S**

(45) **Date of Patent:** **** Dec. 5, 2017**

(54) **LIGHT FIXTURE**

(71) Applicant: **IP Holdings, LLC**, Vancouver, WA (US)

(72) Inventor: **John Stanley**, Vancouver, WA (US)

(73) Assignee: **IP Holdings, LLC**, Vancouver, WA (US)

(**) Term: **15 Years**

(21) Appl. No.: **29/591,679**

(22) Filed: **Jan. 23, 2017**

Related U.S. Application Data

(63) Continuation of application No. 29/550,597, filed on Jan. 5, 2016, now Pat. No. Des. 780,985.

(51) **LOC (10) Cl.** **26-05**

(52) **U.S. Cl.**
USPC **D26/118**

(58) **Field of Classification Search**

USPC ... D26/9, 10, 12, 13, 15, 16, 24, 51, 61, 72,
D26/76, 80, 81, 85, 86, 88, 90, 113, 118,
D26/119, 120, 122, 128, 129, 138, 143,
D26/144

CPC B60Q 1/04; B60Q 1/26; F21S 8/026; F21S
8/04; F21V 29/004; F21V 21/02; F21V
21/04; F21V 29/2212; F21V 7/22; F21V
29/83; F21V 37/002; F21V 7/00; F21L

(Continued)

(56) **References Cited**

U.S. PATENT DOCUMENTS

D32,722 S 7/1861 Schmidlin
D46,253 S 8/1914 Kopp

(Continued)

FOREIGN PATENT DOCUMENTS

CA 2034710 8/1991
CA 1314529 3/1993

(Continued)

OTHER PUBLICATIONS

Apollo Horticulture GLRCTAC 6" Air Cool Tube Grow Light Deluxe Glass Cylinder with Hood Reflector, image post date Oct. 15, 2010, site visited Oct. 3, 2014, (online), <http://www.amazon.com/apollo-horticulture-glrcctac-cylinder-reflector/dp/b003qkvv04/ref=pd_sbs_lg_5?ie=utf8&refrid=1y9v9qhh4n5vnctjmfr>.

(Continued)

Primary Examiner — Brian N Vinson

(74) *Attorney, Agent, or Firm* — J. Douglas Wells

(57) **CLAIM**

The ornamental design for a light fixture, as shown and described.

DESCRIPTION

FIG. 1 is a perspective view of a light fixture, as viewed from below, showing my new design;

FIG. 2 is a perspective view of the light fixture shown in FIG. 1, as viewed from above;

FIG. 3 is a left side view of the light fixture shown in FIG. 1;

FIG. 4 is a right side view of the light fixture shown in FIG. 1;

FIG. 5 is a front elevation view of the light fixture shown in FIG. 1;

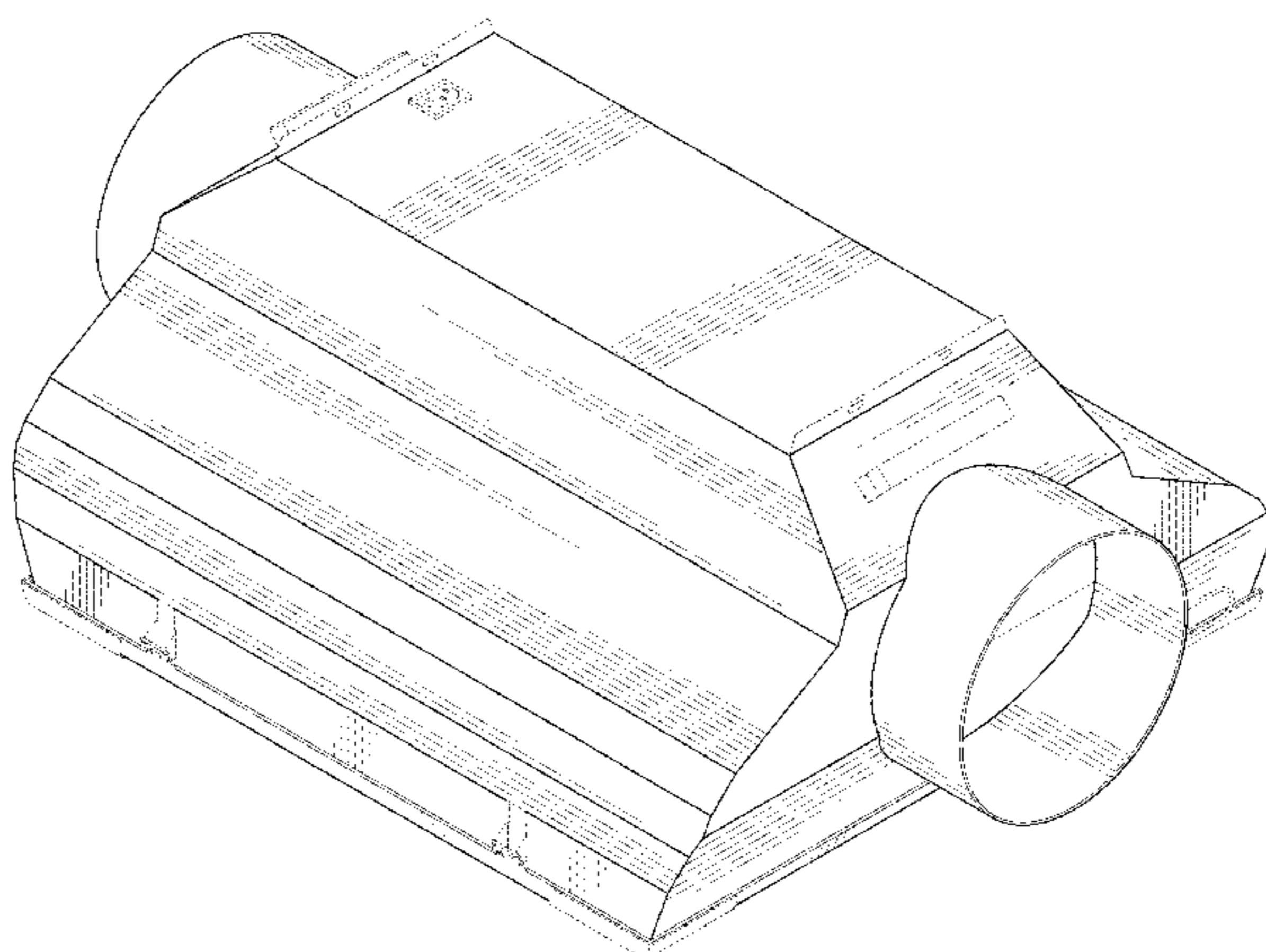
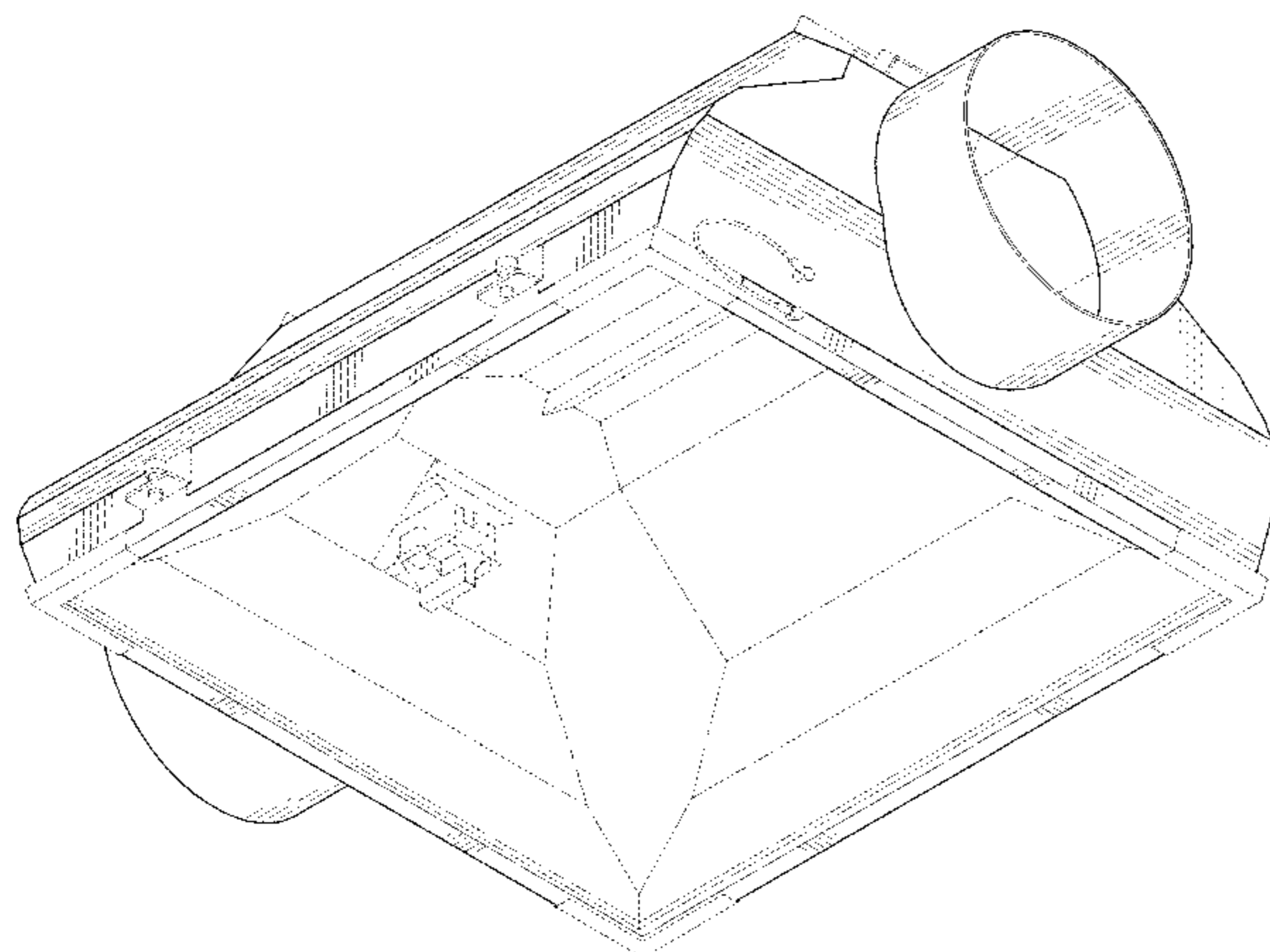
FIG. 6 is a rear elevation view of the light fixture shown in FIG. 1;

FIG. 7 is a top plan view of the light fixture shown in FIG. 1; and,

FIG. 8 is a bottom plan view of the light fixture shown in FIG. 1.

The broken-line disclosure shown in the views is understood to represent portions of the article in which the claimed design is embodied, but which form no part of the claimed design.

1 Claim, 7 Drawing Sheets



US D804,706 S

Page 2

(58) **Field of Classification Search**
 CPC 19/00; F23D 11/443; F21Y 2101/02; A61L
 9/037
 See application file for complete search history.

(56) **References Cited**
 U.S. PATENT DOCUMENTS

1,410,945 A	3/1922	Mayfield	5,065,294 A	11/1991	Poot
1,547,026 A	7/1925	Canney	5,072,349 A	12/1991	Waniga
1,798,567 A	3/1931	Wagenhorst	D323,897 S	2/1992	Compton
D85,049 S	9/1931	Kopp	5,088,015 A	2/1992	Baggio
D85,382 S	10/1931	Guth	D329,104 S	9/1992	Dieperink
1,848,734 A	3/1932	Luce	D330,438 S	10/1992	Herst
1,873,310 A	8/1932	Doane	5,192,129 A	3/1993	Figueroa
1,930,070 A	10/1933	Zecher	5,199,784 A	4/1993	Hempleman
1,987,705 A	1/1935	Pedersen	5,253,152 A	10/1993	Yang
D106,614 S	10/1937	Waterbury	D349,358 S	8/1994	Herst
2,194,841 A	3/1940	Welch	5,353,746 A	10/1994	Del Rosario
D119,800 S	4/1940	Carter	D352,126 S	11/1994	Ruud
D123,768 S	12/1940	Scribner	5,440,470 A	8/1995	Ly
D125,559 S	3/1941	Biller	5,457,450 A	10/1995	Deese
2,242,590 A	5/1941	Marcel	5,461,554 A	10/1995	Leonetti
D128,049 S	7/1941	Kurtz	D365,159 S	12/1995	Tinen
D135,375 S	3/1943	Biller	5,486,737 A	1/1996	Hrubowchak
2,339,100 A	1/1944	Netting	5,510,676 A	4/1996	Cottaar
2,348,617 A	5/1944	Furedy	D373,000 S	8/1996	Brady
D156,014 S	11/1949	Lazerson	5,555,162 A	9/1996	Shemitz
2,492,946 A	1/1950	Barber	D374,301 S	10/1996	Kleffman
D174,221 S	3/1955	Hatch	5,568,680 A	10/1996	Parker
2,740,883 A	4/1956	Kruger	5,570,947 A	11/1996	Felland
2,741,694 A	4/1956	Wiig	D376,437 S	12/1996	Karlo
2,998,511 A	8/1961	Chan	D377,993 S	2/1997	Herst
3,025,391 A	3/1962	Golko	5,621,267 A	4/1997	Shaffner
D193,802 S	10/1962	Thomsen	D383,243 S	9/1997	Fry
D195,012 S	4/1963	Hoyle	5,698,947 A	12/1997	Choi
3,125,301 A	3/1964	Stotter	5,702,179 A	12/1997	Sidwell
3,263,071 A	7/1966	Fabbri	D391,632 S	3/1998	Thomas
3,272,978 A	9/1966	Jackson	D396,319 S	7/1998	Sutton
3,322,946 A	5/1967	Cooper	D397,481 S	8/1998	Schafer
3,420,995 A	1/1969	Dunckel	D399,328 S	10/1998	Compton
D213,391 S	2/1969	Bruno	D399,329 S	10/1998	Compton
3,433,941 A	3/1969	Hall	D399,587 S	10/1998	Compton
3,675,008 A	7/1972	Hill	D400,289 S	10/1998	Wardenburg
3,684,883 A	8/1972	Entwistle	5,816,694 A	10/1998	Ideker
3,701,898 A	10/1972	McNamara, Jr.	D401,006 S	11/1998	Edwards
3,755,667 A	8/1973	Price	D405,976 S	2/1999	Beall
3,829,677 A	8/1974	DeLlano	5,896,004 A	4/1999	Feldman
3,902,059 A	8/1975	McNamara, Jr.	5,924,789 A	7/1999	Thornton
3,911,265 A	10/1975	Landrum	5,932,955 A	8/1999	Berger
4,028,542 A	6/1977	McReynolds, Jr.	5,938,317 A	8/1999	Thornton
D245,016 S	7/1977	Barr	D415,304 S	10/1999	Brown
4,037,096 A	7/1977	Brengord	5,983,564 A	11/1999	Stragnola
4,078,169 A	3/1978	Armstrong	5,987,697 A	11/1999	Song
4,175,360 A	11/1979	Mulvey	5,999,943 A	12/1999	Nori
4,229,782 A	10/1980	Ruud	D418,626 S	1/2000	Herst
D259,738 S	6/1981	Boschetti	D419,248 S	1/2000	Lyons
4,308,573 A	12/1981	McNamara, Jr.	6,024,468 A	2/2000	Kassay
D262,659 S	1/1982	Laltta	6,042,250 A	3/2000	Stragnola
D266,578 S	10/1982	Moshier	6,051,927 A	4/2000	Graser
D268,287 S	3/1983	Boschetti	6,053,624 A	4/2000	Cronk
D270,577 S	9/1983	DeVos	D425,237 S	5/2000	Scott
4,446,506 A	5/1984	Larson	D425,652 S	5/2000	Brok
4,531,180 A	7/1985	Hernandez	D426,010 S	5/2000	Compton
4,616,293 A	10/1986	Baliozian	6,061,690 A	5/2000	Nori
4,669,033 A	5/1987	Lee	6,065,849 A	5/2000	Chen
D290,662 S	7/1987	Basil	6,070,173 A	5/2000	Huber
D300,877 S	4/1989	Cyr	6,076,944 A	6/2000	Maranon
4,855,884 A	8/1989	Richardson	6,079,851 A	6/2000	Altman
4,893,221 A	1/1990	Friedman	D428,516 S	7/2000	Reo
4,933,821 A	6/1990	Anderson	6,094,919 A	8/2000	Bhatia
4,939,629 A	7/1990	Glanton	6,111,739 A	8/2000	Wu
D311,597 S	10/1990	Poot	6,152,579 A	11/2000	Reed
4,970,428 A	11/1990	Hayakawa	D439,008 S	3/2001	Kim
4,980,809 A	12/1990	Baldwin	6,210,025 B1	4/2001	Schmidt
D316,301 S	4/1991	Michael	6,230,497 B1	5/2001	Morris
5,006,752 A	4/1991	Eggink	D443,198 S	6/2001	Snyder
			D443,949 S	6/2001	DiMonte
			6,247,830 B1	6/2001	Winnett
			D445,943 S	7/2001	Littman
			6,257,735 B1	7/2001	Baar
			6,267,483 B1	7/2001	Hembery
			D447,272 S	8/2001	Smith
			6,279,012 B1	8/2001	Sexton
			6,299,327 B1	10/2001	Camarota
			D452,559 S	12/2001	Schonberger
			6,343,984 B1	2/2002	Langdon

(56)

References Cited

U.S. PATENT DOCUMENTS

6,371,630	B1	4/2002	Unger	D621,993	S	8/2010	Jong	
D456,927	S	5/2002	Russello	7,771,086	B2	8/2010	Goverde	
D456,928	S	5/2002	Russello	D628,335	S	11/2010	Hyland	
D456,938	S	5/2002	Wardenburg	7,854,534	B2	12/2010	Liu	
D459,825	S	7/2002	Field	D632,419	S	2/2011	Ng	
6,488,387	B2	12/2002	Wardenburg	D633,247	S	2/2011	Kong	
D469,564	S	1/2003	Brok	D633,640	S	3/2011	Wauters	
6,527,422	B1	3/2003	Hutchison	D634,060	S	3/2011	Wardenburg	D26/118
6,548,948	B1	4/2003	Muessli	D634,240	S	3/2011	Junkeer	
6,595,662	B2	7/2003	Wardenburg	D634,468	S	3/2011	Hargreaves	
6,601,972	B2	8/2003	Sei	D634,469	S	3/2011	Hargreaves	D26/118
6,658,652	B1	12/2003	Alexander	D637,162	S	5/2011	Bridgman	
6,679,619	B2	1/2004	Saieva	D637,341	S	5/2011	Wardenburg	
D486,593	S	2/2004	Griffin	D637,752	S	5/2011	Mekhtarian	
6,688,759	B1	2/2004	Hadjimichael	D640,404	S	6/2011	Chipperfield	
6,709,131	B1	3/2004	Herst	7,959,331	B2	6/2011	Ho	
6,729,383	B1	5/2004	Cannell	D641,100	S	7/2011	Li	
6,783,263	B1	8/2004	Cronk	7,972,044	B2	7/2011	Burkhauser	
D496,121	S	9/2004	Santoro	D644,185	S	8/2011	Hargreaves	
D499,504	S	12/2004	Meyer	7,987,632	B2	8/2011	May	
D499,505	S	12/2004	Benensohn	8,018,630	B2	9/2011	Herloski	
D504,343	S	4/2005	Ek	8,038,318	B2	10/2011	Plunk	
6,885,134	B2	4/2005	Kurashima	D648,652	S	11/2011	Hawkins	
6,908,212	B2	6/2005	Schultz	D649,685	S	11/2011	Trzesniowski	
7,011,424	B1	3/2006	Poulson	D650,515	S	12/2011	Bradley	
7,083,309	B2	8/2006	Chan	D650,935	S	12/2011	Beghelli	
7,101,060	B2	9/2006	Oppenheimer	8,113,696	B2	2/2012	Striebel	
7,131,753	B1	11/2006	Edwards, Jr.	D655,403	S	3/2012	Zakula	
7,156,539	B2	1/2007	Cronk	D657,748	S	4/2012	Hargreaves	
7,175,309	B2	2/2007	Craw	D660,252	S	5/2012	Hargreaves	
D542,460	S	5/2007	Hargreaves	D661,833	S	6/2012	Imajo	
D543,652	S	5/2007	Hargreaves	8,209,912	B2	7/2012	Hargreaves	
D543,654	S	5/2007	Hargreaves	8,215,799	B2	7/2012	Vanden Eynden	
D543,655	S	5/2007	Hargreaves	D667,584	S	9/2012	Beghelli	
7,213,948	B2	5/2007	Hein	D668,370	S	10/2012	Guercio	
D544,136	S	6/2007	Hargreaves	D671,259	S	11/2012	Chen	
D544,138	S	6/2007	Hargreaves	D672,908	S	12/2012	Wilcox	
D544,139	S	6/2007	Hargreaves	D672,911	S	12/2012	Mayfield, III	
D544,626	S	6/2007	Hargreaves	D673,324	S	12/2012	Mayfield	
D544,980	S	6/2007	Hargreaves	8,334,640	B2	12/2012	Reed	
D544,981	S	6/2007	Hargreaves	D675,369	S	1/2013	Michaud	
D544,982	S	6/2007	Hargreaves	8,348,481	B2	1/2013	Chang	
D544,983	S	6/2007	Hargreaves	D675,772	S	2/2013	Tran	
D544,984	S	6/2007	Hargreaves	8,371,726	B2	2/2013	Collins	
D544,985	S	6/2007	Hargreaves	D678,597	S	3/2013	Lehman	
D544,987	S	6/2007	Hargreaves	D678,599	S	3/2013	Boyer	
D544,994	S	6/2007	Hargreaves	D679,848	S	4/2013	Pickard	
D544,995	S	6/2007	Hargreaves	D683,064	S	5/2013	Tuck	
D545,460	S	6/2007	Mason, II	8,505,224	B2	8/2013	Huang	
D545,484	S	6/2007	Hargreaves	D689,238	S	9/2013	Halsey	
D545,485	S	6/2007	Hargreaves	D690,875	S	10/2013	McKenzie	
D545,990	S	7/2007	Hargreaves	D693,959	S	11/2013	Boyer	
D545,994	S	7/2007	Hargreaves	D697,663	S	1/2014	Speier	
D545,996	S	7/2007	Hargreaves	D698,074	S	1/2014	Hargreaves	
D549,869	S	8/2007	Ward	D698,075	S	1/2014	Klus	
7,296,914	B1	11/2007	Russello	D698,986	S	2/2014	Reynolds	D26/118
7,360,927	B2	4/2008	Oka	D698,987	S	2/2014	Stanley	
D569,024	S	5/2008	Redfern	D699,386	S	2/2014	Park	
D572,858	S	7/2008	Santoro	D702,827	S	4/2014	Mase	
7,445,363	B2	11/2008	Vanden Eynden	8,702,283	B2	4/2014	Bradley, Jr.	
7,524,090	B2	4/2009	Hargreaves	D705,474	S	5/2014	Philips	
7,534,011	B2	5/2009	Townsley	D705,974	S	5/2014	Blessitt	
D595,894	S	7/2009	Verfuert	8,723,086	B2	5/2014	McMahan	
D602,625	S	10/2009	Santoro	D707,385	S	6/2014	Wardenburg	
D603,087	S	10/2009	Mo	D708,390	S	7/2014	Roos	
7,617,057	B2	11/2009	May	D710,528	S	8/2014	Wardenburg	
D605,342	S	12/2009	Chung	8,801,235	B2	8/2014	Yurich	
D608,490	S	1/2010	Chung	D713,953	S	9/2014	Jepson	
7,641,367	B2	1/2010	Hargreaves	D714,988	S	10/2014	Park	
7,654,702	B1	2/2010	Ding	D715,994	S	10/2014	Klus	
D613,900	S	4/2010	Hargreaves	D716,995	S	11/2014	Zhu	
D614,801	S	4/2010	Collins	D717,487	S	11/2014	Guzzini	
7,722,228	B2	5/2010	Broer	D717,636	S	11/2014	Stanley	
D617,028	S	6/2010	Verfuert	D720,488	S	12/2014	Toyohisa	
D620,190	S	7/2010	Chung	D720,505	S	12/2014	Kersten	
				8,905,575	B2	12/2014	Durkee	
				D720,876	S	1/2015	Haverfield	
				D721,844	S	1/2015	Lay	
				D722,654	S	2/2015	Martone	

(56)

References Cited

U.S. PATENT DOCUMENTS

D725,819 S 3/2015 Reynolds
 D725,820 S 3/2015 Hargreaves
 8,967,821 B2 3/2015 Pickard
 D726,359 S 4/2015 Grigore
 8,998,473 B1 4/2015 Anderson
 9,016,892 B1 4/2015 Scribante
 9,016,907 B2 4/2015 Stanley
 D728,848 S 5/2015 Reyes
 D729,435 S 5/2015 Arndt
 D730,556 S 5/2015 Toyohisa
 D731,103 S 6/2015 Wilke
 D731,109 S 6/2015 Wardenburg
 D731,701 S 6/2015 Hargreaves
 D732,233 S 6/2015 Reynolds
 D732,234 S 6/2015 Rashidi Doust
 D732,235 S 6/2015 Reynolds
 D732,236 S 6/2015 Reynolds
 D733,347 S 6/2015 Dungan
 D733,952 S 7/2015 Lay
 D733,960 S 7/2015 Howe
 D734,534 S 7/2015 Howe
 D735,391 S 7/2015 Blessitt
 D735,401 S 7/2015 Clements
 D736,450 S * 8/2015 Reynolds D26/118
 D737,498 S 8/2015 Stanley
 9,110,209 B2 8/2015 Blessitt
 D738,031 S 9/2015 Martins
 D739,595 S 9/2015 Reynolds
 9,127,826 B2 9/2015 Boyer
 D740,486 S 10/2015 Stanley
 D740,996 S 10/2015 Tragatschnig
 D745,993 S 12/2015 Reynolds
 D747,029 S * 1/2016 Reynolds D26/118
 D747,538 S 1/2016 Hargreaves
 D747,825 S 1/2016 Reynolds
 D747,923 S 1/2016 Cornu
 D748,319 S 1/2016 Johnson
 D748,320 S 1/2016 Johnson
 D748,847 S 2/2016 Johnson
 D748,849 S * 2/2016 Stanley D26/118
 D748,850 S 2/2016 Johnson
 D749,773 S 2/2016 Waible
 D750,312 S 2/2016 Reynolds
 D750,313 S 2/2016 Reynolds
 D750,316 S 2/2016 Reynolds
 9,255,690 B2 2/2016 Dimitriadis
 D750,831 S 3/2016 Clements
 D751,244 S 3/2016 Reynolds
 D751,245 S * 3/2016 Stanley D26/118
 D751,247 S 3/2016 Reynolds
 D753,654 S 4/2016 Eastwood
 9,310,037 B2 4/2016 Cercone
 D756,016 S 5/2016 Hargreaves
 D756,023 S 5/2016 Hoffer
 D756,026 S 5/2016 Reynolds
 D757,323 S 5/2016 Reynolds
 D757,326 S 5/2016 Reynolds
 D757,346 S * 5/2016 Stanley D26/118
 9,335,038 B2 5/2016 Stanley
 9,366,947 B2 6/2016 Miyata
 D762,320 S 7/2016 Reynolds
 D765,306 S * 8/2016 Wardenburg D26/118
 D766,756 S 9/2016 Franc
 D769,513 S 10/2016 Reynolds
 D769,514 S 10/2016 Reynolds
 D770,079 S 10/2016 Stanley
 D770,082 S 10/2016 Reynolds
 D770,670 S 11/2016 Reynolds
 D770,671 S 11/2016 Reynolds
 D771,301 S 11/2016 Stanley
 D771,304 S 11/2016 Goltche
 D773,107 S 11/2016 Stanley
 D775,406 S 12/2016 Hargreaves
 D775,760 S 1/2017 Reynolds
 D780,985 S 3/2017 Stanley

D780,986 S 3/2017 Reynolds
 D781,492 S 3/2017 Reynolds
 D783,887 S 4/2017 Stanley
 D786,488 S 5/2017 Reynolds
 D786,489 S 5/2017 Stanley
 D786,490 S 5/2017 Stanley
 2002/0073285 A1 6/2002 Butterworth
 2002/0141195 A1 10/2002 Peter
 2003/0031011 A1 2/2003 Miller
 2003/0191783 A1 10/2003 Wolczko
 2004/0240214 A1 12/2004 Whitlow
 2005/0117333 A1 6/2005 Yoshida
 2005/0160481 A1 7/2005 Todd
 2005/0233691 A1 10/2005 Horton
 2006/0231081 A1 10/2006 Kirakosyan
 2006/0232984 A1 10/2006 Schuknecht
 2006/0282457 A1 12/2006 Williams
 2007/0051321 A1 3/2007 Chang
 2007/0070633 A1 3/2007 Eynden
 2007/0228993 A1 10/2007 Stuer
 2007/0246631 A1 10/2007 Brown
 2007/0282806 A1 12/2007 Hoffman
 2008/0059799 A1 3/2008 Scarlata
 2008/0117617 A1 5/2008 Hargreaves
 2008/0130304 A1 6/2008 Rash
 2008/0205030 A1 8/2008 Hargreaves
 2008/0205071 A1 8/2008 Townsley
 2008/0212326 A1 9/2008 Chon
 2008/0278950 A1 11/2008 Pickard
 2008/0278957 A1 11/2008 Pickard
 2009/0116250 A1 5/2009 Hargreaves
 2009/0231840 A1 9/2009 Boehme
 2009/0262540 A1 10/2009 Hargreaves
 2009/0276478 A1 11/2009 Soman
 2009/0310373 A1 12/2009 Burkhauser
 2009/0316404 A1 12/2009 Mo
 2009/0323335 A1 12/2009 Yang
 2010/0214789 A1 8/2010 Hawkes
 2010/0238661 A1 9/2010 Pfund
 2010/0277908 A1 11/2010 Hu
 2010/0277929 A1 11/2010 Hargreaves
 2010/0295468 A1 11/2010 Pedersen
 2010/0302768 A1 12/2010 Collins
 2011/0169412 A1 7/2011 Yurich
 2011/0203096 A1 8/2011 Hargreaves
 2011/0259665 A1 10/2011 Morgan
 2012/0051041 A1 3/2012 Edmond
 2012/0092859 A1 4/2012 Gregoris
 2012/0145699 A1 6/2012 McMahan
 2012/0212883 A1 8/2012 Hargreaves
 2012/0230035 A1 9/2012 Bradley, Jr.
 2013/0077329 A1 3/2013 Hessling
 2013/0083539 A1 4/2013 Dimitriadis
 2013/0155685 A1 6/2013 Stanley
 2013/0242573 A1 9/2013 Petrsoki
 2013/0250567 A1 9/2013 Edmond
 2014/0378283 A1 12/2014 Qiu
 2015/0023022 A1 1/2015 Stanley
 2015/0098215 A1 4/2015 Torabifard
 2015/0252992 A1 9/2015 Stanley
 2015/0252993 A1 9/2015 Stanley
 2015/0252994 A1 9/2015 Stanley
 2015/0260381 A1 9/2015 Verfuert

FOREIGN PATENT DOCUMENTS

EP 0325003 7/1989
 EP 0440274 8/1991
 WO 02063210 8/2002
 WO 03060379 7/2003
 WO 2008018000 2/2008
 WO 2009096775 8/2009
 WO 2011119451 9/2011

OTHER PUBLICATIONS

Apollo Horticulture GLRLS24 6" Air Cooled Hydroponic Grow Light Glass Reflector Hood, image post date Oct. 15, 2010, site

(56)

References Cited

OTHER PUBLICATIONS

visted Oct. 3, 2014, (online), <http://www.amazon.com/apollo-horticulture-GLRLS24-hydroponic-reflector/dp/B00BMVK8HG/ref=cm_cd_ql_qh_dp_i>.

Adjustable Reflector, image post date Apr. 23, 2012, site visited Sep. 23, 2015, http://web.archive.org/web/2012043260757/http://hydroponics-products.en.alibaba.com/product/519225678-213056444/adjustable_reflector_grow_light_hydroponics_greenhouse_horticulture_reflector_hood.html.

Agrotech Magnum Reflector, image post date Feb. 5, 2012, site visited Oct. 31, 2014, www.hydroponics.net/i/136580.

Cree CR22, image post date Apr. 28, 2011, site visited Nov. 15, 2014, <http://ledsmagazine.com/content/dam/leds/migrated/objects/news/8/4/19/cree204272011.jpg>.

ZR series High Efficacy Troffer, image post date Apr. 13, 2012, site visited Oct. 31, 2014, www.cree.com/lighting/products.

Grow Lights Home Depot: Find many types of grow lights for your plant, published Dec. 22, 2012, online. Site visited Jun. 25, 2014. [Http://besthomedecorfurniture.com/gardening-d%C3%A9cor/grow-lights-home-depot-few-things-to-consider-when-buying-grow-lighting-plants-online.html](http://besthomedecorfurniture.com/gardening-d%C3%A9cor/grow-lights-home-depot-few-things-to-consider-when-buying-grow-lighting-plants-online.html).

LED Grow Light Comparison Test Review, Youtube.com, published Jun. 29, 2012, online. Site visited Jun. 25, 2014. www.youtube.com/watch?v=f-8oy0qbgrs.

Illuminator Pro-Series Hybrid 350W, wordpress.com, published Dec. 22, 2010, online, site visited Jun. 25, 2014. <http://growsetup.wordpress.com/category/grow-lights/>.

California Lightworks New SolarStorm 440W LED Grow Light with UVB, hydrobuilder.com, online. Site visited Jun. 25, 2014. http://hydrobuilder.com/solarstorm-440w-led-grow-light-with-uvb.html?dzid=strands_CLW-SS-440.

2013 Sunlight Supply Cataog, Issuu.com, published Aug. 1, 2013, online. Site visited Feb. 2, 2015. http://issuu.com/sunlightsupply/docs/2013_sunlightproductcatalog/49.

Pages 29 and 54 from 2014-2015 dealer catalog showing and describing Super Sun DE reflector published by Sunlight Supply, Inc. 2014.

Dominator XXXL Non AC Reflector pack of 3 Spec Sheet, GreenTreesHydroponics.com, date available Mar. 12, 2014, online. Site visited Feb. 3, 2015, <https://www.hydroponics.net/i/141477>.

Low Rider Air-Cooled Reflector—TinEye, image post date Oct. 11, 2012, site visited Oct. 1, 2015, www.tineye.com/search/1b0e187c5ed9e4e9cfb55d0472271385a2c0e88/?pluginver.

OG Air Cooled Parabolic Reflector Only—Make the Most of Your Grow Light, GroWell Hydroponics, <http://www.growell.co.uk/og-air-cooled-parabolic-reflector-only.html>, pp. 1-2, accessed Aug. 26, 2014.

Air Resistance: Distinguishing Between Laminar and Turbulent Flow, www.docstoc.com, Dec. 29, 2010, p. 1-6.

Sun Systems LEC 630 Light Emitting Ceramic Fixture, Spec Sheet for 906217—Sun System LEC 630 120 Volt w/3100 K Lamps, www.sunlightsupply.com/shop/bycategory/led-lighting/sun-system-lec-630-light-emitting-ceramic-fixture, online, updated Feb. 9, 2015. Site visited Mar. 30, 2015, p. 1.

Mohri, Mineko, International Preliminary Report on Patentability for PCT/US2014/014959, dated Jan. 19, 2016.

A3V Reflector, Titaness Light Shop, www.titanesslightshop.com/products-page/reflectors/a3v-reflector, online. Site visited Jan. 14, 2015.

G2V Grow Light Reflector, Titaness Light Shop, www.titanesslightshop.com/products-page/reflectors/g2v-grow-light-reflector, online. Site visited Jan. 14, 2015.

1000 Watt Galaxy Grow Amp Double Ended Grow Light Packages, image post date Jan. 30, 2014, site visited Jul. 8, 2016, <<http://www.ehydroponics.com/100-watt-galaxy-grow-amp-double-ended-grow-light-package.html>>.

2009-10-watt-light-set—TinEye, image post date May 23, 2012, site visited Jul. 8, 2016, <<https://www.tineye.com/search/2de39cf51f7a031139a80ce555e2f30d0abd5216/>>.

Square 10 Watt LED Grow Light, image post date Aug. 1, 2011, site visited Aug. 8, 2016, <<http://www.dhgate.com/store/product/hydroponic-vegetable-10-watt-led-grow-light/216755031.html>>.

Sun System 630 Ceramic Metal Halide 120v Specifications, GrowersHouse.com, update on Sep. 9, 2014, Online. Site visited Feb. 3, 2015. <http://growershouse.com/aitdownloadablefiles/download/aitfile/aitfile_id/583/>.

Growlite HDE 600W-1000W Double Ended Lamp Concealed Vacuum Airflow Technology, Indoor Grow Science, site visited Aug. 3, 2016, <<http://www.indoorgrowscience.net/downloads/specs/hde.pdf>>.

Sun Systems LEC 315—Reviews?, rollitup.com forum, published Oct. 23, 2013, online. Visited Nov. 8, 2016. <<http://rollitup.org/t/sun-sytems-lec-315-reviews.742794>>.

Sun System LEC 315 120v Light Emitting Ceramic Metal Halide Fixture w/ Free Ratchet Light Hangers, Amazon.com, earliest review of Jul. 2, 2014, online. Visited Nov. 8, 2016 <<https://www.amazon.com/sun-system-emitting-ceramic-fixture/dp/B00HBCV8TM>>.

LEC 315 Watt Grow Light Great Yield Reports!, YouTube.com, published Mar. 31, 2014, online. Visited Nov. 8, 2016. <<https://www.youtube.com/watch?v=QqcoW19KnUk>>.

Air Cooled Grow Lights, greensteamhydroponics.com, published May 24, 2014, online. Site visited Nov. 16, 2016. <http://web.archive.org/web/20140524103407/http://www.greenstreamhydroponics.com/aircooled-reflector-range-from-greenstream-hydroponics/prod_699.html>.

* cited by examiner

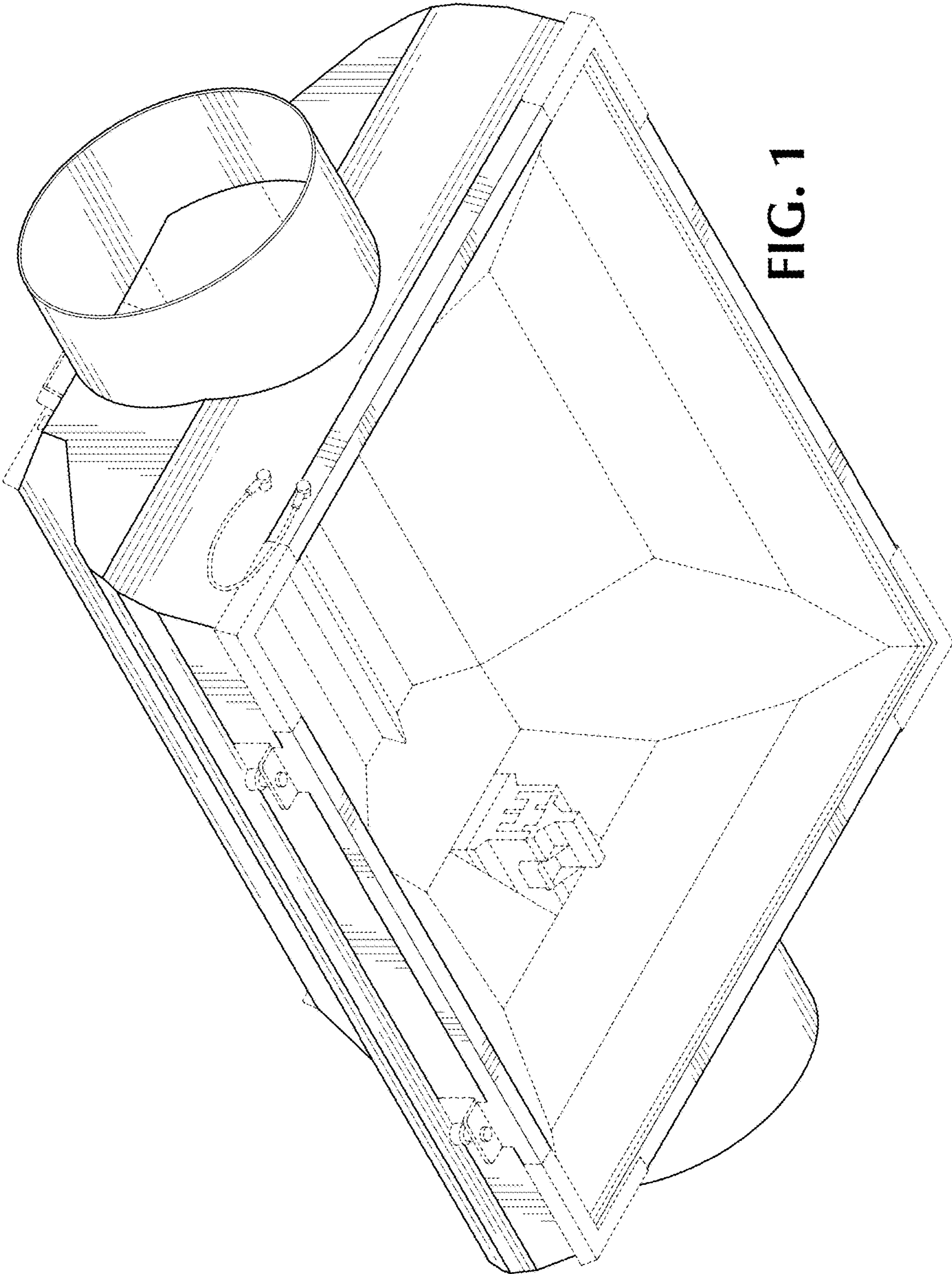
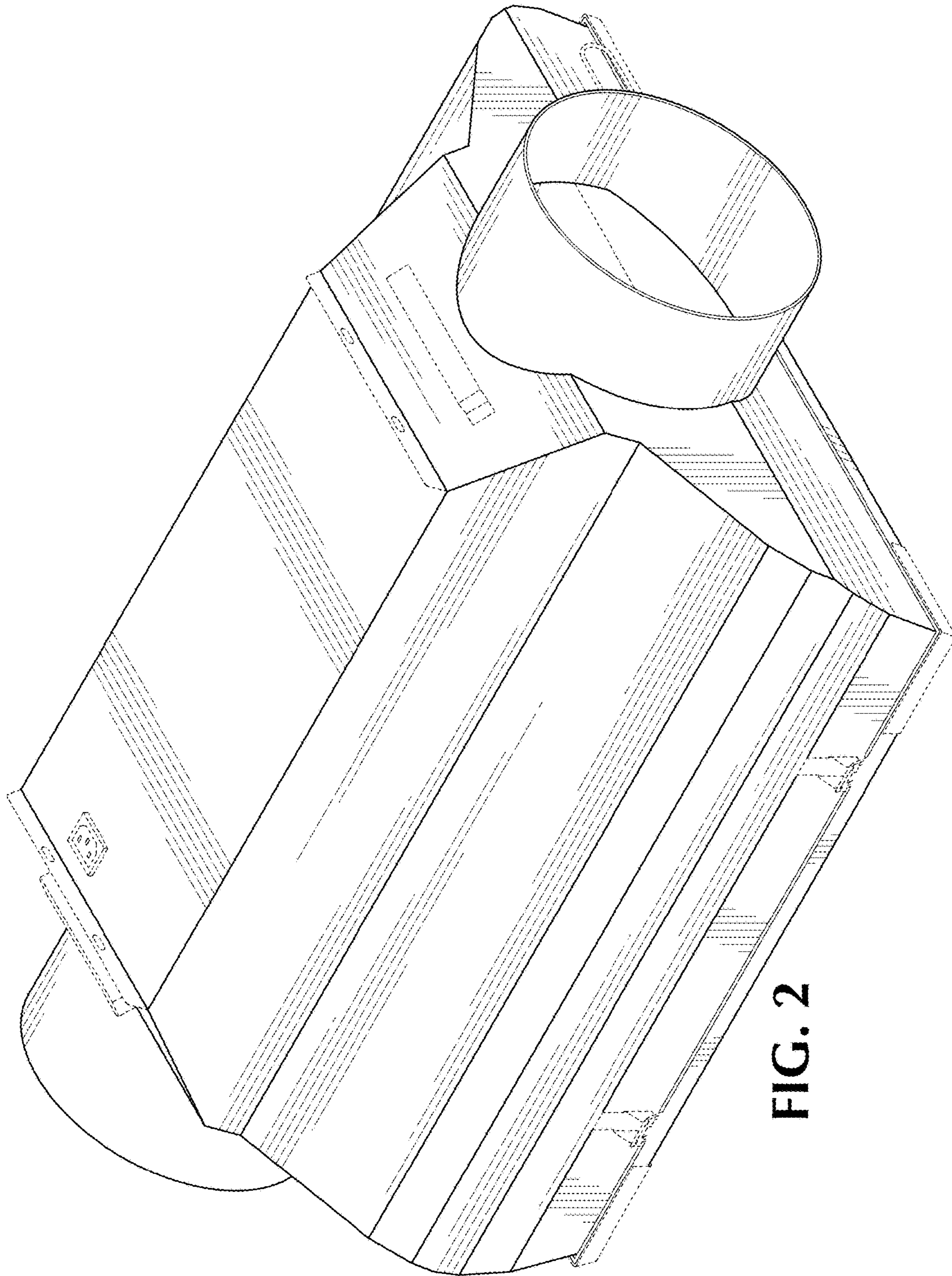


FIG. 1



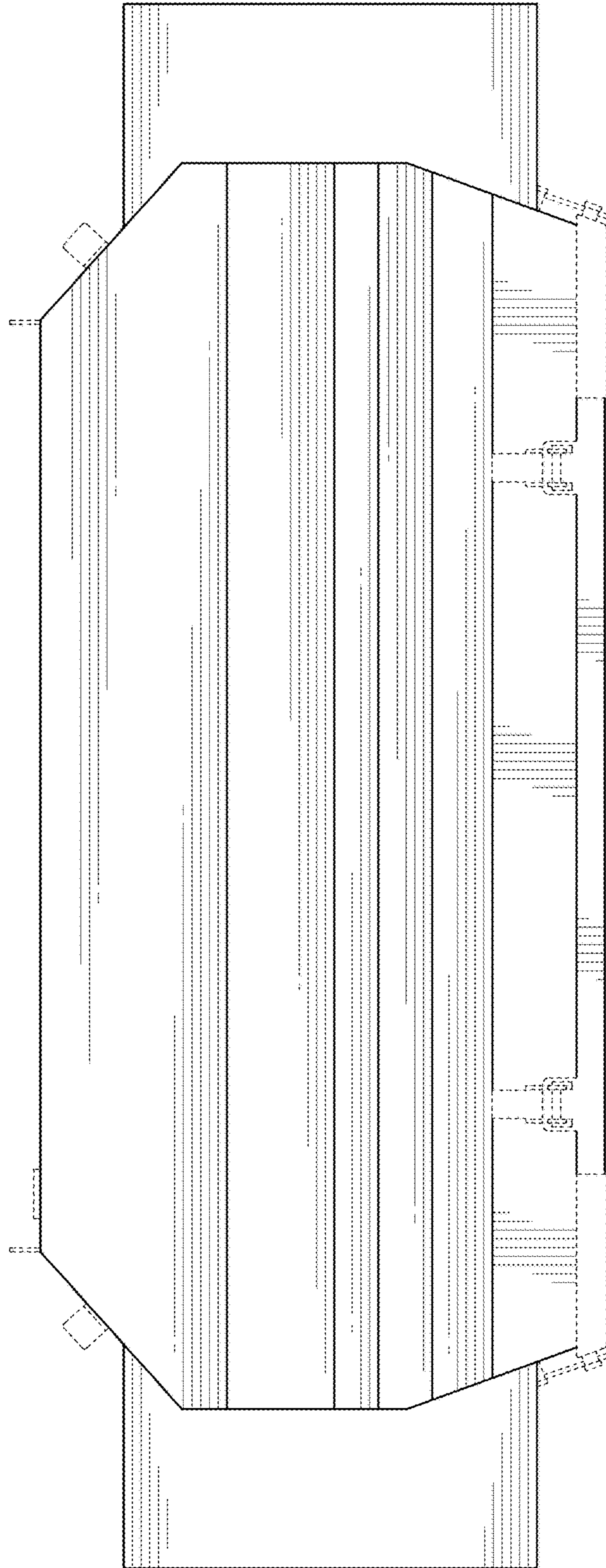


FIG. 3

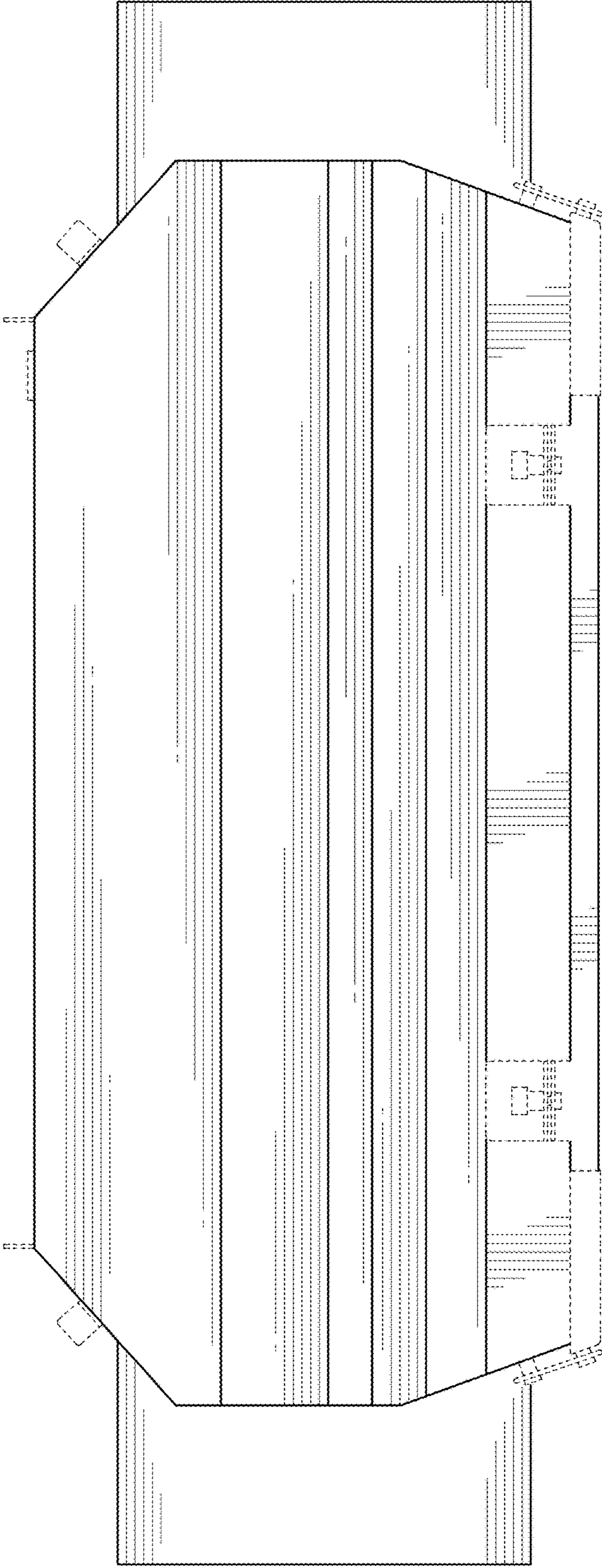


FIG. 4

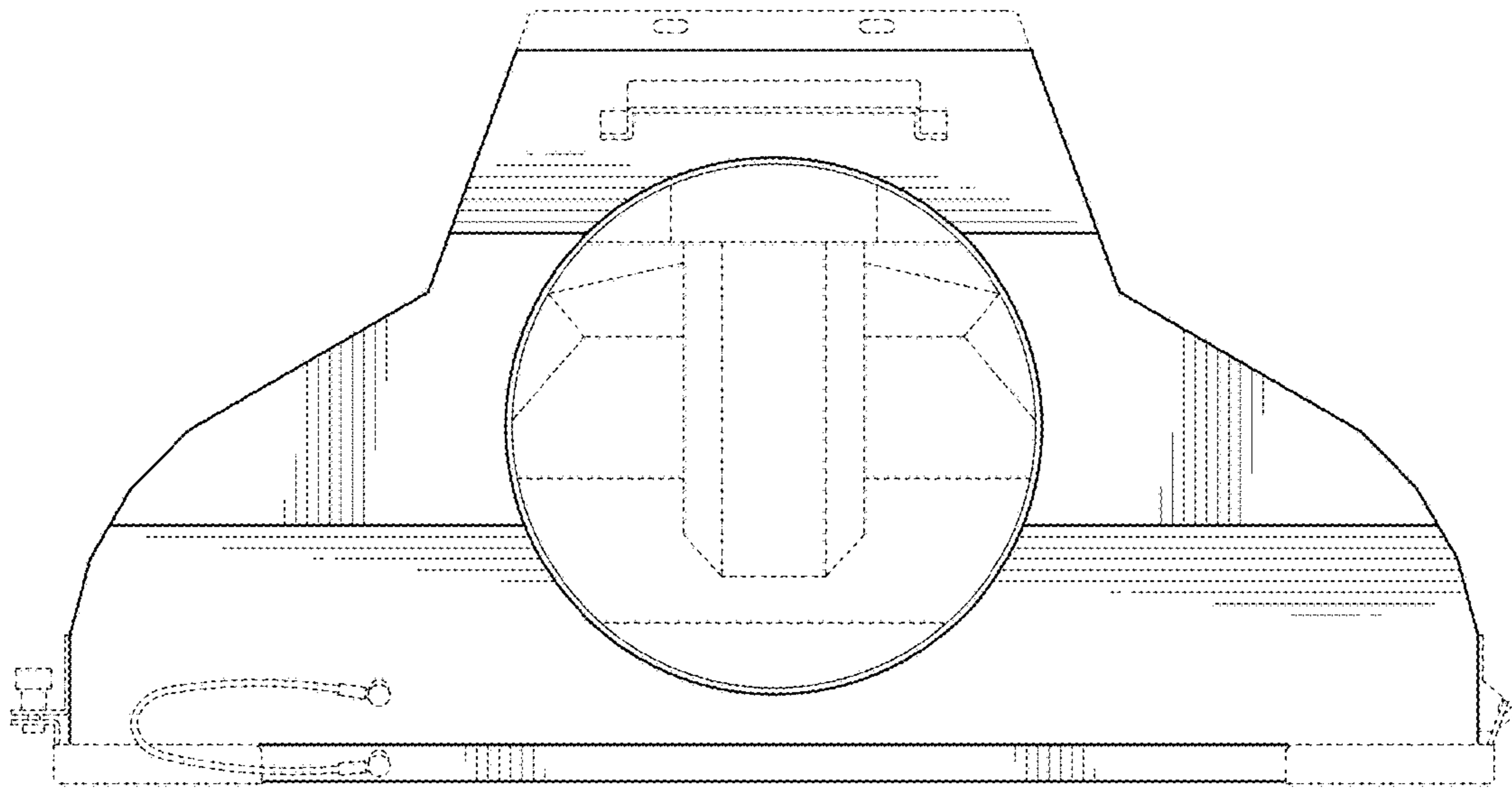


FIG. 5

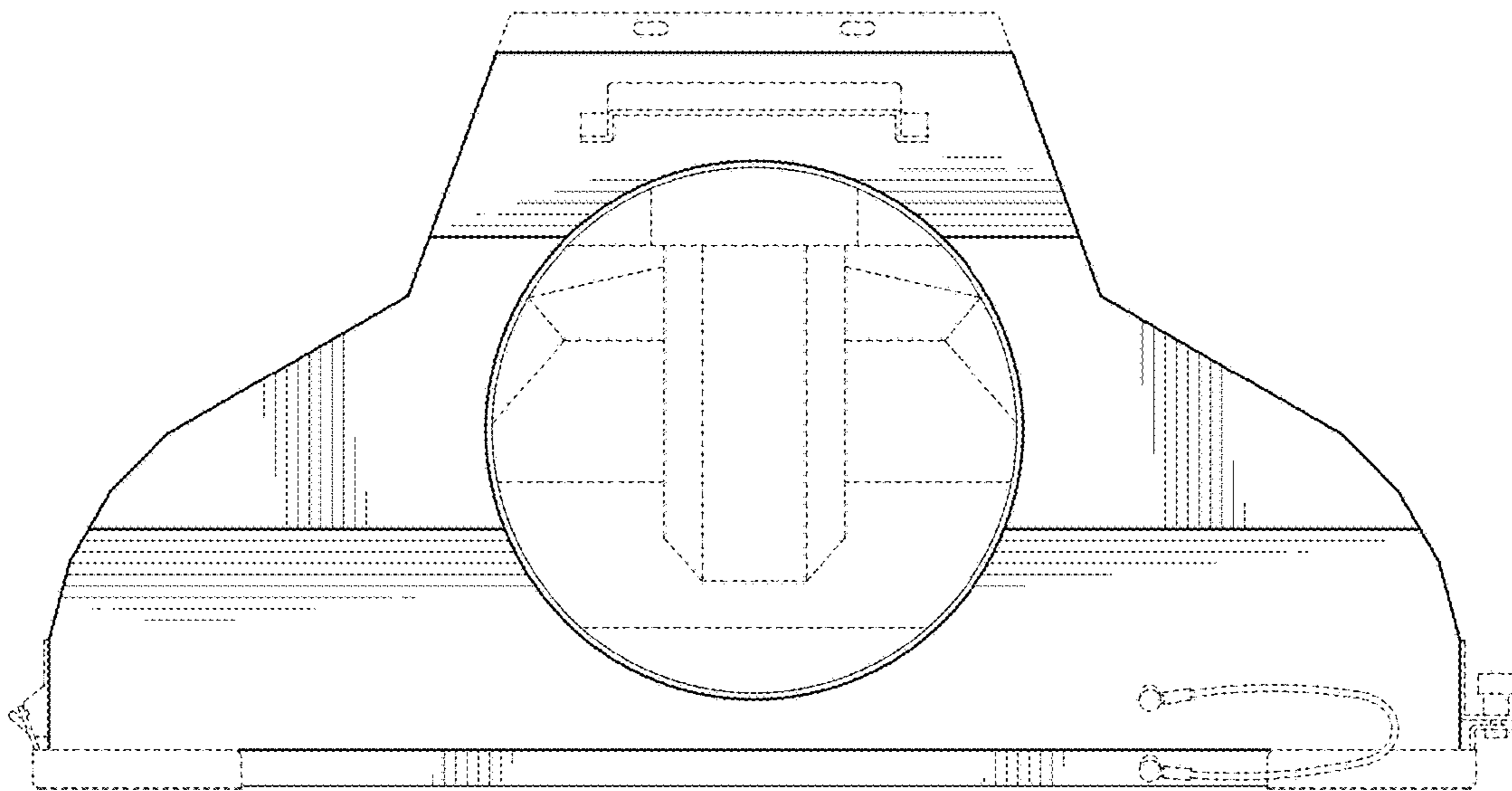


FIG. 6

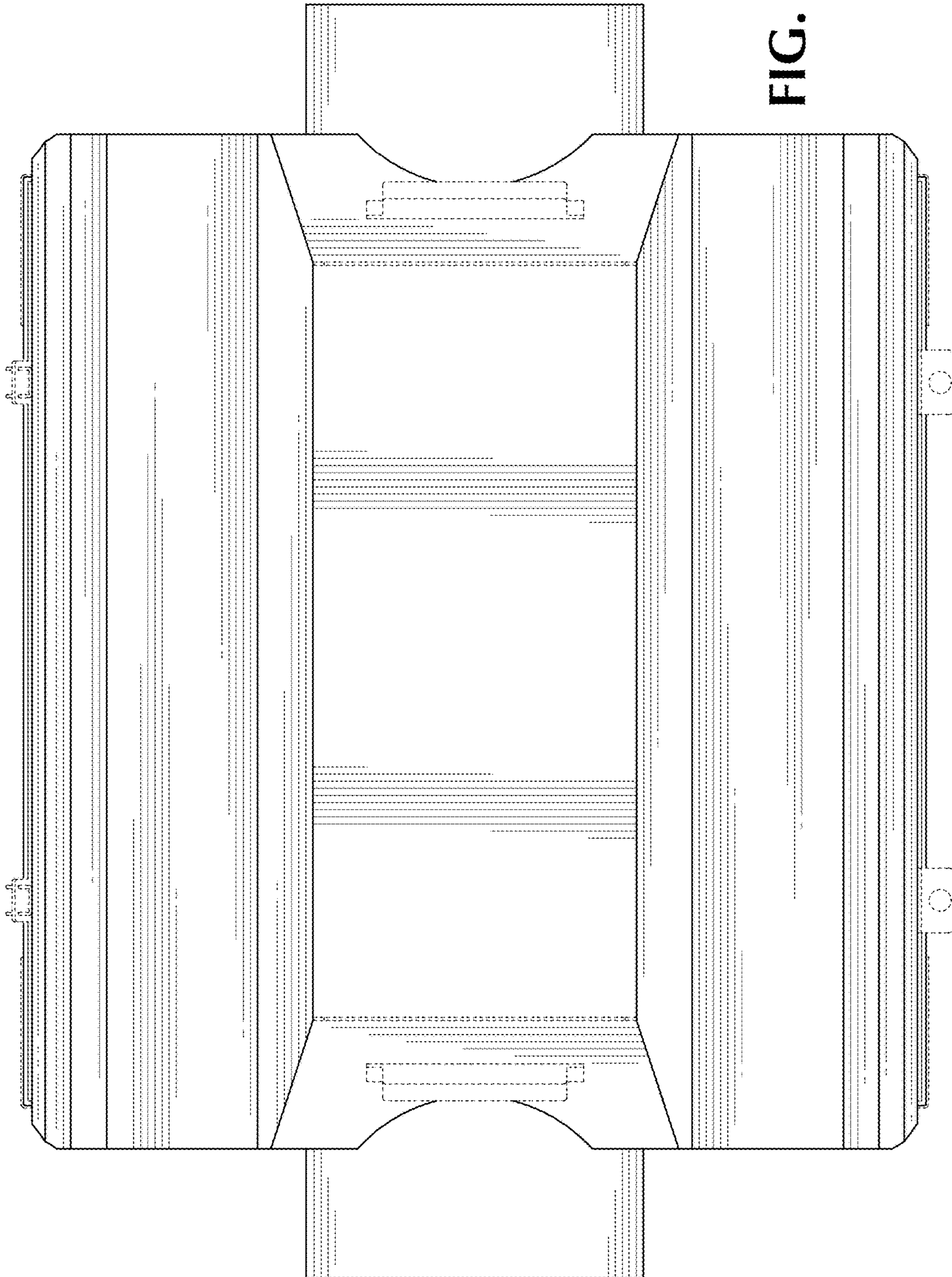


FIG. 7

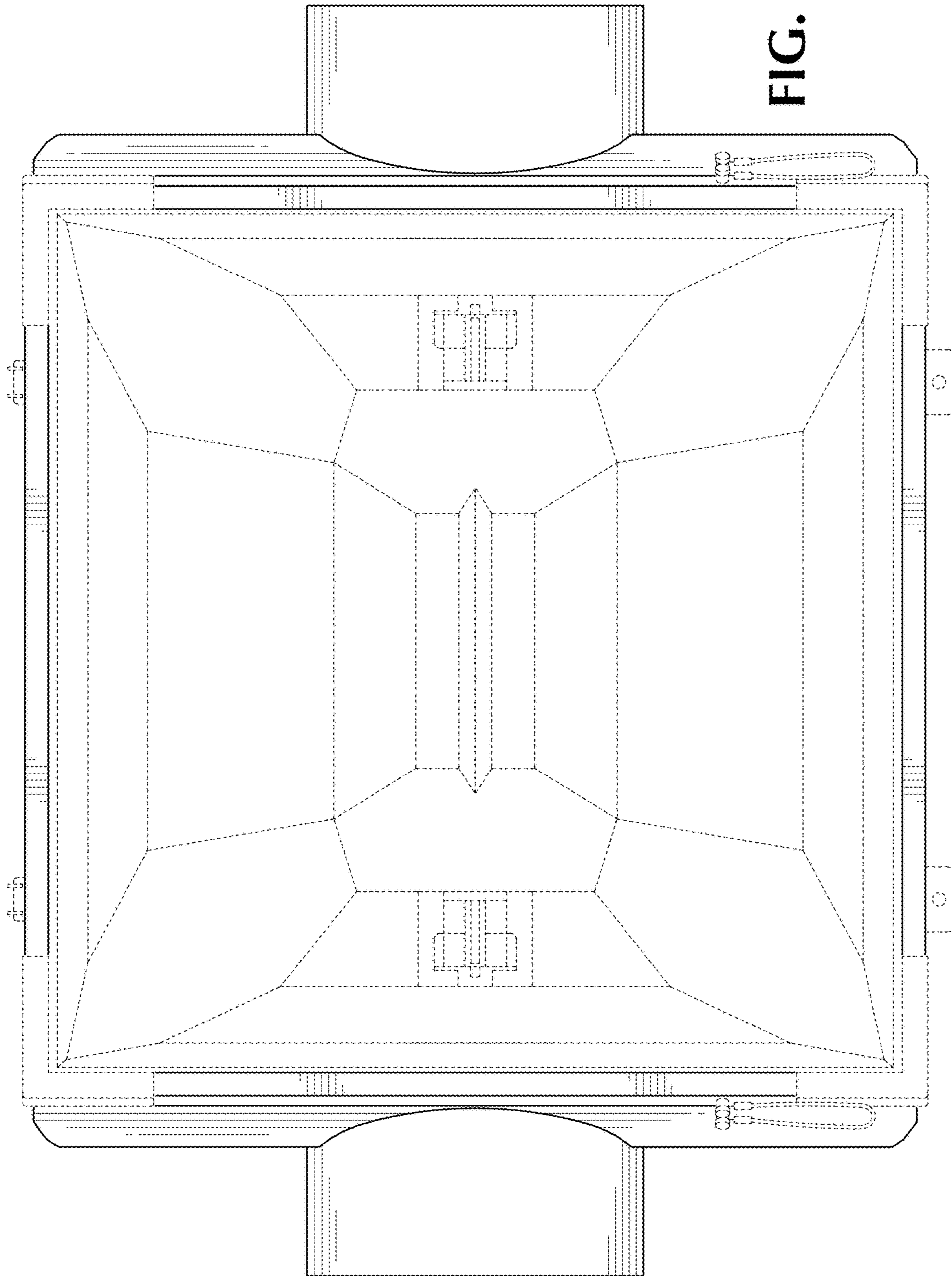


FIG. 8